

# EKKO

MATERIAL HANDLING EQUIPMENT.

**MOVING AHEAD**

## 3-WHEEL ELECTRIC FORKLIFT EK15A-189Li SERIES

- Load Capacity 3300 lbs.
- Lift Height 189"
- **Side-Shift**
- Free Lift 62.56"
- EPS (Elec. Power Steer)
- Overall Width 36.1" 106.6" Length
- Curtis Controller
- Tilt 2/5 degree
- Mast Height 83.54 in.
- Overhead Guard 77.95 in.
- Batteries & Charger
- Lithium-Ion Battery
- 3 Year Limited Warranty



## EK15A-189Li

Superior quality, maneuverable, compact, and durable for all your material handling applications. Ideal for small aisles and areas.

**WEIGHT CAPACITY:** 3300 lbs. @ 23.6" load center

**LIFT HEIGHT:** 189" (15.75 ft) 3 Stage

**SIDE-SHIFT**

**Forks:** 1.4" X 4" X 45"

**MAST LOWERED HEIGHT:** 83.54"

**"Works in a 9.5 ft aisle with standard pallets"**

**TURNING RADIUS:** 53.07

**FREE LIFT:** 62.56"

**TILT:** 2 degrees back/5 degrees forward

**LITHIUM BATTERY / CHARGER:** 24 Volt with 110 plug in

**SPEED TRAVEL:** 4.47 mph empty; 3.85 mph loaded

**LIFTING SPEED:** 215 mm/s empty; 135 mm/s loaded

**LOWERING SPEED:** 225 mm/s empty; 238 mm/s loaded

**DRIVE WHEELS:** Cushion Traction 9.8" X 5"

**Rear Wheel:** Cushion Traction 9.8" X 5"

**REAR SINGLE DRIVE MOTOR:** 1.7kw

**AC CURTIS CONTROLLER:** With "Safety Diagnostic Self Check" on electrical system before operating unit.

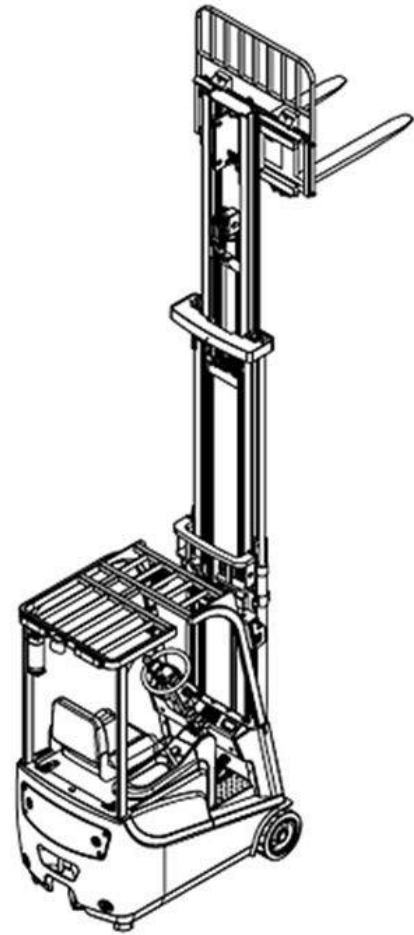
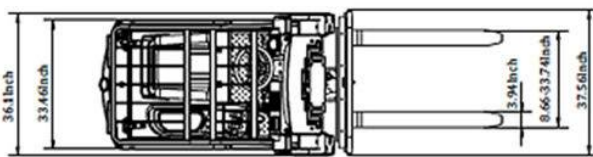
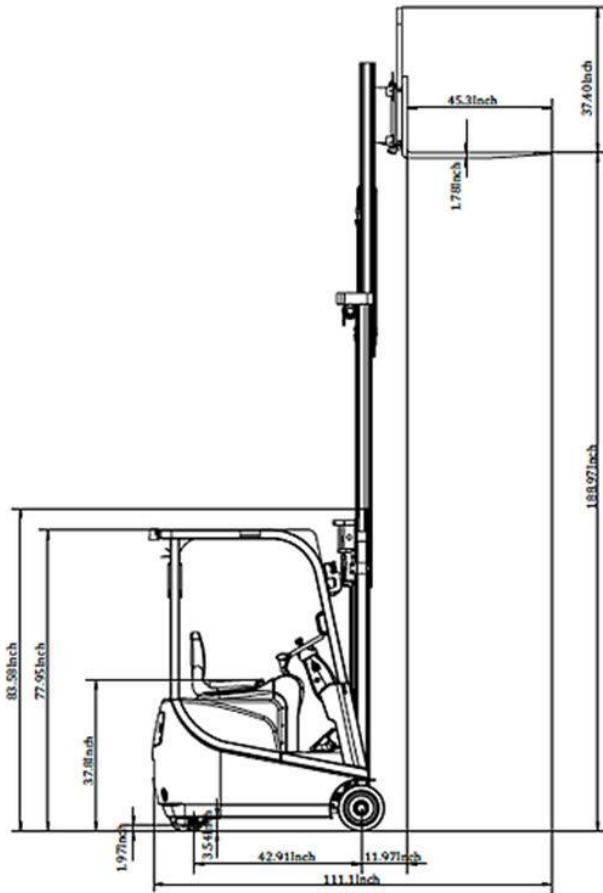
**LIGHTING:** LED Head lights, Brake lights, Strobe light and Pedestrian blue light.

**OPERATOR CONTROLS:** EPS (Electric Power Steering), tilt lifting, lowering, side shifting forks, horn functions are in the ergonomic operator compartment; Led lighting. Complete digital display, with digital battery discharge indicator. rear mirror, and fire extinguisher

**CHASSIS AND MAST:** Robotic Welding; Heavy duty steel chassis with I-beam mast for durability; Telescoping mast.



# 3-Wheel Electric Forklift



MODEL #	MAST	LIFT HEIGHT	MAX MAST HEIGHT	TOTAL LENGTH	SERVICE WEIGHT
EK15A-189Li	83.54"	189"	226.34"	111.1"	5560 lbs.