



Parts Manual

**Electric Stacker - EB13C Series
118/138/98LI/118LI/138LI/145LI**



Instructions for use

Please read this manual carefully and operate the vehicle safety.

- Do not operate this vehicle without training.
- Please comply with ISO3691 “Safety Specification for Motor Vehicles Industry”.
- Please do not modify or change the repair parameters, including adjusting the pressure. Any loss or damage to the vehicle resulting from such actions will be your responsibility, and doing so will void our warranty commitment.

SPECIAL WARNING:

The company is committed to innovation and sustainable development. As part of this commitment, we continually improve the technology of our products. Therefore, we reserve the right to make changes and improvements to any product described in this specification without prior notice.

1. Tiller system

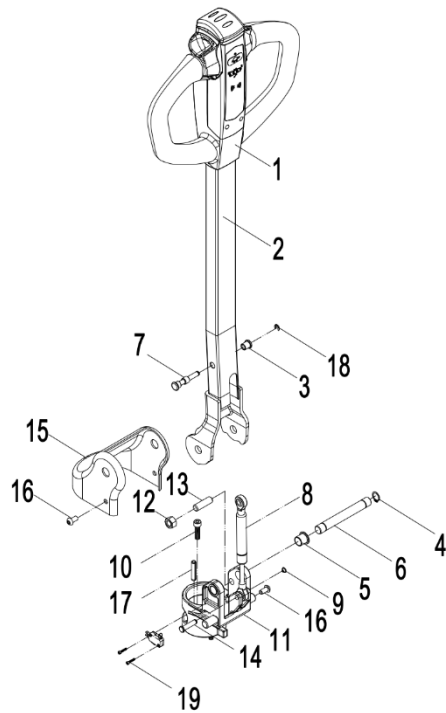


Figure1

No.	CODE	Figure No.	Name	Qty	Remarks
1	11003000017	DQ131601006	Electronic handle	1	
2	72003001208	QDA1502E0321100	Handle	1	
3	72003001207	QDA1502E0320003	Shaft sleeve	1	
4	22600900003	GB894.1	retaining ring 16	2	
5	2310050000001	SF-1-16170	Flanged composite bushing	2	
6	72003000116	QDA12E-10004	Handle pin	1	
7	72003001206	QDA1502E0320002	pin	1	
8	72009040039	QDA1502E0320001	Gas spring	1	
9	22600900011	GB894.1	retaining ring 8	1	
10	22101600036	GB70.1	Screw M8×30	4	
11	7200600000135	QDA10EL-0300001	Steering coupling seat	1	
12	22400300006	GB6170	Nut M12	1	
13	22102600012	GB77	Screw M12×40	1	
14	72003000301	SP150-03002	Pin shaft 8 x 35	1	
15	75000400091	QDA12E-53000	Steering seat cover	1	
16	22101700008	GB70.2	Screw M8×16	2	
17	22800700022	GB879.1	Elastic cylindrical pin 8×40	1	
18	22601100002	GB896	Open stop ring 6	1	
19	22101600006	GB70.1	Hexagonal cylindrical head screw M3×16	2	

2. Drive system

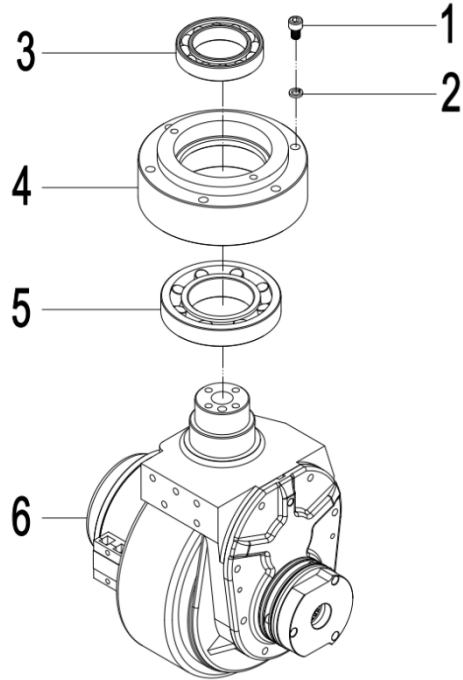


Figure2

No.	CODE	Figure No.	Name	Qty	Remarks
1	22101600036	GB70.1	Screw M8×30	6	
2	22501200004	GB93	Spring Cushion 8	6	
3	23000100002	GB276	Bearing 6010	1	
4	72004000048	QDA12E-20003A	Bearing block	1	
5	2300050000011	GB297	Bearing 32012	1	
6	71003000080	QBA15-02001	Drive assembly	1	

Table2-1

3. Drive assembly

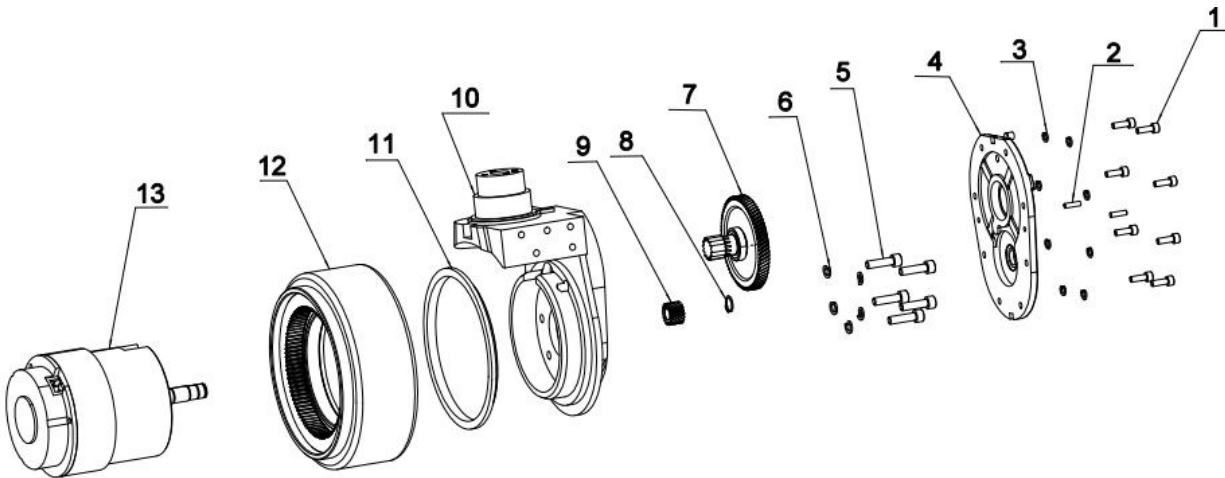


Figure3

No.	CODE	Figure No.	Name	Qty	Remarks
1	22101600154	GB/T70.1	Hex socket screw M6x18	1	
2	40000000522	QBA15-08001	Cylindrical pin $\Phi 5 \times 18$	2	
3	2250140000007	GB/T859	Spring washer $\Phi 6$	8	
4	40000000523	QBA15-08002	Gear box cover	1	
5	22101600036	GB/T70.1	Hex socket screw M8 \times 30	5	
6	22501400004	GB/T859	Spring washer $\Phi 8$	5	
7	40000000524	QBA15-08003	Gear shaft and helical gear assembly	1	
8	22600900020	GB/T894.1	Retaining ring $\Phi 15$	1	
9	40000000525	QBA15-08004	Helical gear	1	
10	40000000526	QBA15-08005	Reducer housing	1	
11	40000000527	QBA15-08006	Oil seal 155*173*8.5 OTC	1	
12	40000000528	QBA15-08007	Driving wheel $\Phi 210 \times 75$	1	
13	40000000529	QBA15-08008	Motor 750W	1	

Table3-1

4. Balance wheel

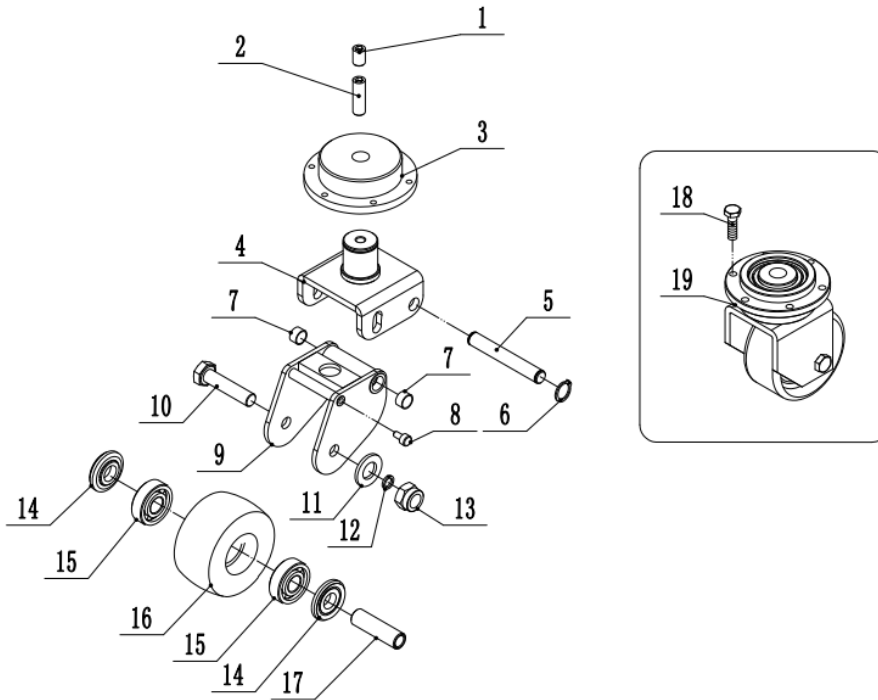


Figure4

No.	CODE	Figure No.	Name	Qty	Remarks
1	22102600013	GB77	Screw M16×18	1	
2	22102600014	GB77	Screw M16 x 50	1	
3	23009900001	QBA20B-02083	bearing	1	
4	8D057006001	QBA20B-02087	Upper seat assembly	1	
5	72003000128	QBA20B-02088	pin	1	
6	22600900010	GB894.1	Retaining ring 12	1	
7	23100100003	SF-1-1210	Composite bushing	2	
8	22101600024	GB70.1	Screw M6x10	2	
9	8D057005001	QBA20B-02086	Lower seat assembly	1	
10	22000300030	GB5782	Bolt M14 x 110	1	
11	22500100009	GB97.1	Plain washer 14	1	
12	22501200007	GB93	Standard spring washer 14	1	
13	22403000011	GB889.1	Nut M14	1	
14	75000300030	QBA20B-02091	Dust ring pad	2	
15	23000100010	GB276	Bearing 6304	2	
16	7100300000103	QBA-04026	Universal wheel	1	
17	7200400000412	QBA20B-02090	liner	1	
18	22101600034	GB70.1	Screw M8×20	6	
19	8D19400100001	QDA10EL-1701000	Balance wheel assembly	1	

Table4-1

5. Hydraulic system

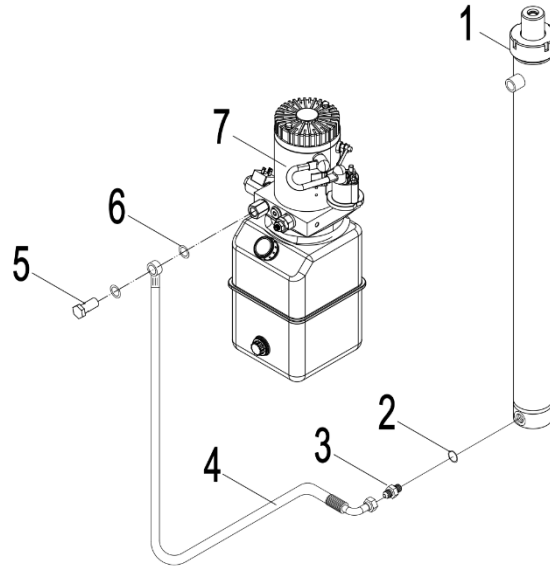


Figure5

No.	CODE	Figure No.	Name	Qty	Remarks
1	73007000291	QDA1502E122510 0	2.5m cylinder assembly	1	
	73007000292	QDA1502E123010 0	3.0 m cylinder assembly	1	
	73007000294	QDA1502E123510 0	3.5m cylinder assembly	1	
2	21001100002	JB982	Combined washer 14	1	
3	73006000044	BDA-03021	Flaring type fittings	1	
4	73004000059	BDA-00026	High pressure oil pipe	1	
5	73006000019	BDA-00020	Outlet connection	1	
6	21001100003	JB982	Combined washer 16	1	
7	73002000110	QDA1502E120020 1	Hydraulic station 24V/2.2KW	1	

Table5-1

6. Frame system

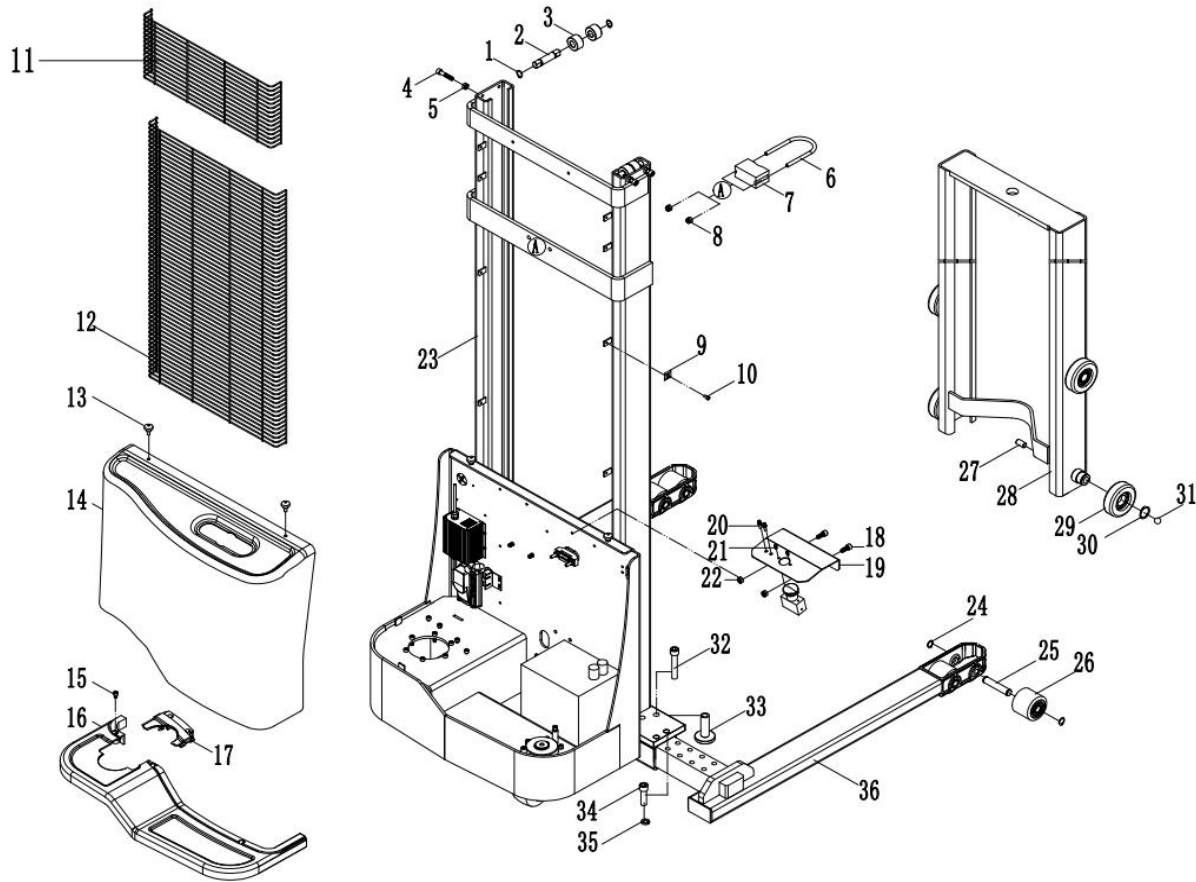


Figure6

No.	CODE	Figure No.	Name	Qty	Remarks
1	22600900002	GB894.1	retaining ring 20	4	
2	72003000404	QDA15EM8200001	Side roller axle 20×97	2	
3	71003000037	BDA-00030	Side roller 43 x 25	4	
4	22101600049	GB70.1	Hexagonal cylindrical head screw M10×50	4	
5	22400300005	GB41	Hexagon nut M10	4	
6	72007000016	BDA-00003	Cylinder cling	1	
7	75000100024	BDA-00034B	Rubber pad	1	
8	22403000008	GB889.1	Lock nut M10	2	
9	72002000191	BDA-00001	Fixed climb	6	
10	22101600087	GB70.1	Screw M6x16	6	
11	79000500009	BDA-00004-224	grid	1	
12	79000500009	BDA-00004-512	Grid 2.5 m	1	
	79000500009	BDA-00004-752	Grid 3.0 m	1	
	79000500009	BDA-00004-1008	Grid 3.5 m	1	

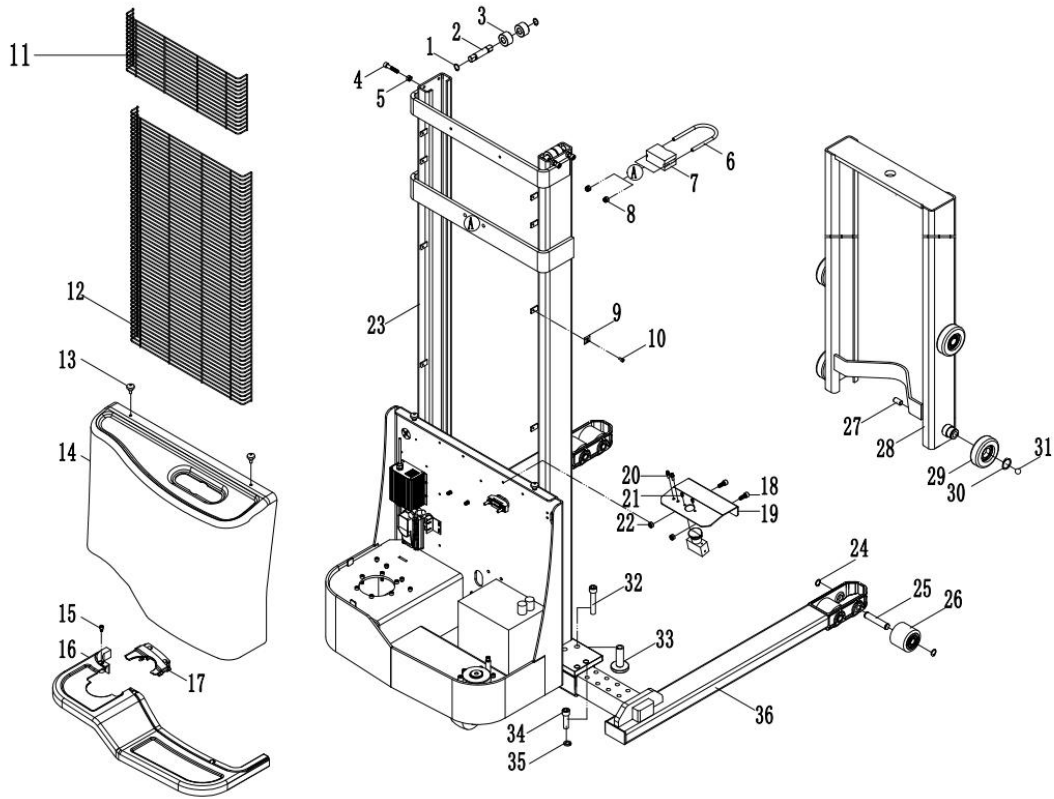
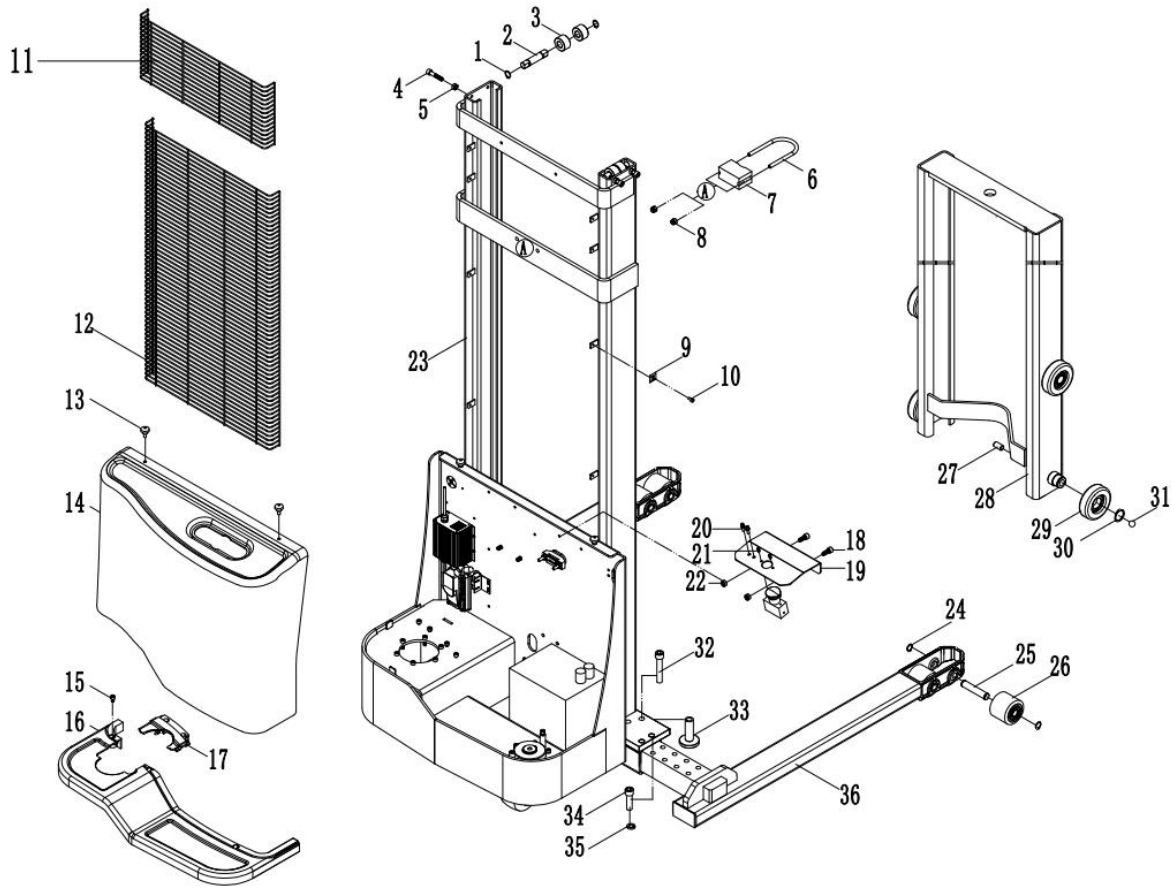


Table6-2

No.	CODE	Figure No.	Name	Qty	Remarks
13	7200800001	P15S0400002A	Knurled screw M8×18	2	
14	75000400123	QDA1502E0910000	Rear housing	1	
15	22101600032	GB70.1	Hexagonal cylindrical head screw M8×12	5	
16	75000400124	QDA1502E0920000	Bottom housing	1	
17	75000400125	QDA1502E0930000	Small bottom cover housing	1	
18	22000400020	GB5783	Bolt M10 x 25	2	
19	72002005266	QDA1502E1370002	Instrument desk	1	
20	11000100029		Pilot lamp	2	
21	22101700001	GB70.2	Screw M5×12	2	
22	22403000008	GB889.1	Hexagon lock nut M10	2	
23	8D242000007	QDA-ELS0412500 240509	Frame 2.5 m	1	
	8D242000008	QDA-ELS0413000 240509	Frame 3.0 m	1	
	8D242000009	QDA-ELS0413500 240509	Frame 3.5 m	1	
24	22600900002	GB894.1	Retaining ring 20	8	
25	72003000405	SDA-00001	Double slot pin	4	



No.	CODE	Figure No.	Name	Qty	Remarks
26	8D05100100007	QDA12E-00030	Fork wheel 80×70	4	
27	22102600027	GB77	Screw M16×30	2	
28	8D032003015	BDA-06125	Inner frame 2.5 m	1	
	8D032003016	BDA-06130	Inner frame 3.0 m	1	
	8D032003018	BDA-06135	Inner frame 3.5 m	1	
29	8D031011001	BDA-06010	Pulley assembly 106	4	
30	22600900007	GB894.1	Retaining ring 35	4	
31	23001800010	GB308	Steel ball Φ19.05	2	
32	22101600080	GB70.1	Screw M16×80	2	
33	72005000167	BDA-S-04002	Standing leg	2	
34	22101600088	GB70.1	Screw M16×45	8	
35	22501200008	GB93	Spring pad 16	8	
36	8D242000010	QDA-ELS0400220 240509	Left leg	1	
	8D242000011	QDA-ELS0400210 240509	Right leg	1	

Table6-3

7. Fork wheel assembly

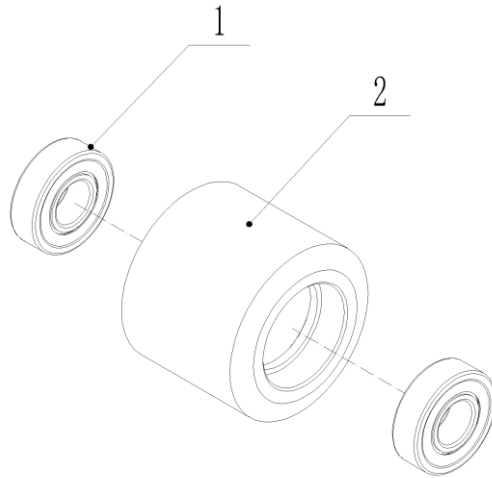


Figure7

No.	CODE	Figure No.	Name	Qty	Remarks
1	23000100001	GB276	Bearing 6204	2	
2	8D05100100008	QDA12E-00031	Polyurethane wheel $\Phi 80 \times 70$	1	

Table7-1

8. Sprocket shaft assembly

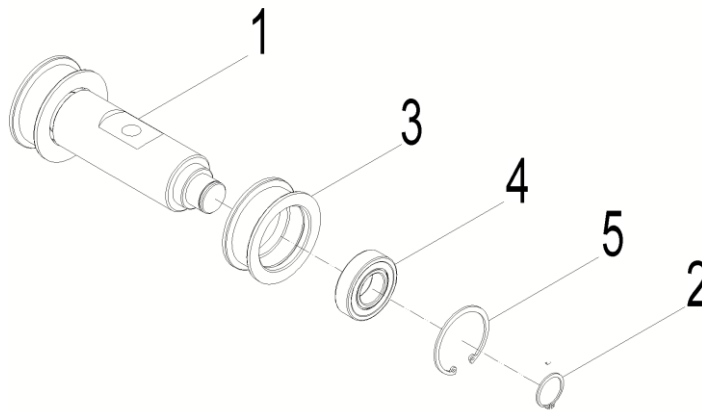


Figure8

No.	CODE	Figure No.	Name	Qty	Remarks
1	72003001209	QDA1502E8200011	Sprocket shaft	1	
2	22600900008	GB894.1	Retaining ring 30	2	
3	71004100002	BDA-03032	Sprocket wheel	2	
4	23000100006	GB276	Bearing 6206	2	
5	22600700019	GB894.1	Hole retaining ring 62	2	

Table8-1

9. Lifting platform

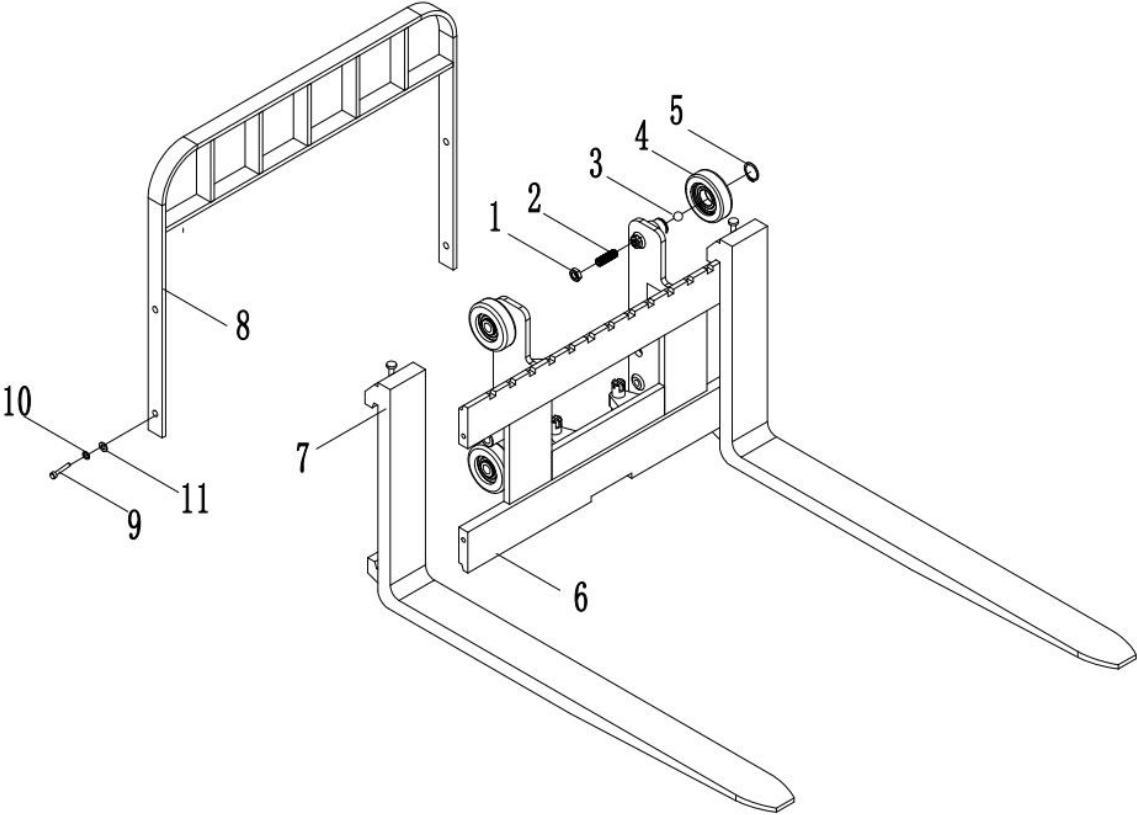


Figure9

No.	CODE	Figure No.	Name	Qty	Remarks
1	22400700002	GB6172.1	Nut M10	4	
2	22102600014	GB77	Screw M16 x 50	4	
3	23001800010	GB308	Steel ball φ19.05	4	
4	8D031011001	BDA-06010	Pulley assembly 106	4	
5	22600900007	GB894.1	Retaining ring 35	4	
6	8D062000011	QDA12ES-07120	Double forging lift platform	1	
7	7200200000958	BOA-00100-107	Forging fork 1150	1	
8	8D102006053	QPA13028280010 240509	Stop rack 705	1	
9	22000400004	GB5783	Hexagon head bolt M12×25	4	
10	22501200006	GB93	Spring washer 12	4	
11	22500100008	GB97.1	Flat washer 12	4	

Table9-1

10. Gantry pulley

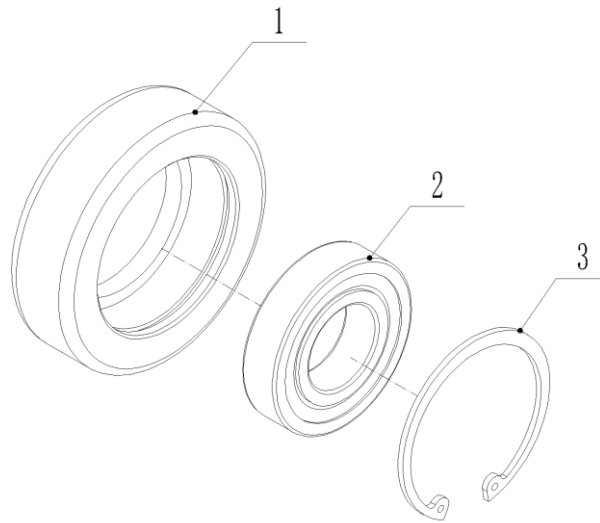


Figure10

No.	CODE	Figure No.	Name	Qty	Remarks
1	71004000004	BDA-06007	pulley	1	
2	23000100005	GB276	Bearing 6207	1	
3	22600700004	GB893.1	Hole retaining ring 72	1	

Table10-1

11. Chain



Figure11

No.	CODE	Name	Qty	Remarks
1	7100420000040	2.5m chain LH0846 147 knots	2	
	23200300026	3.0 m chain LH0846 167 knots	2	
	23200300027	3.5m chain LH0846 189 knots	2	

Table11-1

12. Lead-acid battery

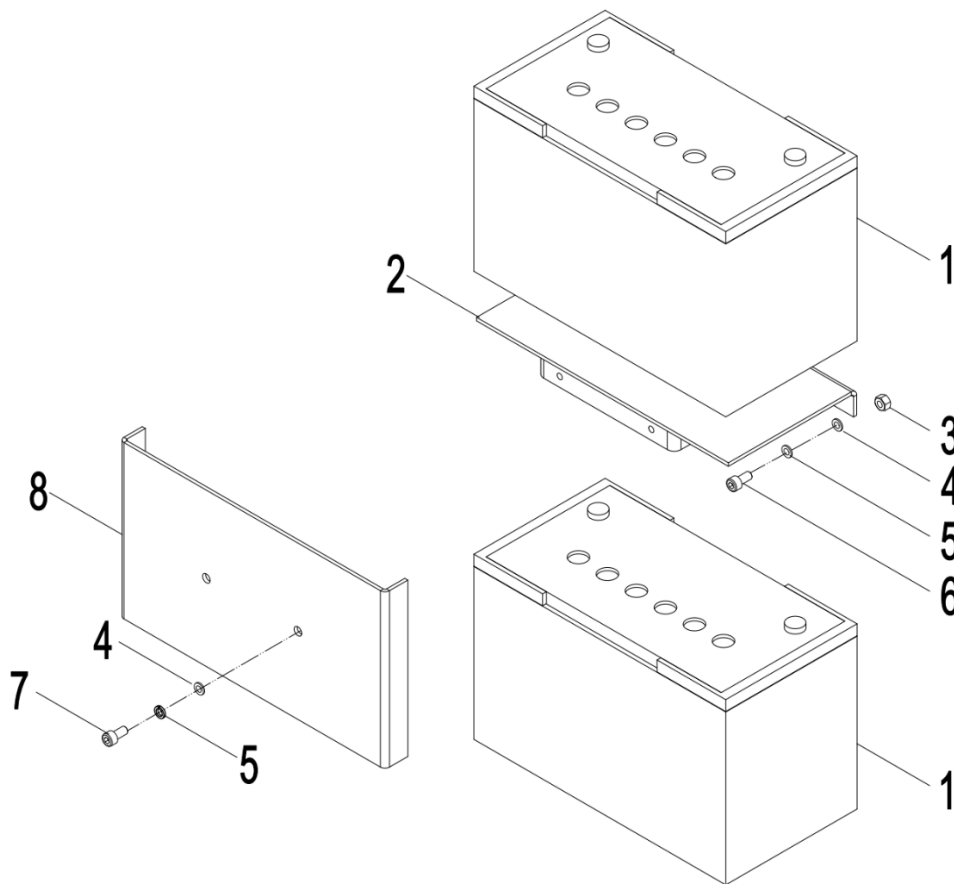


Figure12

No.	CODE	Figure No.	Name	Qty	Remarks
1	11009000034	QDA15EM138010 2	Battery 12V85Ah	2	
	8D057009001	QDA12E-00010A	85Ah battery holder	1	
2	22400300003	GB6170	Nut M8	2	
3	22500100006	GB97.1	Flat Washer 8	4	
4	22501200004	GB93	Spring Cushion 8	4	
5	22101600035	GB70.1	Screw M8×25	2	
6	22101600034	GB70.1	Screw M8×20	2	
7	8D0570100000 2	QDA12E-00003A	Battery cap	1	

Table12-1

13. Electrical system

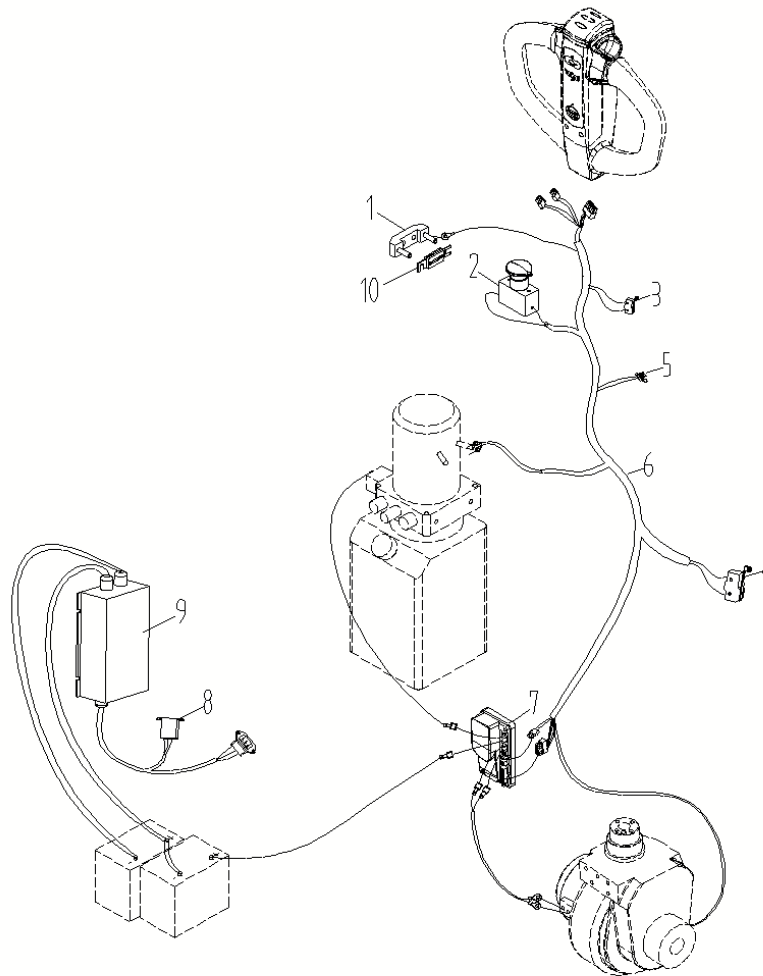


Figure13

No.	CODE	Figure No.	Name	Qty	Remarks
1	15000900012	QBA15-1350007	Fuse holder	1	
2	11006000038	BBM-1340003	Scram button	1	
3	11006000022	QDA12E-1340002	microswitch	1	
4	11006000021	QBA15-1340003	microswitch	1	
5	15000900020		Fuse 10A	1	
6	1200000000147	QDA10EL-1321000	Body harness	1	
7	11007000030	DQJ130201004	controller	1	
8	15000600002	QBQ-08052	relay	1	
9	11009100058	QDA10EL-1351000	Built-in charger	1	
10	15000900011	QBA15-1350003	Fuse 100A	1	

Table13-1

Cylinder repair kit					
No.	CODE	Figure No.	Name	Qty	Remarks
1	21000300007	DHS35	Dust ring 35 x 43 x 5/6.5	1	
2	21000400003	UHS40	Seal ring 40×50×6	1	

List of wearing parts					
No.	CODE	Figure No.	Name	Qty	Remarks
1	2310050000001	SF-1-16170	Flanged composite bushing	2	Tiller system
2	72009040039	QDA1502E03200 01	Gas spring	1	
3	23000100002	GB276	Bearing 6010	1	Drive system
4	2300050000011	GB297	Bearing 32012	1	
5	23100100003	SF-1-1210	Composite bushing	2	Universal wheel
6	7100300000103	QBA-04026	Universal wheel	1	
7	21001100002	JB982	Combined washer 14	3	Hydraulic system
8	21001100003	JB982	Combined washer 16	2	
9	8D0510010000 7	QDA12E-00030	Fork wheel pressure bearing 80×70	2	Frame system
10	23000100001	GB276	Bearing 6204	1	Fork assembly
11	8D0510010000 8	QDA12E-00031	Polyurethane wheel Φ80×70	1	
12	23000100006	GB276	Bearing 6206	2	Shaft assembly
13	71004000004	BDA-06007	pulley	1	
14	23000100005	GB276	Bearing 6207	1	
15	15000900020		Fuse 10A	1	Electrical element
16	15000600002	QBQ-08052	relay	1	
17	1100910000049	QDA10EL- 1351000	Built-in charger	1	
18	15000900011	QBA15-1350003	fuse 100A	1	