

EKKO

MATERIAL HANDLING EQUIPMENT

MOVING **AHEAD**

WALKIE STRADDLE STACKER EB12E Series

- 2640-lbs. Capacity
- 119.4" to 138 in. Lift Height
- Narrow Aisles 7 ft.
- Adjustable Legs 45.7-59.1 in.
- Adjustable Forks 8.3-33.5 in.
- Batteries and Charger Included
- 3 Year Limited Warranty



EB12E SERIES

Superior quality, maneuverable, compact, and durable for all your material handling applications. Ideal for small aisles and areas.

WEIGHT CAPACITY: 2640-3000 lbs. @ 24" load center

LIFT HEIGHT: 119.4" to 138" (9.95 ft. to 11.5 ft.)

FORK LENGTH: 45.3"

ADJUSTABLE OUTRIGGERS: 45.7" TO 59.1"

ADJUSTABLE FORKS: 8.3" TO 33.5"

MAST HEIGHT: 82" or 92"

TURNING RADIUS: 52.6"

INTEGRAL BATTERY / CHARGER: (2)12V 100AH, 24-volt deep cycle maintenance-free batteries with Internal direct connect 110A 110VAC plug-in automatic 24V/15A charger (both Included)

SPEED TRAVEL: 3.3 mph empty ; 3.0 mph loaded

LIFTING SPEED: 5.35 ips empty; 3.6 ips loaded

LOWERING SPEED: 3.85 ips empty; 4.4 ips loaded

DRIVE WHEELS: 9" x 3" polyurethane

STABILITY: 4" x 2" polyurethane

LOAD WHEELS: (2) 4" x 3" polyurethane per outrigger

HYDRAULICS LIFTING MOTOR: 24V 2200 Watt lifting motor with hardened chrome moly steel for durability.

DRIVE MOTOR: 24V 750Watt drive motor for efficiency and high torque.

AC CONTROLLER: 24V CURTIS Instrument provides performance through entire range of speed; Constant travel speed regardless of load; Battery discharge indicator combination gauge.

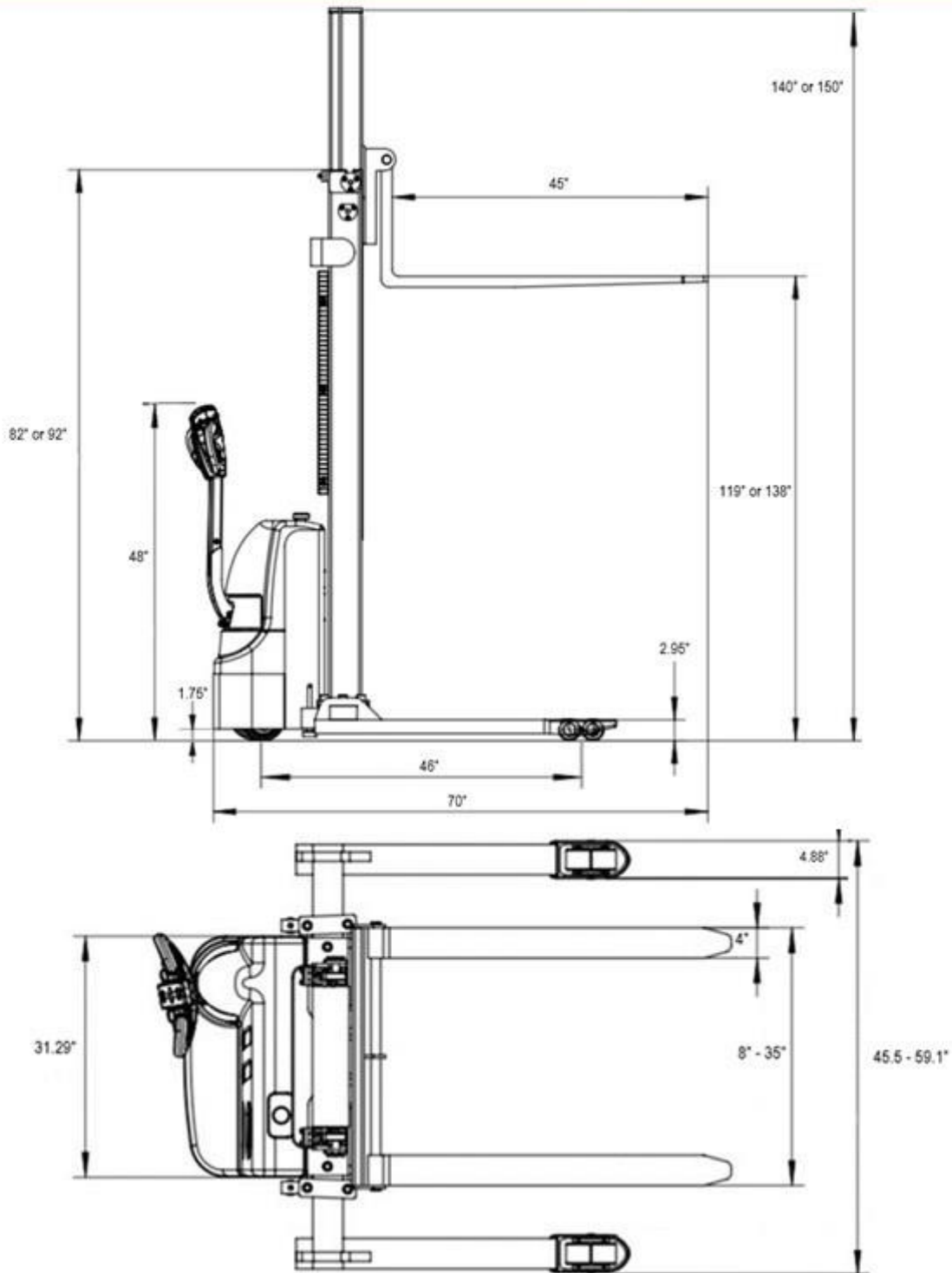
BRAKES: Electro-magnetic braking for secure stopping power; Electronic neutral braking for accurate control.

OPERATOR CONTROLS: Throttle, lifting, lowering, turtle mode and horn functions are located in the ergonomic handle; Offset steering handle to provide better visibility; Belly button reverse safety feature allows the unit to stop and reverse to avoid collision or injury.

CHASSIS AND MAST: Robotic Welding; Heavy duty steel chassis with I-beam mast for durability; Telescoping mast includes a protective steel guard.



Walkie Straddle Stacker



MODEL #	MAST	LIFT HEIGHT	SERVICE WEIGHT
EB12E	82"	119.4"	1420lbs
EB12E-138	92"	138"	1450lbs