



Parts Manual

Electric Straddle Stacker with Sidesift

EB14CS-118LI/138LI/145LI



Instructions for use

Please read this manual carefully and operate the vehicle safety.

- Do not operate this vehicle without training.
- Please comply with ISO3691 “Safety Specification for Motor Vehicles Industry”.
- Please do not modify or change the repair parameters, including adjusting the pressure. Any loss or damage to the vehicle resulting from such actions will be your responsibility, and doing so will void our warranty commitment.

SPECIAL WARNING:

The company is committed to innovation and sustainable development. As part of this commitment, we continually improve the technology of our products. Therefore, we reserve the right to make changes and improvements to any product described in this specification without prior notice.

1. Steering system (Code lock/magnet)

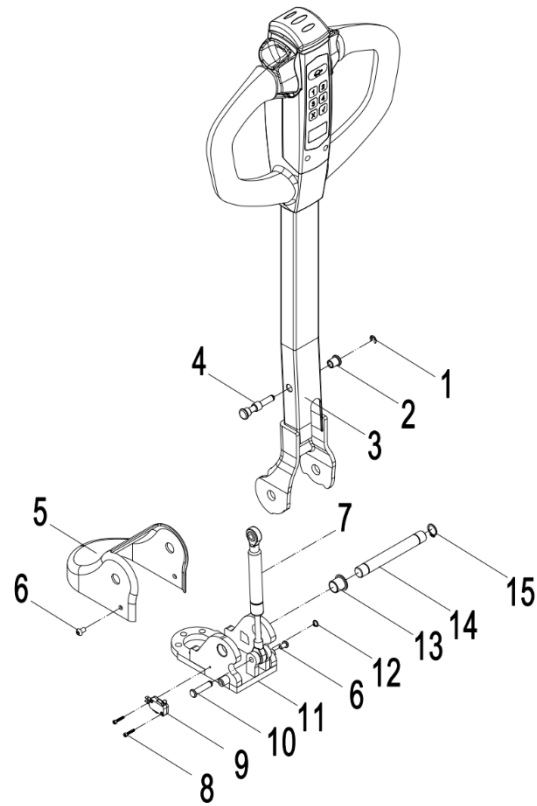


Figure1

No.	Code	Figure	Name	Qty	remarks
1	22601100002	GB896	Retaining ring 6	1	
2	72003001207	QDA1502E0320003	Shaft sleeve	1	
3	8D2810010000 1	QDB150301100	Tiller assembly	1	
4	72003001206	QDA1502E0320002	pin	1	
5	75000100121	QDB150901400	Steering seat cover (yellow RAL1037)	1	
	75000100146	QDB150901400	Steering seat cover (green RAL6018)	1	
6	22101700004	GB70.2	Screw M6x10	2	
7	72009040039	QDA1502E0320001	Gas spring	1	
8	22101600006	GB70.1	Hexagonal cylindrical head screw M3×16	2	
9	11006000022	QDA12E-1340002	microswitch	1	
10	72003000301	SP150-03002	pin	1	
11	8D282000001	QDB150301200	Handle seat	1	
12	22600900011	GB894.1	Retaining ring 8	1	
13	2310050000001	SF-1-16170	Bushing 16170	2	
14	72003001212	QDB150301001	Handle pin	1	
15	22600900003	GB894.1	retaining ring 16	2	

Table1-1

2. Handle assembly

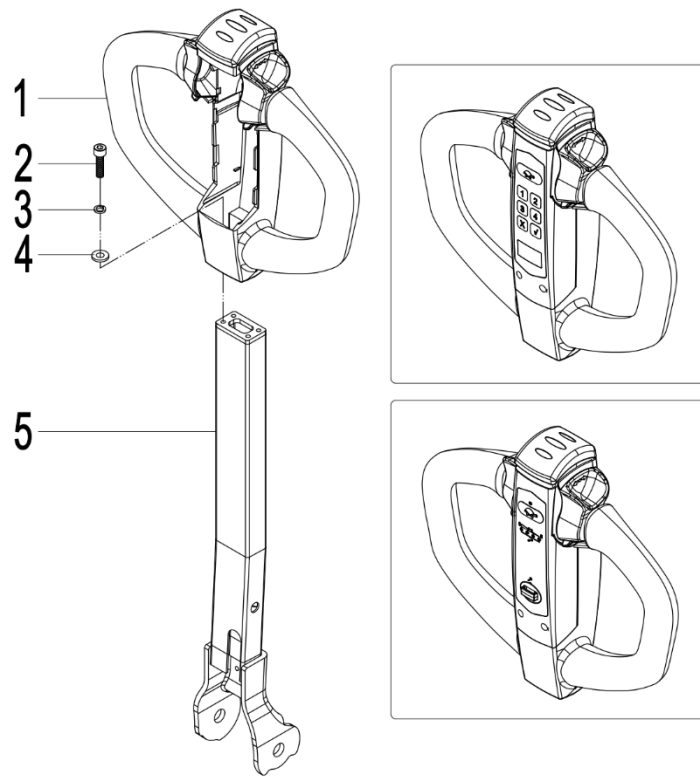


Figure2

No.	Code	Figure	Name	Qty	remarks
1	11003000017	DQ131601006	Electronic handle	1	magnet
2	22101600028	GB70.1	Hexagonal cylindrical head screw M6x20	4	
3	22501200003	GB93	Standard spring washer 6	4	
4	22500100005	GB97.1	Flat washer 6	4	
5	8D282000001	QDB150301200	Handle	1	

Table2-1

3. Transmission system

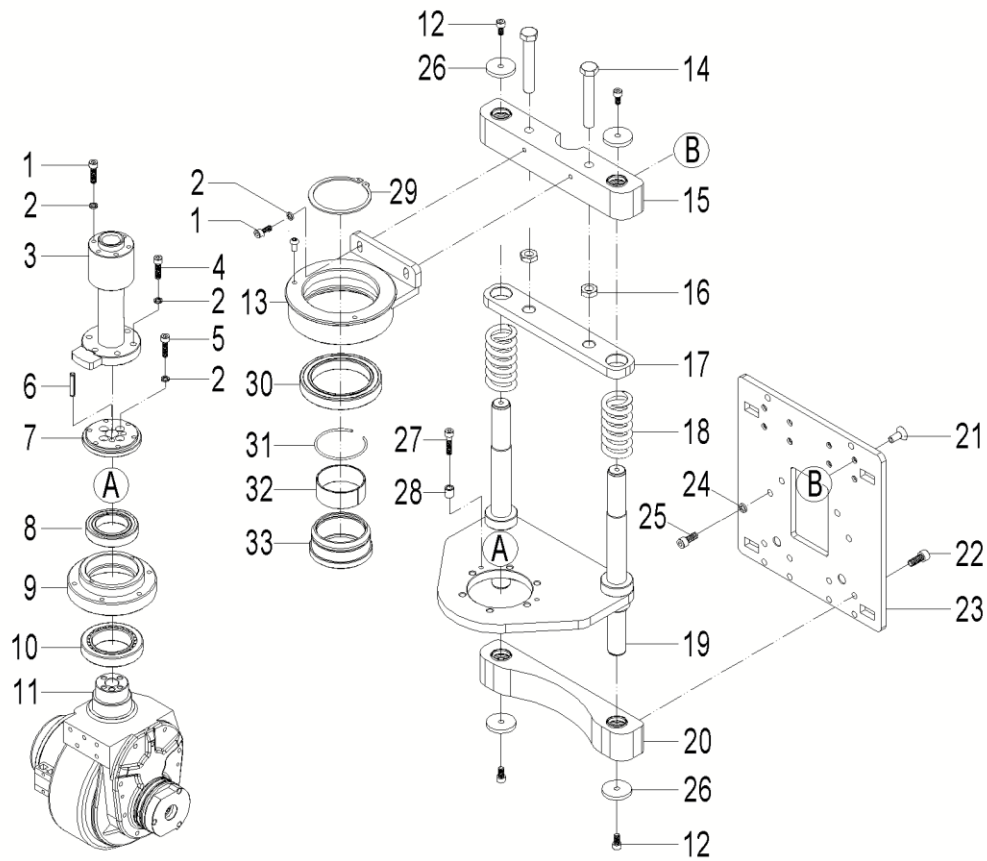


Figure3

No.	Code	Figure	Name	Qty	remarks
1	22101600034	GB70.1	Screw M8×20	6	
2	22501200004	GB93	Standard spring washer 8	6	
3	8D282000004	QDB150212000	Steering shaft	1	
4	22101600035	GB70.1	Screw M8×25	6	
5	22101600036	GB70.1	Screw M8×30	6	
6	22800700022	GB879.1	Spring pin 8×40	1	
7	72002005269	QDB150210003	Connecting plate	1	
8	23000100002	GB276	Bearing 6010	1	
9	72003001213		Bearing base	1	
10	2300050000011	GB297	Bearing 32012	1	
11	71003000080	QBA15-02001	Drive assembly	1	
12	22101600033	GB70.1	Hexagonal cylindrical head screw M8×16	4	
13	8D282000014	QDB150210010A	Support welding	1	
14	22000400050	GB5783	Hexagon head bolt M16 x 100	2	
15	72001006998	QDB150210020	Upper fixing block assembly	1	

Table3-1

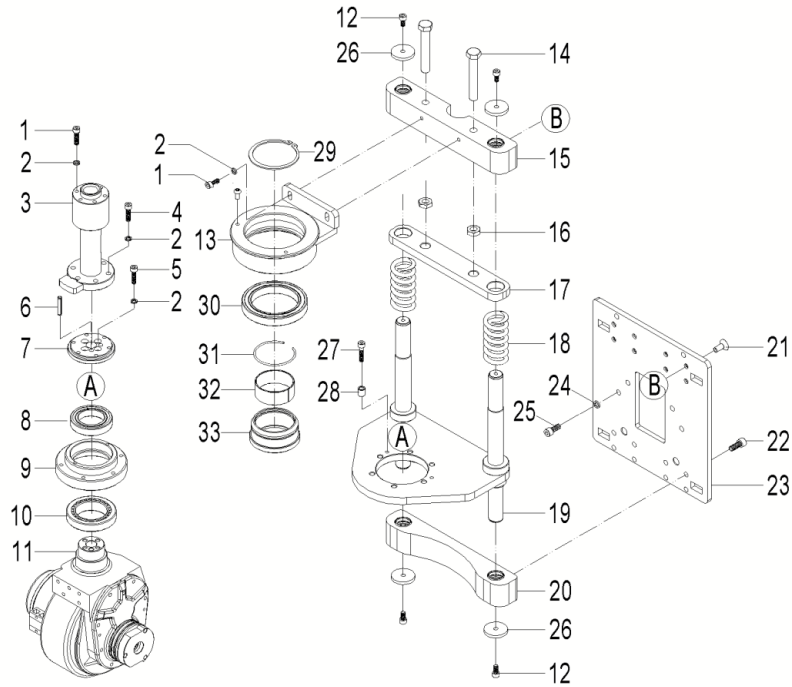


Figure3

No.	Code	Figure	Name	Qty	remarks
16	22400700005	GB6172.1	Thin hexagon nut M16	2	
17	72001006999	QDB150211002	Roof plate	1	
18	72009040040	QDB150211001	Floating spring	2	
19	8D283000001	QDB150211000	Floating cradle	1	
20	72001007000	QDB150210030	Lower fixing block assembly	1	
21	22101800012	GB70.3	Hexagonal countersunk head screw M10×25	8	
22	22101600045	GB70.1	Hexagonal cylindrical head screw M10×25	8	
23	8D282000003	QDB150212010	Mounting plate	1	
24	22501200005	GB93	Spring washer 10	6	
25	22101600115	GB70.1	Hexagonal cylindrical head screw M10×30	6	
26	72001000446	QBA-02006	Floating frame limit plate	4	
27	22101600037	GB70.1	Hexagonal cylindrical head screw M8×35	8	
28	72004001388	SP150-01013	cannula	2	
29	22600900041	GB894.1	Retaining ring 90	1	
30	230001000061	GB276	Bearing 61918-2Z	1	
31	2260120000016	GB895.1	Hole retaining ring 75	1	
32	23100100070	SF-1-7030	Bushing 70×75×30	1	
33	72004001418	QDB150210004	Upper support seat	1	

Table3-1

4. Upper and lower retaining block

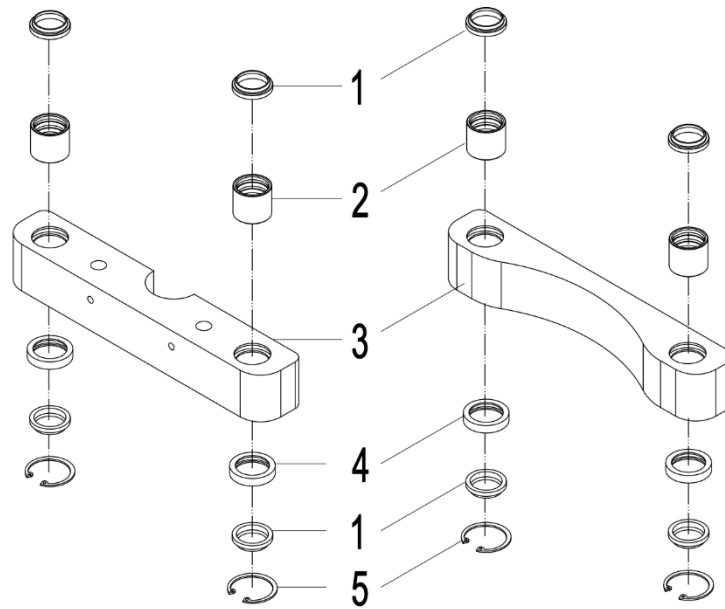


Figure4

No.	Code	Figure	Name	Qty	remarks
1	21000300006	DHS	Dust ring 28 x 36 x 6	4	
2	7500030000035	QDA15A-02010B	Support ring	2	
3	72001007001	QDB150210021	Upper retaining block	1	
	72001007002	QDB150210031	Lower retaining block	1	
4	72004000099	QDA15A-02013	Dust ring holder	2	
5	22600700017	GB 893.1	Hole retaining ring 40	2	

Table4-1

5. Balance wheel

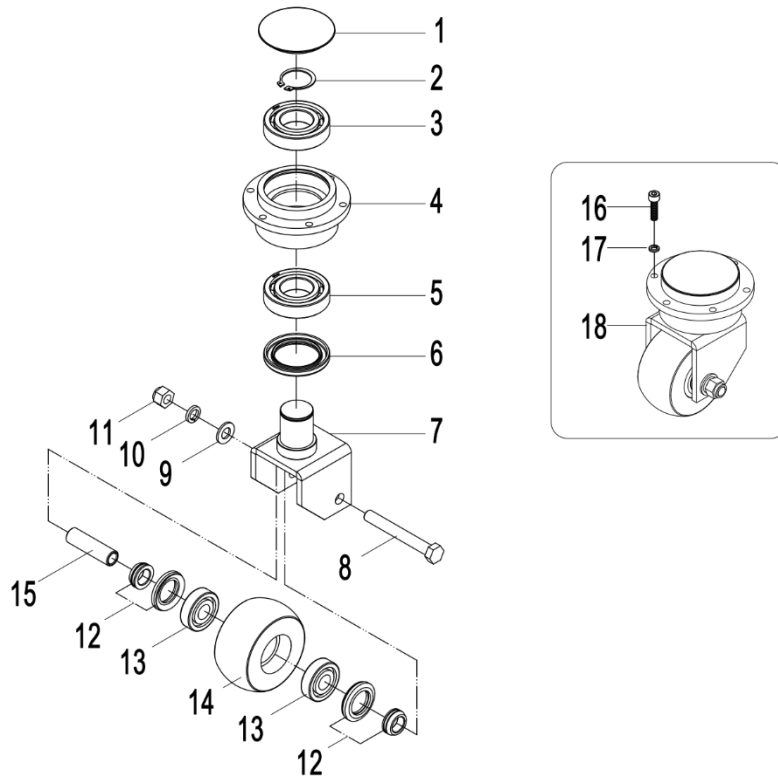


Figure5

No.	Code	Figure	Name	Qty	remarks
1	75000300104		Capping	1	
2	22600900005		Retaining ring 40	1	
3	23000100008		Bearing 6208	1	
4	105030293		Universal wheel outer ring	1	
5	2300060000003		Bearing 7208B	1	
6	2100040000040		Lip sealing ring B55×80×8	1	
7	6600000000021		Steering wheel frame	1	
8	22000300006		Bolt M14 x 110	1	
9	22500100009		Flat pad 14	1	
10	22501200007		Spring pad 14	1	
11	22403000011		Nut M14	1	
12	75000300030		Dust ring pad	2	
13	23000100010		Bearing 6304	2	
14	7100300000103		Universal wheel	1	
15	72004000334		Tube axis	1	
16	22101600035	GB70.1	Screw M8×25	6	
17	22501200004	GB93	Spring Cushion 8	6	
18	71003000042	QBA-04050	Universal wheel assembly	1	

Table5-1

6. Hydraulic system

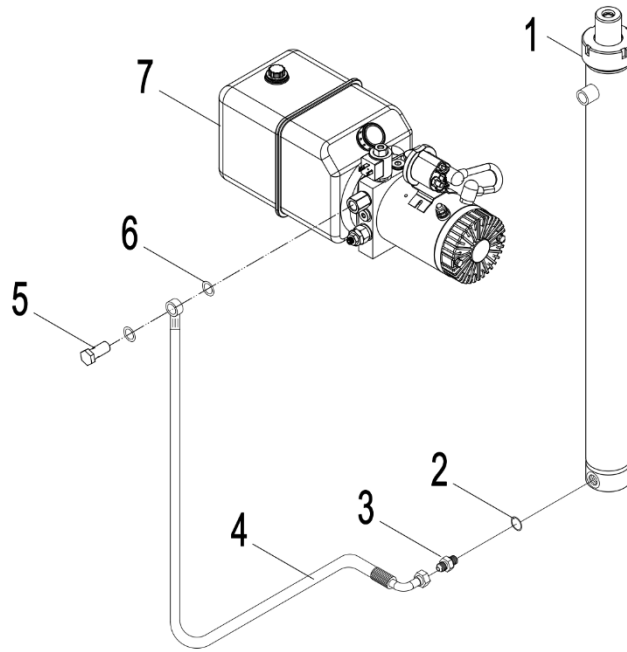


Figure6

No.	Code	Figure	Name	Qty	remarks
1	73007000291	QDA1502E1225100	2.5m cylinder assembly	1	
	73007000292	QDA1502E1230100	3.0 m cylinder assembly	1	
	73007000294	QDA1502E1235100	3.5m cylinder assembly	1	
	73007000295	QDA1502E1237100	3.7 m cylinder assembly	1	
2	21001100002	JB982	Combined washer 14	1	
3	73006000044	BDA-03021	Flaring type fittings	1	
4	73004000059	BDA-00026	High pressure oil pipe	1	
5	73006000019	BDA-00020	Outlet connection	1	
6	21001100003	JB982	Combined washer 16	1	
7	73002000107	QDB151200100	Hydraulic power station	1	

Figure6-1

7. Oil cylinder

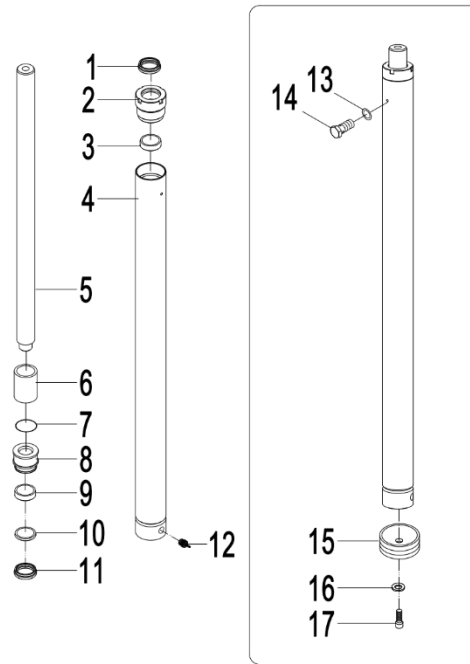


Figure7

No.	Code	Figure	Name	Qty
1	21000300007	DHS35	Dust ring 35 x 43 x 5/6.5	1
2	72003001210	QDA1502E1200104	Cylinder cover	1
3	21000800010	QDA1502E1200108	Guide belt 20×2.5	1
4	8D052000038	QDA1502E1225110	Cylinder welded 2.5 m	1
	8D052000039	QDA1502E1230110	Cylinder welded 3.0 m	1
	8D052000040	QDA1502E1235110	Cylinder welded 3.5 m	1
	8D052000050	QDA1502E1237110	Cylinder welded 3.7 m	1
5	72004001384	QDA1502E1225101	Piston rod 2.5 m	1
	72004001385	QDA1502E1230101	Piston rod 3.0 m	1
	72004001386	QDA1502E1235101	Piston rod 3.5 m	1
	72003001280	QDA1502E1237101	Piston rod 3.7 m	1
6	21000800011	QDA1502E1200107	Guide belt 20×2.5	1
7	22601200012	GB895.1	Hole with steel wire ring 25×2	1
8	72004001387	QDA1502E1200101	piston	1
9	21000800011	QDA1502E1200107	Guide belt 20×2.5	1
10	7500030000039	QDA1502E1200106	Supporting ring 40×50×2	1
11	21000400003	UHS40	Seal ring 40×50×6	1
12	73005000009	BDA-03023	Explosion-proof valve assembly	1

Table7-1

No.	Code	Figure	Name	Qty	remarks
13	7300600000100	QDA1502E1200105	Flathead silencer	1	
14	21001100010	JB982	Combined washer 6	1	
15	72003000107	BDA-00018	Cylinder cushion block	1	
16	22500200004	GB95	Flat washer 10	1	
17	22000400020	GB5783	Bolts 10 x 25	1	

Table7-2

8. Instrument panel (key switch)

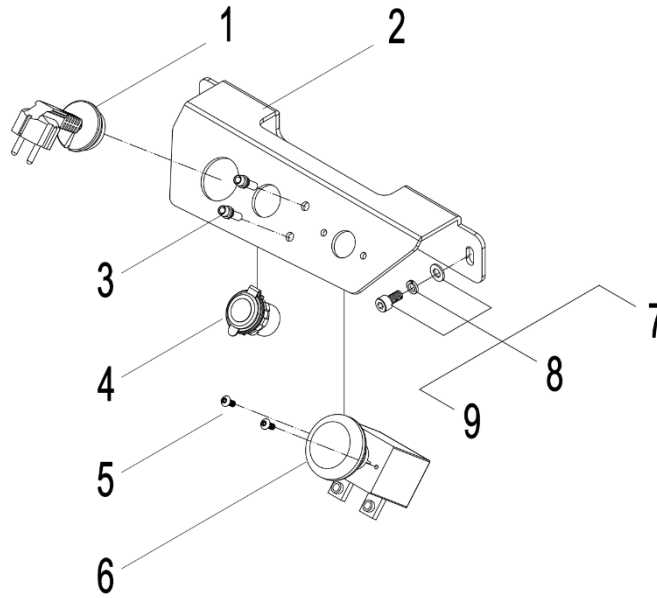


Figure8

No.	Code	Figure	Name	Qty	remarks
1	75000100013	QBA15-20001	Rubber plug	1	
2	72002005270	QDB151300101	Instrument desk	1	
3	11000100029		Pilot lamp	2	
4	40000000345	BOA151341001	USB charging port	1	
5	22101700001	GB70.2	Screw M5×12	2	
6	11006000020	QDA12E-1340001	Emergency power off switch	1	
7	22500100006	GB97.1	Flat washer 8	2	
8	22501200004	GB93	Standard spring washer 8	2	
9	22101600033	GB70.1	Screw M8×16	2	

Table 8-1

9. Frame (two-stage frame)

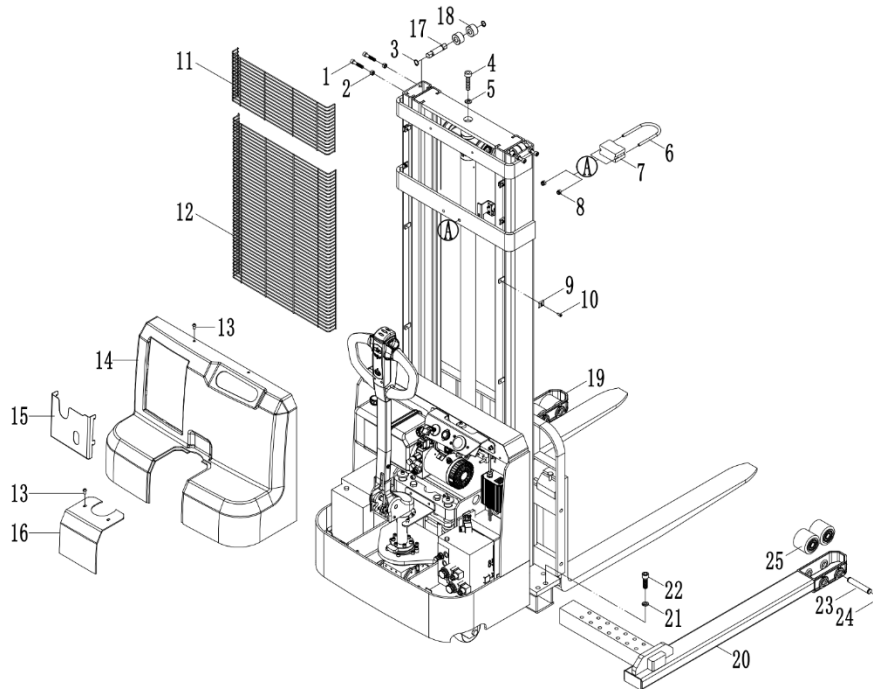


Figure9

No.	Code	Figure	Name	Qty	remarks
1	22101600048	GB70.1	Screw M10 x 50	4	
2	22405600004	GB41	Nut M10	4	
3	22600900002	GB894.1	Retaining ring 20	4	
4	22101600071	GB70.1	Hexagonal cylindrical head screw M14×90	1	
5	22501200007	GB93	Standard spring washer 14	1	
6	72007000016	BDA-00003	Cylinder cling	1	
7	75000100024	BDA-00034B	Rubber pad	1	
8	22403000008	GB889.1	Nut M10	4	
9	72002000191	BDA-00001	Fixed climb	4	
10	22101600087	GB70.1	Screw M6x16	4	
11	79000500006	BDA-00004-224	grid	1	
12	79000500022	BDA-00004-512	Grid 2.5 m	1	
	79000500009	BDA-00004-752	Grid 3.0 m	1	
	79000500024	BDA-00004-1008	Grid 3.5 m	1	
	79000500045	BDA-00004-1120	Grid 3.7 m	1	
13	22101700008	GB70.2	Hexagonal semi-round head screw M8×16	4	
14	75000100119	QDB150901100	Rear housing 1 (yellow RAL1037)	1	
	75000100124	QDB150901100	Rear Housing 1 (green RAL6018)	1	

Table9-1

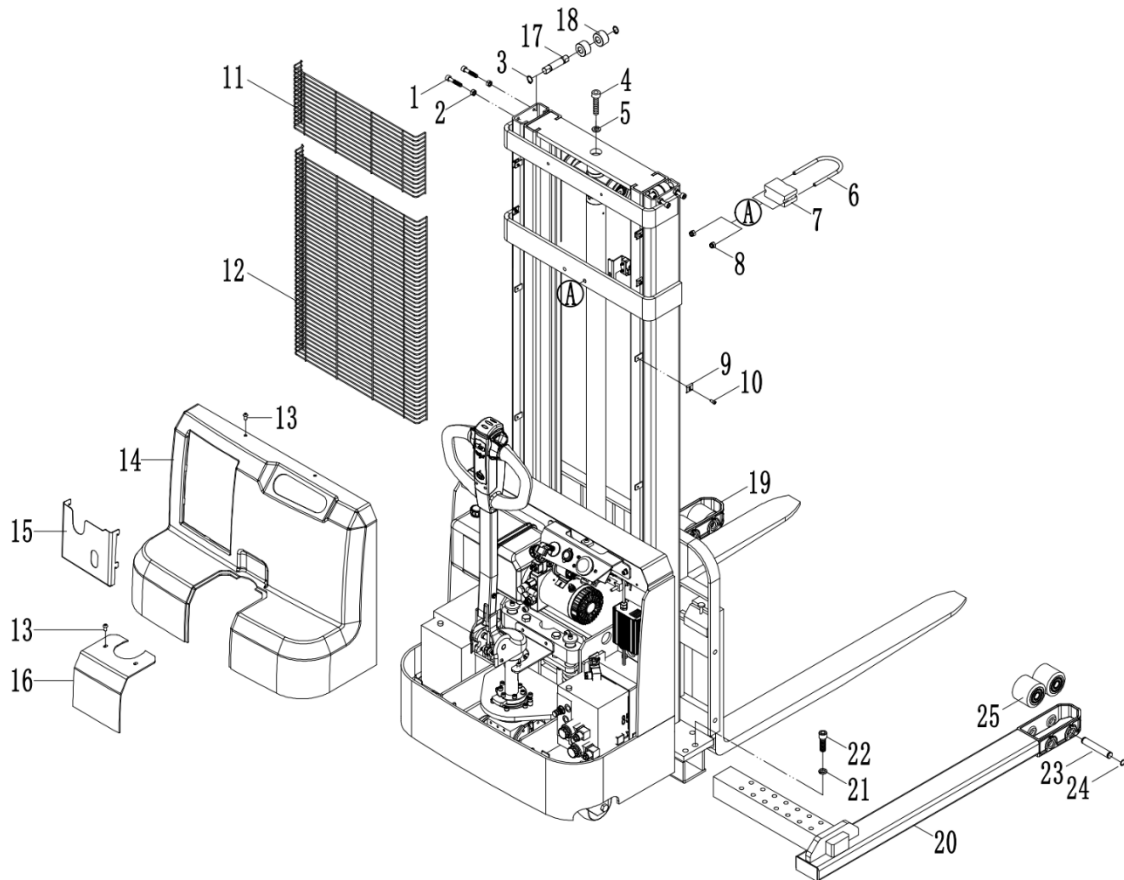


Figure9

No.	Code	Figure	Name	Qty	remarks
15	75000100120	QDB150901200	Folder (yellow RAL1037)	1	
	75000100125	QDB150901200	Folder (green RAL6018)	1	
16	72002005271	QDB150903000	Rear housing II (yellow RAL1037)	1	
	72002005327	QDB150903000	Rear housing II (green RAL6018)	1	
17	72003000404	QDA15EM8200001	Side roller axle	2	
18	71003000037	BDA-00030	Side roller	4	
19	8D24200001	QDA-ELS0400220	Left leg	1	
	0	240509			
20	8D24200001	QDA-ELS0400210	Right leg	1	
	1	240509			
21	22501200008	GB93	Standard spring washer 16	8	
22	22101600075	GB70.1	Screw M16 x 50	8	
23	72003000405	SDA-00001	Double slot pin	4	
24	22600900002	GB894.1	Retaining ring 20	8	
25	8D05100100	QDA12E-00030	Bearing 80×70	4	
	007				

Table9-2

11. Internal mast

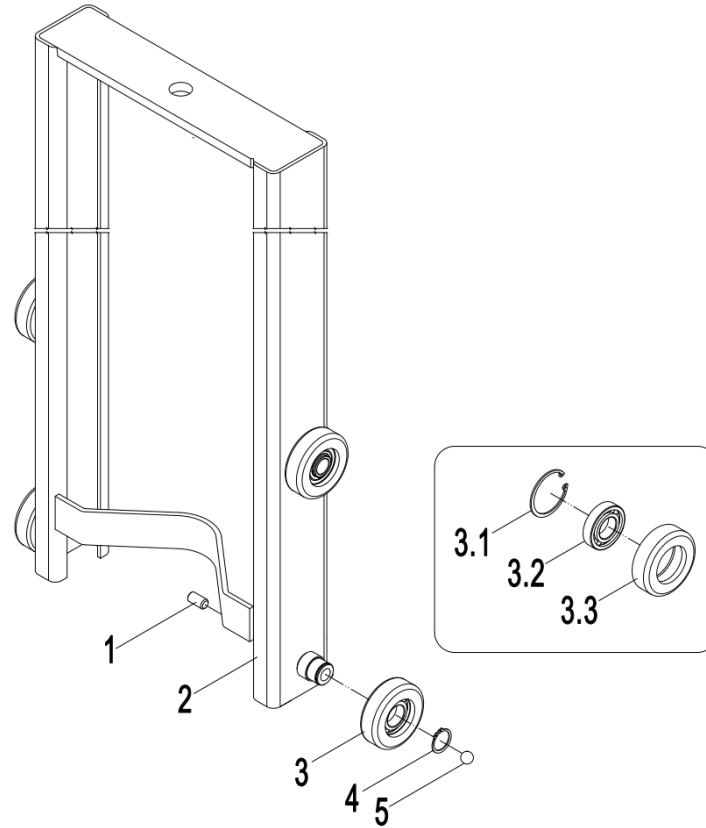


Figure10

No.	Code	Figure	Name	Qty	remarks
1	22102600027	GB77	Screw M16×30	2	
2	8D032003015	BDA-06125	The inner mast 2.5 meters	1	
	8D032003016	BDA-06130	The inner mast 3.0 meters	1	
	8D032003018	BDA-06135	The inner mast 3.5 meters	1	
3	8D031011001	BDA-06010	Roller assembly	4	
3.1	22600700004	GB893.1	Hole retaining ring 72	4	
3.2	23000100027	GB276	Bearing 6207	4	
3.3	71004000004	BDA-06007	Roller	4	
4	22600900007	GB894.1	Retaining ring 35	4	
5	23001800010	GB308	Steel ball Φ19.05	2	

Table10-1

12. Sprocket wheel assembly

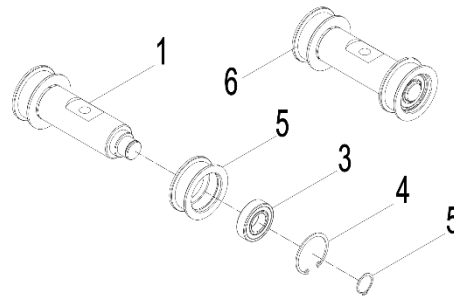


Figure11

No.	Code	Figure	Name	Qty	remarks
1	72003001209	QDA1502E8200011	Sprocket shaft	1	
2	71004100002	BDA-03032	Sprocket wheel	2	
3	23000100006	GB276	Bearing 6206	2	
4	22600700019	GB894.1	Hole retaining ring 62	2	
5	22600900008	GB894.1	Retaining ring 30	2	
6	8D05410000002	QDA1502E8200010	Sprocket assembly	1	

Table11-1

13. Chain



Figure12

No.	Code	Figure	Name	Qty	remarks
1	22400600003	GB6176	Hexagon nut M16 x 1.5	4	
2	72007000012	BDA-03039	Chain head	1	
3	22801600003	GB91	Cotter pin 2.5×25	2	
4	22801600002	GB91	Cotter pin 2 x 16	2	
5	22801700002	GB882	Pin type B B5×35	2	
6	23200300020		1.6m chain LH0846 91 knots	1	
	23200300022		2.5m chain LH0846 149 knots	1	
	23200300023		3.0 m chain LH0846 169 knots	1	
	23200300027		3.5m chain LH0846 189 knots	1	
	23200300068		3.7 m chain LH0846 195 knots	1	
7	72007000013	BDA-03041	Chain head	1	

Table12-1

14. Forging fork

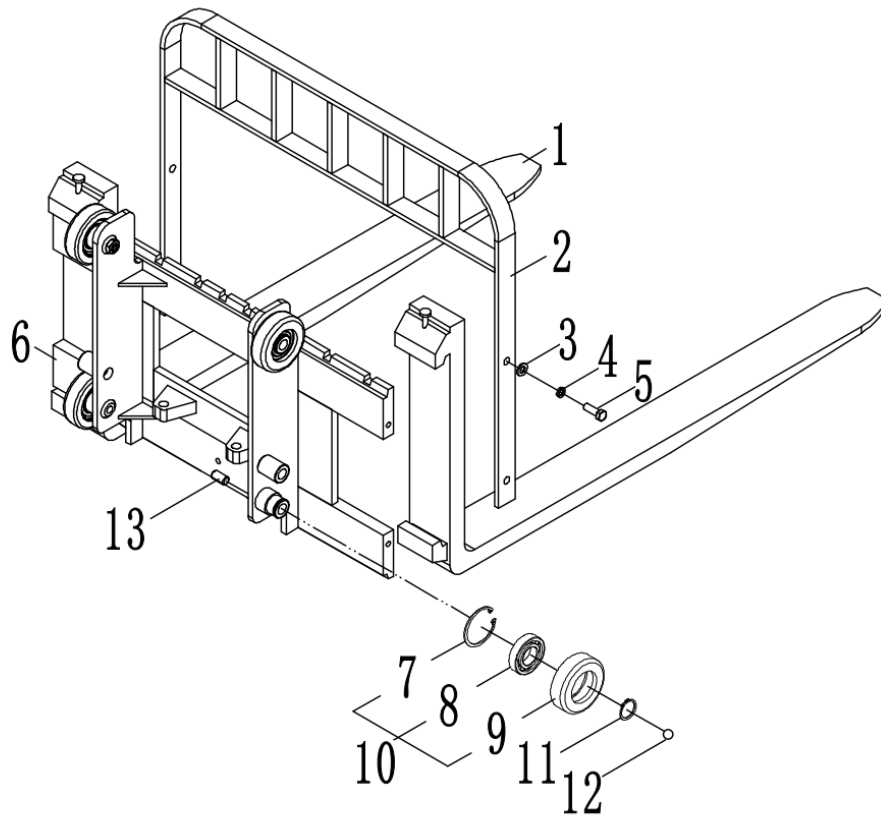


Figure13

No.	Code	Figure	Name	Qty	remarks
1	72003000614	P15S8901150	Fork assembly 35×100×1150	2	
2	8D10200605 2	QPA13028280020	Rack 815	1	
3	22500200009	GB95	Flat pad 12	4	
4	22501200006	GB93	Spring pad 12	4	
5	22000400004	GB5783	Hexagon head bolt M12×25	4	
6	8D06200001 5	QDA12ES-07120 240509	Forging lift platform	1	
7	22600700004	GB893.1	Hole retaining ring 72	4	
8	23000100027	GB276	Bearing 6207	4	
9	71004000004	BDA-06007	Roller	4	
10	8D03101100 1	BDA-06010	Roller assembly	4	
11	22600900007	GB894.1	Retaining ring 35	4	
12	23001800010	GB308	Steel ball φ19.05	4	
13	22102600014	GB77	Screw M16×50	4	

Table13-1

15. Power system (Lead-acid battery)

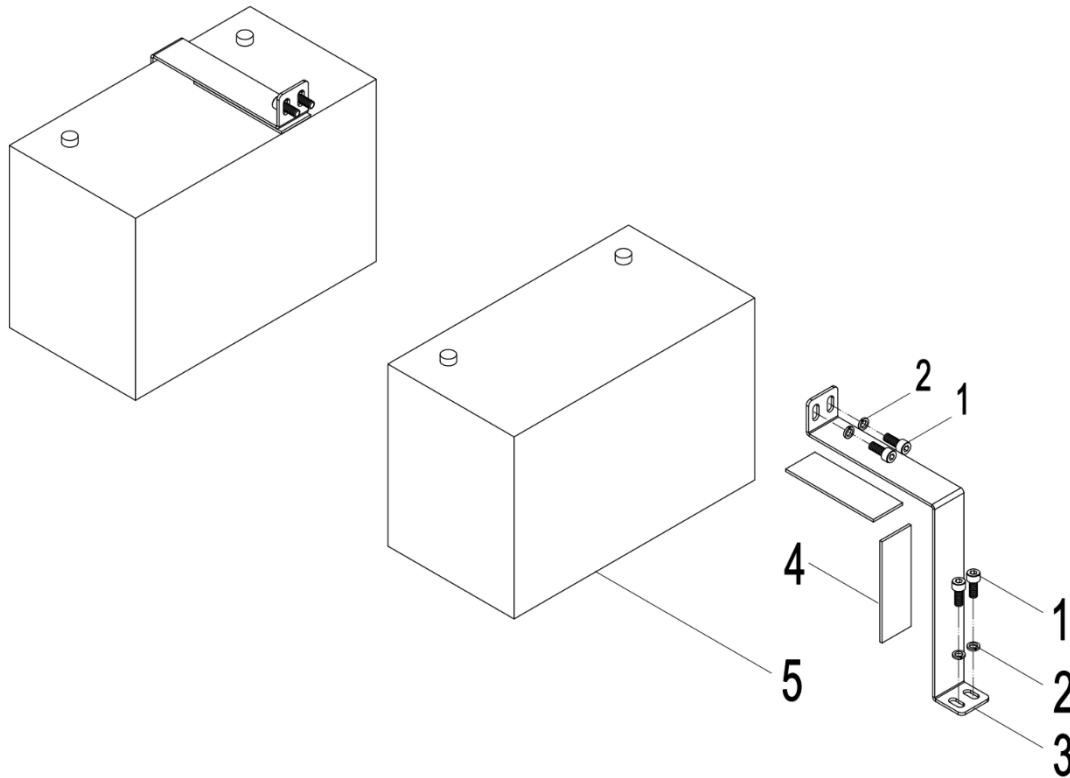


Figure14

No.	Code	Figure	Name	Qty	remarks
1	22101600034	GB70.1	Screw M8×20	4	
2	22501200004	GB93	Spring Cushion 8	8	
3	72001007003	QDB150101010	Battery platen	2	
4	75000100123	QDB150101011	Rubber pad	4	
5	11009000035	QDA15EM1380302	Battery 12V120Ah	2	
	11009000034	QDA15EM1380102	Battery 12V85Ah	2	
	1100900000071	QDA10EL-1381000	Battery 12V65Ah	2	

Table14-1

16. Power system (lithium battery)

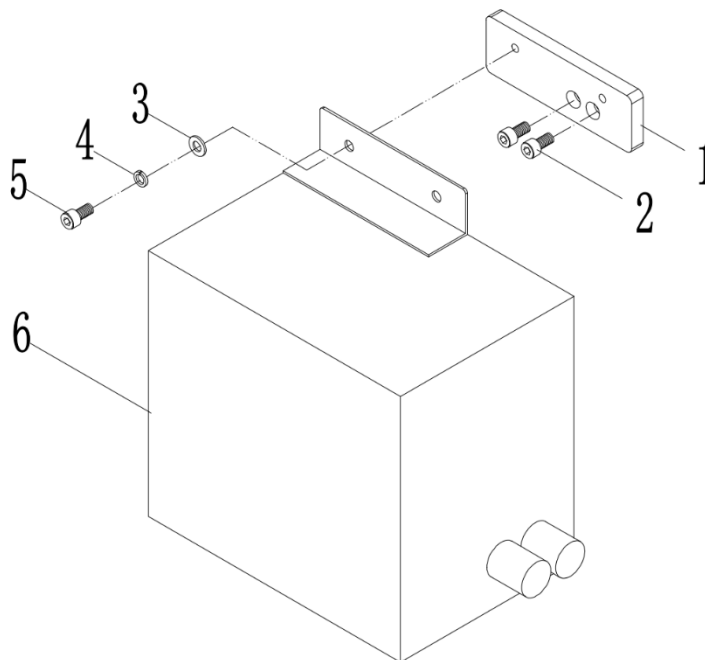


Figure14

No.	Code	Figure	Name	Qty	remarks
1	72001007204	QDA1502E0104000	Lithium battery mounting board	1	
2	22101600032	GB70.1	Hexagonal cylindrical head screw M8×12	2	
3	22500100006	GB97.1	Flat washer 8	2	
4	22501200004	GB93	Standard spring washer 8	2	
5	22101600032	GB70.1	Hexagonal cylindrical head screw M8×12	2	
6	11009000105	QDA1502EM138021 0	Lithium battery 24V/50Ah	1	

Table14-1

17. Electrical parts

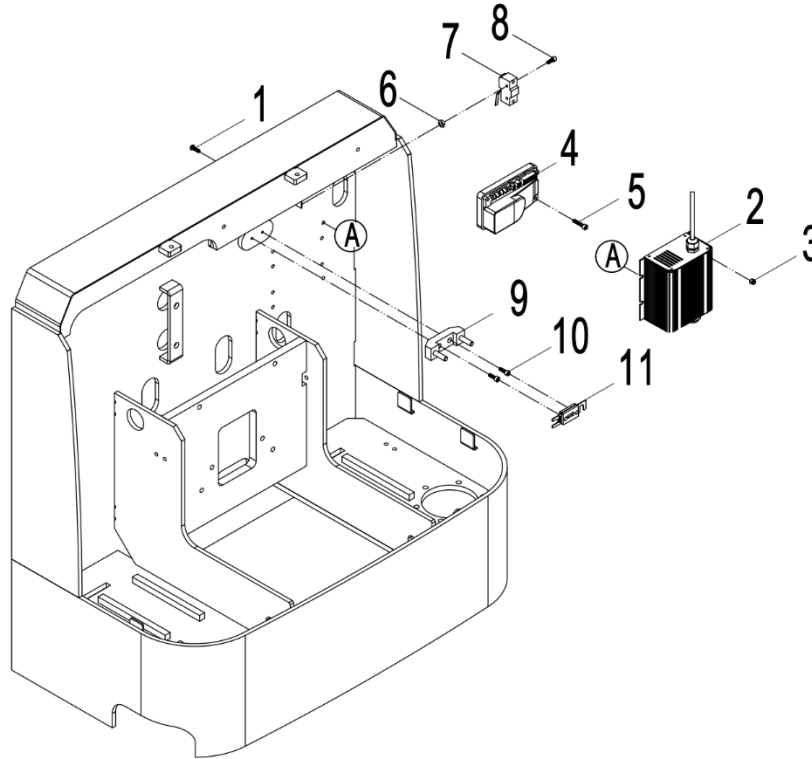


Figure15

No.	Code	Figure	Name	Qty	remarks
1	22101700029	GB70.2	Hexagonal half-round head screw M5×20	4	
2	110091000050	QDA10EL-1351000	Built-in charger 24V/10A	1	
	11009100038	QDA15EM-1350008	Built-in charger 24V/20A(lithium)	1	
3	22403000003	GB889.1	Hex socket lock nut M5	4	
4	11007000030	DQJ130201004	Dc brushed electric controller D2P	1	
	1100700000032	QBA15-1310001	Electric controller 1212P	1	
5	22101600020	GB70.1	Hexagonal cylindrical head screw M5×25	2	
6	22403000002	GB889.1	Hexagon socket lock nut M4	2	
7	11006000021	QBA15-1340003	microswitch	1	
8	22101600014	GB70.1	Hexagonal cylindrical head screw M4x25	2	
9	15000900012	QBA15-1350007	Fuse holder	1	
10	22101600018	GB70.1	Hexagonal cylindrical head screw M5×16	2	
11	15000900011	QBA15-1350003	Fuse holder	1	

Table15-1