



# Parts Manual

## Semi-Electric Stacker

### EA15A-118 / EA15A-138



## **Instructions for use**

Please read this manual carefully and operate the vehicle safety.

- Do not operate this vehicle without training.
- Please comply with ISO3691 “Safety Specification for Motor Vehicles Industry”.
- Please do not modify or change the repair parameters, including adjusting the pressure. Any loss or damage to the vehicle resulting from such actions will be your responsibility, and doing so will void our warranty commitment.

### **SPECIAL WARNING:**

The company is committed to innovation and sustainable development. As part of this commitment, we continually improve the technology of our products. Therefore, we reserve the right to make changes and improvements to any product described in this specification without prior notice.

## 1. Handle system

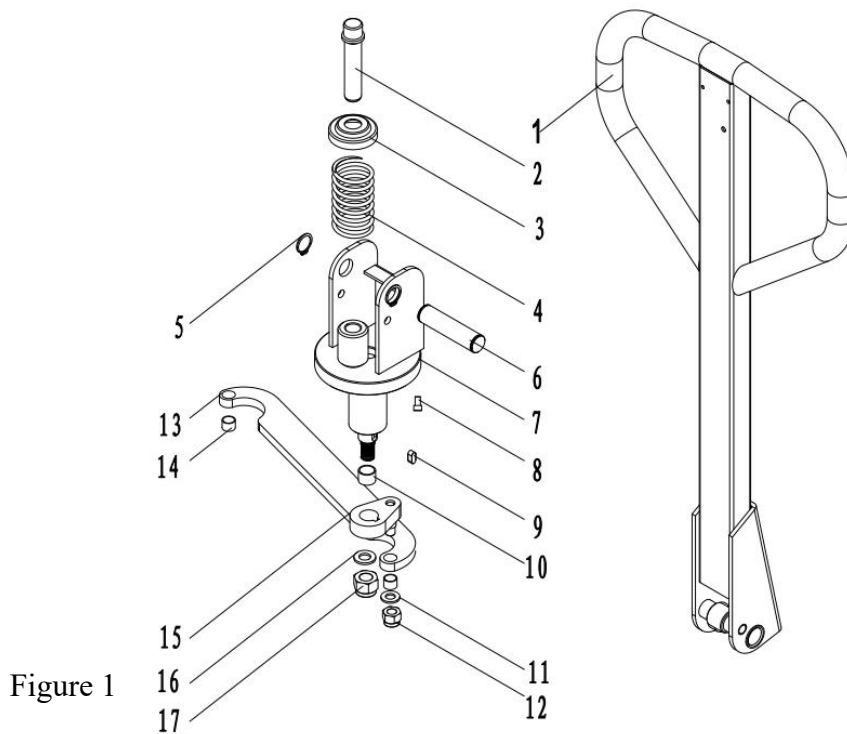


Figure 1

No.	CODE	Figure No.	Name	Qty	Remarks
1	79000200006	BDA-01020A	controller	1	
2	72003000102	BDA-01017	Spring core	1	
3	72002000346	SBA-03002	spring cap	1	
4	72009040001	SBA-03003	spring	1	
5	22600900002	GB894.1	Retaining ring 20	2	
6	72003000101	BDA-00006	Pin shaft 20 x 81	1	
7	8D032002001	BDA-01009A	Turntable	1	
8	22000400031	GB5783	Screw M12×20	1	
9	22900100007	GB1096	Flat key Type A 6 x 6 x 14	1	
10	23100100019	SF-1-2525	Composite bushing	2	
11	22500200004	GB95	Flat washer 10	1	
12	22403200002	GB6182	Nut M10	1	
13	8D035005001	BDA-04043	Steering plate	1	
14	23100100003	SF-1-1210	Composite bushing	2	
15	72006000104	BDA-04041	Steering shaft plate	1	
16	22500200006	GB95	Plain washer 16	1	
17	22403200003	GB6182	Nut M16	1	

Table 1-1

## 2. Hydraulic system

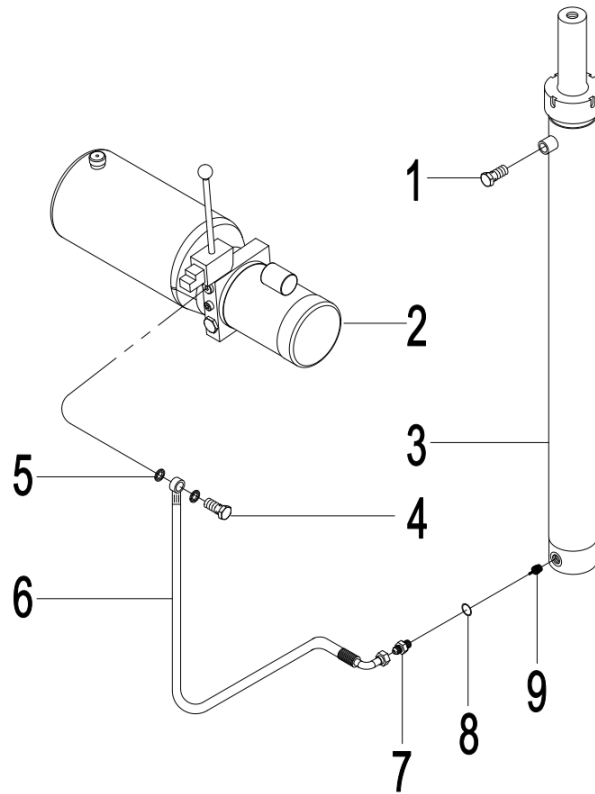


Figure2

No.	CODE	Figure No.	Name	Qty	Remarks
1	730060000081	BDA-03033	suppressor	1	
2	73002000002	BDA-03050	Hydraulic power station	1	
	73002000012	BDA-03051	Hydraulic power station	1	
3	73007000092	BDA-13030	Cylinder 3.0 m	1	
	73007000094	BDA-13035	Cylinder 3.5 m	1	
4	73006000019	BDA-00020	Outlet connection	1	
5	21001100003	JB982	Combined pad 16	2	
6	73004000059	BDA-00026	High pressure oil pipe	1	
7	73006000044	BDA-03021	Flaring type pipe joint body	1	
8	21001100002	JB982	Combined pad 14	1	
9	73005000009	BDA-03023	Explosion-proof valve assembly	1	

Table2-1

### 3. Hydraulic system cylinder

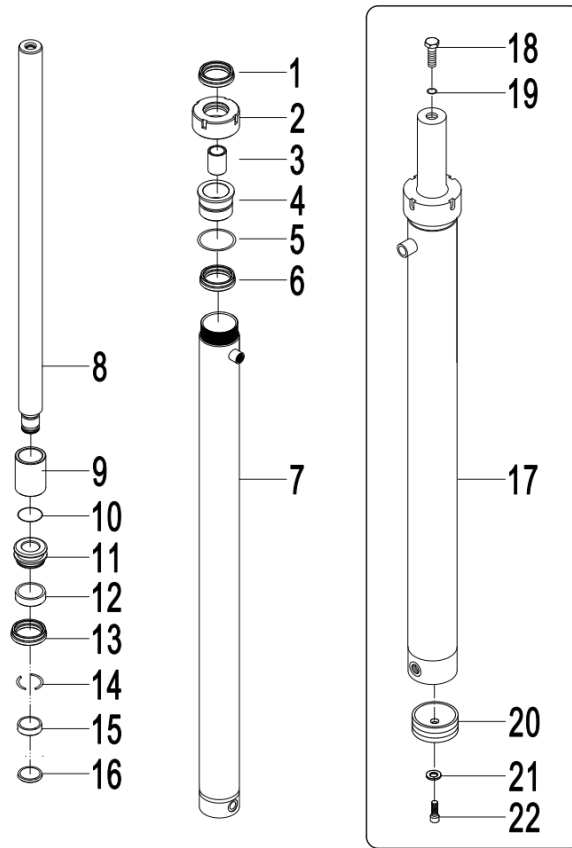
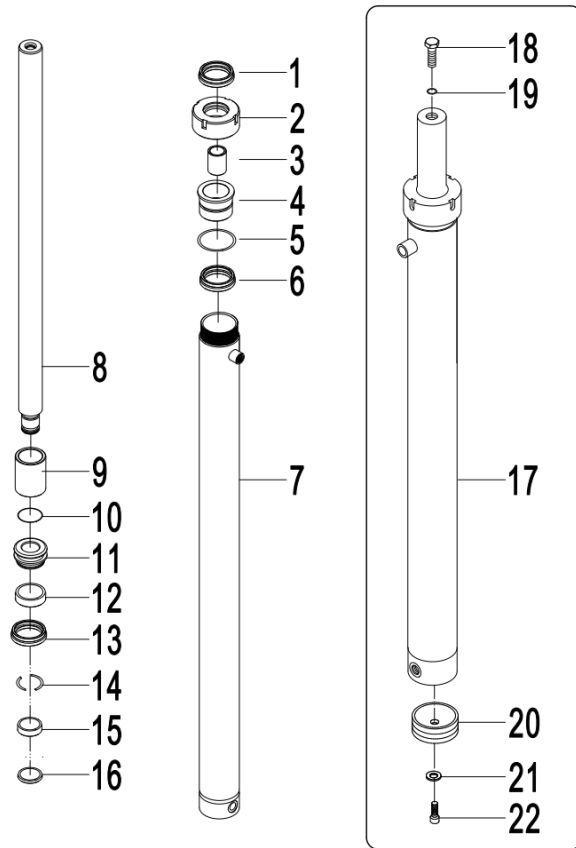


Figure3

No.	CODE	Figure No.	Name	Qty	Remarks
1	21000300004	DHS40	DH type dust ring 40 x 48 x 5 x 6.5	1	
2	72004000032	BDA-03003	Top cap	1	
3	23100100027	SF-1-4030	Composite bushing 40×44×30	1	
4	72004000046	BDA-03004	Sliding sleeve	1	
5	21000100002	GB3452.1	O-ring 50×3.55	1	
6	21000400003	UHS40	UHS sealing ring 40×50×6	1	
7	8D032008005	BDA-13130	Cylinder welded 3 m	1	
	8D032008007	BDA-13135	Cylinder welded 3.5 m	1	
8	72003000255	BDA-13330	Piston rod 3 m	1	
	72003000257	BDA-13335	Piston rod 3.5 m	1	
9	72004000033	BDA-03011	Bush 51 x 40.2 x 57	3	
10	21000100003	GB3452.1	O-ring 23.6×3.55	1	

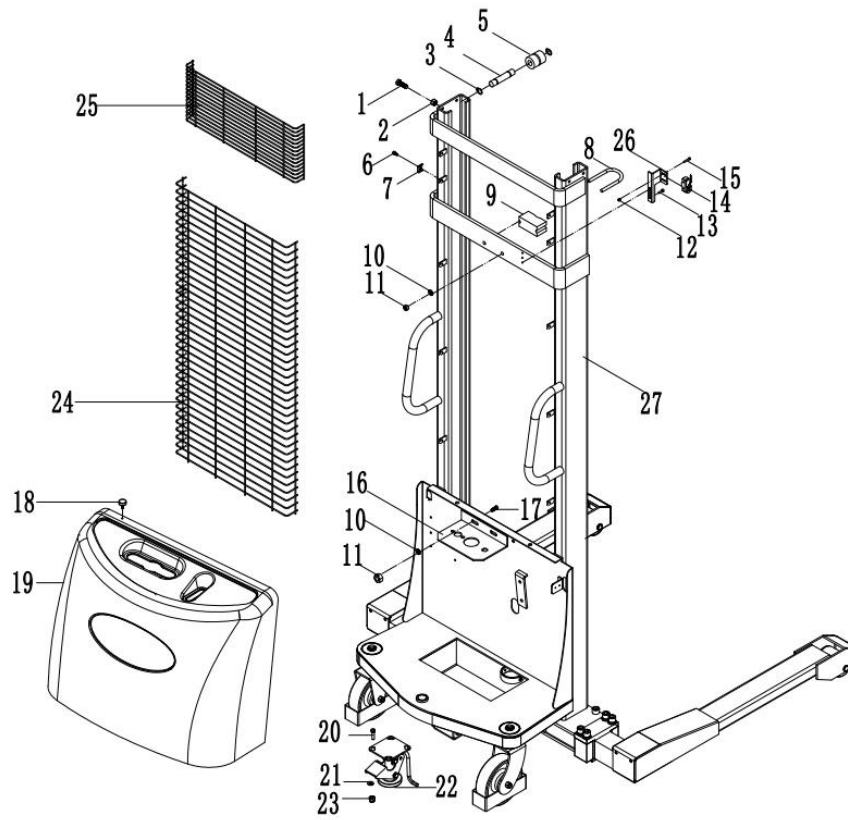
Table3-1



No.	CODE	Figure No.	Name	Qty	Remarks
11	72004000035	BDA-03013	piston	1	
12	21000800002	BDA-03014	Guide ring for holes	1	
13	21000400001	UHS45	UHS sealing ring 45×56×7	1	
14	72004000036	BDA-03016	Half ring 37×6	2	
15	72004000037	BDA-03017	Half ring sleeve	1	
16	22600900008	GB894.1	Retaining ring 30	1	
17	73007000092	BDA-13030	Cylinder 3.0 m	1	
	73007000094	BDA-13035	Cylinder 3.5 m	1	
18	22501200008	GB93	Spring pad 16	1	
19	22101600079	GB70.1	Screw M16×70	1	
20	72003000107	BDA-00018	Cylinder cushion block	1	
21	22500200004	GB95	Flat washer 10	1	
22	22000400020	GB5783	Bolts 10 x 25	1	

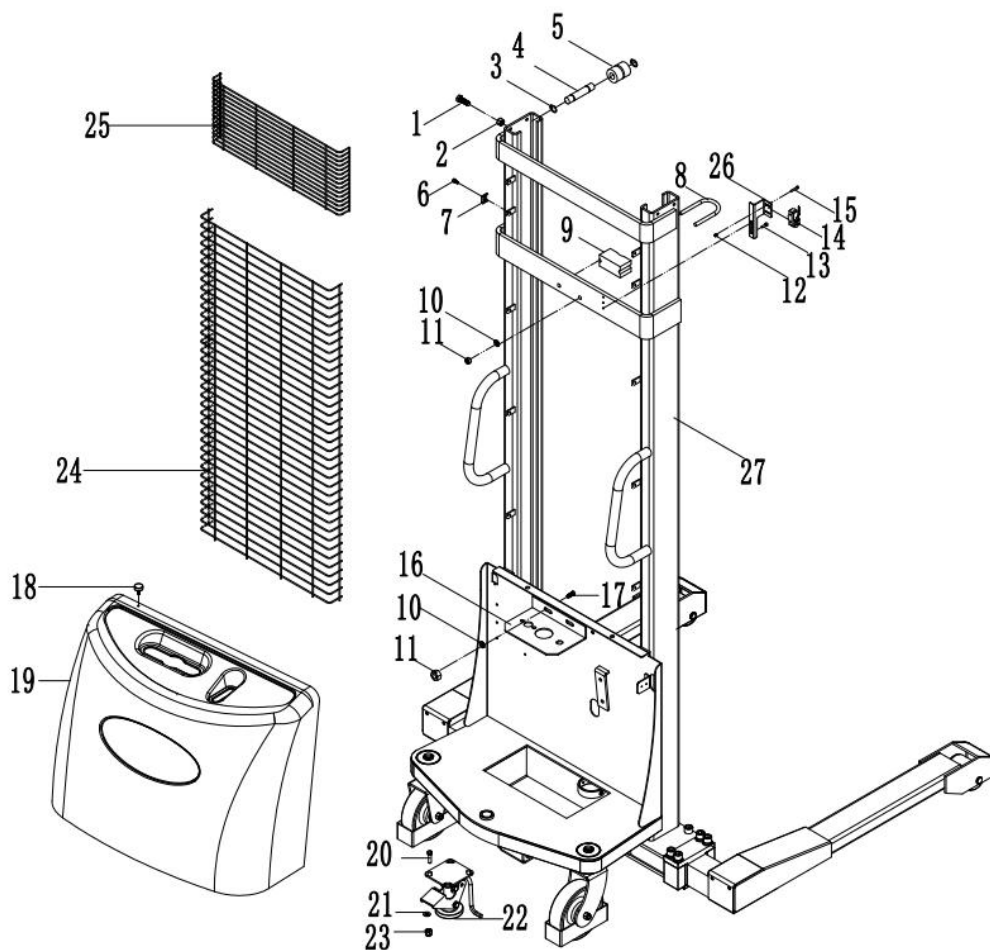
Table3-2

#### 4. Gantry system



No.	CODE	Figure No.	Name	Qty	Remarks
1	22101600048	GB70.1	Screw M10 x 50	4	
2	22405600004	GB41	Nut M10	4	
3	22600900002	GB894.1	Shaft stop 20	8	
4	72003000404	QDA15EM8200001	Side roller axle 20×97	2	
5	71003000037	BDA-00030	Side roller 43 x 25	4	
6	22101600087	GB70.1	Screw M6x16	4	
7	72002000191	BDA-00001	Fixed climb	4	
8	72007000016	BDA-00003	Cylinder cling	1	
9	75000100024	BDA-00034B	Rubber pad	1	
10	22500200004	GB95	Flat washer 10	4	
11	22403000008	GB889.1	Nut M10	4	
12	22403000006	GB889.1	Nut M8	2	
13	22101600018	GB70.1	Hexagonal cylinder M5×16	2	
14	11006000021	QBA15-1340003	microswitch	1	

Table4-1

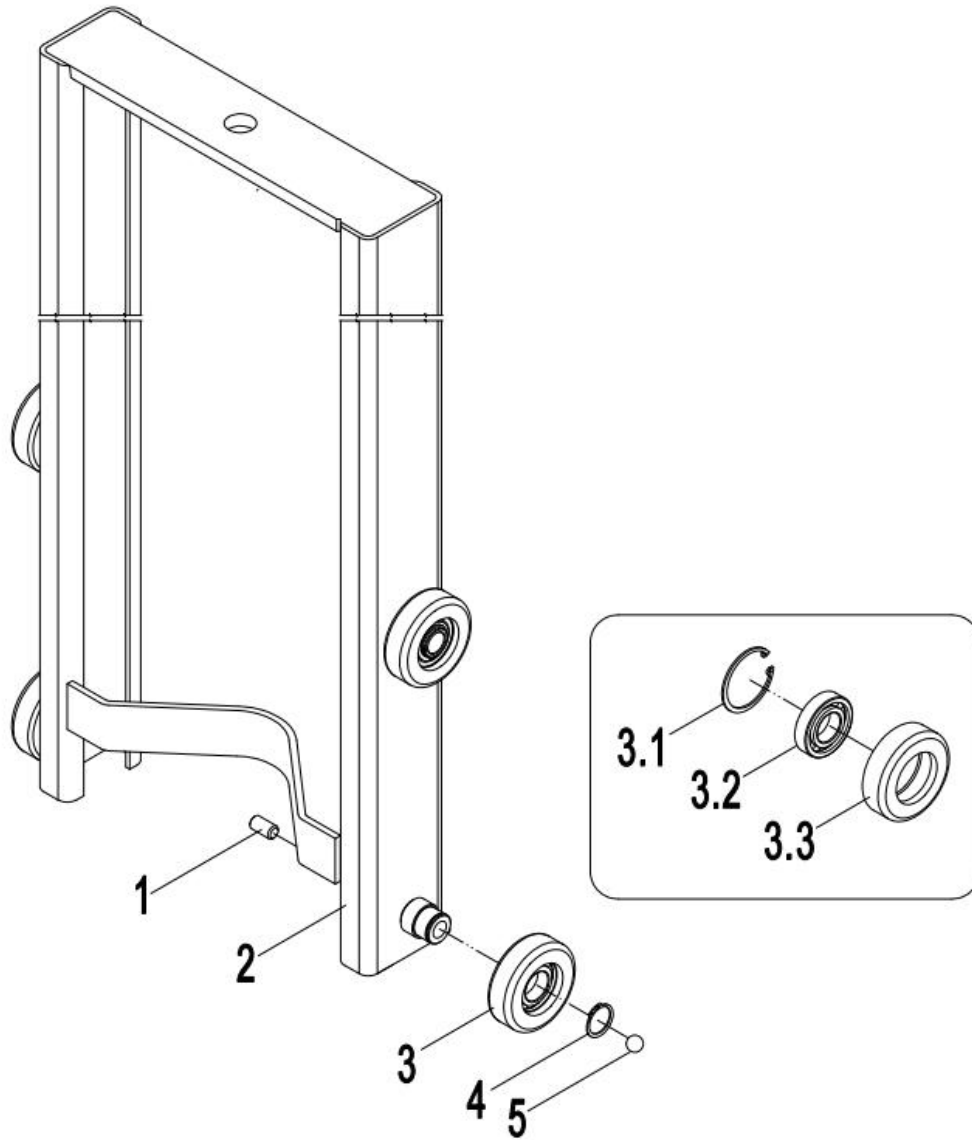


No.	CODE	Figure No.	Name	Qty	Remarks
15	22101600014	GB70.1	Hexagonal cylinder M4×25	2	
16	8D035006001	BDA-04003	Instrument desk	1	
17	22000400020	GB5783	Bolt M10 x 25	2	
18	72008000001	P250400002A	Knurled screws 8 x 18	2	
19	75000400007	BDA-00028C	Rear cowl	1	
20	22000400025	GB5783	Bolt M8 x 25	4	
21	22500200007	GB95	Flat washer 8	4	
22	71001200003	BDA-00029	brake	1	
23	22403000006	GB889.1	Nut M8	4	
24	79000500009	BDA-00004-224	grid	1	
25	79000500009	BDA-00004-1008	grid	1	
26	72002005311		Height limit switch bracket	1	
27	8D042003016	BDA-S -14130	Frame welding 3.0	1	

	8D042003017	BDA-S -14135	Frame welding 3.5	1	
--	-------------	--------------	-------------------	---	--

Table4-2

## 5. Internal gantry system



No.	CODE	Figure No.	Name	Qty	Remarks
1	22102600027	GB77	Screw M16×30	2	
2	8D032003016	BDA-06130	Inner frame 3.0 m	1	
3	8D031011001	BDA-06010	Pulley assembly 106	4	
3.1	22600700004	GB893.1	Hole retaining ring 72	1	
3.2	23000100005	GB276	Bearing 6207	1	
3.3	71004000004	BDA-06007	pulley	1	
4	22600900007	GB894.1	Retaining ring 35	4	
5	23001800010	GB308	Steel ball Φ19.05	2	

Table5-1

## 6. Sprocket shaft assembly

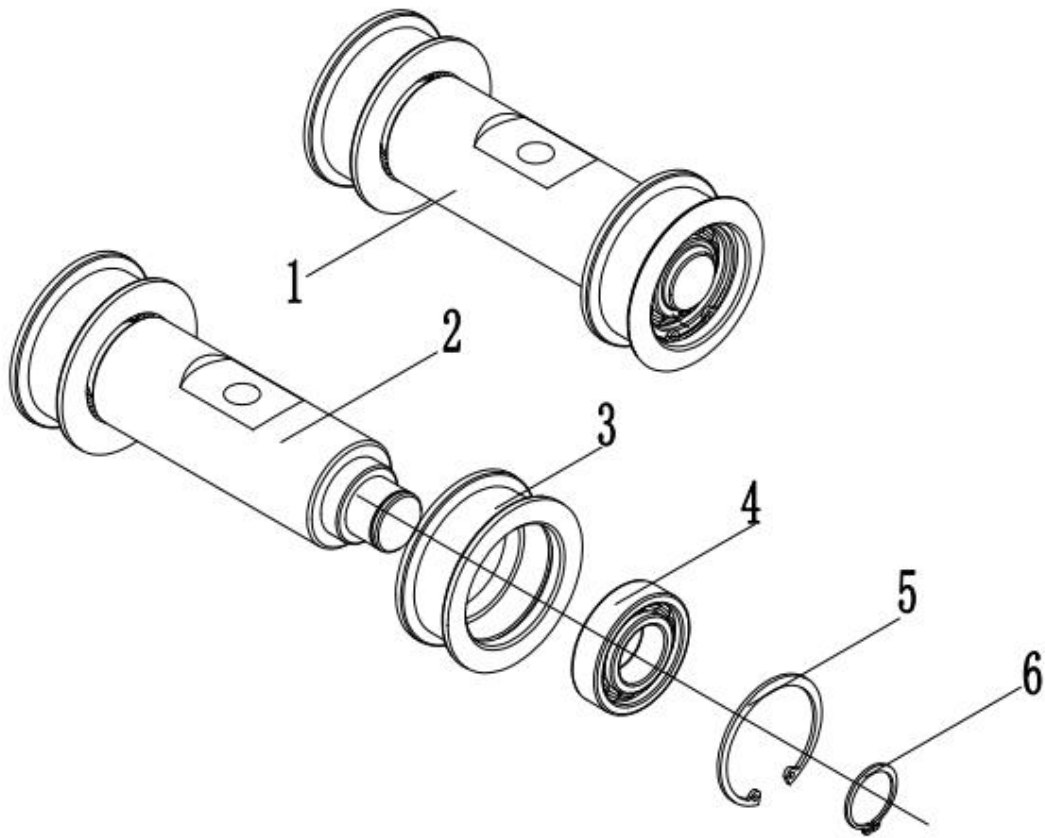


Figure 6

No.	CODE	Figure No.	Name	Qty	Remarks
1	8D034003003	BDA-03030	Sprocket assembly	1	
2	72003000108	BDA-03031	Sprocket shaft	1	
3	71004100002	BDA-03032	Sprocket wheel	2	
4	23000100006	GB276	Bearing 6206	2	
5	22600700019	GB894.1	Hole retaining ring 62	2	
6	22600900008	GB894.1	Retaining ring 30	2	

Table6-1

## 7. Universal wheel assembly

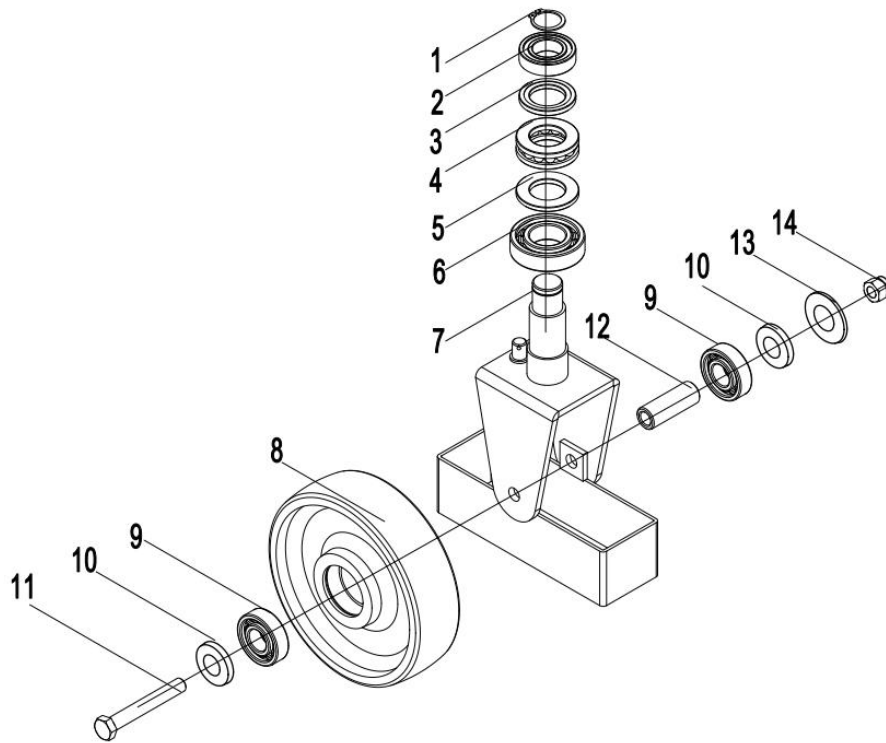


Figure 7

No.	CODE	Figure No.	Name	Qty	Remarks
1	22600900004	GB894.1	Retaining ring 25	2	
2	23000100007	GB276	Bearing 6005	1	
3	72004000028	BDA-04022	Gasket 52×5	1	
4	23000800007	GB301	Bearing 51206	1	
5	10206087	BDA-04023	Gasket 47×5	1	
6	2300010000048	GB276	Bearing 6206	1	
7	8D032002002	BDA-04036	Universal wheel assembly	1	
8	71003000016	SBA-00061A	White nylon wheel 180×50	1	
	71003000017	SBA-00061A	Black nylon wheel 180×50	1	
9	23000100001	GB276	Bearing 6204	2	
10	72004000022	BDA-04030	bushing	2	
11	22000300017	GB5782	Bolt M12 x 95	1	
12	72004000021	BDA-04031	Liner 20×55	1	
13	22500200002	GB95	Flat pad 12	1	
14	22403200001	GB6182	Nut M12	1	

Table7-1

## 8. Balance Wheel

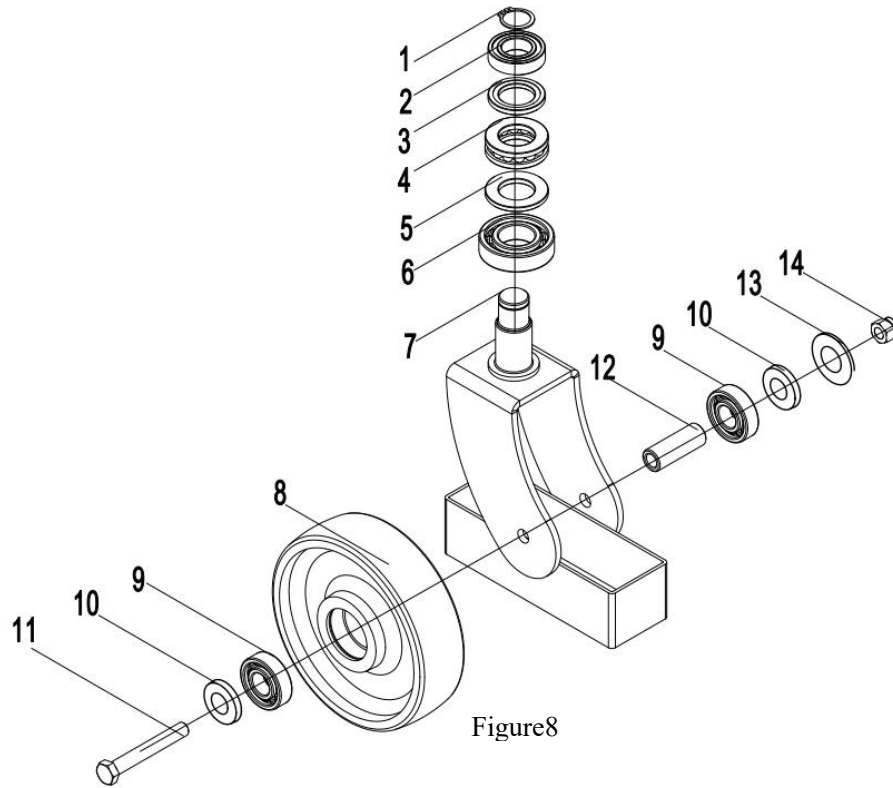


Figure8

No.	CODE	Figure No.	Name	Qty	Remarks
1	22600900004	GB894.1	Retaining ring 25	2	
2	23000100007	GB276	Bearing 6005	1	
3	72004000028	BDA-04022	Gasket 52×5	1	
4	23000800007	GB301	Bearing 51206	1	
5	10206087	BDA-04023	Gasket 47×5	1	
6	2300010000048	GB276	Bearing 6206	1	
7	8D035010001	BDA-04025	Steering wheel frame assembly	1	
8	71003000016	SBA-00061A	White nylon wheel 180×50	1	
	71003000017	SBA-00061A	Black nylon wheel 180×50	1	
9	23000100001	GB276	Bearing 6204	2	
10	72004000022	BDA-04030	bushing	2	
11	22000300017	GB5782	Bolt M12 x 95	1	
12	72004000021	BDA-04031	Liner 20×55	1	
13	22500200002	GB95	Flat pad 12	1	
14	22403200001	GB6182	Nut M12	1	

Table8-1

## 9. Forging fork

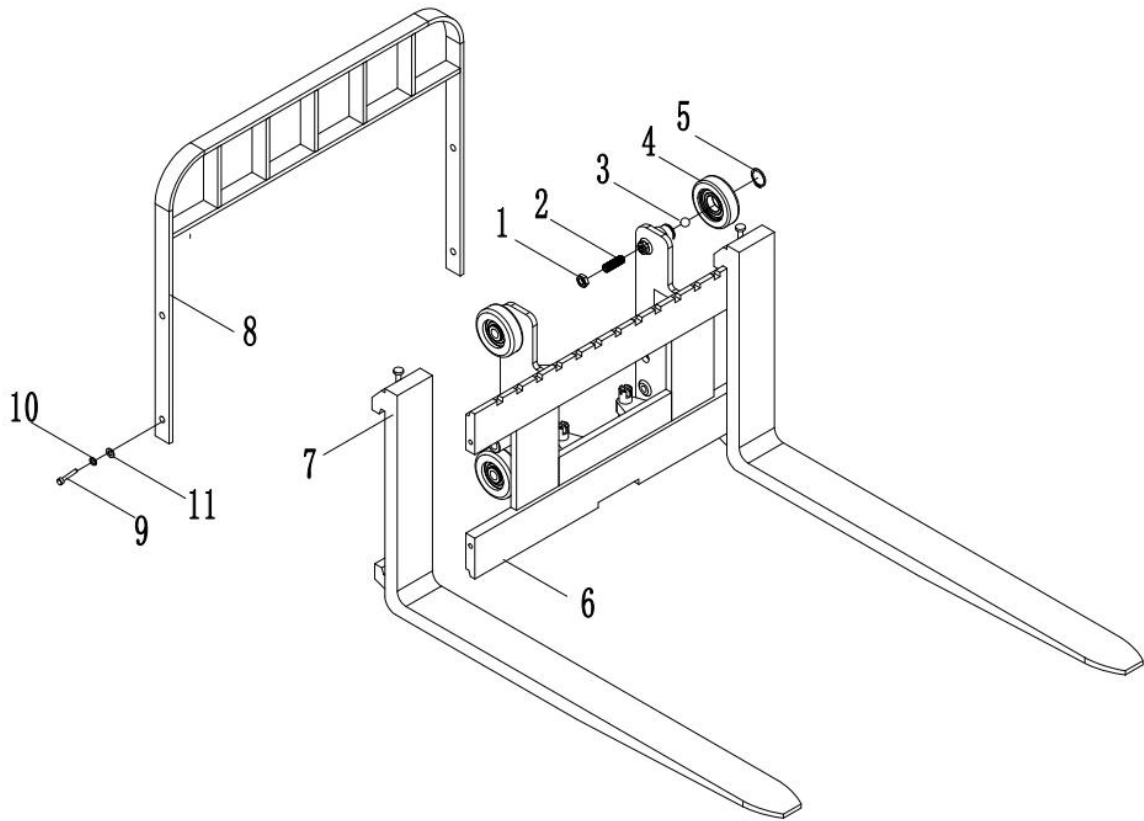


Figure9

No.	CODE	Figure No.	Name	Qty	Remarks
1	22400700002	GB6172.1	Nut M10	4	
2	22102600014	GB77	Screw M16 x 50	4	
3	23001800010	GB308	Steel ball $\phi$ 19.05	4	
4	8D031011001	BDA-06010	Pulley assembly 106	4	
5	22600900007	GB894.1	Retaining ring 35	4	
6	8D062000011	QDA12ES-07120	Double forging lift platform	1	
7	P15S8901150	P15S8901150	Forging fork 1150	1	
8	8D102006052	QPA13028280020	Rack 815	1	
9	22000400004	GB5783	Hexagon head bolt M12 $\times$ 25	4	
10	22501200006	GB93	Spring washer 12	4	
11	22500100008	GB97.1	Flat washer 12	4	

Table9-1

## 10. Straddle Leg

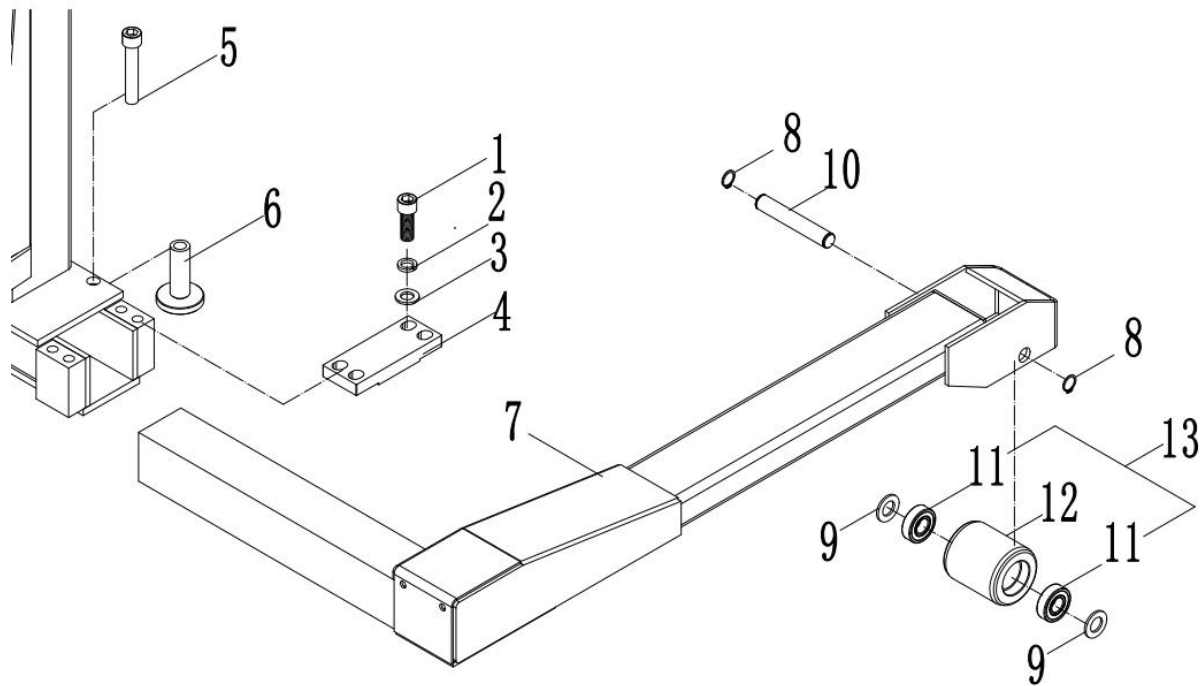


Figure10

No.	CODE	Figure No.	Name	Qty	Remarks
1	22101600088	GB70.1	Screw M16×45	4	
2	22501200008	GB93	Spring pad 16	4	
3	22500400002	GB848	Washer 16	4	
4	72001000992	BDA-S-04001	Clamp plate	1	
5	22101600080	GB70.1	Screw M16×80	1	
6	72005000167	BDA-S-04002	Standing leg	1	
7	8D042002002	BDA-S-04220	Right leg	1	
	8D042002002	BDA-S-04220	Left leg	1	
8	22600900002	GB894.1	Shaft stop 20	2	
9	22500200005	GB95	Flat pad 20	2	
10	72003000082	BDA-00017	Pin shaft $\Phi 20 \times 123$	1	
11	23000100001	GB276	Bearing 6204	2	
12	8B011010004	SBA-00015A	White nylon wheel $\Phi 80 \times 93$	1	
	8B011010005	SBA-00015B	Black nylon wheel $\Phi 80 \times 93$	1	
	8B011010006	SBA-00015C	Red PU wheel $\Phi 80 \times 93$	1	
13	8B011010004	SBA-00015A	White nylon wheel $\Phi 80 \times 93$	1	

	8B011010005	SBA-00015B	Black nylon wheel Φ80×93	1	
	8B011010006	SBA-00015C	Red PU wheel Φ80×93	1	

Table10-1

## 11. Electrical System

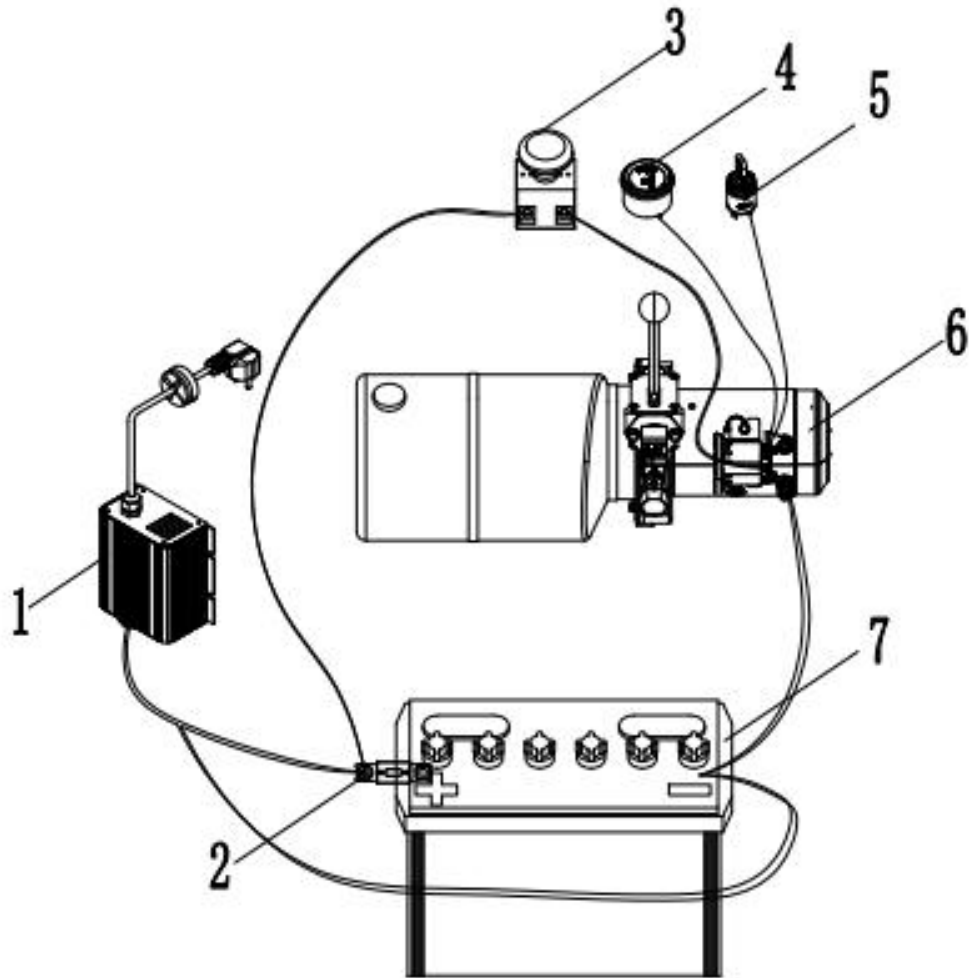


Figure11

No.	CODE	Figure No.	Name	Qty	Remarks
1	11009100011	BDA-08021	Built-in charger 12V15A	1	
2	15000900019	QBA15-1350005	fuse 200A	1	
3	11006000023	QBA15-1340002	Emergency stop button LAY40-A (Ø22mm)	1	
4	11005000011	BDA-1350001	Electric meter 12V (with hour meter)	1	
5	11006000002	P251340004	Key switch JK410	1	
6	73002000002	BDA-03050	Hydraulic power station	1	
7	1100900000065	BDA-08101	Battery 6-DG-135 (Wanda)	1	

Table11-1

<b>List of wearing parts</b>					
No.	CODE	Figure No.	Name	Qty	Remarks
1	23100100019	SF-1-2525	Composite bushing	2	Table1-1/10
2	23100100003	SF-1-1210	Composite bushing	2	Table1-1/15
3	21001100003	JB982	Combined pad 16	2	Table2-1/5
4	73004000059	BDA-00026	High pressure oil pipe	1	Table2-1/6
5	21001100002	JB982	Combined pad 14	1	Table2-1/8
6	23000100006	GB276	Deep groove ball bearing 6206	2	Table6-1/3
7	71003000016	SBA-00061A	White nylon wheel 180×50	1	Table7-1/8
	71003000017	SBA-00061A	Black nylon wheel 180×50	1	Table8-1/8
8	8B011010004	SBA-00015A	White nylon wheel Φ80×93	1	Table10-1/9
	8B011010005	SBA-00015B	Black nylon wheel Φ80×93	1	
	8B011010006	SBA-00015C	Red polyurethane wheel Φ80×93	1	

<b>Repair kit</b>					
No.	CODE	Figure No.	Name	Qty	Remarks
1	21000300004	DHS40	DH type dust ring 40 x 48 x 5 x 6.5	1	Table4-1/1
2	21000100002	GB3452.1	O-ring 50×3.55	1	Table4-1/5
3	21000400003	UHS40	UHS sealing ring 40×50×6	1	Table4-1/6
4	21000100003	GB3452.1	O-ring 23.6×3.55	1	Table4-1/10
5	21000800002	BDA-03014	Guide ring for holes	1	Table4-1/12
6	21000400001	UHS45	UHS sealing ring 45×56×7	1	Table4-1/13