

**EK30TLP, EK35TLP &
EK40TLP**

Counterbalanced LPG Forklift

- Load Capacity 6,000-8,500 lbs.
- Lift Height 185"
- 37.9" Free Lift
- Triple Mast
- Tilt 6°/6°
- Side Shift
- 4th Valve Function
- Solid Pneumatic Tires
- MAX Driving Speed 12.1 MPH
- Available with PSI Engine
or KUBOTA Engine



EK30TLP & EK35TLP & EK40TLP **Counterbalanced LPG FORKLIFT**

Superior quality, maneuverable, compact, and durable for all your material handling applications. Ideal for small aisles and areas.

WEIGHT CAPACITY: 6000-8500 lbs. @ 24" load center

LIFT HEIGHT: 185"

FORKS: 42"-42.1"

MAST HEIGHT: lowered 86.2", lifted 234"

TURNING RADIUS: 96.2"- 99.6"

FREE LIFT: 37.9"

SIDE SHIFT – 3 Way Valve

SPEED TRAVEL: Unloaded 12.1 MPH/

Loaded 11 MPH

Lifting Speed: Loaded 14.9-17.7 in/s., unloaded 18.9-19.6 in/s.

WHEELS: Solid Pneumatic Tires

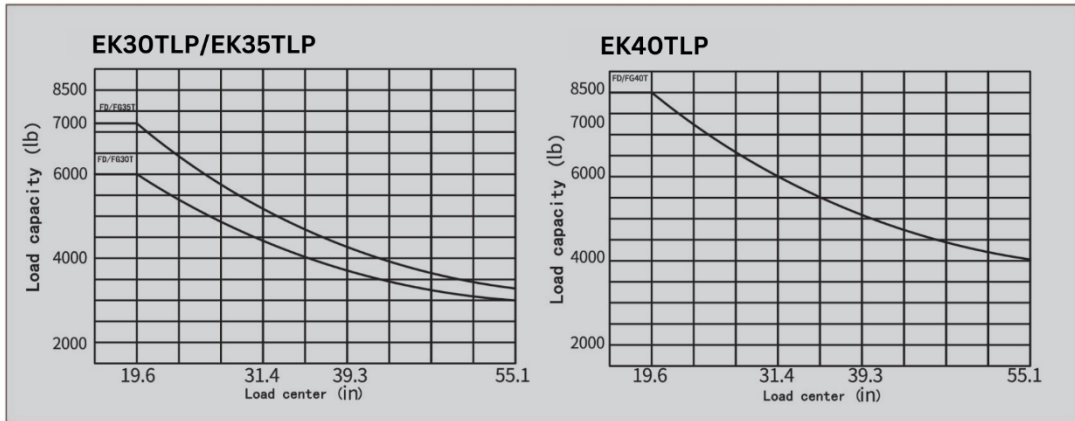
PSI 2.5L Engine, OR, KUBOTA Engine

BRAKES: Service brake Hydraulic Foot Pedal, Parking Brake Mechanical-hand Lever

LIGHTING: LED Headlights, rear lights Brake lights, strobe light and backup alarm.

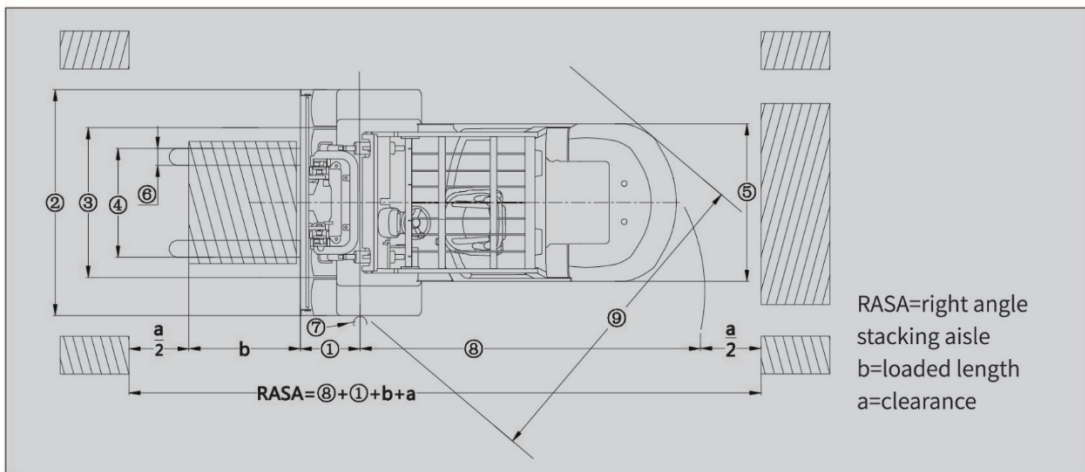
OPERATOR CONTROLS: EPS (Electric Power Steering), tilt lifting, lowering, side shifting forks, 4th function plumbed to carriage; horn functions; Led lighting; Battery Discharge indicator and travel speed Odometer.





Notes:

Vertical axis represents load capacity; Horizontal axis shows load center, Load center are determined from front face of the fork.
Capacity based on a 39.3 in cube load configuration with the center of gravity at the true center of the cube, and standard fork.
The load capacity will be reduced while the mast tilt forward or loading with long fork or lifting transformable width of goods.
Getting the load capacities at the various load centers timely via the load curve.



Specifications(front single tires).

| Model | EK30TLP | EK35TLP | EK40TLP |
|-----------------------|----------|----------|----------|
| | in | in | in |
| ①Front Overhang | 18.8 | 19 | 19.1 |
| ②Total Width | 48.2 | 50.5 | 52.9 |
| ③Front Track | 39.3 | 41.7 | 44 |
| ④Fork Spread(outside) | 9.8~42.9 | 9.8~46.8 | 9.8~46.8 |
| ⑤Rear Track | 38.1 | 38.1 | 38.2 |
| ⑥Fork Width | 4.9 | 4.9 | 5.9 |

| MODEL # | CAPACITY | LIFT HEIGHT | FREE LIFT | MAST HEIGHT | SERVICE WEIGHT |
|---------|-----------|-------------|-----------|-------------|----------------|
| EK30TLP | 6000 LBS. | 185" | 37.9" | 86.2" | 10,108 LBS. |
| EK35TLP | 7000 LBS. | 185" | 37.9" | 86.2" | 10,967 LBS. |
| EK40TLP | 8500 LBS. | 185" | 37.9" | 86.2" | 11,519 LBS. |