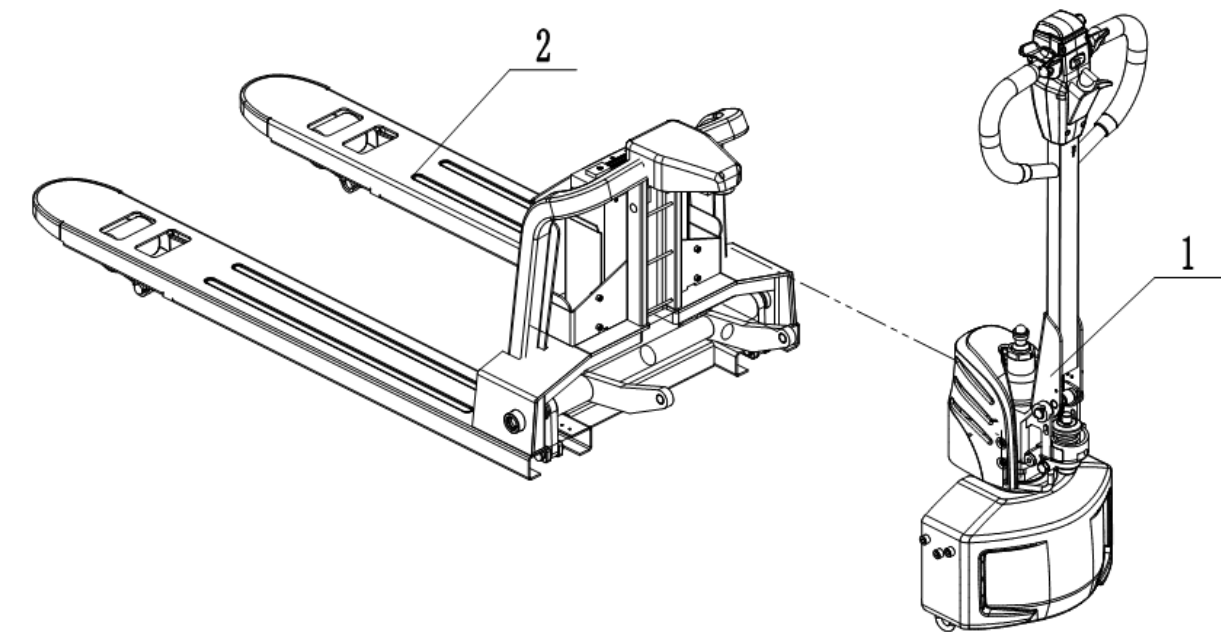


EP15SLP/EP18SLI
ELECTRIC PALLET TRUCK
PART MANUAL

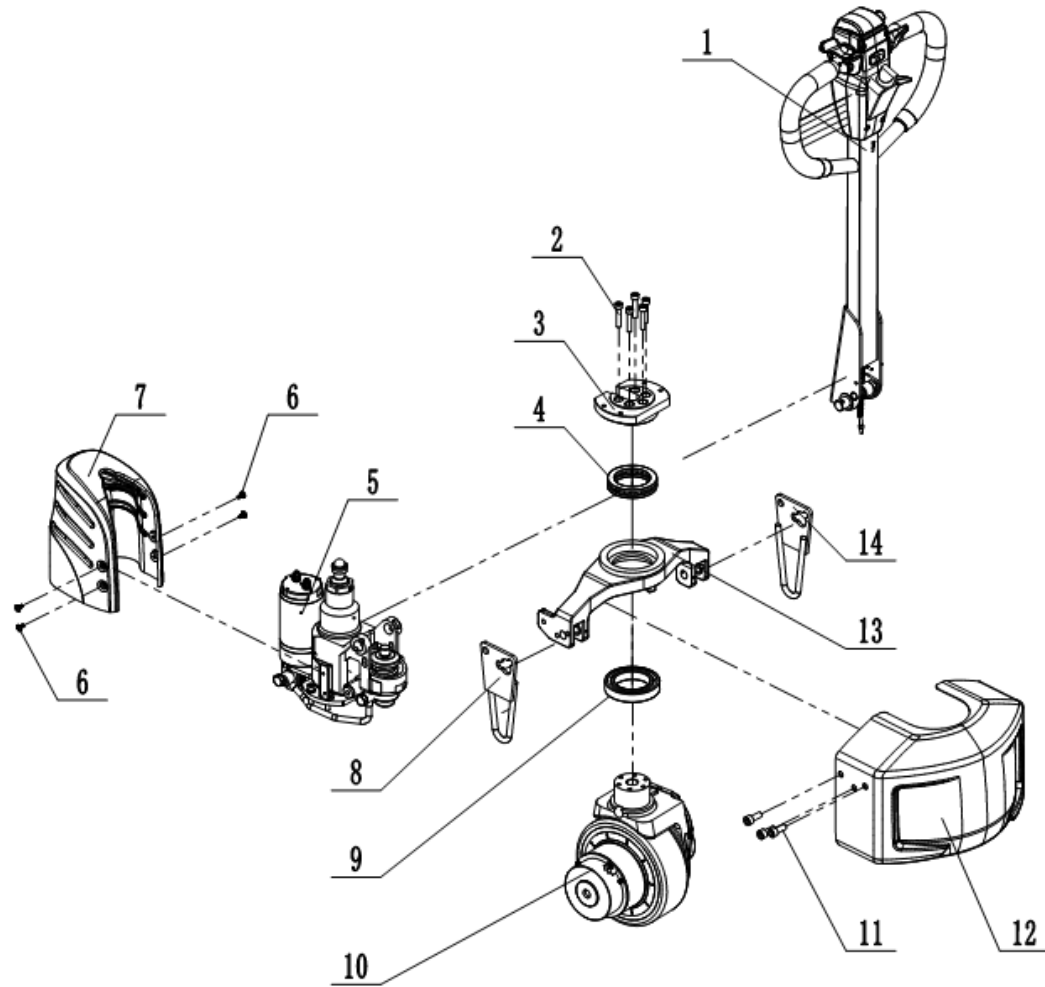


全电动搬运车 || ELECTRIC PALLET TRUCK



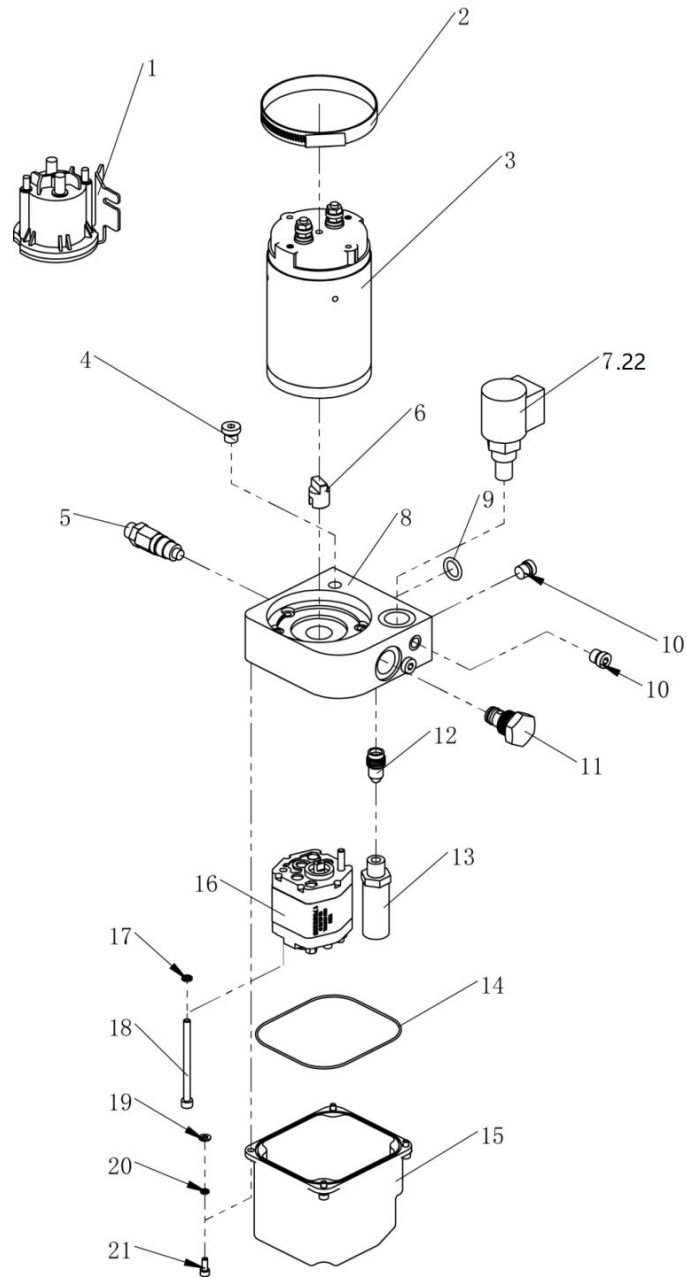
序号 Index	代码 Part No.	零件名称	Part Name	数量 Qty	适用日期 Applied Date	备注 Remark
1	20105110034	转向系统总成	Steering System Assembly	1		
2	20105110035	车架组件	Frame assembly	1		

1. 操作系统总成 || Operating System Assembly



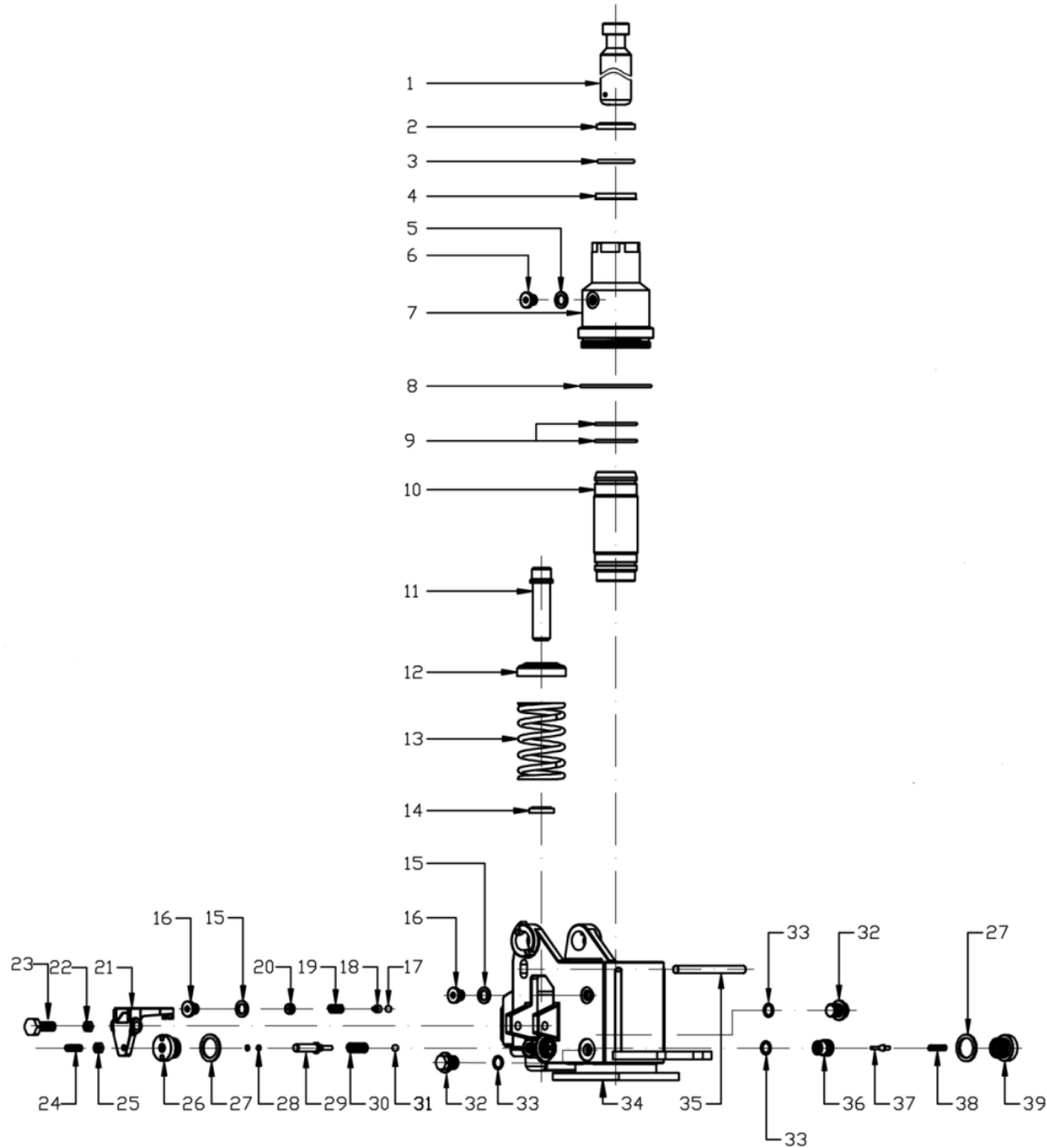
序号 Index	代码 Part No.	零件名称	Part Name	数量 Qty	适用日期 Applied Date	备注 Remark
1	20105160007	操作系统组件	Operating system assembly	1		Electric release
	20105160008	操作系统组件	Operating system assembly	1		Manual release
2	50201080018	内六角圆柱头螺钉 M8×40	Hexagon socket head cap screw	5		
3	77705050093	连接法兰	Connecting flange	1		
4	50805650001	推力球轴承51113	Thrust ball bearing	1		
5	20105110036	液压系统总成	Hydraulic system assembly	1		Electric release
	20105110037	液压系统总成	Hydraulic system assembly	1		Manual release
6	50211050007	大扁头十字螺钉M5×12	Large flat head cross screw	4		
7	73505017001	电机罩	Motor cover	1		
8	77705050048	平衡支架焊合右	Right balance bracket welding assembly	1		
9	50801650001	深沟球轴承6013-2RS	Deep groove ball bearing	1		
10	83101241001	驱动总成	Driving Motor Assembly	1		
11	50201100004	内六角圆柱头螺钉 M10×25	Hexagon socket head cap screw	6		
12	73505008009	驱动罩	Drive cover	1		
13	77705050021	承载桥	Load-bearing bridge	1		
14	77705050049	平衡支架焊合左	Left balance bracket welding assembly	1		

1.1 动力单元总成 || Pump Station Assembly



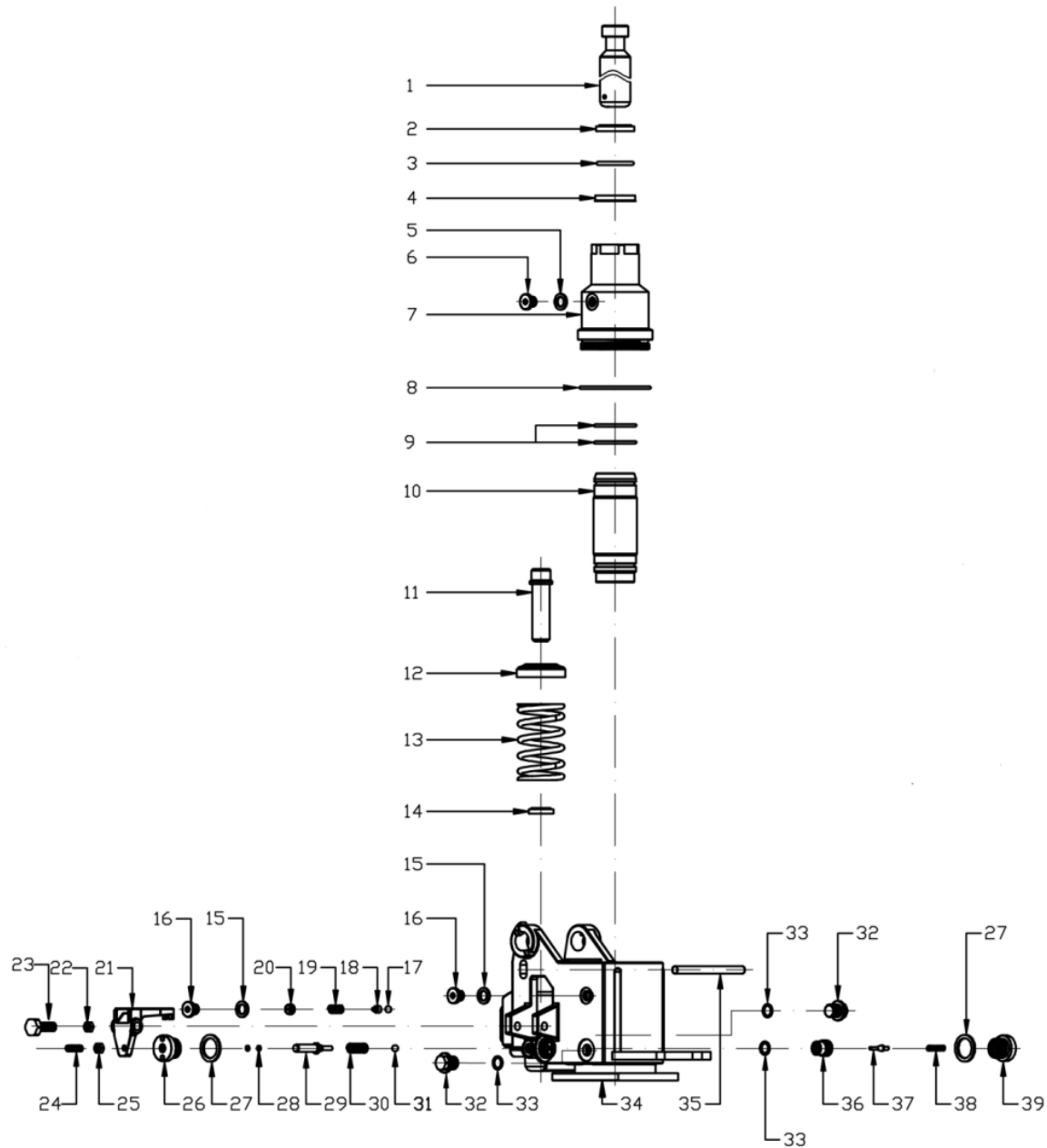
序号 Index	代码 Part No.	零件名称	Part Name	数量 Qty	适用日期 Applied Date	备注 Remark
1	A7060355029	接触器	Contactor	1		
2	A6162607029	抱箍	Bind hoop	1		
3	A6162603028	电机	Motor	1		
4	A6163101043	消声器	Silencer	1		
5	A7060621077	联轴器	Coupling	1		
6	A6165102022	电磁阀	Electromagnetic valve	1		
7	A7010110032	中心块	Center valve block	1		
8	A6165109081	O型圈	O-ring	1		
9	A7060901041	堵头	Plug	1		
10	A5020120021	压补阀G1/4	Pressure-compensated valve	3		
11	A7010110033	单向阀	One-way valve	1		
12	A6019001069	压补阀G1/4	Pressure-compensated valve	1		
13	A7900301038	回油管	Oil return pipe	1		
14	A8090124020	O型圈	O-ring	1		
15	A7310207926	油箱	Oil box	1		
16	A6117101622	齿轮泵	Gear pump	1		
17	A6163601022	弹垫5	Spring washer	2		
18	A5050103021	螺钉M5×60	Screw	2		
19	A7310207927	平垫	Flat washer	4		
20	A6117101623	弹垫	Spring washer	4		
21	A6163601023	螺钉M4×10	Screw	4		
22	A5050103022	线圈	Coil	1		

1.2 液压系统总成 (手动下降) || Hydraulic System Assembly (Manual Descent)



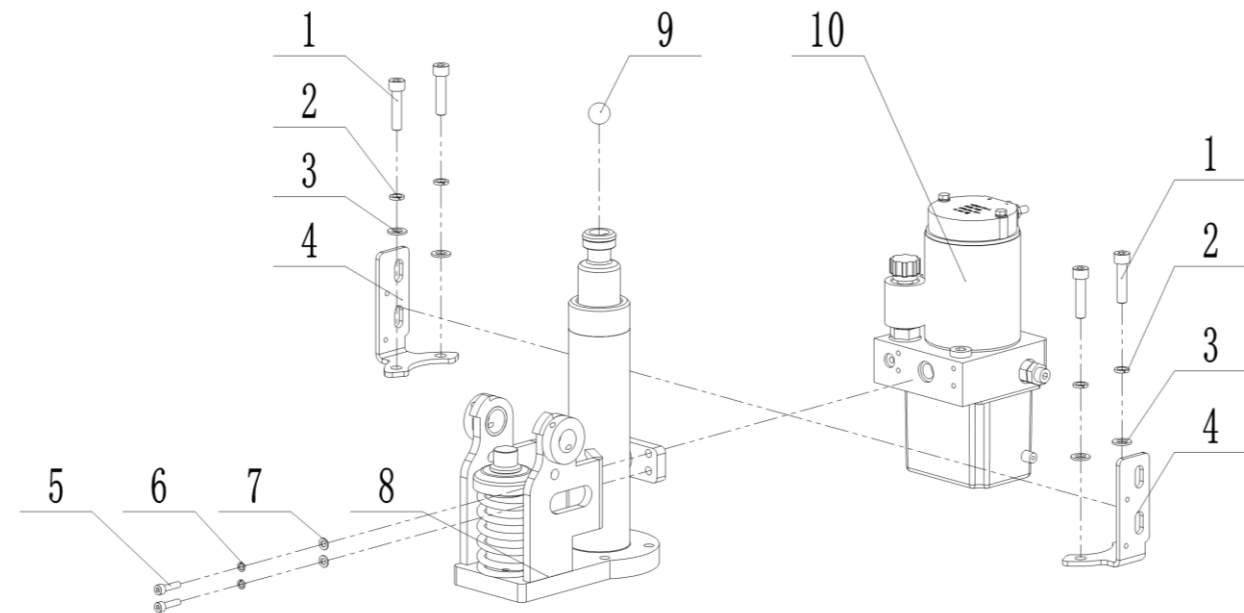
序号 Index	代码 Part No.	零件名称	Part Name	数量 Qty	适用日期 Applied Date	备注 Remark
1	A7060355027	柱塞杆	Plunger rod	1		
2	61171210014	防尘圈 φ32*φ40*5/6.5	Dust proof ring	1		
3	61171010026	O型圈D32*3.55	O-ring	1		
4	61171110011	密封圈φ32*φ42*6	Seal ring	1		
5	60622140001	丁腈半包组合垫 φ14	Sealing gasket	3		
6	A6165102020	螺塞	Screw plug	3		
7	A7010110028	外缸	Outer cylinder	1		
8	61171010012	O型圈D65*2.65	O-ring	1		
9	61171010027	O型圈D37.5*2.65	O-ring	2		
10	A5020120019	内缸	Inner cylinder	1		
11	A7010110029	泵芯	Pump core	1		
12	A6019001067	压盖	Gland	1		
13	A7900301036	弹簧	spring	1		
14	61171210015	防尘圈φ18*φ26*5	Dust proof ring	1		
15	A7310207923	密封垫10	Sealing gasket	3		
16	A6117101619	螺塞	Screw plug	3		
17	A6163601020	钢球	Steel ball	1		
18	A5050103019	安全阀座	Safety valve seat	1		
19	A7310207924	安全阀弹簧	Safety valve spring	1		
20	A6117101620	调节螺钉	Adjusting screw	1		

1.2 液压系统总成 (手动下降) || Hydraulic System Assembly (Manual Descent)



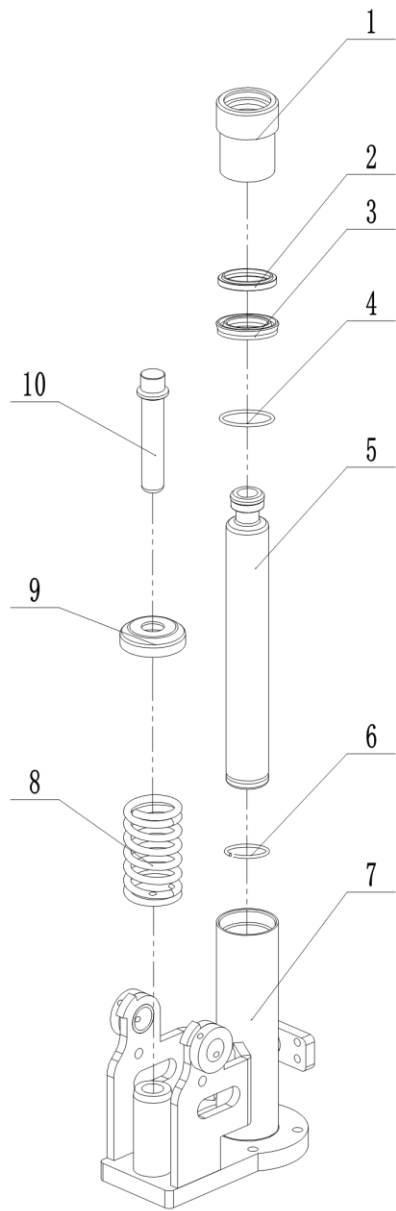
序号 Index	代码 Part No.	零件名称	Part Name	数量 Qty	适用日期 Applied Date	备注 Remark
21	A6163601021	开关板	Switch plate	1		
22	A5050103020	螺母	Nut	1		
23	A5021102118	螺钉	Screw	1		
24	A7060355028	螺钉	Screw	1		
25	A6162607028	螺母	Nut	1		
26	A6162603027	铜螺母	Brass nut	1		
27	A6163101042	密封垫20	Sealing gasket	2		
28	A7060621076	O型圈	O-ring	2		
29	A6165102021	顶杆	Ejector pin	1		
30	A7010110030	顶杆弹簧	Ejector pin spring	1		
31	A6165109080	钢球	Steel ball	1		
32	A7060901040	堵头	Plug	2		
33	A5020120020	O型圈	O-ring	2		
34	A7010110031	油泵焊接	Oil pump welding	1		
35	A6019001068	定位杆	Positioning rod	1		
36	A7900301037	阀体	Valve body	1		
37	A8090124019	阀芯	Valve spool	1		
38	A7310207925	阀芯弹簧	Valve spool spring	1		
39	A6117101621	螺塞	Screw plug	1		

1.3 液压系统总成 (电动下降) || Hydraulic System Assembly (Electric Descent)



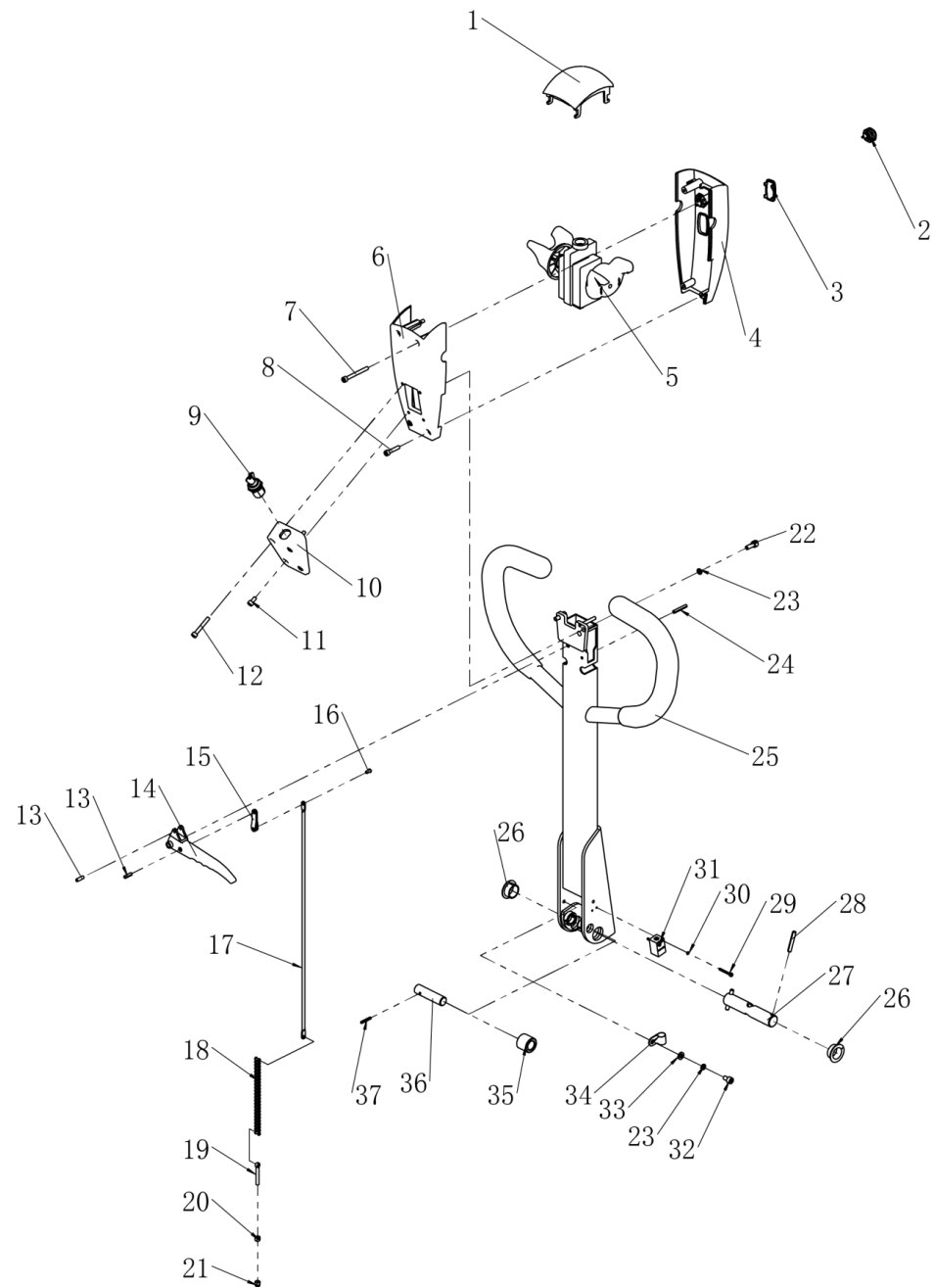
序号 Index	代码 Part No.	零件名称	Part Name	数量 Qty	适用日期 Applied Date	备注 Remark
1	50201080010	内六角圆柱头螺钉 M8*30	Hexagon socket head cap screw	4		
2	50511080001	弹性垫圈φ8	Resilient washer	4		
3	50501080001	圆形垫圈φ8	Round washer	4		
4	77705050094	支架	Bracket	2		
5	50201050011	内六角圆柱头螺钉 M5*20	Hexagon socket head cap screw	4		
6	50511050001	弹性垫圈φ5	Resilient washer	4		
7	50501050001	圆形垫圈φ5	Round washer	4		
8	A7060901044	油缸总成	Oil cylinder assembly	1		
9	79001190001	钢球φ19.05	Steel ball	1		
10	A5020120024	动力单元	Power unit	1		

1.3 油缸总成 (电动下降) || Cylinder Assembly (Electric Descent)



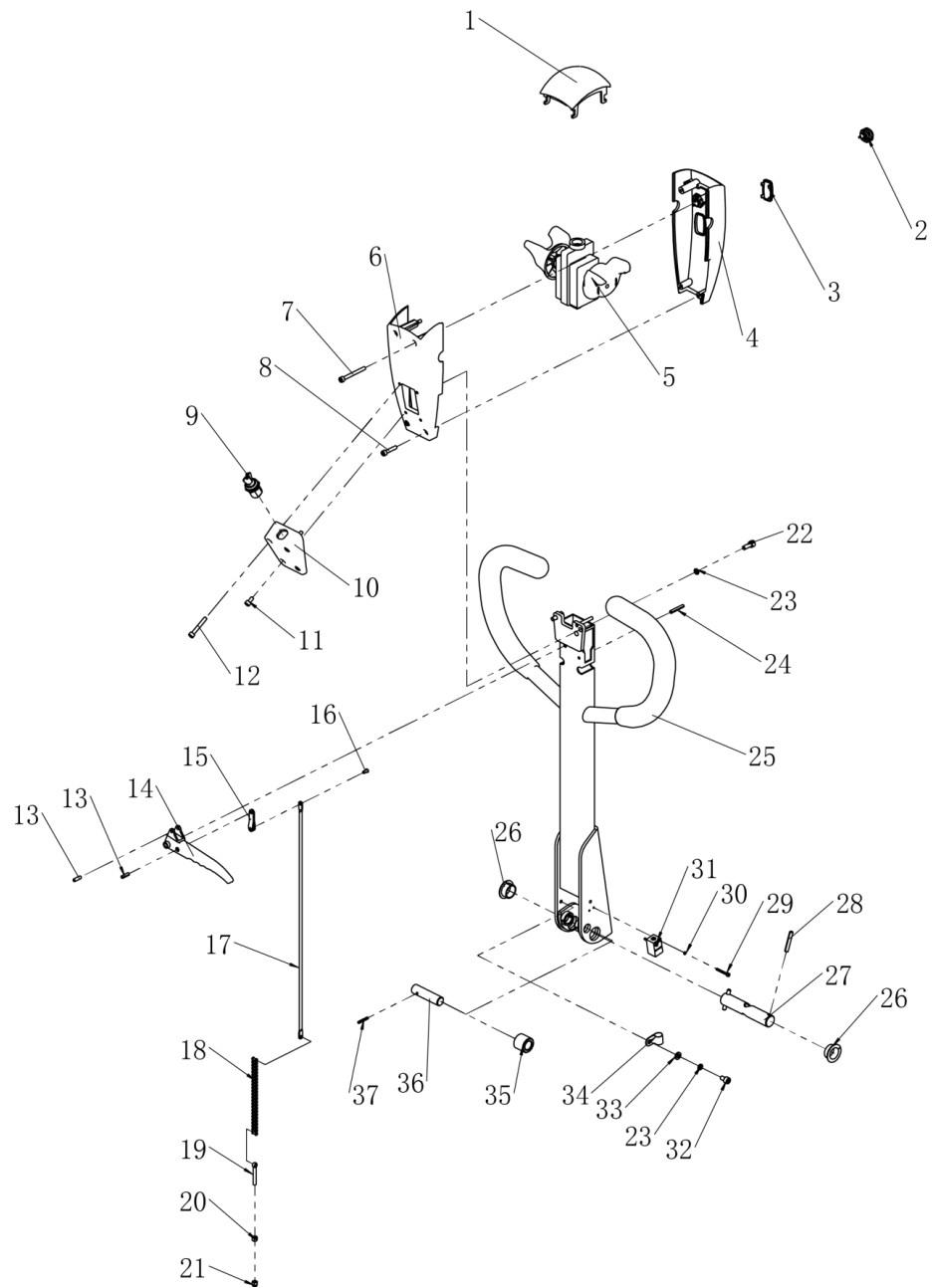
序号 Index	代码 Part No.	零件名称	Part Name	数量 Qty	适用日期 Applied Date	备注 Remark
1	A7060355031	导向套	Guide sleeve	1		
2	61171210016	防尘圈 φ35*φ43.5*5/6.5	Dust proof ring	1		
3	61171110005	密封圈φ35*φ45*6	Seal ring	1		
4	A6163101045	O型圈	O-ring	1		
5	A7060621079	活塞杆	Piston rod	1		
6	A6165102024	轴用挡圈	Bearing use washer	1		
7	A7010110036	缸筒焊合	Cylinder barrel welding assembly	1		
8	A6165109083	压缩弹簧	Compression spring	1		
9	A7060901043	弹簧盖	Spring cover	1		
10	A5020120023	小活塞杆	Small piston rod	1		

1.5 操作系统组件 (手动下降) || Operating System Components (Manual Descent)



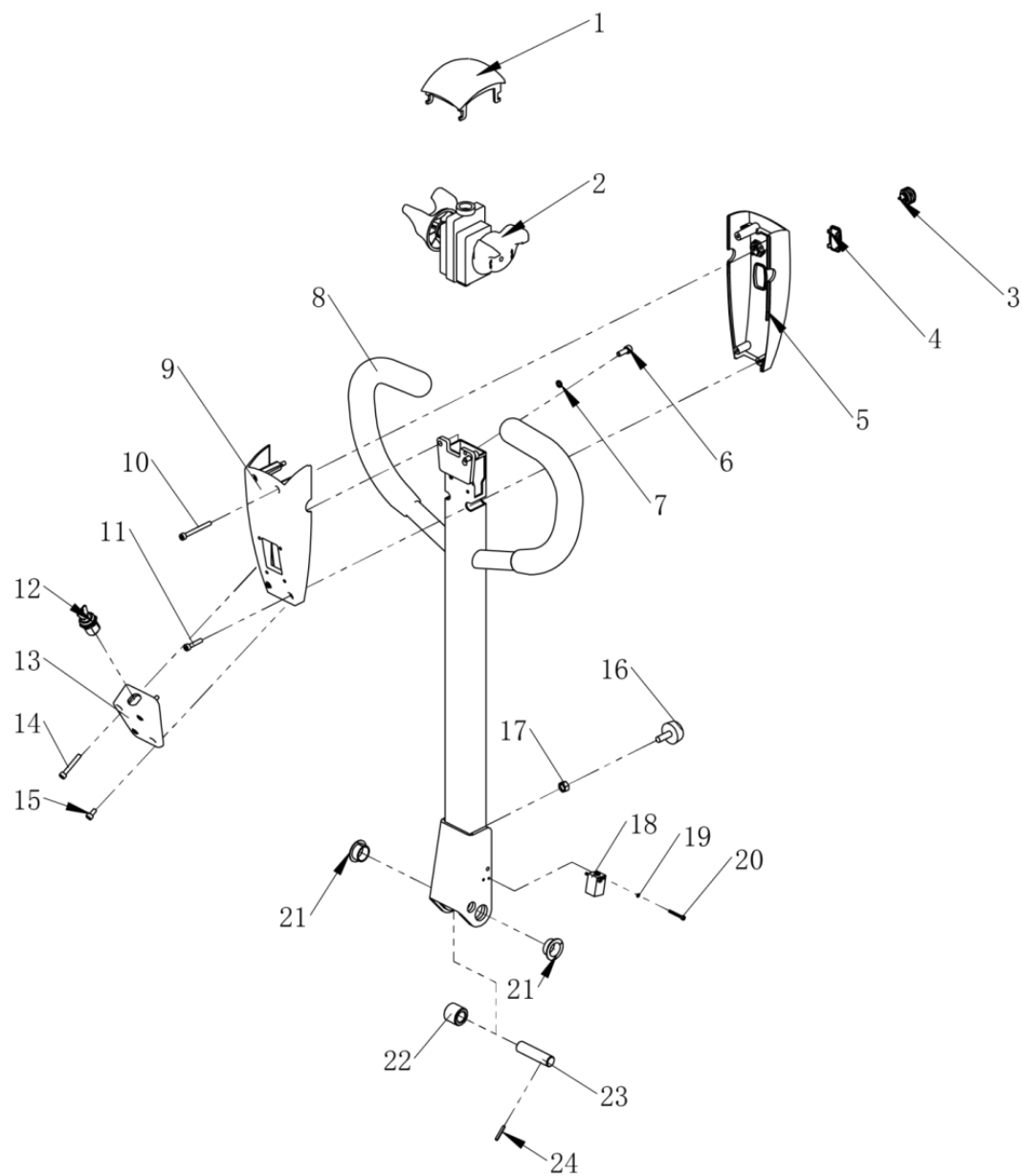
序号 Index	代码 Part No.	零件名称	Part Name	数量 Qty	适用日期 Applied Date	备注 Remark
1	A7060355030	肚皮开关	Reversed emergency button	1		
2	A6162607032	按钮开关	Push button switch	2		
3	A6162603029	电量表	Battery meter	1		
4	A6163101044	上罩	Upper cover	1		
5	A7060621078	加速器	Accelerator	1		
6	A6165102023	下罩	Lower cover	1		
7	50201050013	内六角圆柱头螺钉 M5×50	Hexagon socket head cap screw	2		
8	50201050004	内六角圆柱头螺钉 M5×25	Hexagon socket head cap screw	2		
9	A7010110034	钥匙开关	Key switch	1		
10	A6165109082	手柄盒盖	Handle box cover	1		
11	50201050010	内六角圆柱头螺钉 M5×10	Hexagon socket head cap screw	2		
12	50201050012	内六角圆柱头螺钉 M5×35	Hexagon socket head cap screw	2		
13	50601040009	圆柱销Φ4×16	Cylindrical pin	2		
14	A7060901042	拉手	Handle	1		
15	A5020120022	连板	Connect plate	1		
16	A7010110035	销轴Φ4×8	Axis pin	1		
17	A6019001070	拉杆	Pull rod	1		
18	A7900301039	链条	Chain	1		

1.5 操作系统组件 (手动下降) || Operating System Components (Manual Descent)



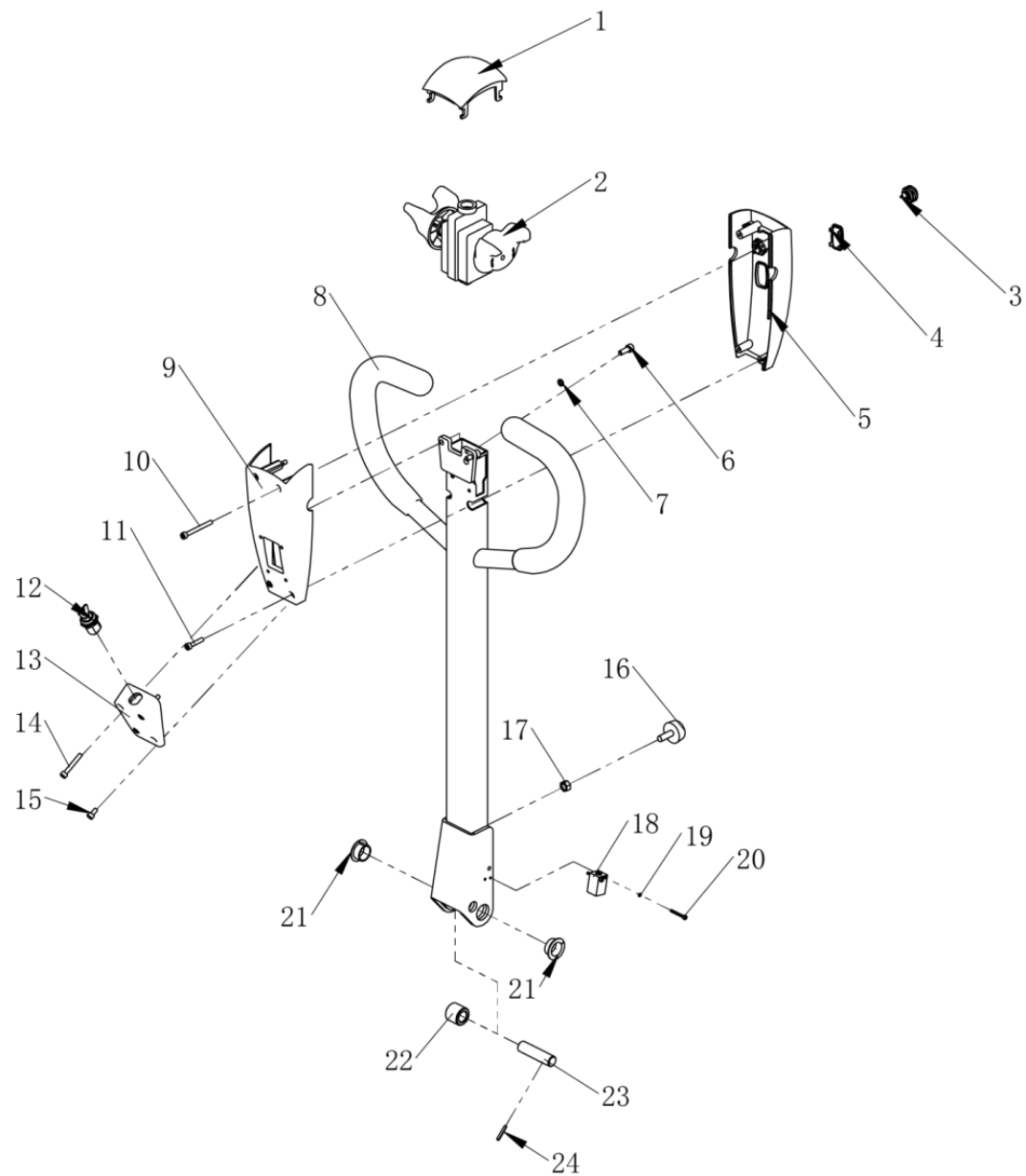
序号 Index	代码 Part No.	零件名称	Part Name	数量 Qty	适用日期 Applied Date	备注 Remark
19	A8090124021	带孔螺栓	Bolt with hole	1		
20	50301050001	螺母M5	Nut	1		
21	50301050001	螺母M5	Nut	1		
22	50201060005	内六角圆柱头螺钉 M6×16	Hexagon socket head cap screw M6×16	2		
23	50511060001	弹性垫圈φ6	Resilient washer	3		
24	50601040007	圆柱销φ4×30	Cylindrical pin	1		
25	75303010015	手柄杆焊合	Handle welded par	1		
26	72902200003	带肩复合套 20*23*10/30	Shouldered composite bushing	2		
27	70101200042	传动轴φ20*105	Drive shaft	1		
28	50601050006	圆柱销φ5*35	Cylindrical pin	2		
29	50211030003	十字槽盘头螺钉 M3*25	Cross recess pan head screw M3*25	2		
30	50511030001	弹性垫圈φ3	Resilient washer	2		
31	80119010009	接近开关 AZ17M05PNK 10- 30VDC	Proximity switch	1		
32	50201060001	内六角圆柱头螺钉 M6*10	Hexagon socket head cap screw M6*10	1		
33	50501060001	圆形垫圈φ6	Round washer	1		
34	A7310207928	卡箍	Clamp	1		
35	A6117101624	下压滚子	Press roller	1		
36	70101150001	压轴φ15*60	Press shaft	1		
37	50601030001	圆柱销φ3*22	Cylindrical pin	1		

1.6 操作系统组件 (电动下降) || Operating System Components (Electric Descent)



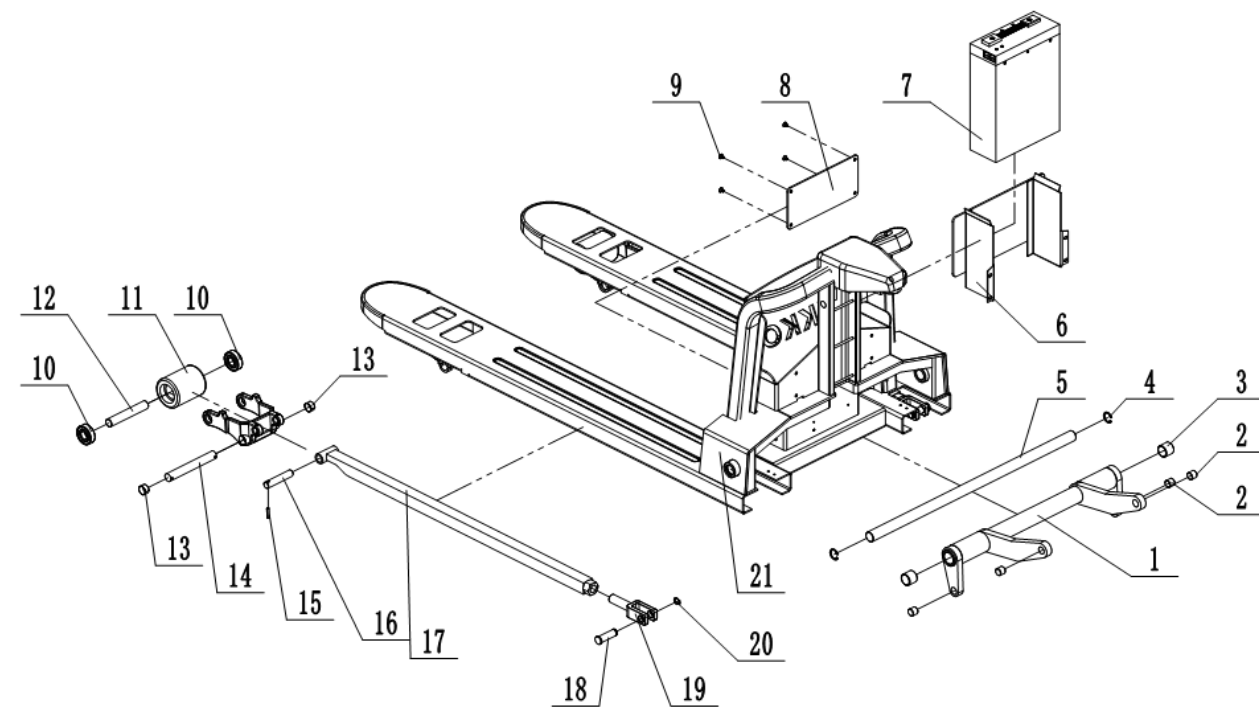
序号 Index	代码 Part No.	零件名称	Part Name	数量 Qty	适用日期 Applied Date	备注 Remark
1	A7060355030	肚皮开关	Reversed emergency button	1		
2	A7060621078	加速器	Accelerator	1		
3	A6162607032	按钮开关	Push button switch	2		
4	A6162603029	电量表	Battery meter	1		
5	A6163101044	上罩	Upper cover	1		
6	50511060001	弹性垫圈φ6	Resilient washer	3		
7	50601040007	圆柱销φ4×30	Cylindrical pin	1		
8	75303010015	手柄杆焊合	Handle welded par	1		
9	A6165102023	下罩	Lower cover	1		
10	50201050013	内六角圆柱头螺钉 M5×50	Hexagon socket head cap screw	2		
11	50201050004	内六角圆柱头螺钉 M5×25	Hexagon socket head cap screw	2		
12	A7010110034	钥匙开关	Key switch	1		

1.6 操作系统组件 (电动下降) || Operating System Components (Electric Descent)



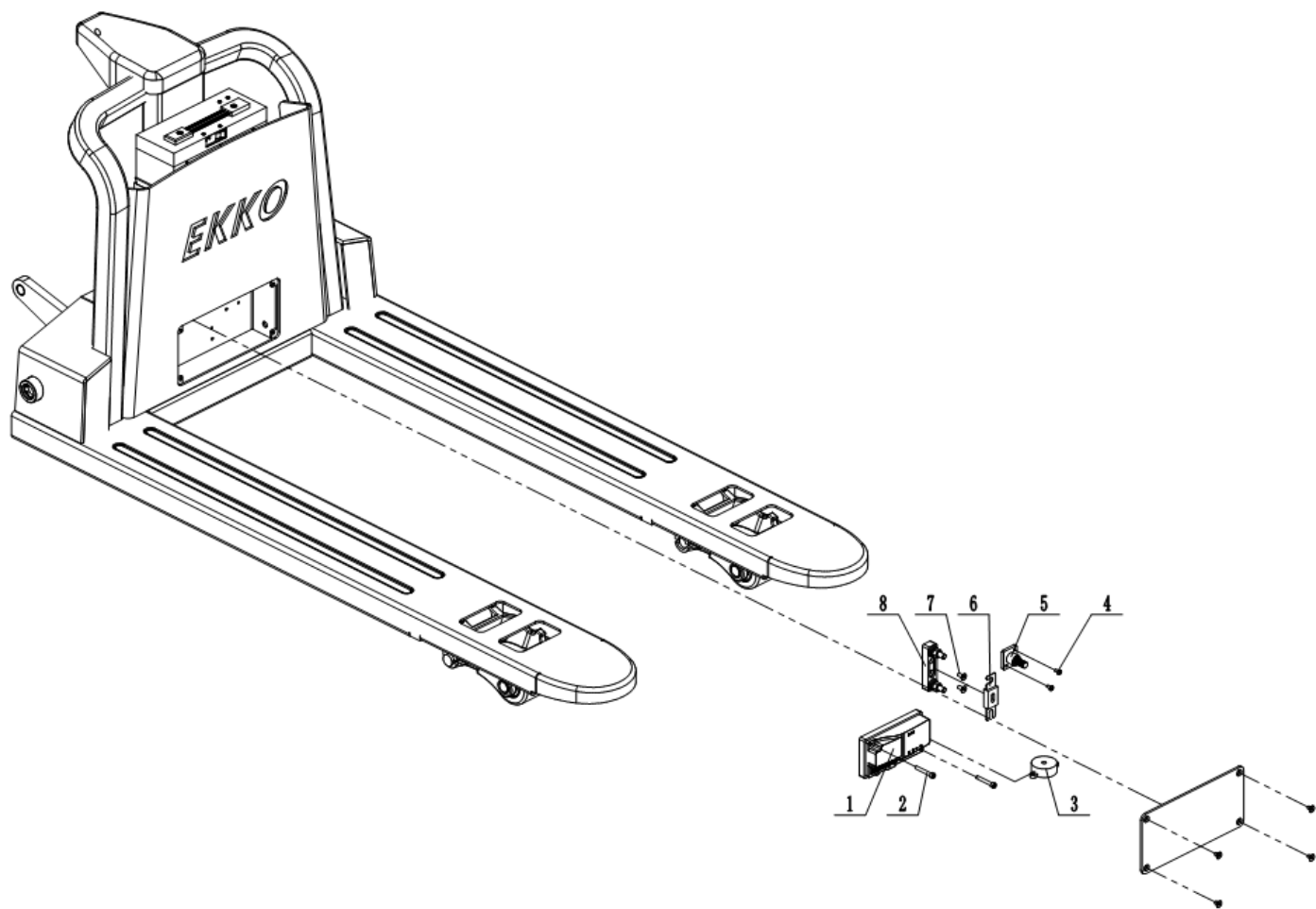
序号 Index	代码 Part No.	零件名称	Part Name	数量 Qty	适用日期 Applied Date	备注 Remark
13	A6165109082	手柄盒盖	Handle box cover	1		
14	50201050010	内六角圆柱头螺钉 M5×10	Hexagon socket head cap screw M5×10	2		
15	50201050012	内六角圆柱头螺钉 M5×35	Hexagon socket head cap screw M5×35	2		
16	A7310207929	螺钉	Screw	1		
17	A6117101625	螺母	Nut	1		
18	80119010009	接近开关 AZ17M05PNK 10- 30VDC	Proximity switch	1		
19	50511030001	弹性垫圈φ3	Resilient washer	2		
20	50211030003	十字槽盘头螺钉 M3×25	Cross recess pan head screw M3×25	2		
21	72902200003	带肩复合套 20*23*10/30	Shouldered composite bushing	2		
22	A6117101624	下压滚子	Press roller	1		
23	70101150001	压轴φ15*60	Press shaft	1		
24	50601030001	圆柱销φ3*22	Cylindrical pin	1		

2. 车架系统 || Truck Frame



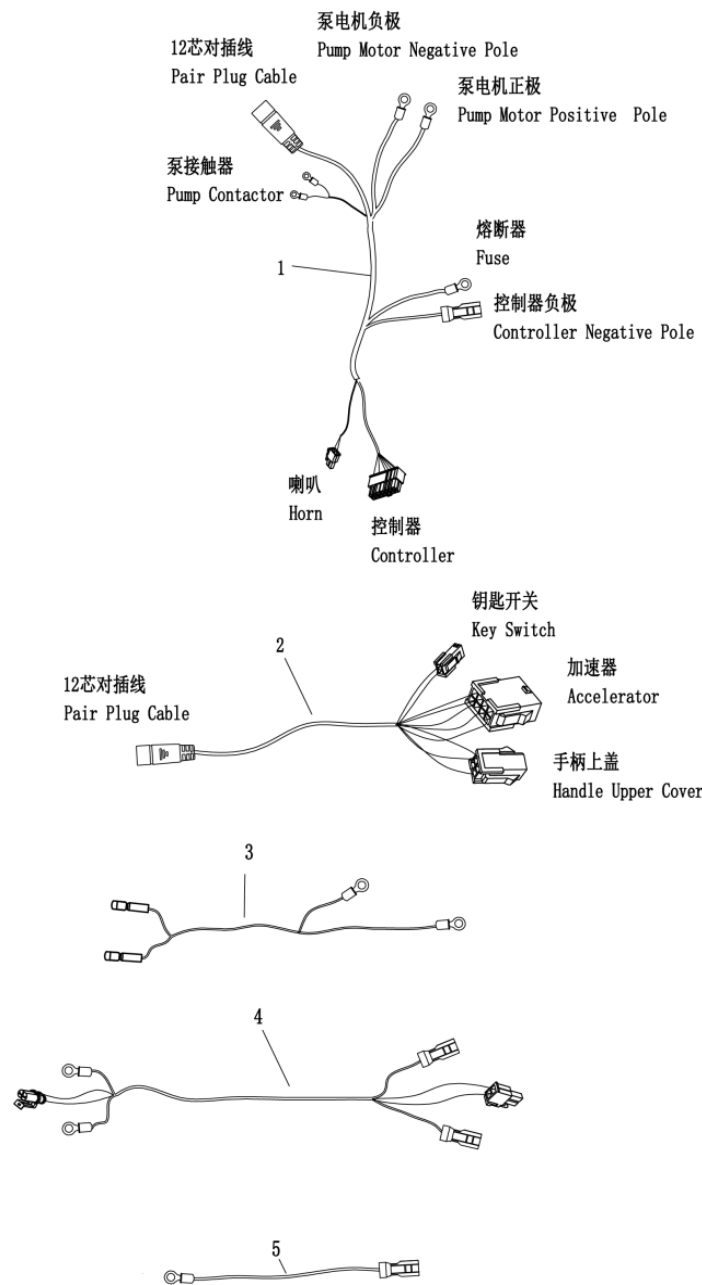
序号 Index	代码 Part No.	零件名称	Part Name	数量 Qty	适用日期 Applied Date	备注 Remark
1	75101010012	圆环棒焊合	Ring rod welding assembly	1		685
2	72901160001	复合衬套φ18*φ16*15	Composite bush	4		
3	72901250001	复合衬套φ29*φ25*25	Composite bush	2		
4	50521252001	孔用弹性挡圈φ25	Hole use circlip	2		
5	75101210006	圆环棒轴φ24.5*668	Column axle	1		
6	77705050092	电池挡板焊合	Battery baffle welding assembly	1		
7	81103246004	电池组件	Battery assembly	1		25.6V30Ah
	81103246006	电池组件	Battery assembly	1		25.6V40Ah
8	77705050091	盖板	Cover	1		
9	50203050013	内六角沉头螺钉M5×8	Hexagon socket countersunk head screw	4		
10	50801200002	深沟球轴承6204-2RS	Deep groove ball bearing	4		
11	71501110003	直轮74*93	Straight wheel	2		
12	70101200039	轮轴20*122	Wheel axle	1		
13	72901200001	复合衬套20*22*12	Composite bush	4		
14	70101200041	力臂架轴φ20*150	Force arm frame shaft	2		
15	50601050003	弹性圆柱销φ5*26	Resilient column pin	2		
16	70101160006	推杆轴φ16*82	Push rod pin	2		
17	75901010002	推杆焊合件	Push rod welding assembly	2		
18	70101160003	推杆叉轴φ16*56	Push rod fork shaft	2		
19	75901210001	螺纹叉	Threaded fork	2		
20	50521151001	轴用弹性挡圈φ15	Bearing-use elastic washer	2		
21	20105010026	车架焊合	Frame welding	1		

3.电控总成



序号 Index	代码 Part No.	零件名称	Part Name	数量 Qty	适用日期 Applied Date	备注 Remark
1	806012 43002	D2P控制器	Controller	1		
2	502010 50012	内六角圆柱头螺钉M5×35	Hexagon socket cap screw	2		
3	803270 10001	蜂鸣器HND-4216/24V	buzzer	1		
4	502110 40002	十字槽盘头螺钉M4×8	Hexagon socket cap screw	2		
5	821050 10001	接线柱M8	terminal	1		
6	816010 10002	保险丝200A	Fuse wire	1		
7	502030 50005	内六角沉头螺钉M5×12	Hexagon socket countersunk head screw	2		
8	816030 10001	保险丝座ANL-N	Fuse holder	1		

5. 动力线部件装配图 || Assembly Drawing of Power Line Components



序号 Index	代码 Part No.	零件名称	Part Name	数量 Qty	适用日期 Applied Date	备注 Remark
1	83701050034	车体线束	Wiring harness of vehicle body	1		
2	83701050033	手柄线束	Wiring harness of handle	1		
3	83711050073	车体电源线	Power cable of vehicle body	1		
4	83711050074	电机线	Motor cable	1		
5	83711050075	熔断器-控制器	Fuse-controller	1		

6. 易损件清单 || Spare Parts List

序号 Index	代码 Part No.	零件名称	Part Name	数量 Qty	图片/位置	备注 Remark
1	50805650001	推力球轴承51113	Thrust ball bearing	1	1/4	
2	50801650001	深沟球轴承6013-2RS	Deep groove ball bearing	1	1/9	
3	71501110003	直轮74*93	Straight wheel	2	2/11	
4	50521151001	轴用弹性挡圈φ15	Bearing-use elastic washer	2	2/20	
5	72901200001	复合衬套20*22*12	Composite bush	4	2/13	
6	72901160001	复合衬套φ18*φ16*15	Composite bush	4	2/2	
7	72901250001	复合衬套φ29*φ25*25	Composite bush	2	2/3	
8	50521252001	孔用弹性挡圈φ25	Hole use circlip	2	2/4	

序号 Index	代码 Part No.	零件名称	Part Name	数量 Qty	图片/位置	备注 Remark
9	61171210014	防尘圈 φ32*φ40*5/6.5	Dust proof ring	1	1.2/2	
10	61171010026	O型圈D32*3.55	O-ring	1	1.2/3	
11	61171110011	密封圈φ32*φ42*6	Seal ring	1	1.2/4	
12	60622140001	丁腈半包组合垫φ14	Sealing gasket	3	1.2/5	
13	61171010012	O型圈D65*2.65	O-ring	1	1.2/8	
14	61171010027	O型圈D37.5*2.65	O-ring	2	1.2/9	
15	61171210015	防尘圈φ18*φ26*5	Dust proof ring	1	1.2/14	
16	61171210016	防尘圈 φ35*φ43.5*5/6.5	Dust proof ring	1	1.3/2	
17	61171110005	密封圈φ35*φ45*6	Seal ring	1	1.3/3	