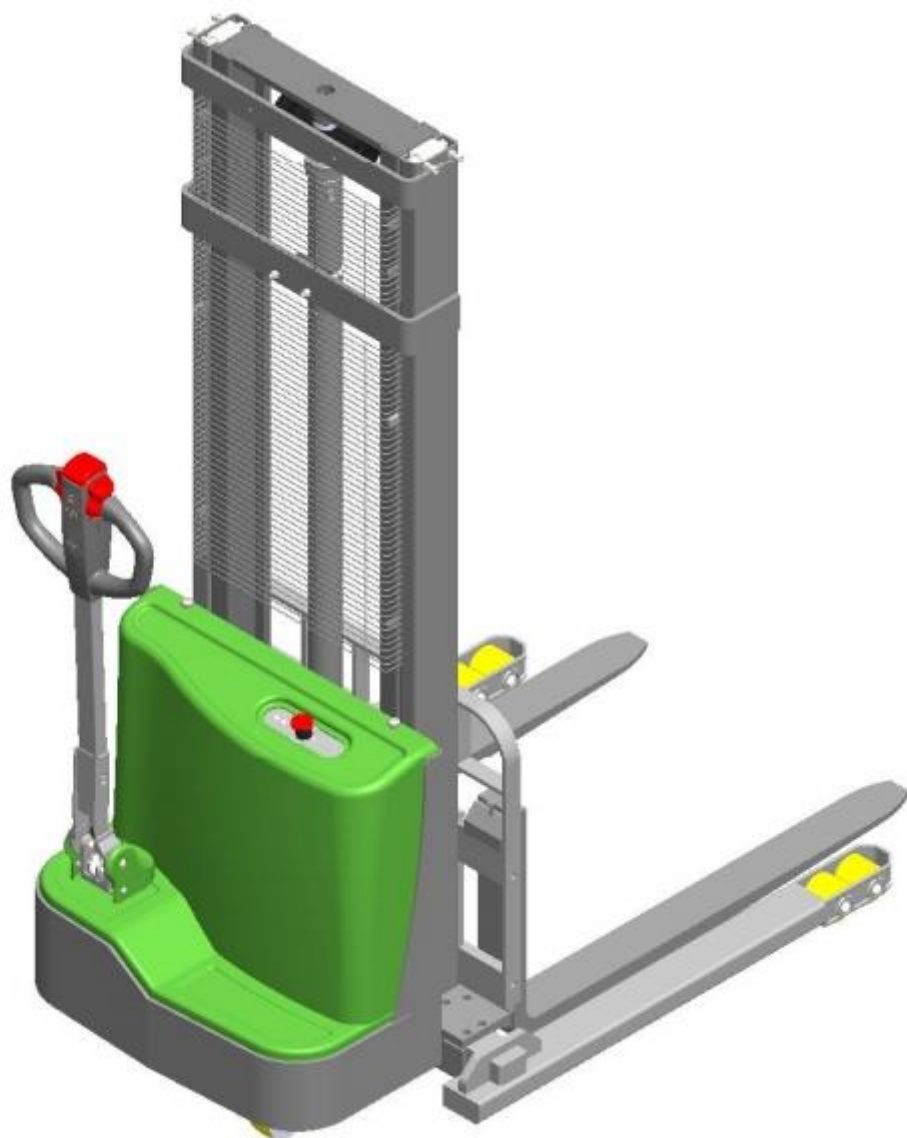


Parts List
Full Powered Straddle Stacker
EB13C-118/138Li



1.Tiller system

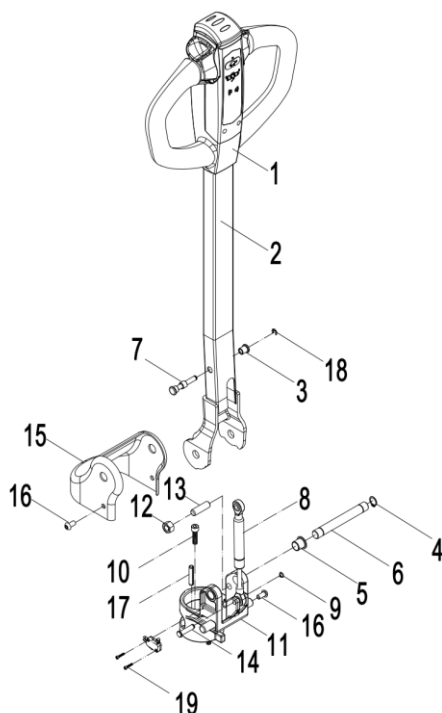


Figure1

No.	CODE	Figure No.	Name	Qty	Remarks
1	11003000017	DQ131601006	Electronic handle	1	
2	72003001208	QDA1502E0321100	Handle	1	
3	72003001207	QDA1502E0320003	Shaft sleeve	1	
4	22600900003	GB894. 1	retaining ring 16	2	
5	2310050000001	SF-1-16170	Flanged composite bushing	2	
6	72003000116	QDA12E-10004	Handle pin	1	
7	72003001206	QDA1502E0320002	pin	1	
8	72009040039	QDA1502E0320001	Gas spring	1	
9	22600900011	GB894. 1	retaining ring 8	1	
10	22101600036	GB70. 1	Screw M8×30	4	
11	7200600000135	QDA10EL-0300001	Steering coupling seat	1	
12	22400300006	GB6170	Nut M12	1	
13	22102600012	GB77	Screw M12×40	1	
14	72003000301	SP150-03002	Pin shaft 8 x 35	1	
15	75000400091	QDA12E-53000	Steering seat cover	1	
16	22101700008	GB70. 2	Screw M8×16	2	
17	22800700022	GB879. 1	Elastic cylindrical pin 8×40	1	
18	22601100002	GB896	Open stop ring 6	1	
19	22101600006	GB70. 1	Hexagonal cylindrical head Table screw M3×16	2	

2. Drive system

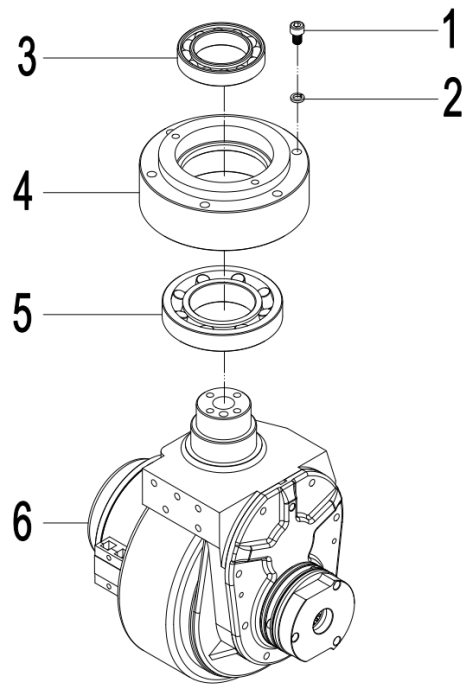


Figure2

No.	CODE	Figure No.	Name	Qty	Remarks
1	22101600036	GB70.1	Screw M8×30	6	
2	22501200004	GB93	Spring Cushion 8	6	
3	23000100002	GB276	Bearing 6010	1	
4	72004000048	QDA12E-20003A	Bearing block	1	
5	2300050000011	GB297	Bearing 32012	1	
6	71003000080	QBA15-02001	Drive assembly	1	

Table2-1

3. Drive assembly

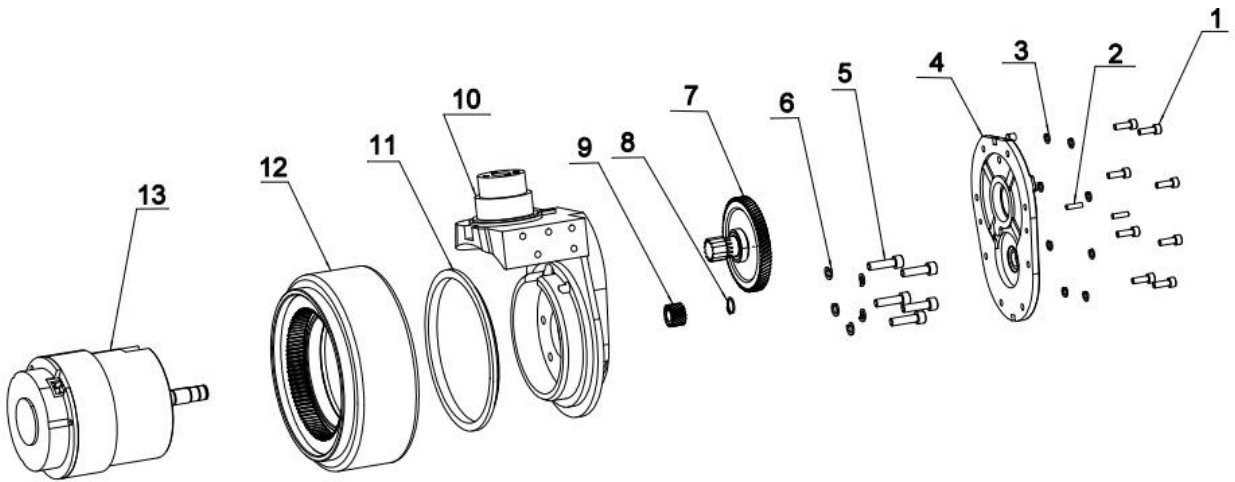


Figure3

No.	CODE	Figure No.	Name	Qty	Remarks
1	22101600154	GB/T70. 1	Hex socket screw M6x18	1	
2	40000000522	QBA15-08001	Cylindrical pin $\Phi 5 \times 18$	2	
3	2250140000007	GB/T859	Spring washer $\Phi 6$	8	
4	40000000523	QBA15-08002	Gear box cover	1	
5	22101600036	GB/T70. 1	Hex socket screw $M8 \times 30$	5	
6	22501400004	GB/T859	Spring washer $\Phi 8$	5	
7	40000000524	QBA15-08003	Gear shaft and helical gear assembly	1	
8	22600900020	GB/T894. 1	Retaining ring $\Phi 15$	1	
9	40000000525	QBA15-08004	Helical gear	1	
10	40000000526	QBA15-08005	Reducer housing	1	
11	40000000527	QBA15-08006	Oil seal 155*173*8.5 OTC	1	
12	40000000528	QBA15-08007	Driving wheel $\Phi 210 \times 75$	1	
13	40000000529	QBA15-08008	Motor 750W	1	

Table3-1

4. Balance wheel

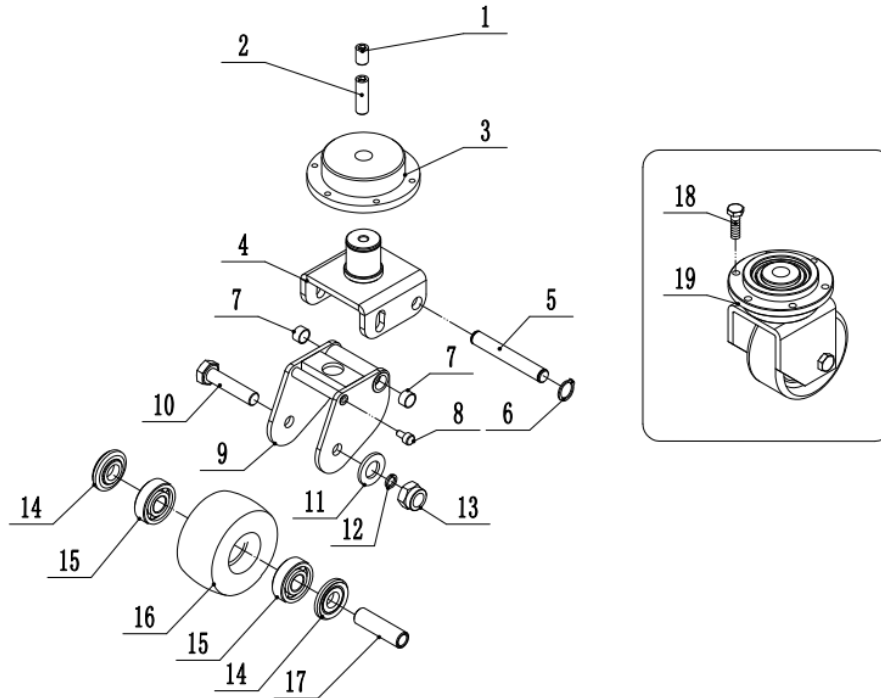


Figure4

No.	CODE	Figure No.	Name	Qty	Remarks
1	22102600013	GB77	Screw M16×18	1	
2	22102600014	GB77	Screw M16 x 50	1	
3	23009900001	QBA20B-02083	bearing	1	
4	8D057006001	QBA20B-02087	Upper seat assembly	1	
5	72003000128	QBA20B-02088	pin	1	
6	22600900010	GB894. 1	Retaining ring 12	1	
7	23100100003	SF-1-1210	Composite bushing	2	
8	22101600024	GB70. 1	Screw M6x10	2	
9	8D057005001	QBA20B-02086	Lower seat assembly	1	
10	22000300030	GB5782	Bolt M14 x 110	1	
11	22500100009	GB97. 1	Plain washer 14	1	
12	22501200007	GB93	Standard spring washer 14	1	
13	22403000011	GB889. 1	Nut M14	1	
14	75000300030	QBA20B-02091	Dust ring pad	2	
15	23000100010	GB276	Bearing 6304	2	
16	7100300000103	QBA-04026	Universal wheel	1	
17	7200400000412	QBA20B-02090	liner	1	
18	22101600034	GB70. 1	Screw M8×20	6	
19	8D19400100001	QDA10EL-1701000	Balance wheel assembly	1	

Table4-1

5.Hydraulic system

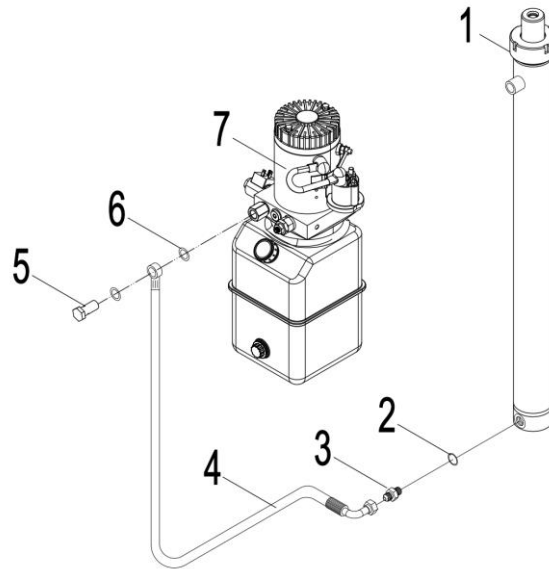


Figure5

No.	CODE	Figure No.	Name	Qty	Remarks
1	73007000291	QDA1502E1225100	2.5m cylinder assembly	1	
	73007000292	QDA1502E1230100	3.0 m cylinder assembly	1	
	73007000294	QDA1502E1235100	3.5m cylinder assembly	1	
2	21001100002	JB982	Combined washer 14	1	
3	73006000044	BDA-03021	Flaring type fittings	1	
4	73004000059	BDA-00026	High pressure oil pipe	1	
5	73006000019	BDA-00020	Outlet connection	1	
6	21001100003	JB982	Combined washer 16	1	
7	73002000110	QDA1502E1200201	Hydraulic station 24V/2.2KW	1	

Table5-1

6.Frame system

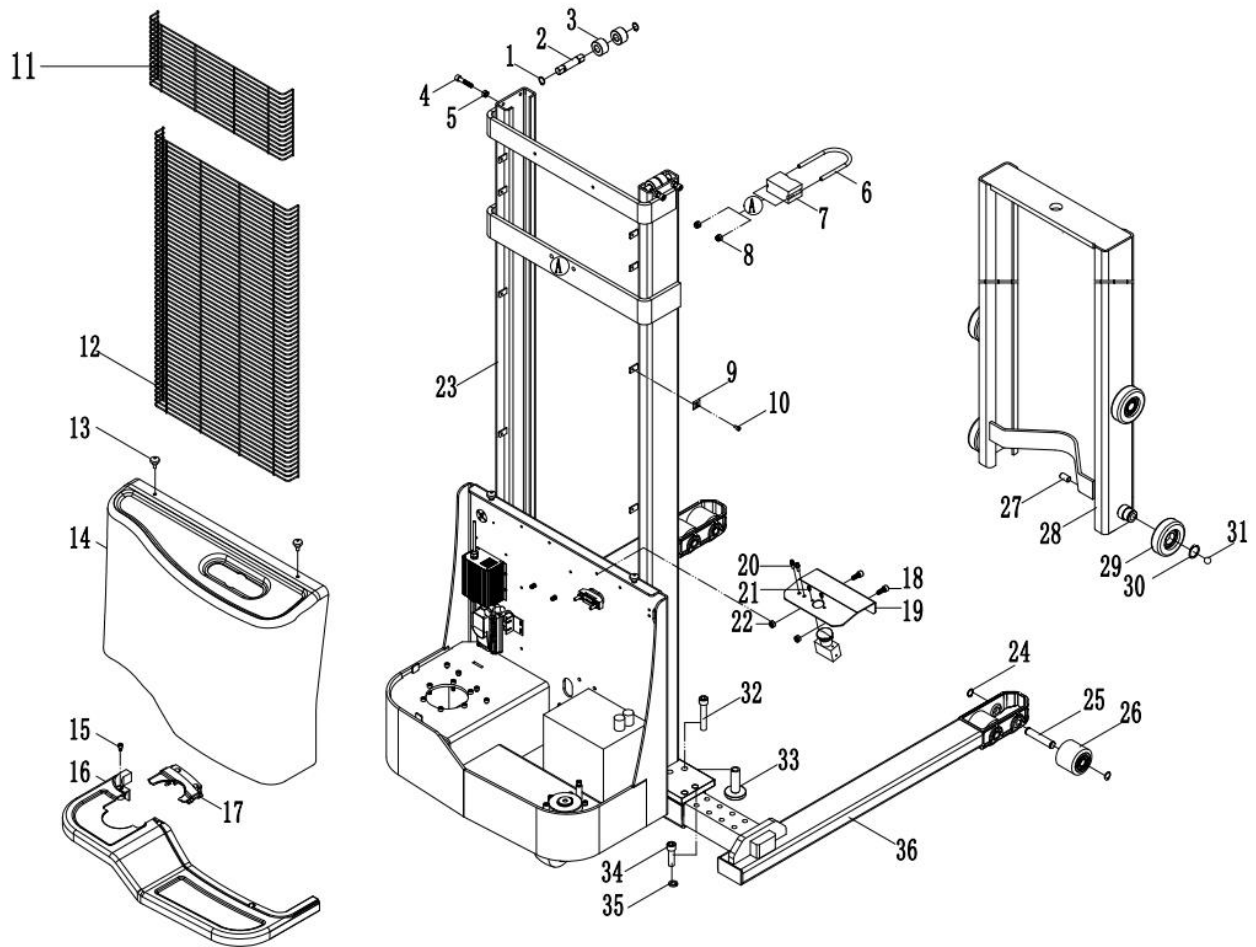
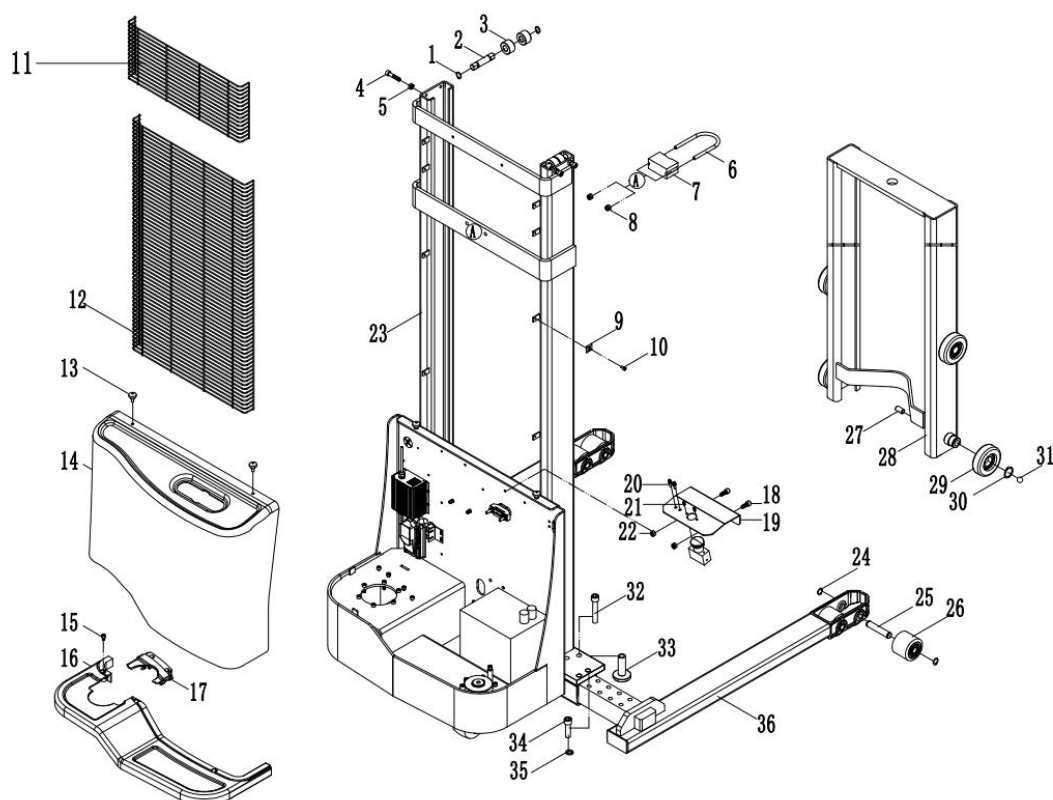


Figure6

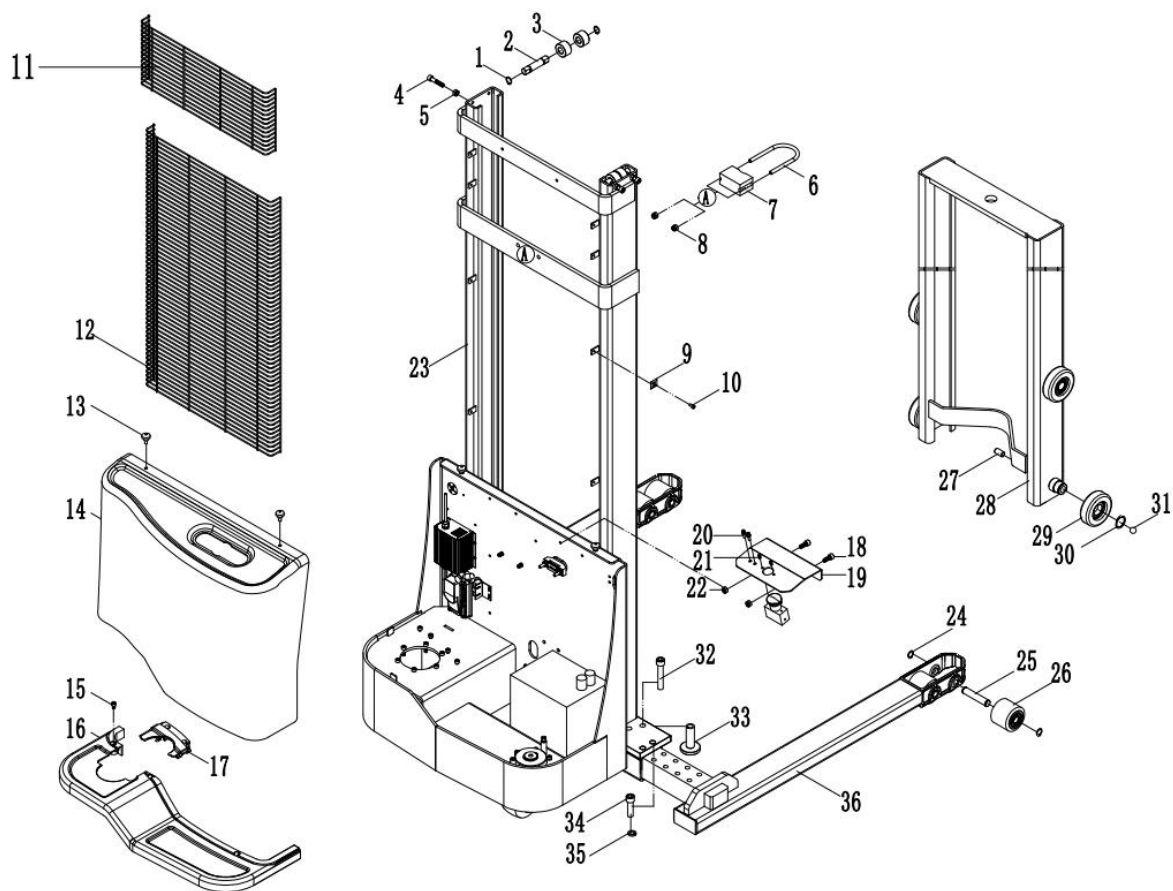
No.	CODE	Figure No.	Name	Qty	Remarks
1	22600900002	GB894. 1	retaining ring 20	4	
2	72003000404	QDA15EM8200001	Side roller axle 20×97	2	
3	71003000037	BDA-00030	Side roller 43 x 25	4	
4	22101600049	GB70. 1	Hexagonal cylindrical head screw M10×50	4	
5	22400300005	GB41	Hexagon nut M10	4	
6	72007000016	BDA-00003	Cylinder cling	1	
7	75000100024	BDA-00034B	Rubber pad	1	
8	22403000008	GB889. 1	Lock nut M10	2	
9	72002000191	BDA-00001	Fixed climb	6	
10	22101600087	GB70. 1	Screw M6x16	6	
11	79000500009	BDA-00004-224	grid	1	
12	79000500009	BDA-00004-512	Grid 2.5 m	1	
	79000500009	BDA-00004-752	Grid 3.0 m	1	
	79000500009	BDA-00004-1008	Grid 3.5 m	1	

Table6-1



No.	CODE	Figure No.	Name	Qty	Remarks
13	72008000001	P15S0400002A	Knurled screw M8×18	2	
14	75000400123	QDA1502E0910000	Rear housing	1	
15	22101600032	GB70. 1	Hexagonal cylindrical head screw M8×12	5	
16	75000400124	QDA1502E0920000	Bottom housing	1	
17	75000400125	QDA1502E0930000	Small bottom cover housing	1	
18	22000400020	GB5783	Bolt M10 x 25	2	
19	72002005266	QDA1502E1370002	Instrument desk	1	
20	11000100029		Pilot lamp	2	
21	22101700001	GB70. 2	Screw M5×12	2	
22	22403000008	GB889. 1	Hexagon lock nut M10	2	
23	8D242000007	QDA-ELS0412500 240509	Frame 2.5 m	1	
	8D242000008	QDA-ELS0413000 240509	Frame 3.0 m	1	
	8D242000009	QDA-ELS0413500 240509	Frame 3.5 m	1	
24	22600900002	GB894. 1	Retaining ring 20	8	
25	72003000405	SDA-00001	Double slot pin	4	

Table6-2



No.	CODE	Figure No.	Name	Qty	Remarks
26	8D05100100007	QDA12E-00030	Fork wheel 80×70	4	
27	22102600027	GB77	Screw M16×30	2	
28	8D032003015	BDA-06125	Inner frame 2.5 m	1	
	8D032003016	BDA-06130	Inner frame 3.0 m	1	
	8D032003018	BDA-06135	Inner frame 3.5 m	1	
29	8D031011001	BDA-06010	Pulley assembly 106	4	
30	22600900007	GB894. 1	Retaining ring 35	4	
31	23001800010	GB308	Steel ball Φ19.05	2	
32	22101600080	GB70. 1	Screw M16×80	2	
33	72005000167	BDA-S-04002	Standing leg	2	
34	22101600088	GB70. 1	Screw M16×45	8	
35	22501200008	GB93	Spring pad 16	8	
36	8D242000010	QDA-ELS0400220 240509	Left leg	1	
	8D242000011	QDA-ELS0400210 240509	Right leg	1	

Table6-3

7.Fork wheel assembly

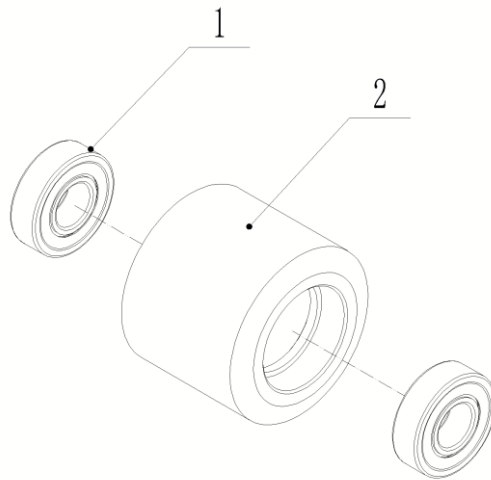


Figure7

No.	CODE	Figure No.	Name	Qty	Remarks
1	23000100001	GB276	Bearing 6204	2	
2	8D05100100008	QDA12E-00031	Polyurethane wheel $\Phi 80 \times 70$	1	

Table7-1

8.Sprocket shaft assembly

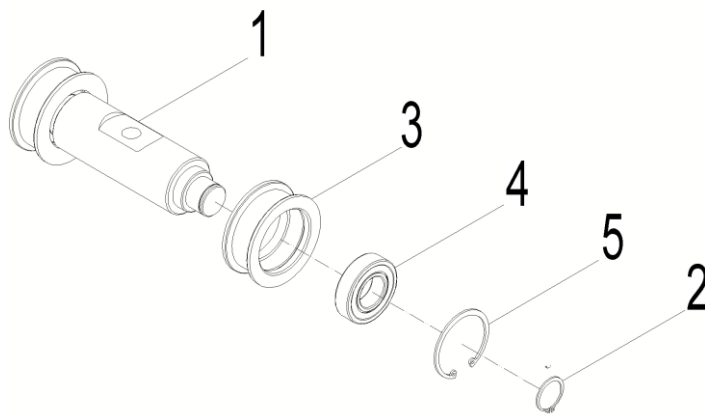


Figure8

No.	CODE	Figure No.	Name	Qty	Remarks
1	72003001209	QDA1502E8200011	Sprocket shaft	1	
2	22600900008	GB894. 1	Retaining ring 30	2	
3	71004100002	BDA-03032	Sprocket wheel	2	
4	23000100006	GB276	Bearing 6206	2	
5	22600700019	GB894. 1	Hole retaining ring 62	2	

Table8-1

9.Lifting platform

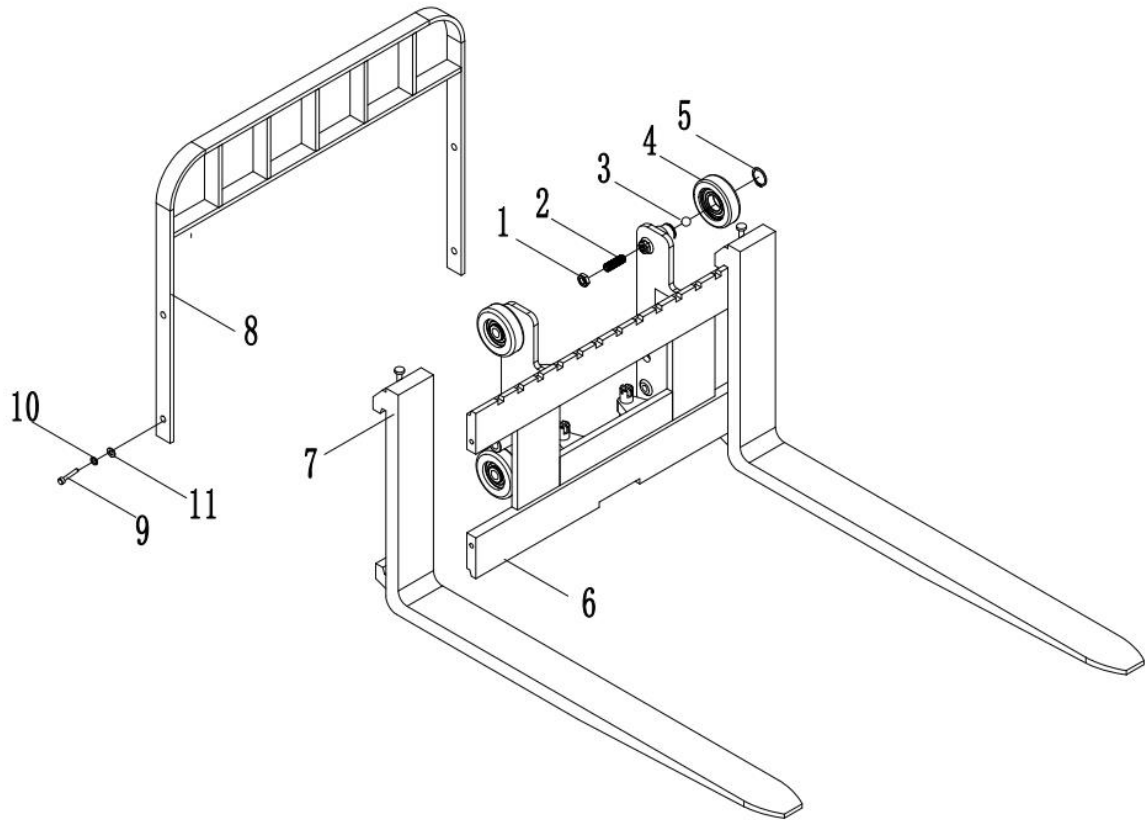


Figure9

No.	CODE	Figure No.	Name	Qty	Remarks
1	22400700002	GB6172. 1	Nut M10	4	
2	22102600014	GB77	Screw M16 x 50	4	
3	23001800010	GB308	Steel ball ϕ 19.05	4	
4	8D031011001	BDA-06010	Pulley assembly 106	4	
5	22600900007	GB894. 1	Retaining ring 35	4	
6	8D062000011	QDA12ES-07120	Double forging lift platform	1	
7	7200200000958	BOA-00100-107	Forging fork 1150	1	
8	8D102006053	QPA13028280010 240509	Stop rack 705	1	
9	22000400004	GB5783	Hexagon head bolt M12 \times 25	4	
10	22501200006	GB93	Spring washer 12	4	
11	22500100008	GB97. 1	Flat washer 12	4	

Table9-1

10.Gantry pulley

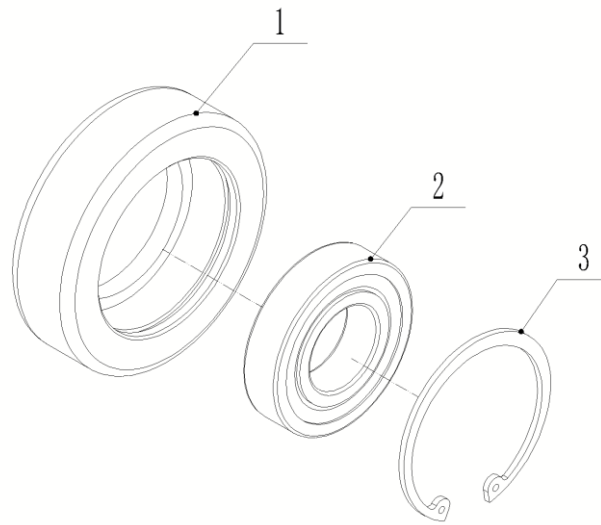


Figure10

No.	CODE	Figure No.	Name	Qty	Remarks
1	71004000004	BDA-06007	pulley	1	
2	23000100005	GB276	Bearing 6207	1	
3	22600700004	GB893. 1	Hole retaining ring 72	1	

Table10-1

11.Chain



Figure11

No.	CODE	Name	Qty	Remarks
1	7100420000040	2.5m chain LH0846 147 knots	2	
	23200300026	3.0 m chain LH0846 167 knots	2	
	23200300027	3.5m chain LH0846 189 knots	2	

Table11-1

12. Lead-acid battery

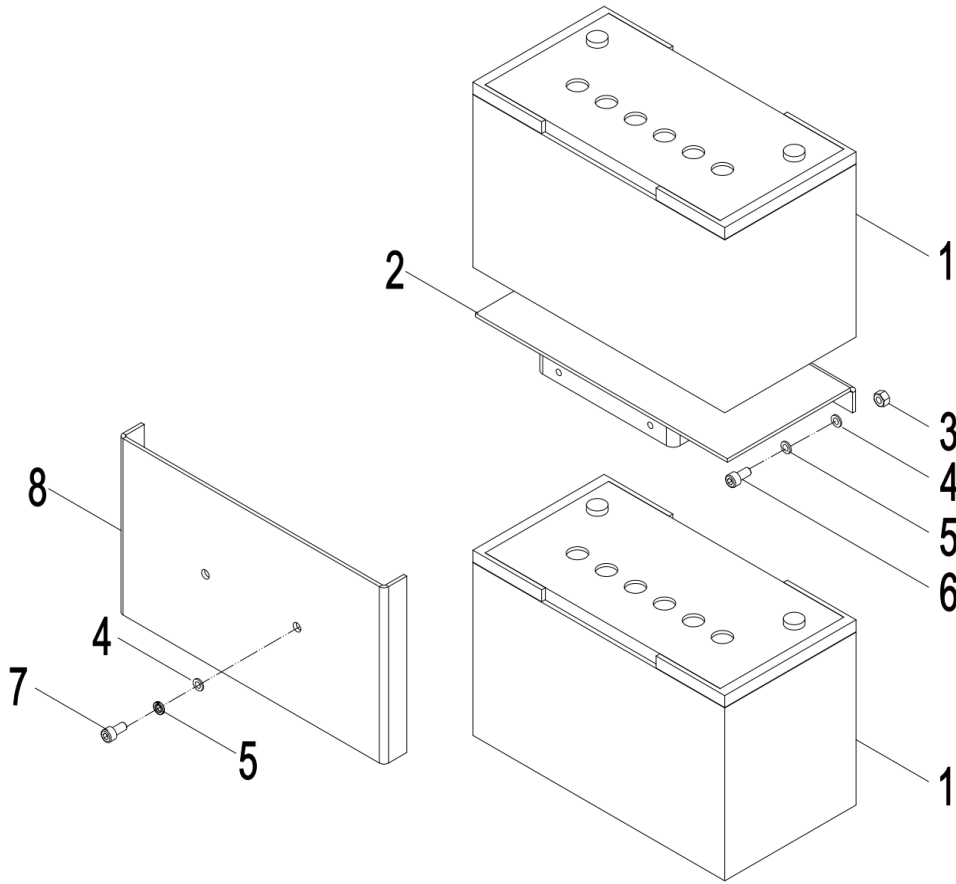


Figure12

No.	CODE	Figure No.	Name	Qty	Remarks
1	11009000034	QDA15EM1380102	Battery 12V85Ah	2	
	8D057009001	QDA12E-00010A	85Ah battery holder	1	
2	22400300003	GB6170	Nut M8	2	
3	22500100006	GB97. 1	Flat Washer 8	4	
4	22501200004	GB93	Spring Cushion 8	4	
5	22101600035	GB70. 1	Screw M8×25	2	
6	22101600034	GB70. 1	Screw M8×20	2	
7	8D05701000002	QDA12E-00003A	Battery cap	1	

Table12-1

13.Electrical system

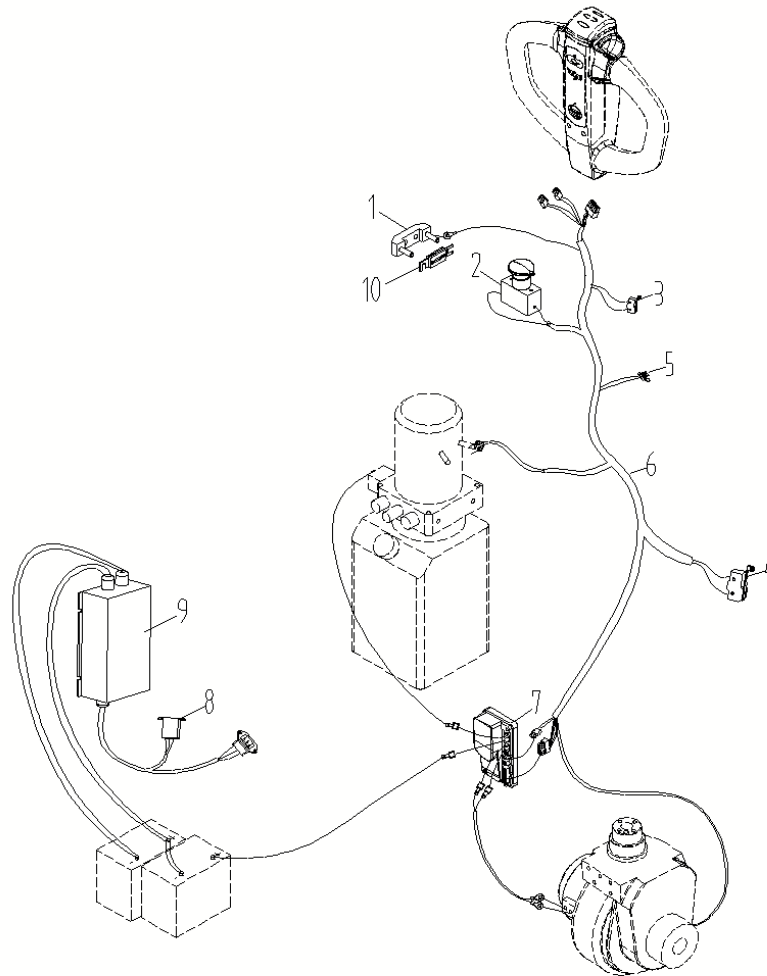


Figure13

No.	CODE	Figure No.	Name	Qty	Remarks
1	15000900012	QBA15-1350007	Fuse holder	1	
2	11006000038	BBM-1340003	Scram button	1	
3	11006000022	QDA12E-1340002	microswitch	1	
4	11006000021	QBA15-1340003	microswitch	1	
5	15000900020		Fuse 10A	1	
6	1200000000147	QDA10EL-1321000	Body harness	1	
7	11007000030	DQJ130201004	controller	1	
8	15000600002	QBQ-08052	relay	1	
9	11009100058	QDA10EL-1351000	Built-in charger	1	
10	15000900011	QBA15-1350003	Fuse 100A	1	

Table13-1

Cylinder repair kit					
No.	CODE	Figure No.	Name	Qty	Remarks
1	21000300007	DHS35	Dust ring 35 x 43 x 5/6.5	1	
2	21000400003	UHS40	Seal ring 40×50×6	1	

List of wearing parts					
No.	CODE	Figure No.	Name	Qty	Remarks
1	2310050000001	SF-1-16170	Flanged composite bushing	2	Tiller system
2	72009040039	QDA1502E0320001	Gas spring	1	
3	23000100002	GB276	Bearing 6010	1	Drive system
4	2300050000011	GB297	Bearing 32012	1	
5	23100100003	SF-1-1210	Composite bushing	2	Universal wheel
6	7100300000103	QBA-04026	Universal wheel	1	
7	21001100002	JB982	Combined washer 14	3	Hydraulic system
8	21001100003	JB982	Combined washer 16	2	
9	8D05100100007	QDA12E-00030	Fork wheel pressure bearing 80×70	2	Frame system
10	23000100001	GB276	Bearing 6204	1	Fork assembly
11	8D05100100008	QDA12E-00031	Polyurethane wheel Φ80×70	1	
12	23000100006	GB276	Bearing 6206	2	Shaft assembly
13	71004000004	BDA-06007	pulley	1	
14	23000100005	GB276	Bearing 6207	1	
15	15000900020		Fuse 10A	1	Electrical element
16	15000600002	QBQ-08052	relay	1	
17	1100910000049	QDA10EL-1351000	Built-in charger	1	
18	15000900011	QBA15-1350003	fuse 100A	1	