

# EKKO

MATERIAL HANDLING EQUIPMENT

MOVING **AHEAD**

## 3-WHEEL LITHIUM FORKLIFT

EK18A-189LI / EK18A-212LI  
SERIES

- Load Capacity 4000 lbs.
- Lift Height 189-212 in. 3 Stage
- Side Shifting Forks
- Free Lift 46.5-55.7"
- Hydraulic Steering
- ZAPI Controller
- Tilt 3/5 degree
- Mast Height 86.2-95.5"
- Solid Pneumatic Tires
- Battery & Charger
- 3 Year Limited Warranty



[www.ekkolifts.com](http://www.ekkolifts.com)

## EK18A-189LI & EK18A-212LI

**Superior quality, maneuverable, compact, and durable for all your material handling applications. Ideal for small aisles and areas.**

**WEIGHT CAPACITY:** 4000 lbs. @ 24" load center

**LIFT HEIGHT:** 189-212" (15.75-17.67 ft) 3 Stage

**SIDE SHIFTING FORKS**

**MAST HEIGHT:** 86.2-95.5"

**TURNING RADIUS:** 65.9"

**FREE LIFT:** 46.5-55.7"

**TILT:** 3/5 degree

**BATTERY / CHARGER:** 80V/202Ah Lithium  
48-volt Industrial batteries with external direct connect standard 3-phase 480-volt charger (220-volt and 110-volt charger options available.)

**BRAKING:** Hydraulic

**SPEED TRAVEL:** 10 mph empty ; 10 mph loaded

**LIFTING SPEED:** 118.1 fpm empty; 78.7 fpm loaded

**LOWERING SPEED:** 98.4 fpm empty; 114.2 fpm loaded

**DRIVE WHEELS:** Solid Pneumatic

**HYDRAULICS LIFTING MOTOR:** MOSFET/AC

**DRIVE MOTOR:** MOFET/AC

**ZAPI Controller**

**Hydraulic Braking**

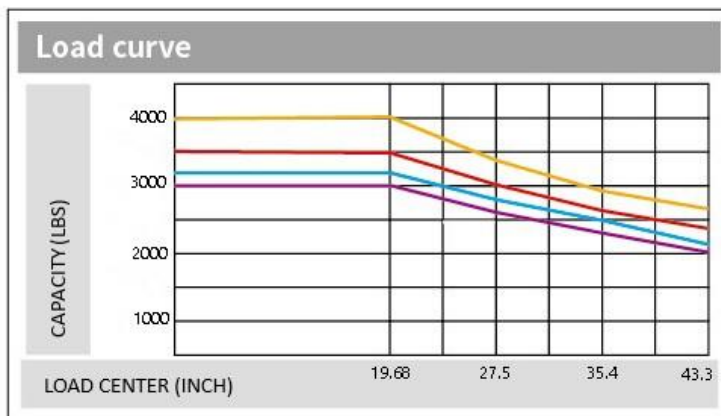
**LIGHTING:** LED Head lights and Brake lights.

**OPERATOR CONTROLS:** Hydraulic steering, tilt lifting, lowering, side shifting forks, horn functions are located in the ergonomic sit down; Led lighting.

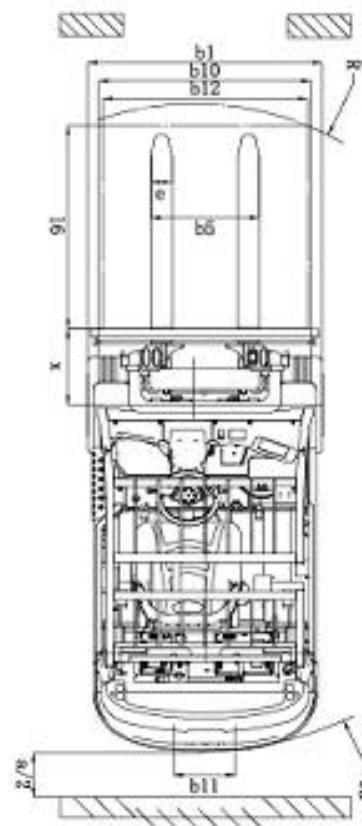
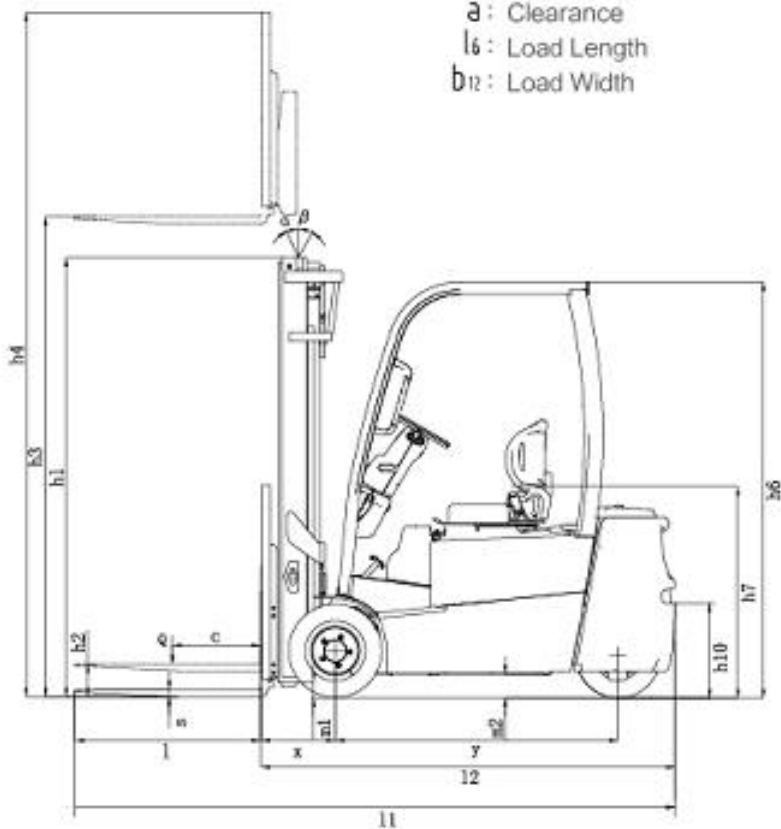
**CHASSIS AND MAST:** Robotic Welding; Heavy duty steel chassis with I-beam mast for durability; Telescoping mast.



# 3-Wheel Lithium Forklift



$A_{st}$  : Right angle stacking aisle width  
 $a$  : Clearance  
 $l_6$  : Load Length  
 $b_{12}$  : Load Width



MODEL #	CAPACITY	LIFT HEIGHT	FREE LIFT	MAST HEIGHT	SERVICE WEIGHT
EK18A-189LI	4,000 LBS.	189"	46.5"	86.2"	7341 LBS.
EK18A-212LI	4,000 LBS.	212"	55.7"	95.5"	8105 LBS.