

# EKKO

MATERIAL HANDLING EQUIPMENT

MOVING **AHEAD**

# WALKIE STRADDLE STACKER EB13E-138

- 2800 lbs. Capacity
- 138 in. Lift Height
- Narrow Aisles 8 ft.
- Adjustable Legs 45.5-59.1 in.
- Adjustable Forks 8.3-33.5 in.
- 24V Center Drive Motor
- Curtis Instrument Controller
- Batteries and Charger Included
- 3 Year Limited Warranty



## EB13E-138 SERIES

**Superior quality, maneuverable, compact, and durable for all your material handling applications. Ideal for small aisles and areas.**

**WEIGHT CAPACITY:** 2800 lbs. @ 24" load center

**LIFT HEIGHT:** 138 (11.5 ft)

**FORK LENGTH:** 45.3"

**ADJUSTABLE OUTRIGGERS:** 45.7" - 59.1"

**ADJUSTABLE FORKS:** 8.3" - 33.5"

**MAST HEIGHT:** 92"

**TURNING RADIUS:** 52.6"

**BATTERY / CHARGER:** 24V/100Ah, 24-volt deep cycle maintenance-free batteries with internal direct connect 110A 110VAC plug-in automatic 24V/15A charger (both Included)

**SPEED TRAVEL:** 3.3 mph empty ; 3.0 mph loaded

**LIFTING SPEED:** 5.35 ips empty; 3.6 ips loaded

**LOWERING SPEED:** 3.85 ips empty; 4.4 ips loaded

**DRIVE WHEELS:** 9" x 3" polyurethane

**STABILITY:** 4" x 2" polyurethane

**LOAD WHEELS:** (2) 4" x 3" polyurethane per outrigger

**HYDRAULICS LIFTING MOTOR:** 24V 2200 Watt lifting motor with hardened chrome moly steel for durability.

**DRIVE MOTOR:** 24V 750Watt Watt Drive motor for efficiency and high torque.

**AC CONTROLLER:** 24V CURTIS Instrument provides performance through entire range of speed; Constant travel speed regardless of load; Battery discharge indicator combination gauge.

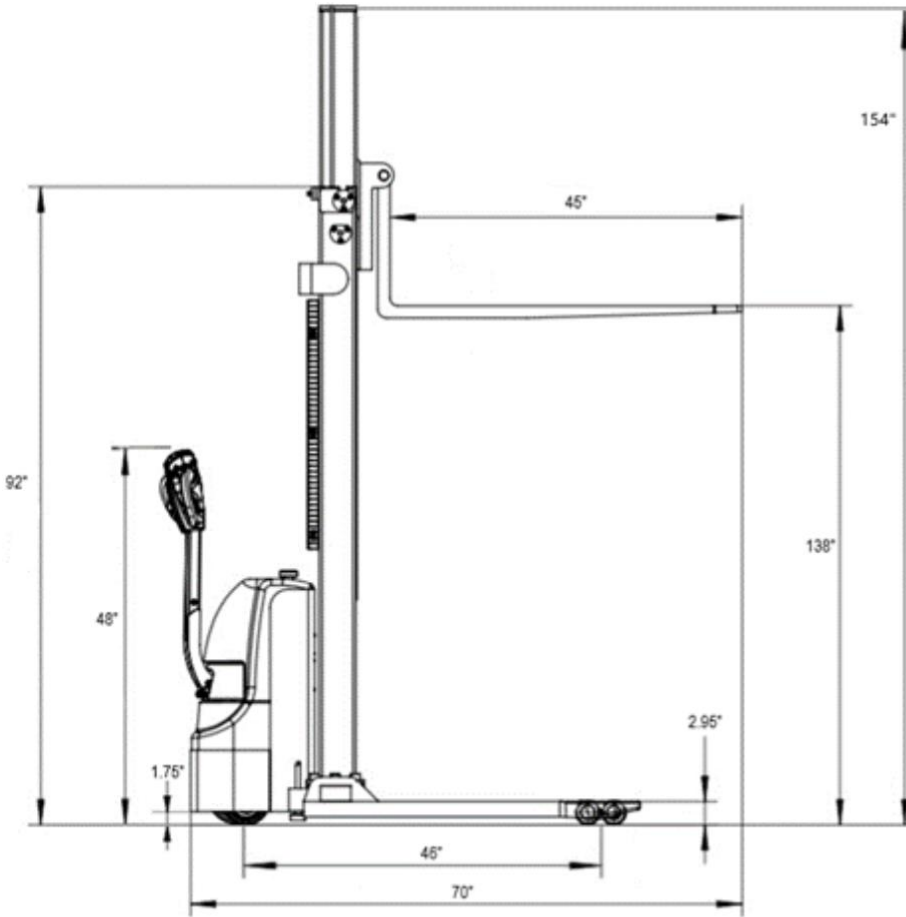
**BRAKES:** Electro-magnetic braking for secure stopping power; Electronic neutral braking for accurate control.

**OPERATOR CONTROLS:** Throttle, lifting, lowering, turtle mode and horn functions are located in the ergonomic handle; Belly button reverse safety feature allows the unit to stop and reverse to avoid collision or injury.

**CHASSIS AND MAST:** Robotic Welding; Heavy duty steel chassis with I-beam mast for durability; Telescoping mast includes a protective steel guard.



# Walkie Straddle Stacker



MODEL #	MAST	LIFT HEIGHT	MAX MAST HEIGHT	SERVICE WEIGHT
EB13E-138	92"	138"	154"	1450