

# Parts Manual

**Three Wheel Electric Forklift**

**EK16A-138/EK16A-177**

**EK16A-189LI/EK16A-216LI**





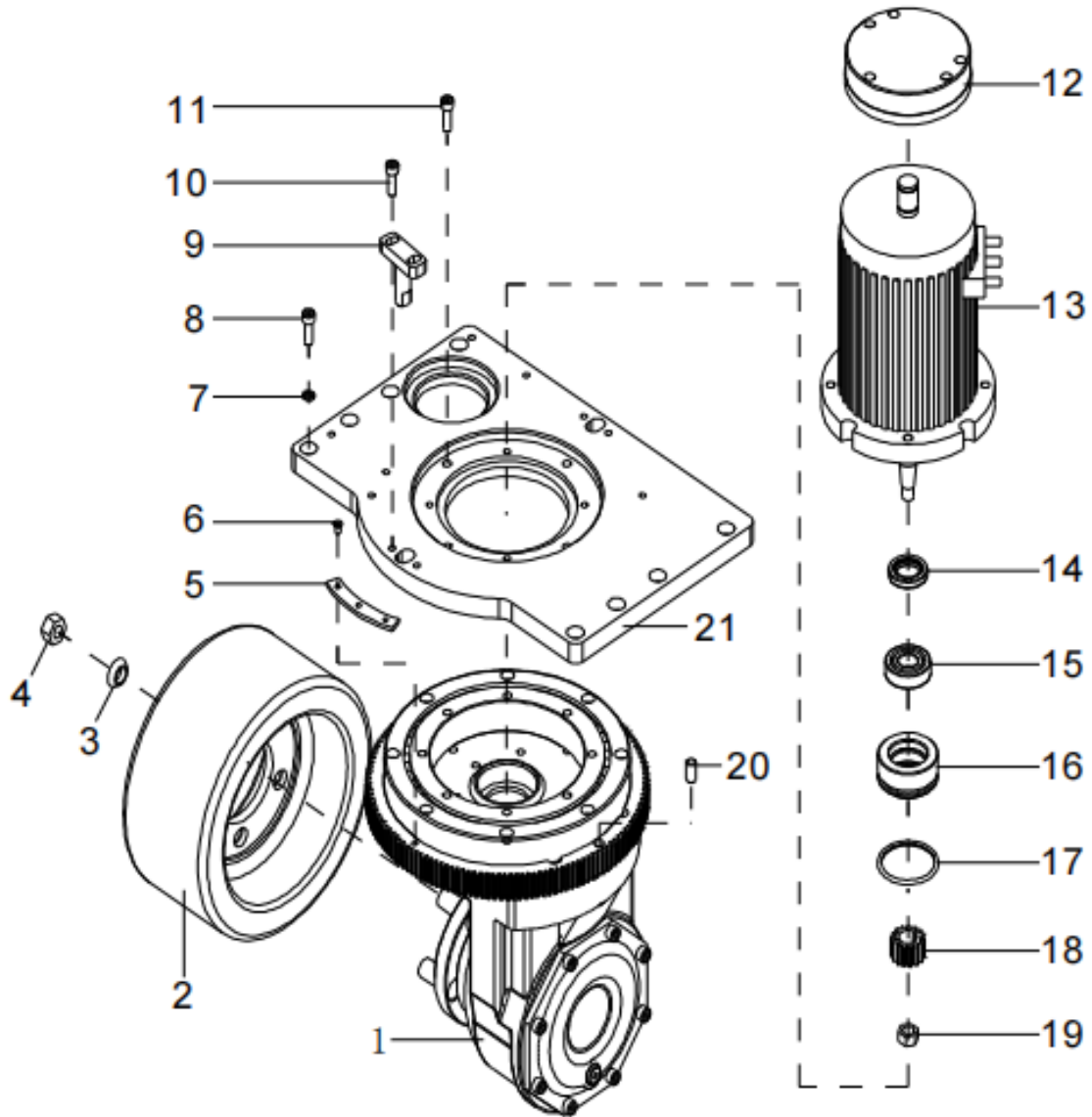
## Warning

Before using this equipment, first pay attention to the following matters:

- Please read this manual carefully and operate the vehicle safely.
- Do not operate this vehicle without training.
- Please comply with ISO3691 "Safety Specification for Motor Vehicles Industry".
- Please do not modify the repair or change the parameters to adjust the pressure, the loss of the car will be borne by you, and you will lose our warranty commitment.
- overload is strictly prohibited. The load weight and load center shall comply with the requirements of the parameter table in this manual.
- When the vehicle is used for stacking, the center of gravity of the goods must be within two cargo forks. Stacking loose goods is strictly prohibited.
- No human operation is allowed on the fork.
- The power supply should be turned off in time after the operation is completed.

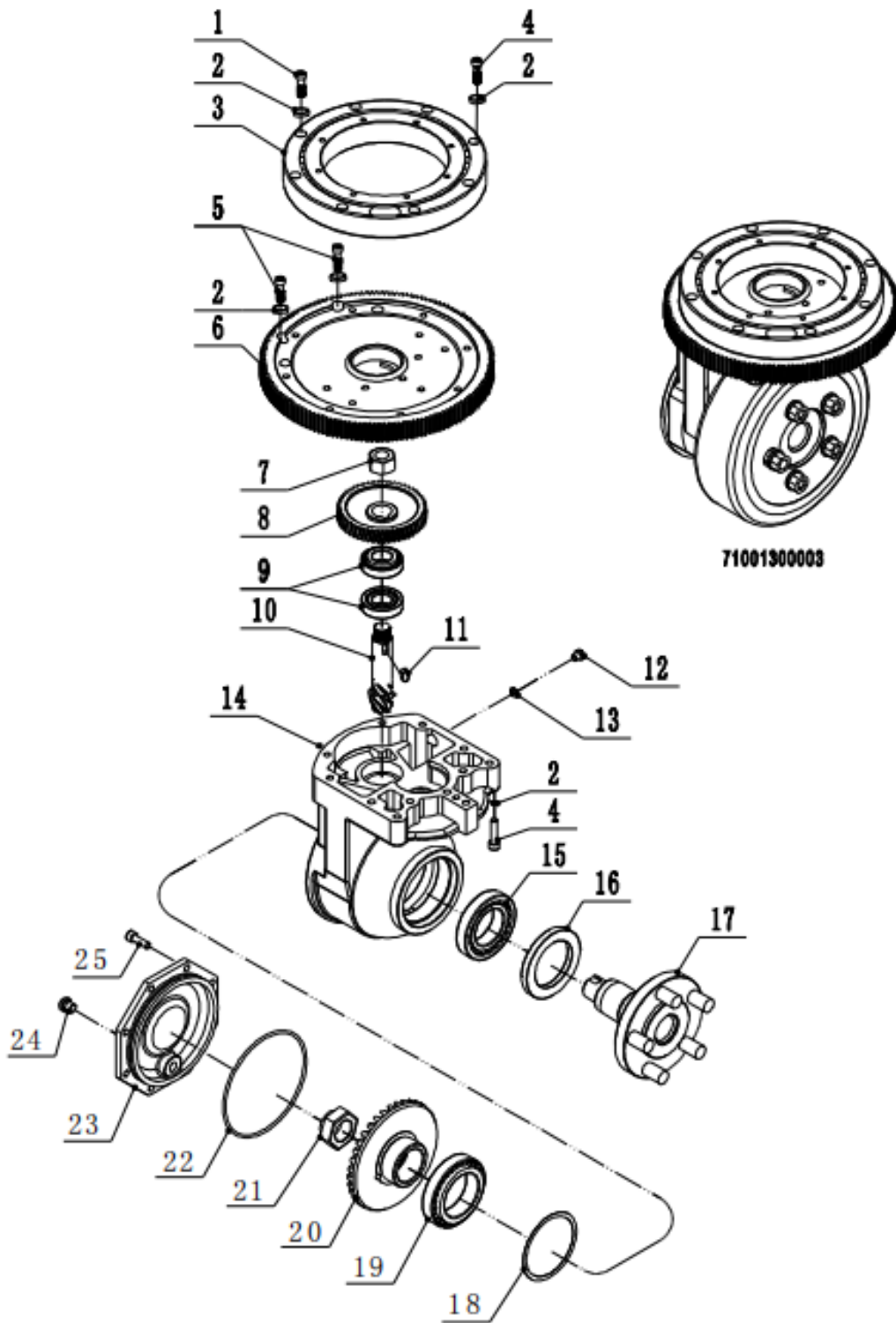
**Special warning: the company adheres to the strategy of innovation and sustainable development; Therefore, it is possible to improve the technology of the products. Therefore, we reserve the right to make changes and improvements to any product described in this specification without prior notice.**

# 1、 Drive system



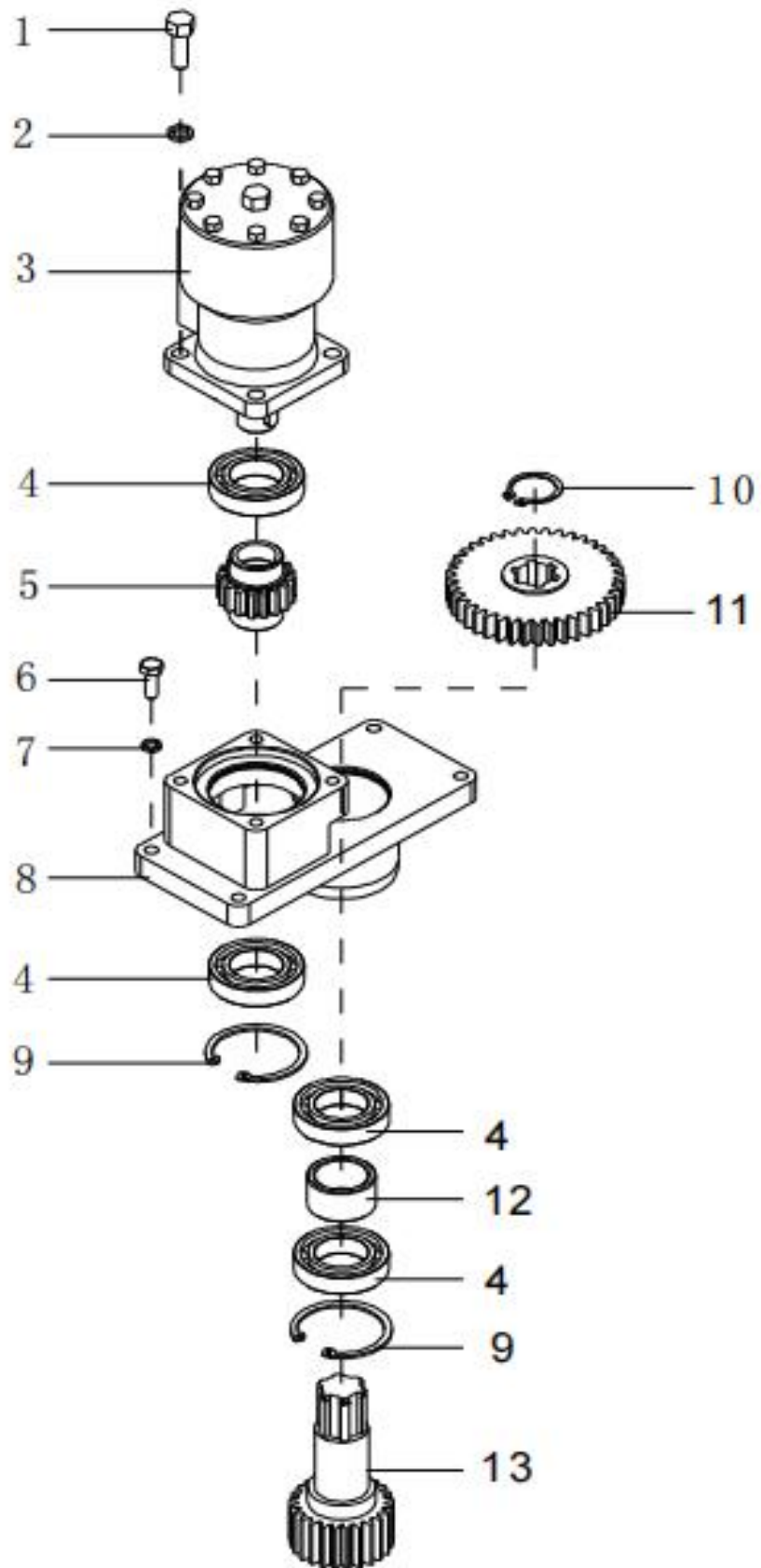
Index	Part No.	Drawing Number	Part Name	QTY	Remark
1	71001300003	71001300003	Transmission assembly	1	1.6T
2	71003000060	P12S0220000	Drive wheel assembly	1	1.6T
3	23100400001	DIN7436C	Spherical washer 14	5	1.6T
4	22400300010	GB6170	Nut M14	5	1.6T
7	22501200005	GB93	Washer 10	8	1.6T
8	22101600095	GB70.1	Screw M10x30	8	1.6T
9	8P032020001	P15S0230000	Limit block welding	2	1.6T
10	22101600035	GB70.1	Screw M8x25	8	1.6T
11	22101600038	GB70.1	Screw M8x40	8	1.6T
12	71001200006	T-QT-024	Brake assembly	1	1.6T
13	11008000052	P12S0210000	Traction motor assembly	1	1.6T
14	21000400050	GB13871	Lip seal ring FB28×40×7	1	1.6T
15	23000100010	GB276	Bearing 6304	1	1.6T
16	72004000081	QBA-02030	Motor support seat	1	1.6T
17	21000100035	GB3452.1	O-ring 56×3.55	1	1.6T
18	71005000007	QBA-02036	Motor bevel gear	1	1.6T
19	22400300006	GB6170	Nut M12	1	1.6T
20	22800100001	GB119.1	Cylindrical pin 10x20	1	1.6T
21	72001000961	P12S0200001	Drive mounting plate	1	1.6T

## 2. Transmission assembly



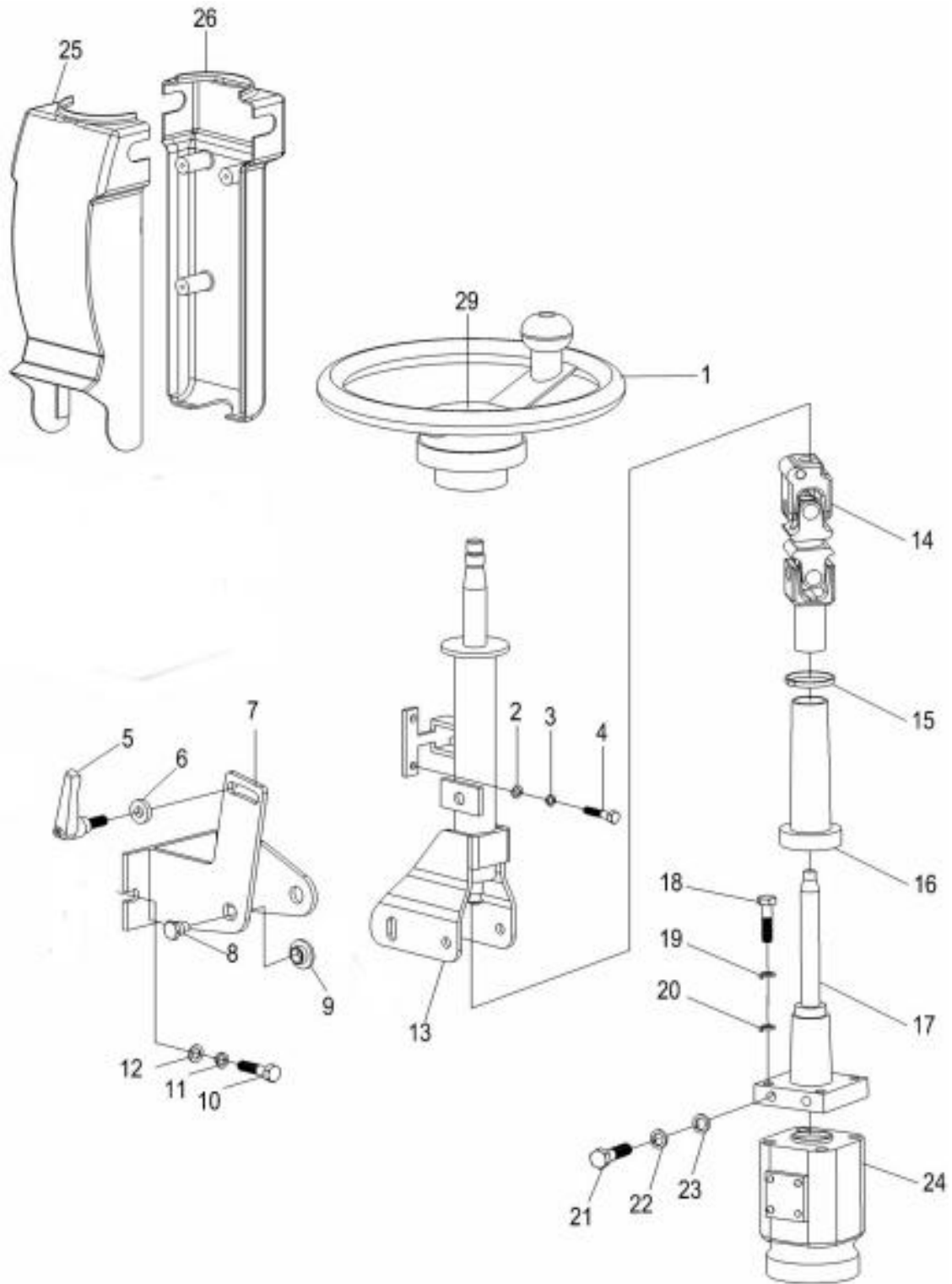
Index	Part No.	Drawing Number	Part Name	QTY	Remark
1	22101600036	GB70.1	Screw M8×30	2	16
2	22501200004	GB93	Washer 8	19	
3	23009900002	23009900002	Turntable bearing	1	
4	22101600036	GB70.1	Screw M8×30	2	
5	22101600035	GB70.1	Screw M8×25	4	
6	71005000008	71005000008	Case cover big gear	1	
7	22400600004	GB6176	Nut M20 x 1.5	1	
8	71005000006	71005000006	Housing helical gear	1	
9	23000500010	GB297	Tapered roller bearing 30205	2	
10	71005000005	71005000005	Radian bevel gear (small)	1	
11	22900100002	GB1096	Flat key 8 x 7 x 14	1	
12	21001100003	JB982	Combined washer 16	1	
13	72007000018	72007000018	Oil discharge plug M16	1	
14	72006000055	72006000055	Gearbox housing	1	
15	23000500004	GB297	Tapered roller bearing 30210	1	
16	21000500001	21000500001	Skeleton oil seal	4	
17	71005000004	71005000004	Big wheel spline shaft	1	
18	72001000381	72001000381	gasket	1	
19	23000500008	GB297	Tapered roller bearing 30209	1	
20	71005000005	71005000005	Spiral bevel gear (large)	1	
21	72008000002	72008000002	nut	1	
22	21000100004	GB3452.1	O-ring 140x3.55	1	
23	72006000056	72006000056	Gear box side cover	1	
24	72007000017	72007000017	Oil delivery plug	1	
25	22101600034	GB70.1	Screw M8x20	8	

### 3、Hydraulic motor assembly



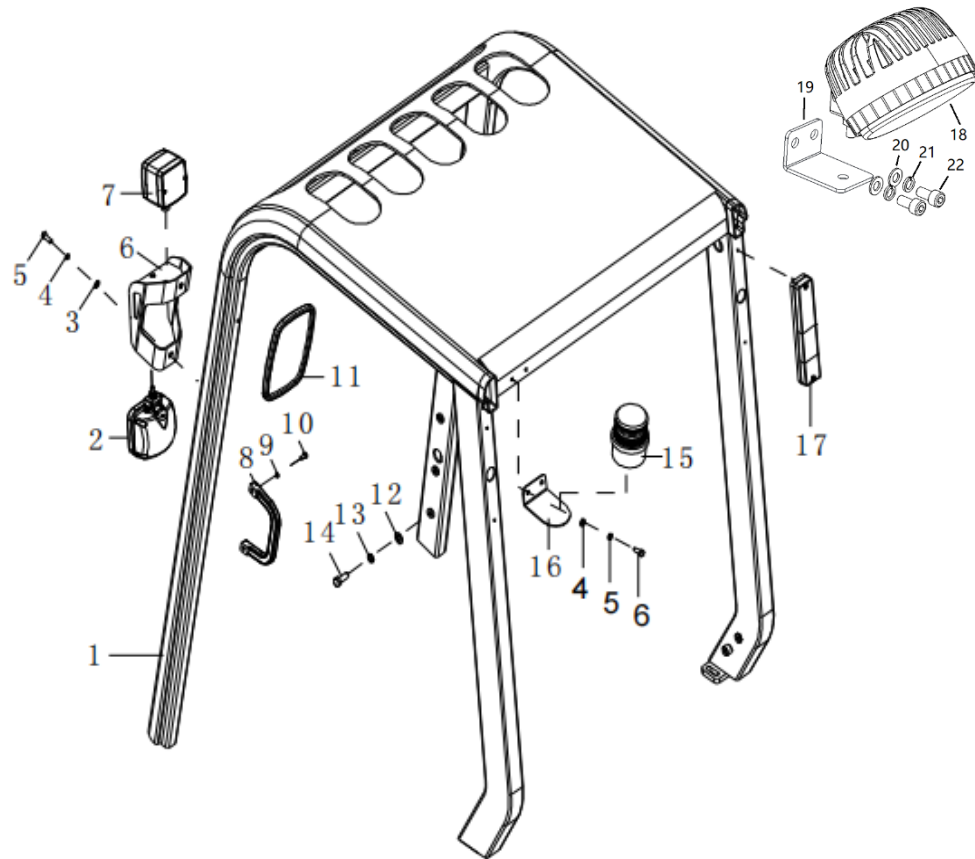
Index	Part No.	Drawing Number	Part Name	QTY	Remark
1	22000400003	GB5783	Bolt M10x30	4	
2	22501200005	GB93	Washer 10	4	
3	11008000017	P15S0312000	Hydraulic motor	1	
4	23000100028	GB276	Bearing 6007-2RZ	4	
5	71005000016	P15S0310004	Input gear	1	
6	22000400001	GB5783	Bolt M8x35	4	
7	22501200004	GB93	Washer 8	4	
8	72001000956	P15S0311000	Mounting seat	1	
9	22600700005	GB893.1	Retaining ring 62	4	
10	22600900021	GB894.1	Retaining ring 32	1	
11	71005000015	P15S0310003	Gear wheel	1	
12	72004000198	P15S0310002	Spacer sleeve	1	
13	71005000023	P12S0310001	Gear shaft	1	

#### 4. Steering gear



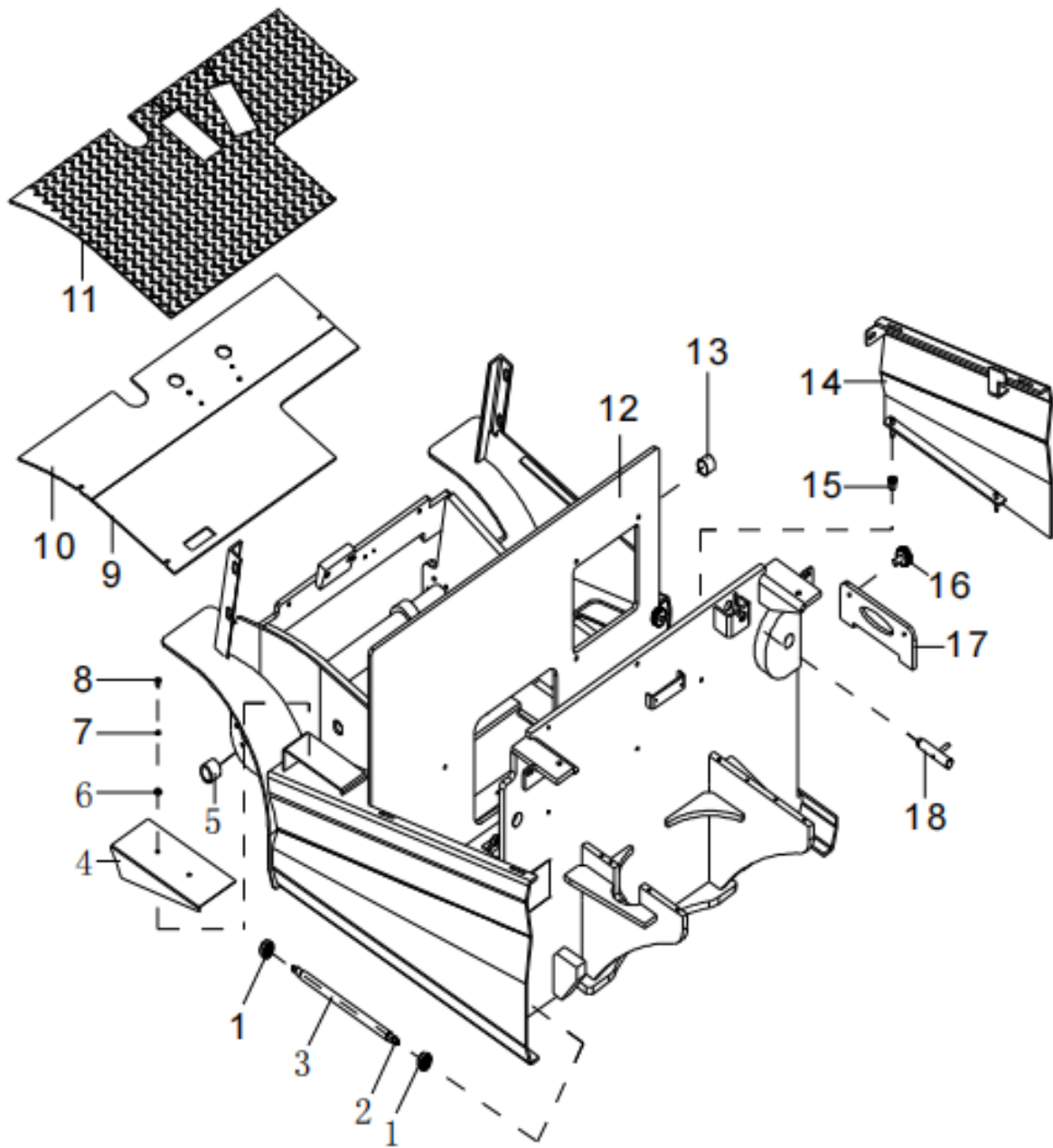
Index	Part No.	Drawing Number	Part Name	QTY	Remark
1	71000400001	P250300001	Steering wheel assembly	1	
2	22500100003	GB97.1	Washer 5	4	
3	22501200002	GB93	Washer 5	4	
4	22100100019	GB818	Screw M5×12	4	
5	79000200001	P250330004	Lock handle assembly	1	
6	75000300002	P250330005	gasket	1	
7	8P012026001	P250332000	Support welding	1	
8	22000400020	GB5783	Bolt M10 x 25	2	
9	75000300001	P250330002	Spacer ring	2	
10	22000400020	GB5783	Bolt M10 x 25	2	
11	22501200005	GB93	Washer 10	2	
12	22500100007	GB97.1	Washer 10	2	
13	71000600001	P250331000	Steering string assembly	1	
14	30060209002		Cardan joint	1	
15	40000000620	ZD4× 150	Strapping tape	1	
16	75000100016	P250330001	Dust jacket	1	
17	71000700001	P250333000	Flange seat assembly	1	
18	22000400010	GB5783	Bolt M10 x 45	4	
19	22501200005	GB93	Washer 10	4	
20	22500100007	GB97.1	Washer 10	4	
21	22000600003	GB5785	Bolt M12X1.25X40	2	
22	22501200006	GB93	Washer 12	2	
23	22500100008	GB97.1	Washer 12	2	
24	71000800001	P250334000	deflector	1	
25	75000100018	P250910002	Column covering piece	1	
26	75000100019	P250910003	Column covering piece	1	
29	40000000621	LN-A	Hom button	1	

## 5. Roof guard



Index	Part No.	Drawing Number	Part Name	QTY	Remark
1	8P042004001	P12S0510000	Roof guard	1	1.6T
2	11000100001	P251360002	headlamp	2	
3	22500100006	GB97.1	Washer 8	6	
4	22501200004	GB93	Washer 8	6	
5	22000300024	GB5783	Bolt M8 x 22	6	
6	8P012005001	P250520000	Headlight protection panel	2	
7	11000100002	P251360004	Double front small light	2	
8	71000900001	P250500001	Hand in hand	1	
9	22501200003	GB93	Washer 6	2	
10	22101600028	GB70.1	Screw M6x20	2	
11	71001100001	P250500002	reflector	2	
12	22500100008	GB97.1	Washer 12	8	
13	22501200006	GB93	Washer 12	8	
14	22000400005	GB5783	Bolt M12x30	8	
15	11000100004	P251360006	Warning light	1	
16	72002000097	P250500003	support	1	
17	11000100003	P251360005	Tricolor taillights	2	
18	11000100028	QDJ-V51360020	Blue light	1	
19	72002005340	P15S0510009-240513	Blue light mounting board	1	
20	22500100006	GB97.1	Washer 8	2	
21	22501200004	GB93	Washer 8	2	
22	22101600033	GB70.1	Screw M8×16	2	

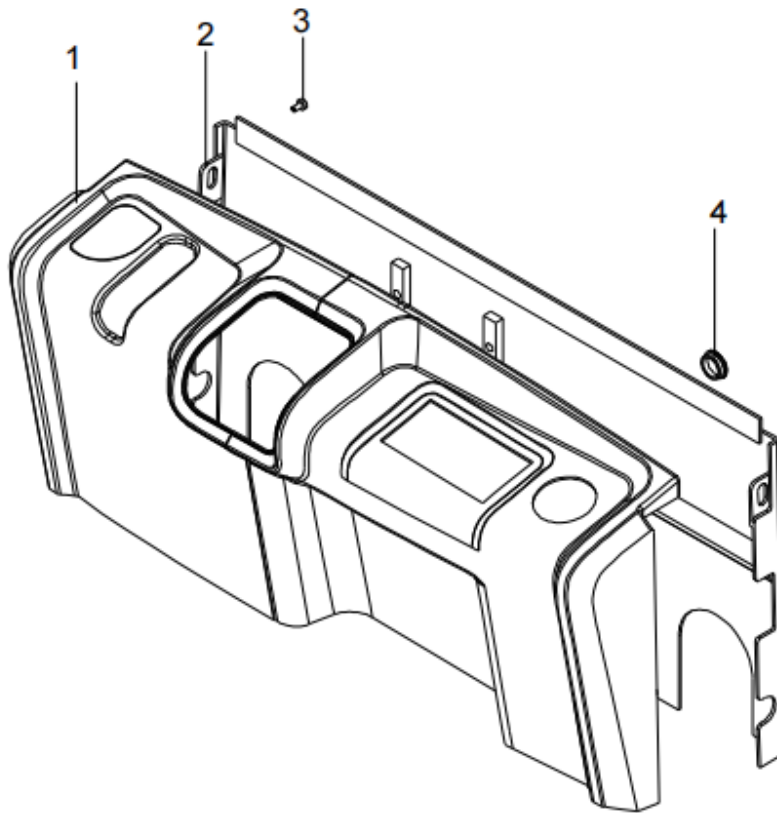
6、Frame



Index	Part No.	Drawing Number	Part Name	QTY	Remark
-------	----------	----------------	-----------	-----	--------

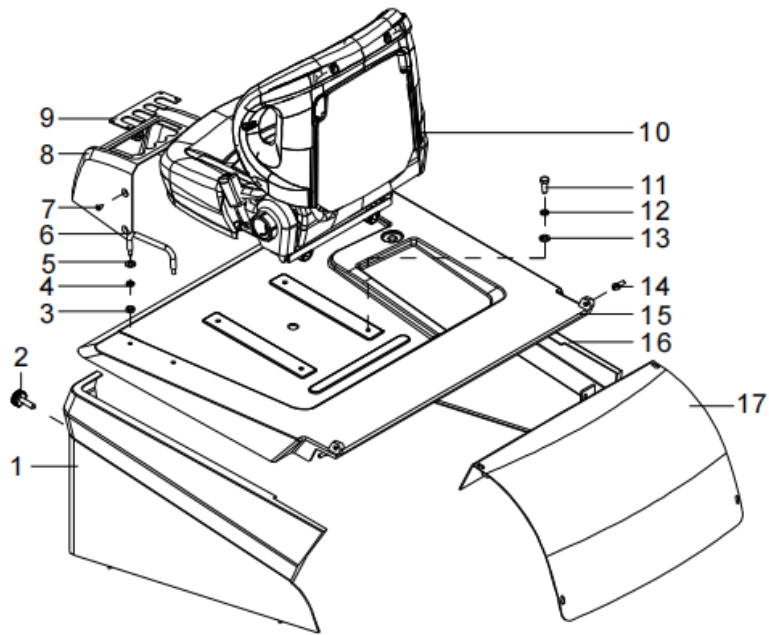
1	23000100021	GB276	Bearing 6300	8	
2	22600900009	GB894.1	Retaining ring 10	8	
3	72003000279	P12S0130002	roller	4	1.6T
4	72002000533	P12S0400002	Non-slip pedal	1	
	72002000497	P15S0400006	Non-slip pedal	1	
5	23100500001	NO.500 303830	Self-lubricating bearing	2	
6	22500100005	GB97.1	Washer 6	5	
7	22501200003	GB93	Washer 6	5	
8	2210010000016	GB818	Screw M6x12	5	
9	8P032004001	P15S0450000	Rear floor weld	1	1.6T
10	8P042003001	P12S0430000	Front floor weld	1	1.6T
11	75000100069	P12S0400001	Rubber floor	1	1.6T
12	8P042001001	P12S0410000	Frame	1	1.6T
13	75000100006	P250400001	Rubber cover	2	
14	8P042002001	P12S0420000	Side door welding	1	1.6T
15	75000300003	P15S0400003	Nylon cover	2	
16	22106500001	P250400002A	Knurled nut	3	
17	72001000011	P250400001A	Baffle plate	1	
18	8P032019001	P15S0120000	Pin	1	

## 7. Instrument stand



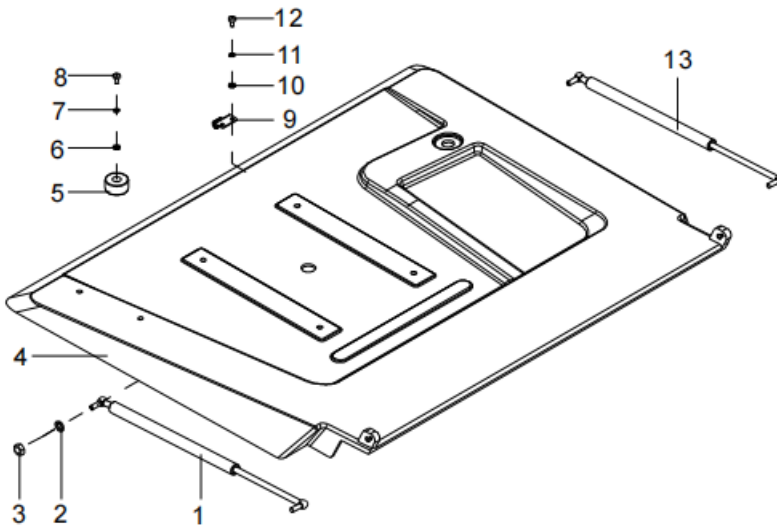
Index	Part No.	Drawing Number	Part Name	QTY	Remark
1	75000100067	P15S0910001	Instrument covering	1	1.6T
2	8P032003001	P15S0430000	Meter frame	1	
3	22101600025	GB70.1	Screw M6x12	7	
4	75000100006	P250400001	Rubber cover	2	

## 8. Overlay system



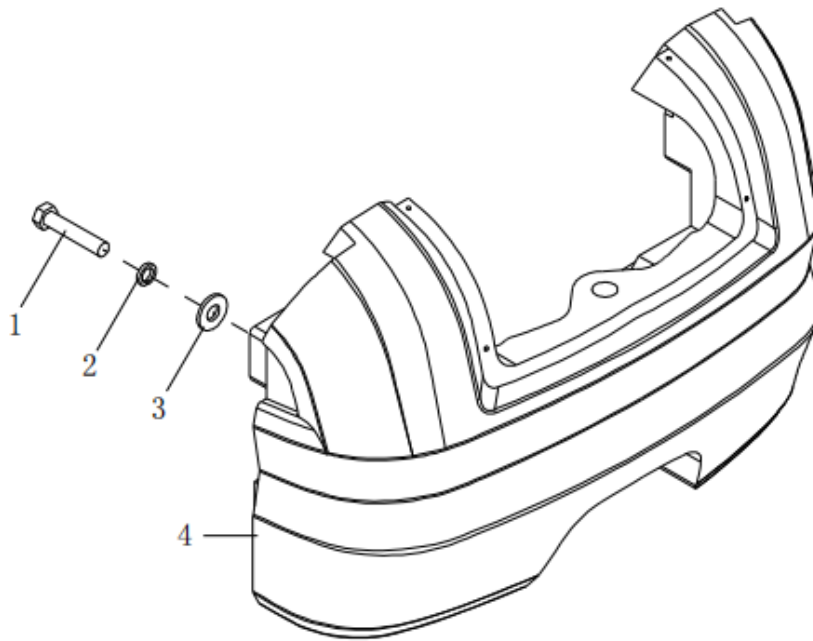
Index	Part No.	Drawing Number	Part Name	QTY	Remark
1	75000400034	P12S0900001	Left side plate	1	1.6T
2	22106500001	P250400002A	Knurled nut	6	
3	22400300003	GB6170	Nut M8	2	
4	22501200004	GB93	Washer 8	6	
5	22500100006	GB97.1	Washer 8	2	
6	72002005347	P250920002	Hand in hand	1	
7	22101600087	GB70.1	Screw M6x16	5	
8	75000400002	P250900002	Multiway valve covering	1	
9	75000400003	P250900003	Casing cap	1	
10	71000100005	P250930000	seat	1	
11	22000400016	GB5783	Bolt M8x30	4	
12	22501200004	GB93	Washer 8	4	
13	22500100006	GB97.1	Washer 8	4	
14	8P012023002	P250923000	Pin welding	2	
15	72002005348	P12S0920000	Hood mounting plate	1	1.6T
16	75000400035	P12S0900002	Right-side plate	1	1.6T
17	75000400036	P12S0900003	Rear cover plate	1	1.6T

## 9. Hood mounting



Index	Part No.	Drawing Number	Part Name	QTY	Remark
1	72009010006	P15S0923000	Gas spring (with self-locking)	1	
2	22501200004	GB93	Washer 8	2	
3	22400300003	GB6170	Nut M8	2	
4	75000400033	P12S0922000	hood	1	1.6T
5	75000100002	P250100001	cushion	2	
6	22500100005	GB97.1	Washer 6	2	
7	22501200003	GB93	Washer 6	2	
8	22101600087	GB70.1	Screw M6x16	2	
9	72002000095	P250920001	Hook hook	1	
10	22500100003	GB97.1	Washer 5	2	
11	22501200002	GB93	Washer 5	2	
12	2210160000133	GB70.1	Screw M5 x 10	2	
13	72009010007	P15S0921000	Gas spring	1	

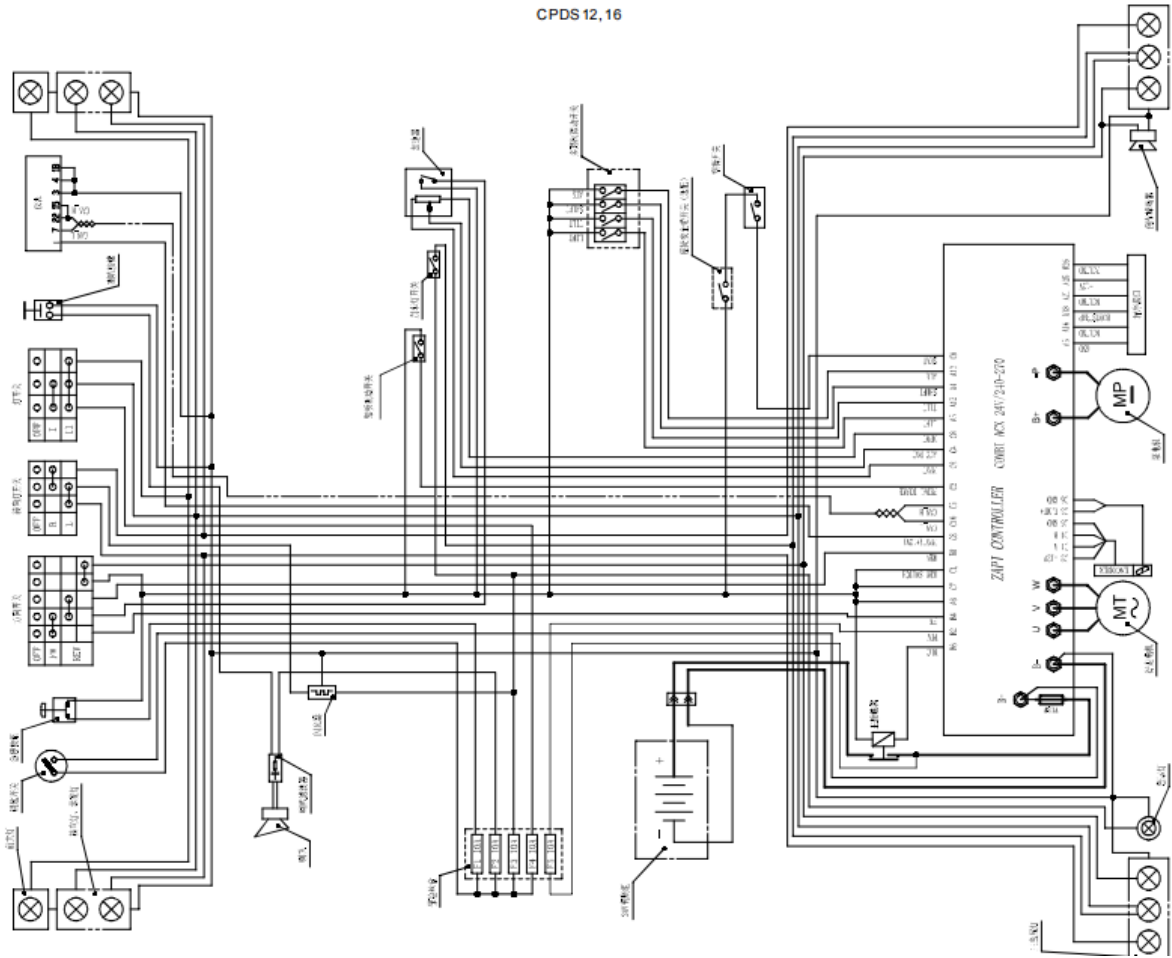
## 10. Counterweight



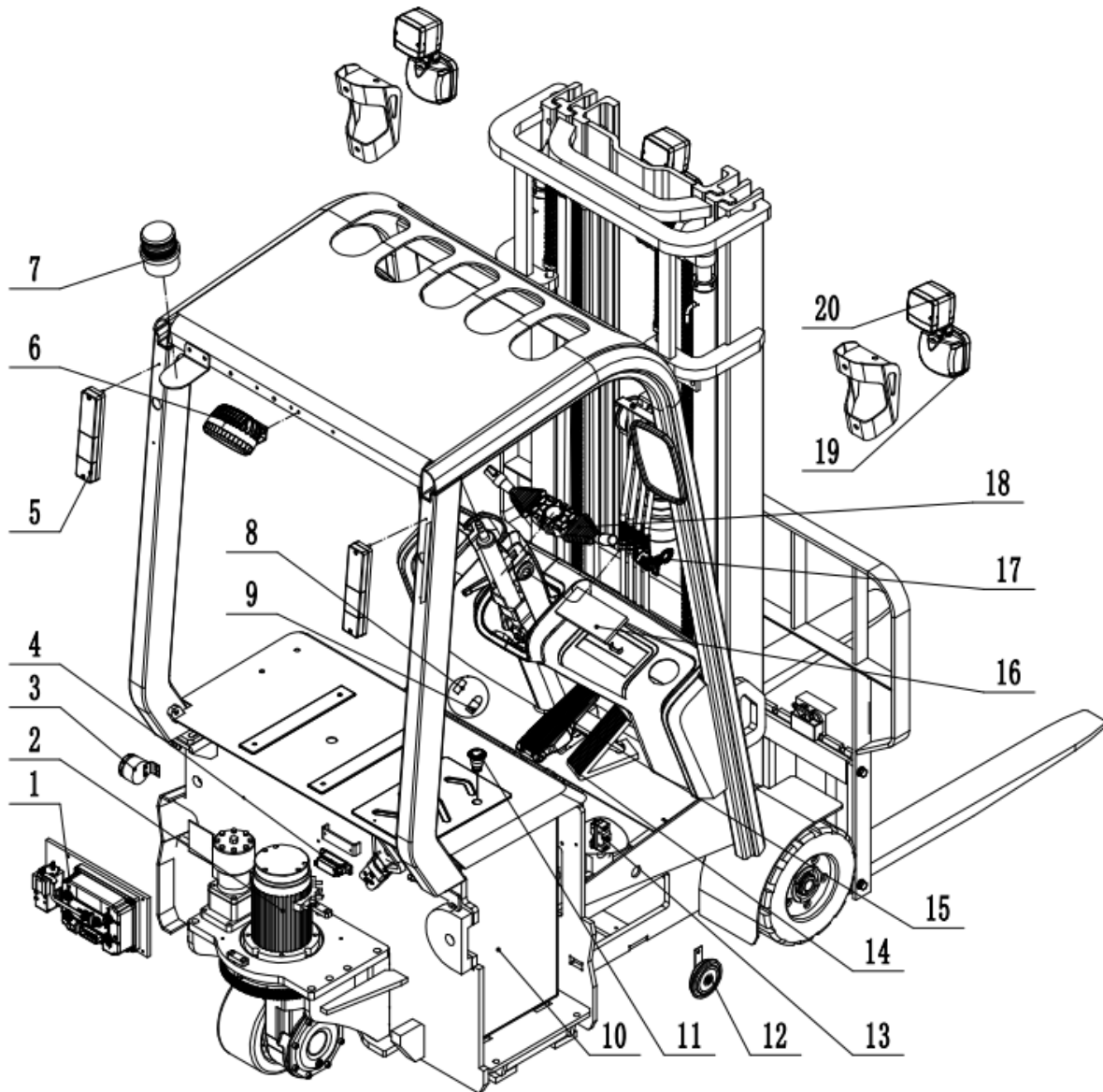
Index	Part No.	Drawing Number	Part Name	QTY	Remark
1	22000300055	GB5782	Bolt M24 x 70	2	
2	22501200010	GB93	Washer 24	2	
3	72001000204	P250800001	gasket	2	
4	72006000089	P12S0810000	counterweight	1	1.6T

# 11. Schematic diagram of electrical system (CPDS16)

CPDS 12, 16



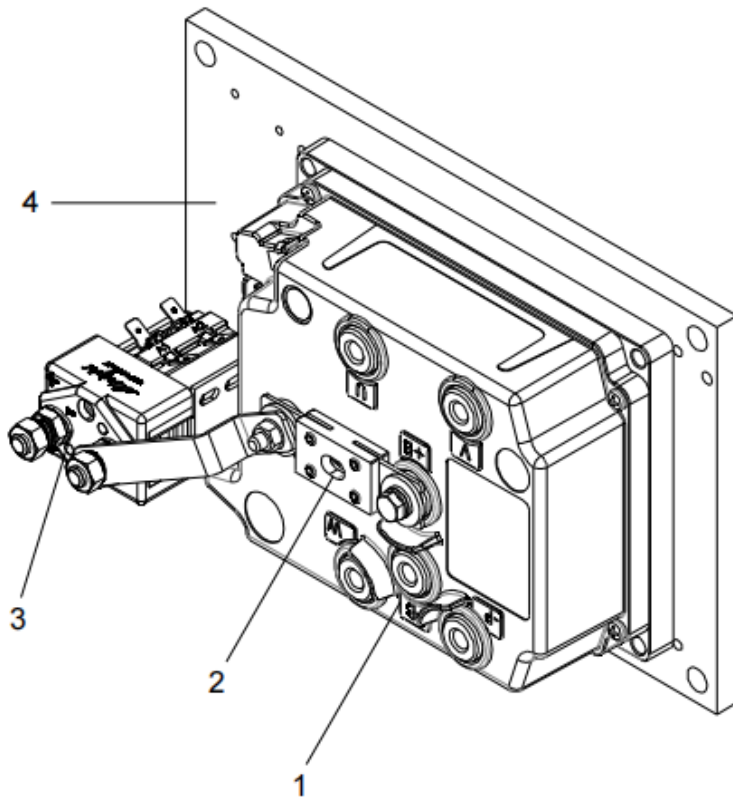
## 12. Electric assembly



Index	Part No.	Drawing Number	Part Name	QTY	Remark
1	110070000041	P12S1310000	Electric control assembly	1	
2	11008000052	P12S0210000	Traction motor assembly	1	

3	11000200003	P15S1350008	The reverse buzzer	1	
4	15000900001	P251350004	Six-way chip fuse box	1	
5	11000100003	P251360005	LED tricolor taillights	2	
6	11000100028	QDJ-V51360020	Blue light	1	
7	11000100004	P251360006	LED warning light	1	
8	11000200011	P15S1350006	Horn filter	1	
9	11000100011	P15S1350010	Flasher (can drive LED)	1	
10	11009000013	P12S0110000	Battery assembly	1	
11	11006000003	P251340007	Scram button	1	
12	11000200004	P15S1350007	Electric horn	1	
13	11006000001	P251340002	microswitch	3	
14	11003000003	P251310003	accelerator	1	Black acceleration
15	75000100096	P18S1310003	accelerator	1	Red brake
16	11005000003	P251310002	Instrument assembly	1	
17	11006000002	P251340004	Key switch	1	
18	11006000004	P251340001	Combination switch	1	
19	11000100001	P251360002	LED headlights	2	
20	11000100002	P251360004	LED double front light	2	

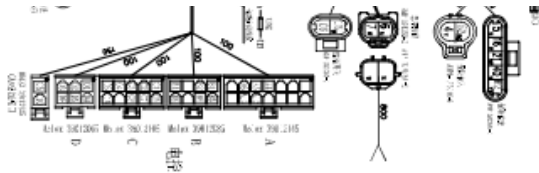
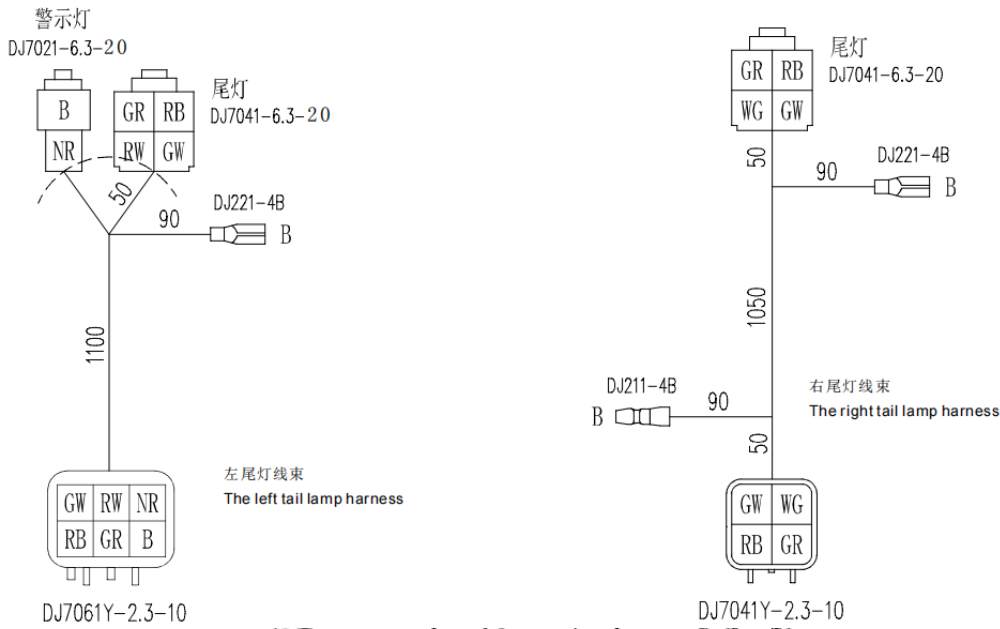
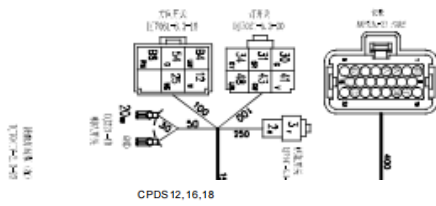
### 13. Electric control assembly



Index	Part No.	Drawing Number	Part Name	QTY	Remark
A	110070000041	P12S1310000	Electric control assembly	1	1.6T
1	11007000071		Electrically controlled COMBIACX PW 24/240+270	1	1.6T
2	15000900037		Fork pin type fuse 350A	1	1.6T
3			contactor	1	1.6T
4	75000200029	P12S1380001	Mounting plate	1	1.6T

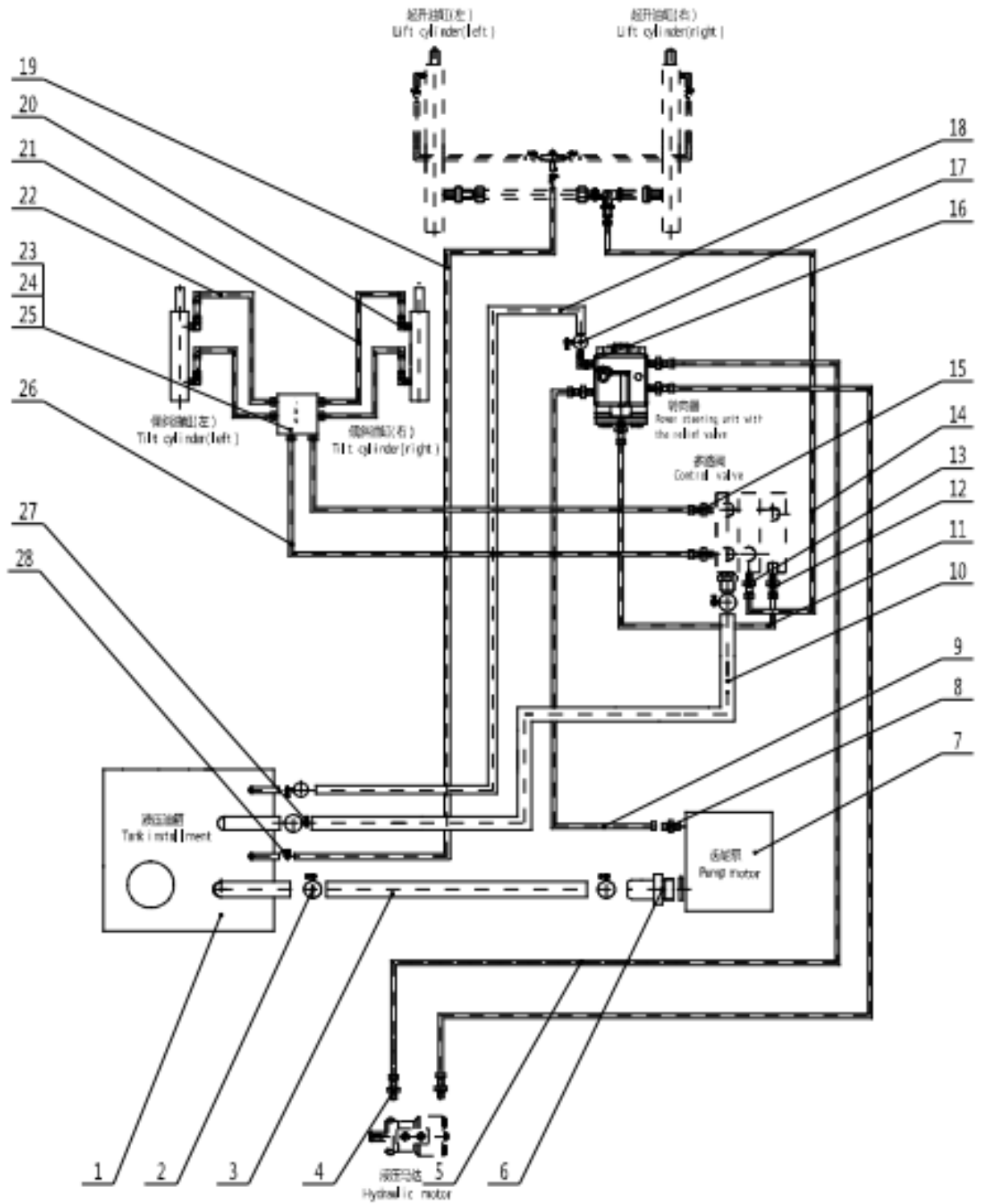
# 14. Body harness

## CPDS12, 16



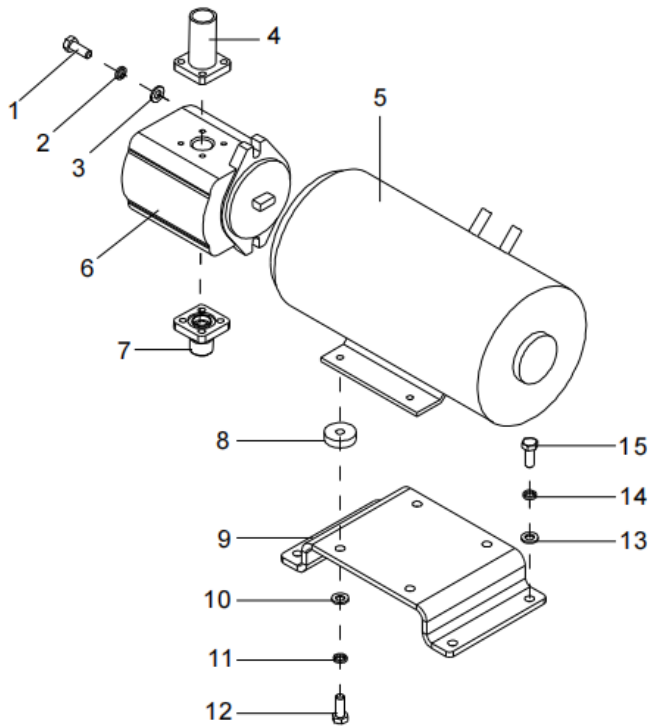
Index	Part No.	Drawing Number	Part Name	QTY	Remark
A	12000000314	P12S1321000L	Body harness	1	1.6T lithium battery
1	12000000111	P12S1321000	Body harness	1	1.6T of lead acid

### 15. Hydraulic line



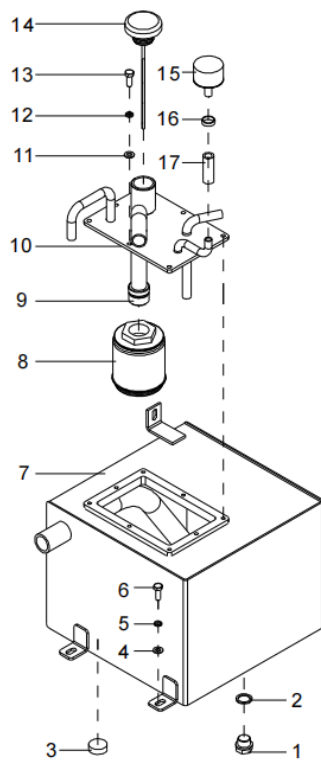
Index	Part No.	Drawing Number	Part Name	QTY	Remark
1	8P034006001	P15S1210000	Hydraulic tank assembly	1	
2	23300100002	JB8870	Throat band 25	2	
3	73004000147	P15S1200001	Pump oil inlet hose	1	
4	73006000008	P251200013	Steering gear outlet adapter	4	
5	73004000151	P15S1200007	Steering cylinder hose	2	
6	73006000042	P15S1200002	Pump inlet connection	1	
7	8P04400000001	P12S1220000	Oil pump motor installation	1	1.6T
8	73006000043	P15S1200003	Pump out oil connection	1	
9	73004000148	P15S1200004	Pump out the oil hose	1	
10	73004000149	P15S1200005	Multiway valve return oil hose	1	
11	73004000006	P251200008	Multi-valve oil inlet hose	1	
12	73006000006	P251200009	Right Angle joint	1	
13	73006000007	P258810001	Transition joint	3	
14	73004000163	P12S1200006	Speed limiting valve hose	1	
	73004000150	P15S1200006	Speed limiting valve hose	1	
15	73006000010	P251200012	Transition joint	2	
16	73006000011	P251200014	Connector assembly	1	
17	23300100002	JB8870	Throat band 25	2	
18	73004000595	P15S1200009	Oil return hose	1	
19	73004000596	P15S1200008	Oil return hose	1	
20	73006000009	P251200017	Transition joint	4	
21	73004000162	P12S1200001	Inclined oil inlet hose	2	1.6T
22	73004000011	P251200018	Inclined oil inlet hose	2	
23	73005000004	P251230000	Six-way valve assembly	1	
24	22101600036	GB70.1	Screw M8X30	1	
25	22501200004	GB93	Washer 8	2	
26	73004000013	P251200020	Six-way valve oil inlet hose	2	
27	23300100003	JB8870	Throat band 45	2	
28	23300100001	JB8870	Throat band 16	2	

## 16. Oil pump motor



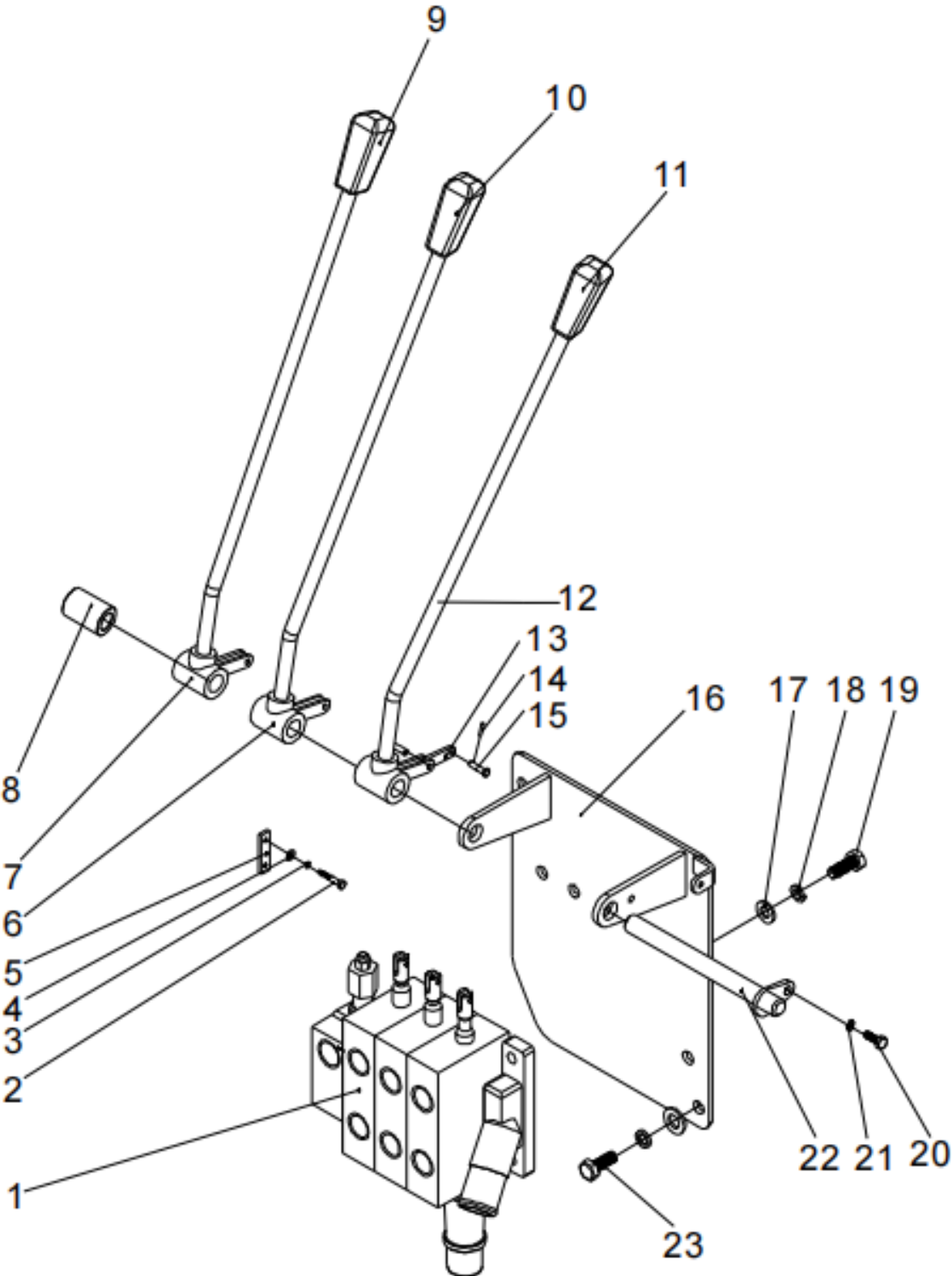
Index	Part No.	Drawing Number	Part Name	QTY	Remark
1	2200360000003	3/8"-24UNF-2Ax30	American fine tooth 3/8"-24UNF-2Ax30	2	
2	22500100007	GB97.1	Washer 10	2	
3	22501200005	GB93	Washer 10	2	
4	73006000042	P15S1200002	Pump inlet connection	1	
5	11008000020	P12S1222000	Oil pump motor	1	1.2,1.6T
6	73001000004	P15S1221000	Gear pump	1	
7	73006000043	P15S1200003	Pump out oil connection	1	
8	75000100065	P15S1220001	Rubber pad	4	
9	72002000498	P15S1220002	Bent plate	1	
10	22501200003	GB93	Washer 6	4	
11	22500100005	GB97.1	Washer 6	4	
12	22003600004	1/4"-20UNC-2Ax25	American coarse teeth 1/4"-20UNC-2Ax25	4	
13	22500100006	GB97.1	Washer 8	4	
14	22501200004	GB93	Washer 8	4	
15	22000300024	GB5783	Bolt M8x22	4	

## 17. Hydraulic tank assembly



Index	Part No.	Drawing Number	Part Name	QTY	Remark
1	72007000002	P251210007	Drain plug	1	
2	21001100001	JB982-77	Combined washer 20	1	
3	79000400001	P251210002	magnet	1	
4	22500100006	GB97.1	Washer 8	3	
5	22501200004	GB93	Washer 8	3	
6	22000300024	GB5783	Bolt M8 x 22	3	
7	73000200005	P15S1211000	Hydraulic tank	1	
8	73000100001	P251210001	Oil filter	1	
9	73000200006	P15S1212000	Hydraulic tank cover plate welding	1	
10	75000500002	P251210006	gasket	1	
11	22500100005	GB97.1	Washer 6	8	
12	22501200003	GB93	Washer 6	8	
13	22000400013	GB5783	Bolts M6x16	8	
14	73009900011	P15S1210001	Dipstick assembly	1	
15	73000100002	P251210004	respirator	1	
16	23300100005	JB8870	Throat band Ø13	2	
17	73004000015	P251210003	Rubber hose	1	

18. Lever assembly (3 pieces)



Index	Part No.	Drawing Number	Part Name	QTY	Remark
1	73005000002	P251180000	Multiway valve	1	
2	22101600014	GB70.1	Screw M4 x 25	6	
3	22500100002	GB97.1	Washer 4	6	
4	22501200001	GB93	Washer 4	6	
5	72001000014	P251370001	Microswitch mounting plate	3	
6	8P012001002	P251130000	Control stick	1	
7	8P012001003	P251140000	Control stick	1	
8	72003000039	P251100007	Shaft sleeve	1	
9	75000100020	P251100003	Handle ball	1	
10	75000100021	P251100004	Handle ball	1	
11	75000100022	P251100005	Handle ball	1	
12	8P012001004	P251150000	Joystick welding	1	
13	72001000958	P251100002	Connecting plate	3	
14	22801600001	GB91	Cotter pin 1.6×12	6	
15	72003000034	P251100001	pin	6	
16	8P012006001	P251110000	Backplane bonding	1	
17	22500100007	GB97.1	Washer 10	6	
18	22501200005	GB93	Washer 10	6	
19	22000600005	GB5785	Bolt M10 x 1.25 x 40	3	
20	22000400012	GB5783	Bolt M6x12	1	
21	22501200003	GB93	Washer 6	1	
22	8P012023003	P251120000	Pin welding	1	
23	22000400002	GB5783	Bolt M10 x 20	3	

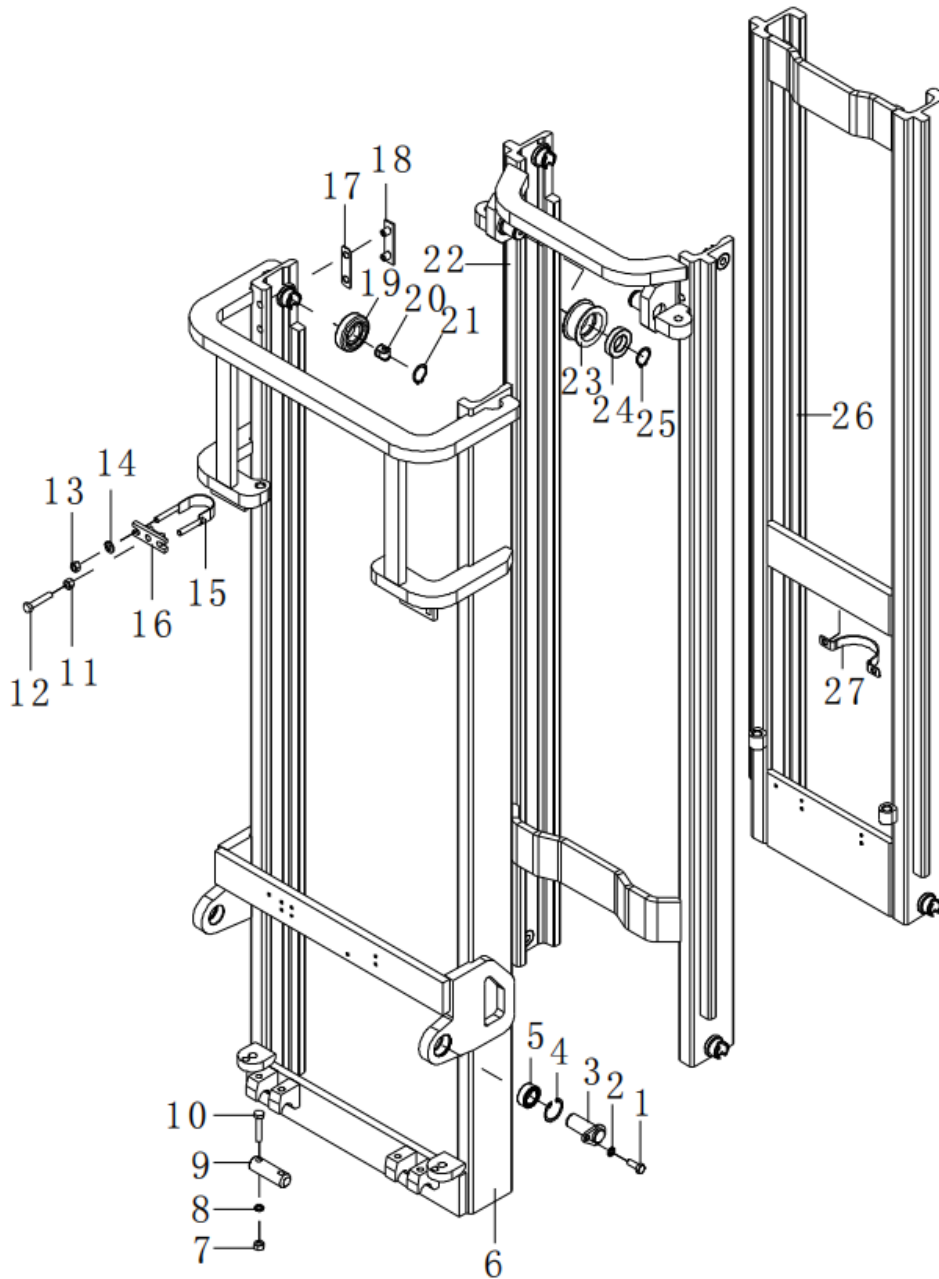
19. Label



Index	Remark
1	
2	
3	
4	
5	1.6T
6	
7	30010100012
	P251410014
	Door frame clamp warning
	1

			sign		
8	30010100009	P251410009	Label of battery maintenance precautions	1	
9	30010100003	P251410003	No signage on or off the fork	2	
10	30010100010	P251410010	Battery usage notice label	1	
11	30010100055	P161420002	Vehicle identification 16	2	1.6T
12	30010100005	P251410005	Hoisting mark	3	
13	30010100002	P251410002	Lubricated icon	1	
14	30010100006	P251410006	Working oil label	1	
15	30010100063	P251410004	CE marking	1	

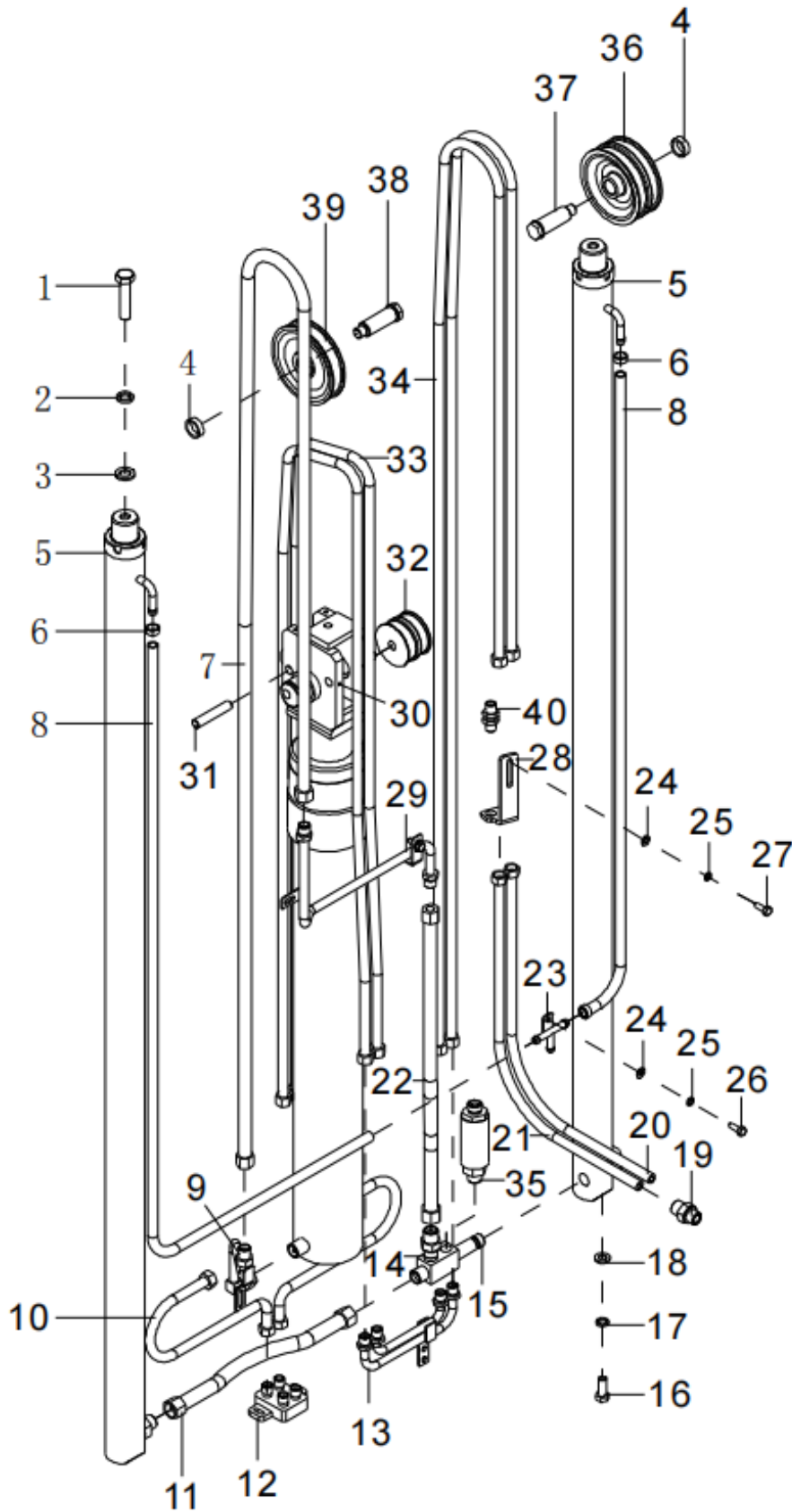
## 20. Three stage full free gantry



Index					Remark
1					
2					
3					
4					
5					
6	8P042006010 Lifting height	P12S8201000 Outer frame	Middle frame	1 Inner frame	
7	22400300006 4500	GB6170 P12S8301045	Nut M12 P15S8304045	4 P15S8302045	
8	22501200006 4800	GB93 P12S8301047	Washer 12 P15S8304047	4 P15S8302047	
9	72003000267	P15S8200001	pin	2	
10	22003000018	GB5782	Bolt M12x70	4	
11	22406000002	GB6176	Nut M12x1.25	2	
12	22000700004	GB5786	Bolt M12x1.25x60	2	
13	22403000008	GB889.1	Lock nut M10	4	
14	22500100007	GB97.1	Washer 10	4	

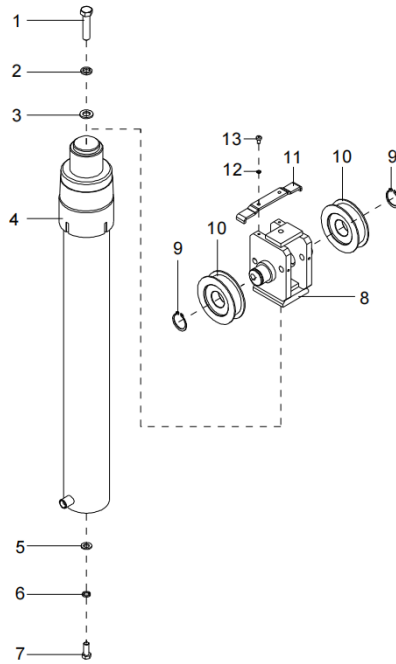
15	8P032017001	P15S8206200	booth	2	
16	8P032016001	P15S8206100	Clamp seat	2	
17	72001007218	P258200004	Adjusting pad		
18	75000300004	P258200003	Adjustment block	2	
19	71003000119	NL078.3.00	Main roller	4	
20	71003000120	CGL207-00	Side roller	4	
21	22600900007	GB894.1	Retaining ring 35	4	
22	8P062000011	P15S8304000	Middle door frame welding	1	
23	71004100006	QDA06008	Chain roller	2	
24	23000100013	GB276	Bearing 6007-Z	4	
25	22600900007	GB894.1	Retaining ring 35	2	
26	8P062000012	P15S8302000	Inner door frame welding	1	
27	72002000500	P15S8100001	Fixed plate	1	

21. Three-stage side shift piping system

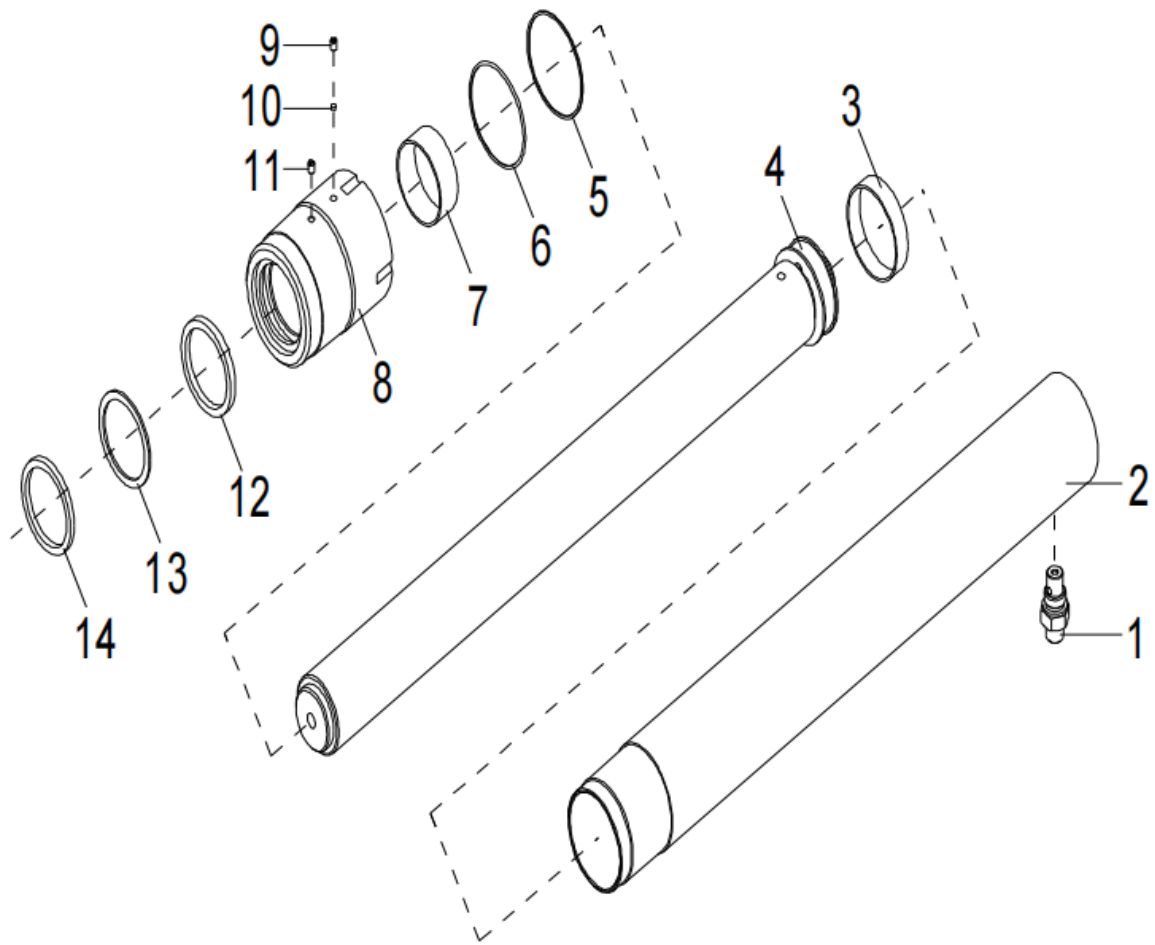


Index	Part No.	Drawing Number	Part Name	QTY	Remark
1	22000700007	GB5786	Bolt M14 x 1.5 x 45	2	
2	22501200007	GB93	Washer 14	2	
3	22500100009	GB97.1	Washer 14	2	
4	75000300027	P15S8823003	Shaft sleeve	2	
5	40000000233	P15S8291000	Lifting cylinder	2	
6	23300100001	JB8870	Throat band 16	5	
7	73004000599	P251784048	Medium cylinder oil inlet hose Hm	1	
8	73004000018	P258810003	Hose φ12×16	2	
9	73003000068	P15S8714000	Hard tube for oil intake	1	
10	73004000016	P258820005	Hose assembly	2	
11	73004000221	P15S8710001	Hose assembly	1	
12	73005000006	P258825000	Valve block assembly	1	
13	8P032024001	P15S8721000	Steel pipe welding	1	
14	73006000014	P258710003	Transition joint	1	
15	73006000067	P15S8711000	Connector assembly	1	
16	22000700002	GB5786	Bolt M12 x 1.25 x 35	2	
17	22501200006	GB93	Washer 12	2	
18	22500100008	22500100008	Washer 12	2	
19	73006000013	P251200022	Transition joint	2	
20	73004000041	P258820002	Hose assembly	1	
21	73004000042	P258820003	Hose assembly	1	
22	73004000220	P15S8710002	Hose assembly	1	
23	73006000012	P258810004	Tee joint	1	
24	22500100006	GB97.1	Washer 8	10	
25	22501200004	GB93	Washer 8	10	
26	22000300024	GB5783	Bolt M8 x 22	8	
27	22000400001	GB5783	Bolt M8 x 35	2	
28	72001006900	P15S8720001	support	1	
29	73003000067	P15S8712000	Hard tube for oil intake	1	
30	22102700001	GB78	Setting screw M6x8	2	
31	72003000035	P258720002	shaft	2	
32	75000300007	P258720001	Medium cylinder pulley	2	
	73004000031	P258721047	Hose assembly	2	
	73004000597	P15S8822033	Hose assembly	2	
35	73005000029	P15S8812000	Governor valve	1	
36	75000300028	P15S8823002	pulley	1	
37	72003000038	P258823001	shaft	1	
38	72003000084	P258716002	shaft	1	
39	71004000020	P15S8715001	pulley	1	
40	73006000064	P15S8720002	Transition joint	2	

## 22. Front lifting cylinder

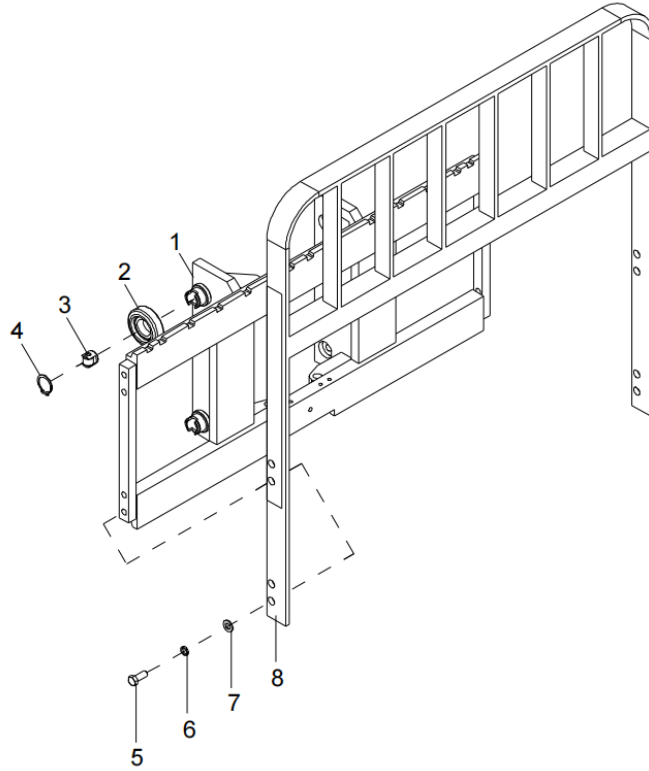


Index	Part No.	Drawing Number	Part Name	QTY	Remark
	4000000232	P15S8194000	Front lifting cylinder	1	
1	73005000084	P15S8194011	Shutoff valve	1	
2	73007000337	P15S8194001	Cylinder block	1	
3	75000300109	P15S8194002	Supporting ring for hole	1	
4	72003001298	P15S8194003	Piston rod	1	
5	40000000622	P15S8194004	retainer	1	
6	21000100102	GB3452.1	O-ring d90×3.55	1	
7	40000000421	P15S8194005	Steel-backed bearing	1	
8	72003001299	P15S8194006	Cylinder cover	1	
9	22102700006	GB78	Flat end setting screw M8×10	1	
10	75000300110	P15S8194007	Nylon pad	1	
11	72007000058	Q/ZB285	Screw plug ZG1/4"	1	
12	40000000623	P15S8194008	Shaft seal	1	
13	40000000624	P15S8194009	retainer	1	
14	40000000625	P15S8194010	Dust ring	1	



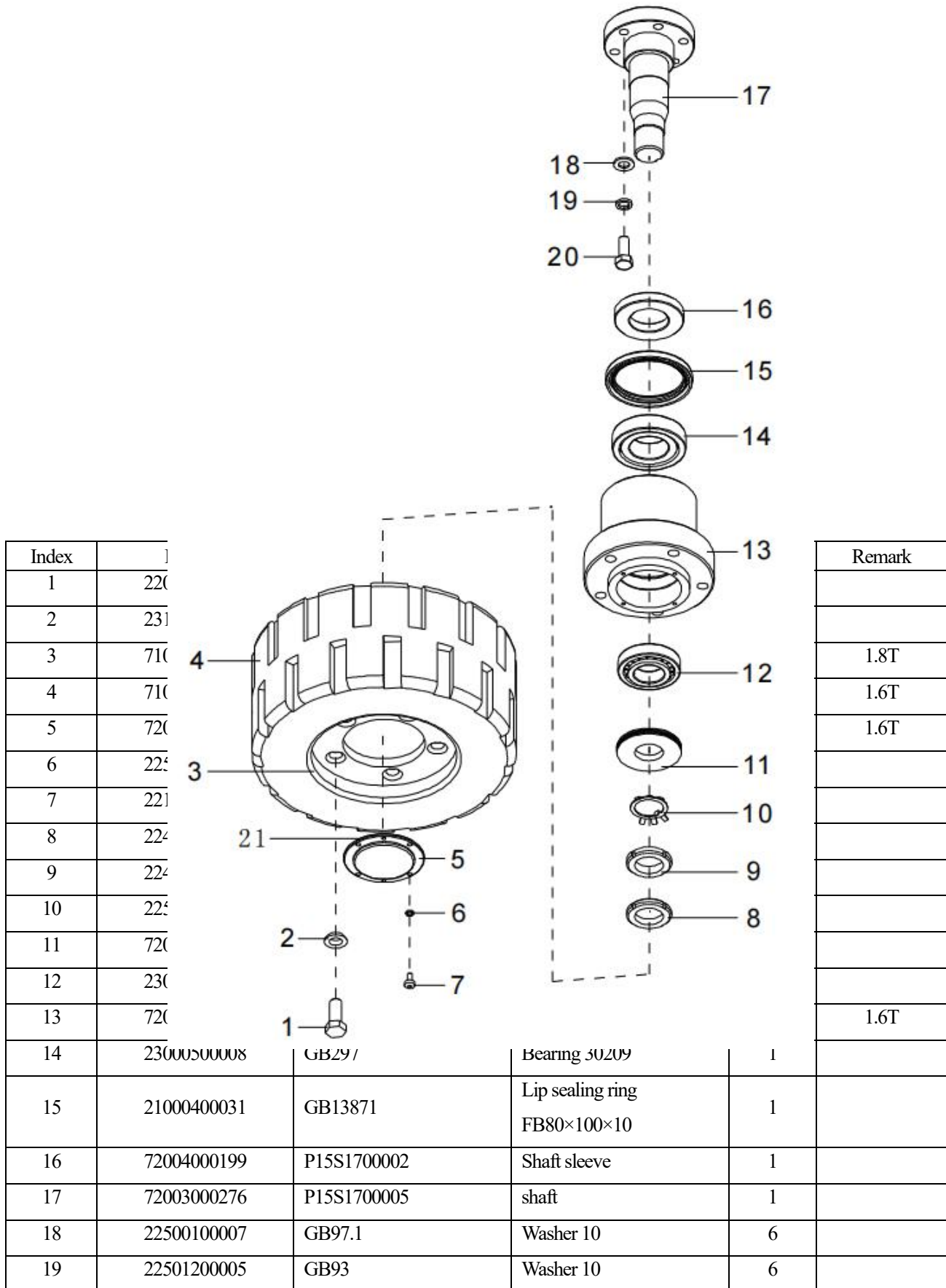
Index	Part No.	Drawing Number	Part Name	QTY	Remark
1	22000400011	GB5783	Bolt M16 x 50	1	
2	22501200008	GB93	Washer 16	1	
3	2250010000014	GB97.1	Washer 16	1	
4	40000000232	P15S8194000	Front lifting cylinder	1	
5	22500100008	GB97.1	Washer 12	1	
6	22501200006	GB93	Washer 12	1	
7	22000700002	GB5786	Bolt M12 x 1.25 x 35	2	
8	8P032011001	P15S8622100	Sprocket seat welding	1	
9	22600900005	GB894.1	Retaining ring 40	2	
10	71004100006	QDA06008	Sprocket wheel	2	
11	72002000190	P258715001	Stop plate	1	
12	22501200003	GB93	Washer 6	2	
13	22000400052	GB5783	Bolt M16 x 20	2	

### 23. Fork rack assembly



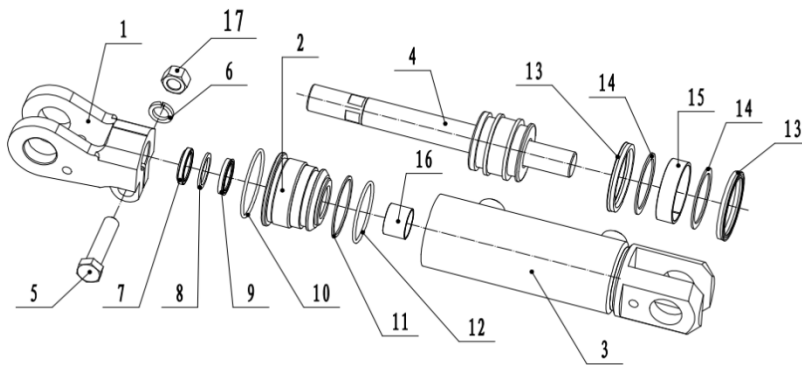
Index	Part No.	Drawing Number	Part Name	QTY	Remark
1	8P062000005	P12S8303000	Fork rack	1	1.6T
2	71003000119	NL078.3.00	Main roller	4	
3	22600900007	GB894.1	Retaining ring 35	4	
4	71003000120	CGL207-00	Side roller	4	
5	22000400003	GB5783	Bolt M10 x 30	8	
6	22501200007	GB93	Washer 14	8	
7	22500100009	GB97.1	Washer 14	8	
8	8P042008001	P12S8204000	backstopper	1	1.6T

## 24. Axle assembly



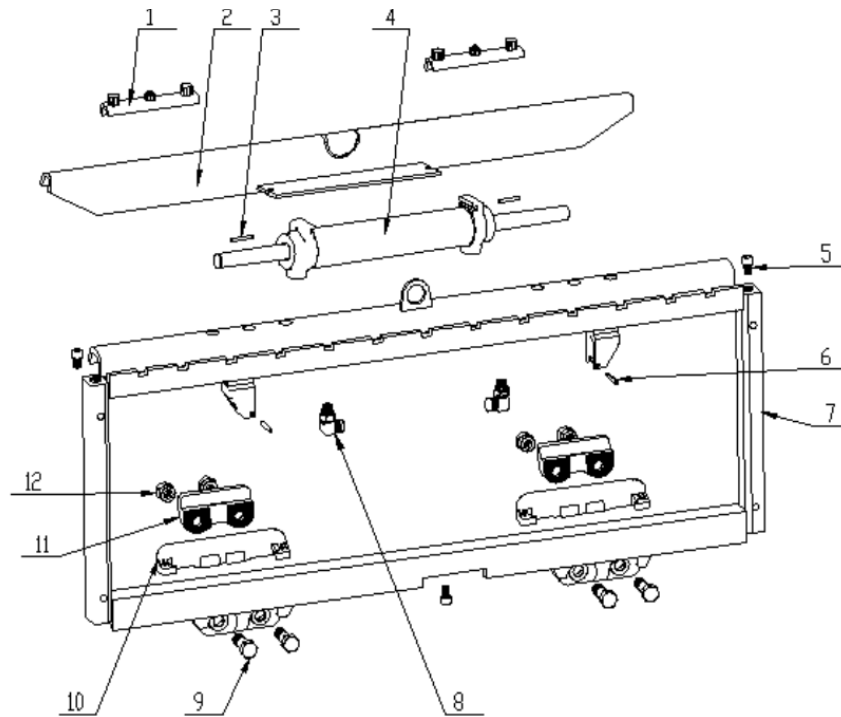
20	22000400029	GB5783	Bolt M10 x 40	6	
21	21000100034	GB3452.1	O-ring Dφ69×3.55	1	

## 25. Tilting Cylinder



Index	Part No.	Drawing Number	Part Name	QTY	Remark
1	4000000637	T15840830-1	Earrings	1	
2	4000000638	MS16785-3A	Cylinder cover	1	
3	4000000639	P15S8293000-3	Cylinder block	1	
4	4000000640	P15S8293000-4	Piston rod	1	
5	4000000641	GB5783-86	Bolt M14x1.5x45	1	
6	4000000642	GB93-87	Spring washer 14	1	
7	4000000643	DH 25	Dust ring	1	
8	4000000644		Stop ring $\Phi 25 \times \Phi 33 \times 2$	1	
9	4000000645		Shaft seal ISI 25x33x5	1	
10	4000000646	GB1235-76	O-ring D68x3.1	1	
11	4000000647		Retaining ring $\Phi 57.6 \times \Phi 63 \times 1.5$	1	
12	4000000648	GB3452.1-82	O-ring d56x3.55	1	
13	4000000649		Hole seal OSI 63x53x6	2	
14	4000000650		Retaining ring $\Phi 53 \times \Phi 63 \times 1.5$	2	
15	4000000651		Supporting ring D63x14.7x1.5	2	
16	4000000652		Steel back bearing $\Phi 28 \times \Phi 25 \times 18$	1	
17	4000000653	GB6170-86	Hexagon nut M14	1	

## 26. Suspended Side Shifter



Index	Part No.	Drawing Number	Part Name	QTY	Remark
	40000000654	P12S9201000	Mounted side shifter assembly	1	
1	40000000655	1203-000010	Upper wear block	2	
2	40000000656	1203-220000.3	Hanging plate assembly	2	
3	228007000041	GB879.1	Elastic cylindrical pin $\Phi 5 \times 35$	2	
4	40000000657	0211.4-200-572	Move the cylinder sideways	1	
5	22101600184	GB70.1	Hexagonal cylindrical head screw M10x12	3	
6	22800700037	GB879.1	Elastic cylindrical pin $\Phi 5 \times 40$	2	
7	40000000658	1213-100000	Frame component	1	
8	40000000659		Right Angle joint	2	
9	40000000660	GB5783-2000	Hexagon head bolt M16X45	4	
10	40000000661	1203-000002	Lower wear block	2	
11	40000000662	1203-000001	Bottom hook	2	
12	40000000663		Nylon nut M16(Grade 4)	4	