

EKKO[®]

MATERIAL HANDLING EQUIPMENT

MOVING AHEAD

COUNTERBALANCE STACKER EK13 & EK14 SERIES

- Load Capacity 2860-3300 lbs.
- Lift Height 118 - 138 in.
- EPS (Elec. Power Steer)
- Length 109 in.
- Curtis Instrument Controller
- Tilt 2/5 degree
- Mast Height 78 – 84 in.
- Batteries & Charger Included
- 3 Year Limited Warranty



www.ekkolifts.com

EK13 & EK14 SERIES

Superior quality, maneuverable, compact, and durable for all your material handling applications. Ideal for small aisles and areas.

WEIGHT CAPACITY: 2860-3300 lbs. @ 24" load center

LIFT HEIGHT: 118" or 138" (9.8 ft. or 11.5 ft)

FORK LENGTH: 45.3"

MAST HEIGHT: 78" or 84"

TURNING RADIUS: 57"

TILT: 2/5 degree

BATTERY / CHARGER: 24V 210AH,
24-volt Industrial batteries with external direct
connect 110A 110VAC plug-in automatic 24V/30A
charger (both Included)

BRAKING: Electromagnetic Brakes

SPEED TRAVEL: 3.7 mph empty ; 3.5 mph loaded

LIFTING SPEED: 5.1 ips empty; 4 ips loaded

LOWERING SPEED: 4.7 ips empty; 5.3 ips loaded

DRIVE WHEELS: 10" x 2.75" Polyurethane

LOAD WHEELS: (2) 9.5" x 4.75" Polyurethane

HYDRAULICS LIFTING MOTOR: 24V 2500 Watt lifting motor with hardened chrome moly steel for durability.

DRIVE MOTOR: 24V 2500 Watt German ZF AC drive motor for efficiency and high torque.

STEERING MOTOR: EPS (Electronic Power Steering) 24V 200 Watt

AC CONTROLLER: 24V CURTIS Instrument provides performance through entire range of speed; Constant travel speed regardless of load; Battery discharge indicator combination gauge.

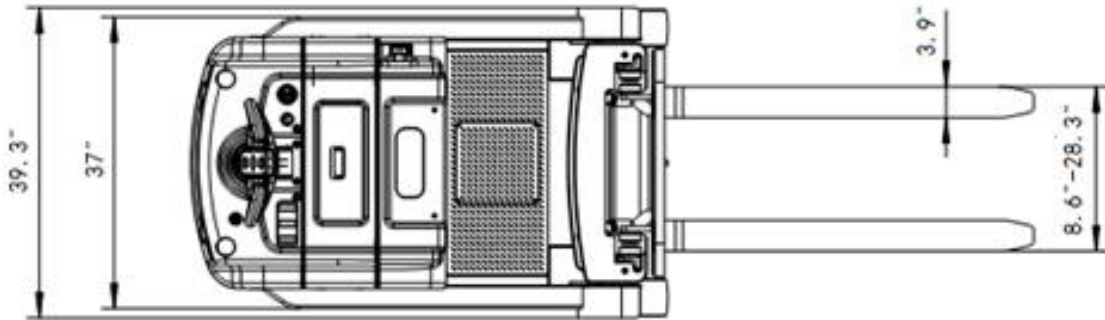
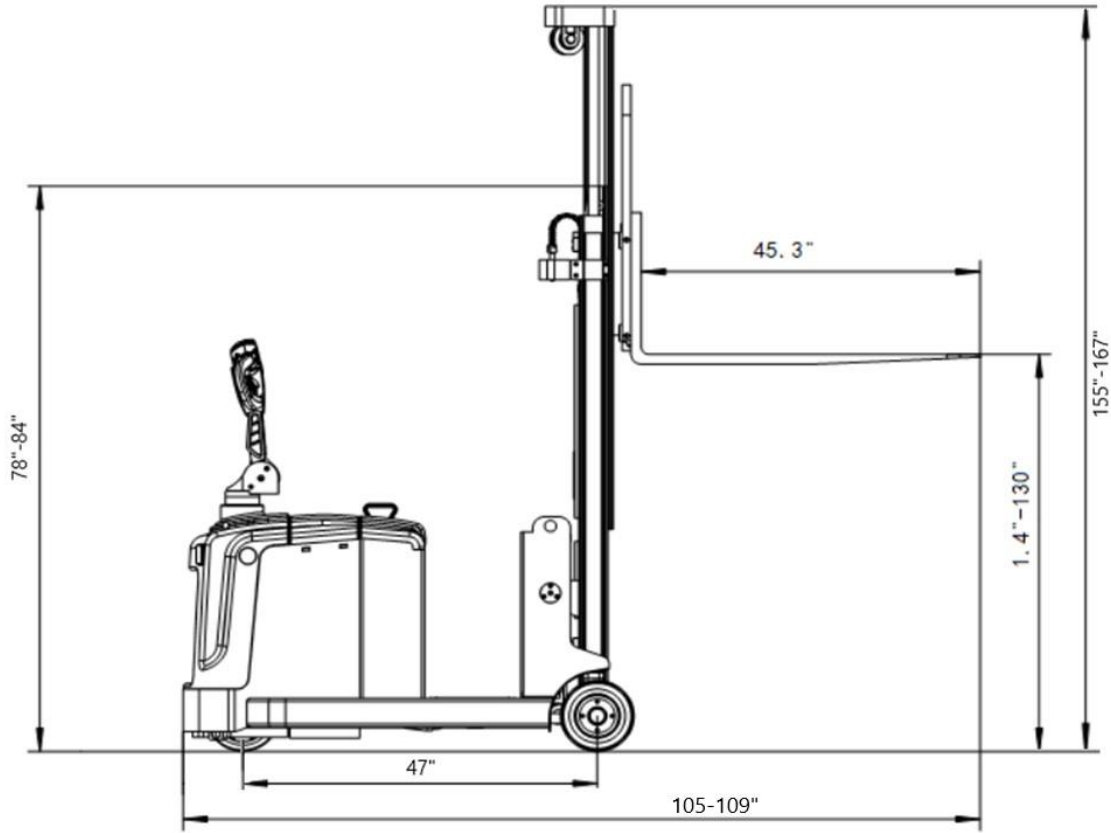
BRAKES: Electro-magnetic braking for secure stopping power; Electronic neutral braking for accurate control.

OPERATOR CONTROLS: EPS (Electric Power Steering), tilt lifting, lowering, horn functions are located in the ergonomic handle; Belly button reverse safety feature allows the unit to stop and reverse to avoid collision or injury.

CHASSIS AND MAST: Robotic Welding; Heavy duty steel chassis with I-beam mast for durability; Telescoping mast.



Counterbalance Stacker



MODEL #	LOAD	MAST	LIFT HEIGHT	MAX MAST HEIGHT	TOTAL LENGTH	SERVICE WEIGHT
EK13	2860lbs	78"	118"	155"	105"	3652
EK13-130	2860lbs	84"	130"	167"	105"	3750
EK13-138	2860	88"	138"	174"	105"	3830
EK14	3300lbs	78"	118"	155"	109"	3740
EK14-130	3300lbs	84"	130"	167"	109"	3840