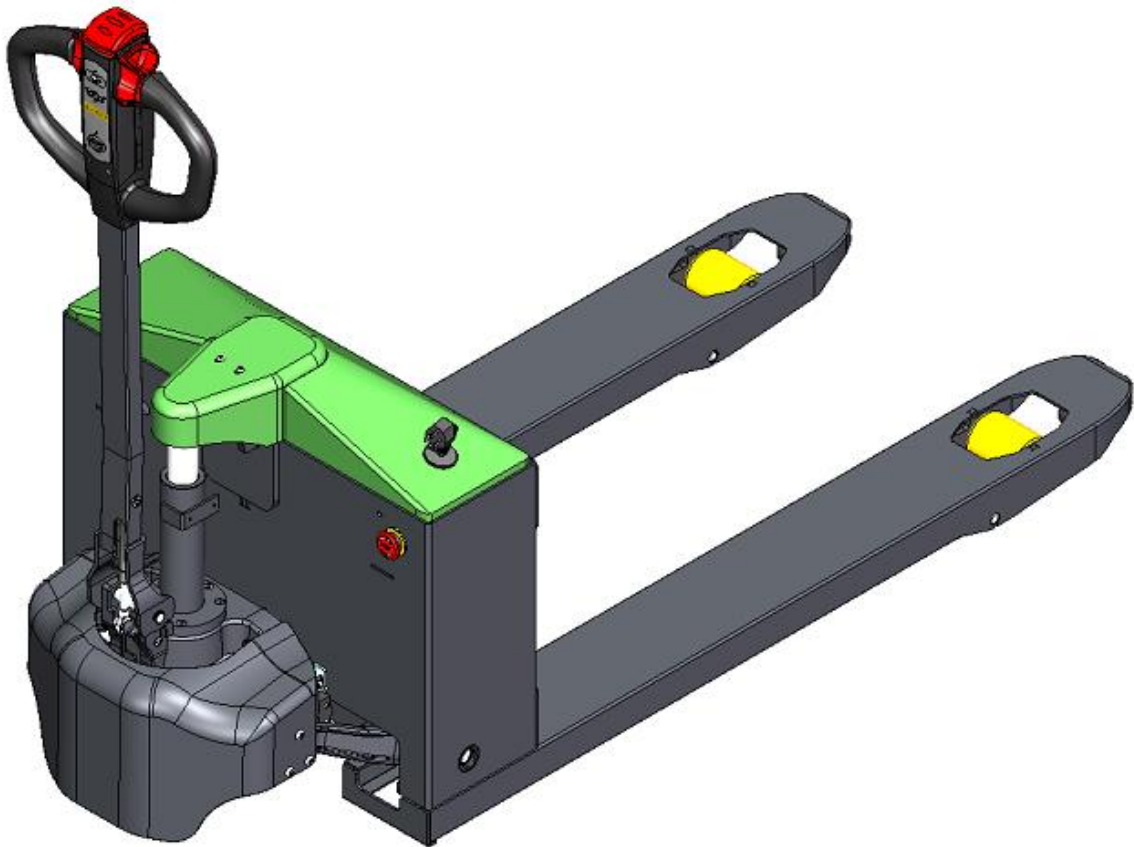


Parts Manual Walkie Pallet Truck EP15/18/20JLIC



1. Steering system

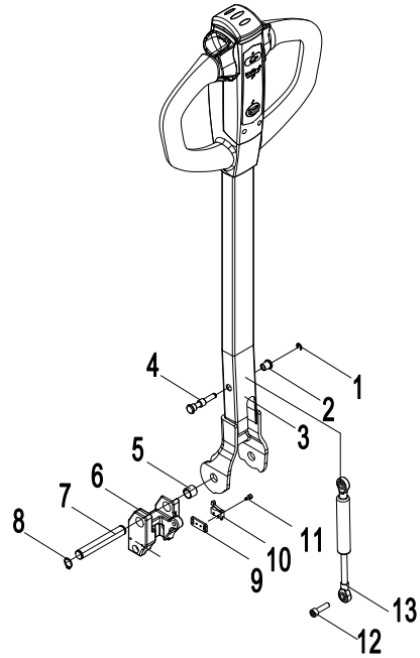


Figure1

No.	Code	Figure	Name	Qty	Remarks (weight)
1	22601100002	GB896	Retaining ring 6	1	0.001
2	72003001207	QDA1502E0320003	Shaft sleeve	1	0.007
3	8D05101700003	QDA1502E0321000	Tiller assembly	1	5.21
4	72003001206	QDA1502E0320002	Pin shaft $\Phi 16 \times 43.9$	1	0.037
5	2310050000001	SF-1-16170	Flanged composite bushing	2	0.01
6	72006000181	QBM15021600010	$\Phi 18 \times \Phi 16 \times 17$	1	0.95
7	72003000376	QBA15-00004	Upper bracket	1	0.17
8	22600900003	GB894.1	Pin shaft $\Phi 16 \times 103$	2	0.001
9	72001006648	QBA20C-01005	Retaining ring 16	1	0.01
10	11006000030	QBA15-1340006	Limit fixing plate	1	0.01
11	22101600010	GB70.1	SW1 Handle interlock switch	1	0.002
12	22101600036	GB70.1	Hexagonal cylindrical head screw M4x8	1	0.017
13	72009040039	QDA1502E0320001	Hexagonal cylindrical head screw M8x30	1	0.22

Table 1-1

2. Handle assembly

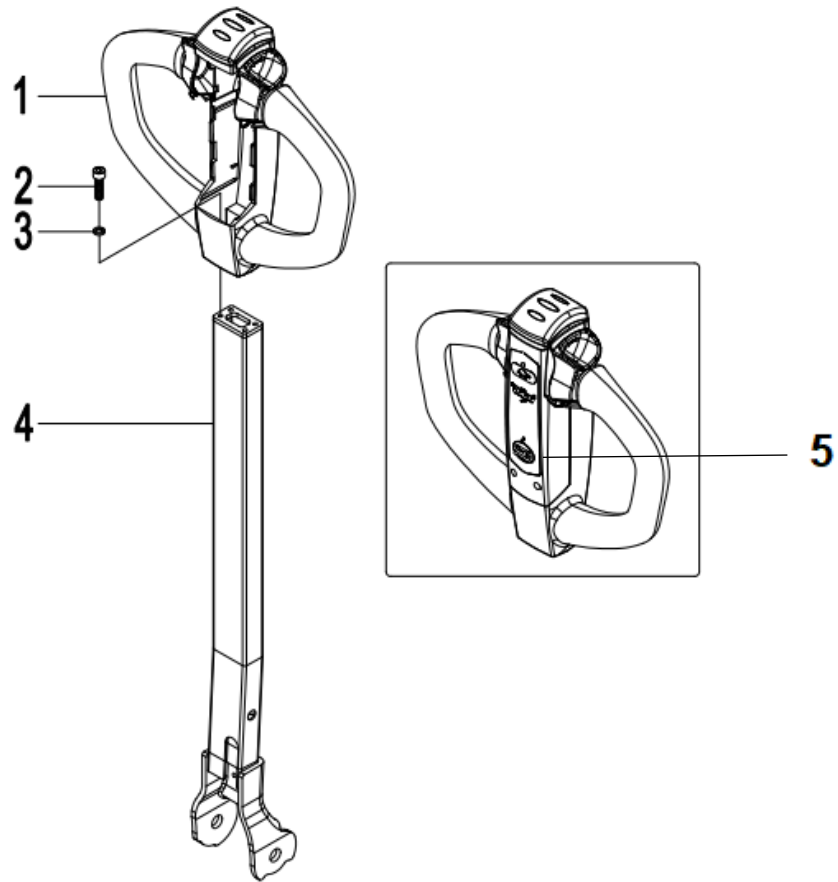


Figure1.2

No.	Code	Figure	Name	Qty	Remarks (weight)
1	12000000272	T400-5	Electronic handle (magnetic)	1	1.7
2	22101600028	GB70.1	Hexagonal cylindrical head screw M6x20	4	0.001
3	22501200003	GB93	Standard spring washer 6	4	0.001
4	72003001208	QDA1502E0321100	Handle	1	3.51
5	30160000183	/	Magnetic keychain	1	0.01

Table1-2

3. Drive system

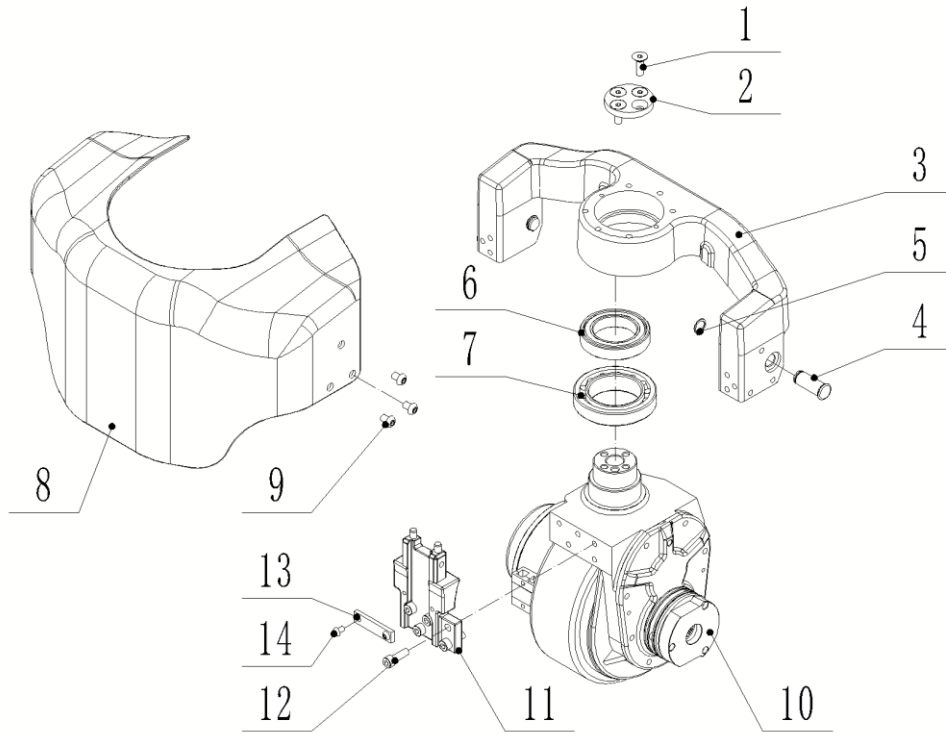


Figure2

No.	Code	Figure	Name	Qty	Remarks (weight)
1	2210180000035	GB70.3	Hexagonal countersunk head screw M8×25	4	0.015
2	8B13400000020	QBA15-0300002	Drive connecting plate	1	0.13
3	7200100001983	QBA15-0300001	Supporting seat	1	9
4	72003000569	QBA15-0000001	Pin shaft Φ16×43.9	2	0.07
5	22600900003	GB894.1	Retaining ring 16	2	0.001
6	2300010000050	GB276	Bearing 6010	1	0.25
7	2300050000011	GB297	Bearing 32012	1	0.57
8	QBA15-0900001	75000400053	fender	1	0.7
9	22101700007	GB70.2	Hexagon flat round head screw M8×12	6	0.001
10	71003000080	QBA15-02001A	Drive assembly	1	24.58
11	72006000182	QBM15020300010	Lower bracket	1	1.02
12	22101600035	GB70.1	Hexagonal cylindrical head screw M8×25	5	0.015
13	8B13400000019	QBA15-0000009	Cable ramp	1	0.03
14	22101700007	GB70.2	Flat round head screw M8×12	6	0.001

Table2-1

4. Drive assembly

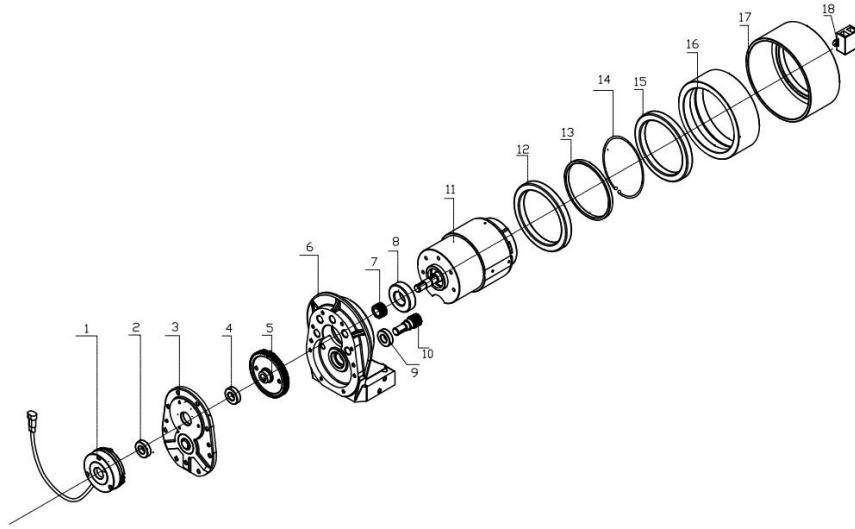


Figure3

No.	Code	Figure	Name	Qty	Remarks (weight)
1	4000000530	QBA15-09001	Brake disc	1	1.29
2	4000000531	TC28/16/7×98C	Sealing ring	1	0.003
3	4000000532	QBA15-09002	Housing cover	1	1.5
4	23000100051	GB276	Bearing 6905	1	0.053
5	4000000533	QBA15-09003	1.25 modulus large helical teeth	1	0.56
6	4000000534	QBA15-09004	box	1	7.52
7	4000000535	QBA15-09005	1.25 module small helical teeth	1	0.04
8	4000000536	TC42/20/7	Sealing ring	1	0.004
9	23000100052	GB276	Bearing 6903	1	0.025
10	4000000537	QBA15-09006	1.5 module straight teeth	1	0.13
11	4000000538	750W	Electric machine	1	5.52
12	23000100053	GB276	Bearing 61824RS	1	0.79
13	4000000539	QBA15-09007	Bearing retaining ring	1	0.05
14	22600700028	GB893.1	Hole stopper 158	1	0.06
15	23000100053	GB276	Deep groove ball bearing 61824RS	1	0.79
16	4000000540	QBA15-09008	1.5 modulus inner gear ring	1	1.5
17	4000000541	QBA15-09009	Driving wheel $\Phi 210 \times 75$	1	4
18	4000000542	QBA15-09010	Junction box	1	0.03

Table3-1

5. Frame system

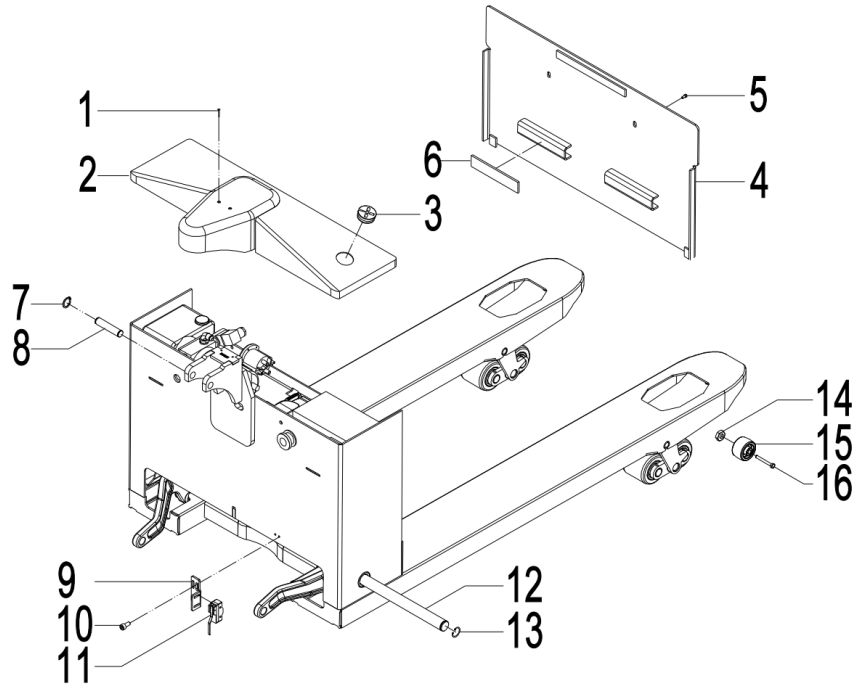


Figure4

No.	Code	Figure	Name	Qty	Remarks (weight)
1	22101700019	GB70.2	Screw M6x12	2	0.007
2	8B13400000016	QBA15-25200B	Housing Assembly 680	1	3.7
3	75000100013	QBA15-20001	Rubber plug	1	0.017
4	8B132007002	QBA15-25028B	Battery cap 680	1	3.7
5	22101700008	GB70.2	Screw M8×16	2	0.001
6	75000100011	QBA15-25031	Shock absorbing seal	2	0.016
7	22600900003	GB894.1	Retaining ring 16	2	0.001
8	72003000127	QBA15-20003	Pin shaft Φ16×74.5	1	0.015
9	7200200000891	QBA15-20005A	Travel switch seat	1	0.08
10	22101700028	GB70.2	Screw M5×8	2	0.004
11	11006000021	QBA15-1340003	microswitch	1	0.019
12	72003000070	QBA15-20007B	680 long axis Φ25×663	1	0.325
13	22600900004	GB894.1	Retaining ring 25	2	0.001
14	22403000004	GB889.1	Nut M6	2	0.001
15	71003000002	SBA-00001	Black guide wheel Φ50×36	2	0.08
16	22000300002	GB5782	Outer hexagon bolt M6x50	2	0.002

Table4-1

6. Rocker arm assembly

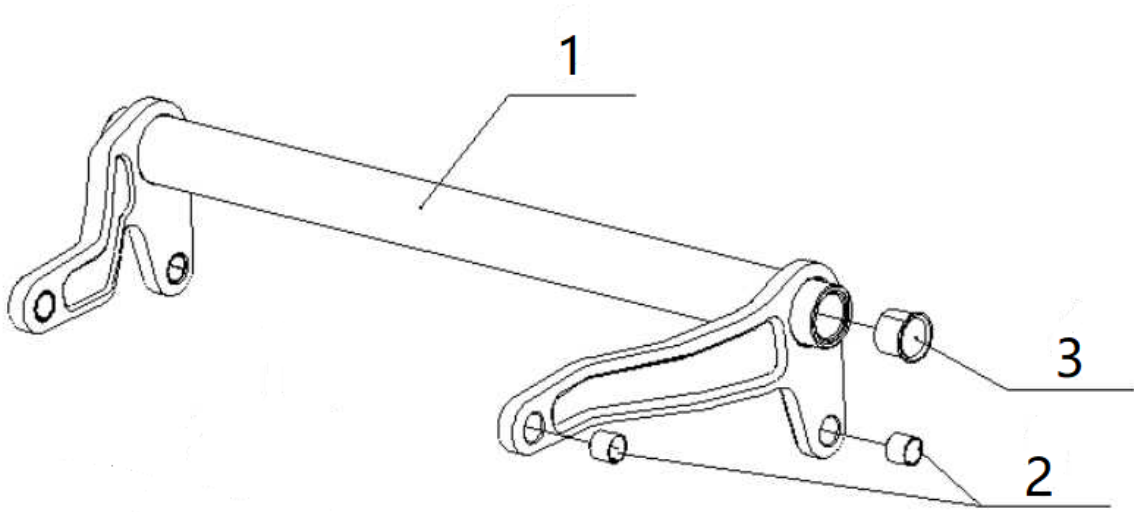


Figure 5

No.	Code	Figure	Name	Qty	Remarks (weight)
1	8B1340000006	QBA15-24000-680	Rocker arm assembly 680	1	4.51
	8B131003004	QBA15-24020	Rocker arm assembly 680	1	4.5
2	23100100009	SF-1-1615	Composite bushing $\Phi 18 \times \Phi 16 \times 15$	4	0.001
3	23100100032	SF-1-25215	Composite bushing $\Phi 28 \times \Phi 25 \times 21.5$	2	0.003

Table5-1

7. Connecting rod wheel frame assembly

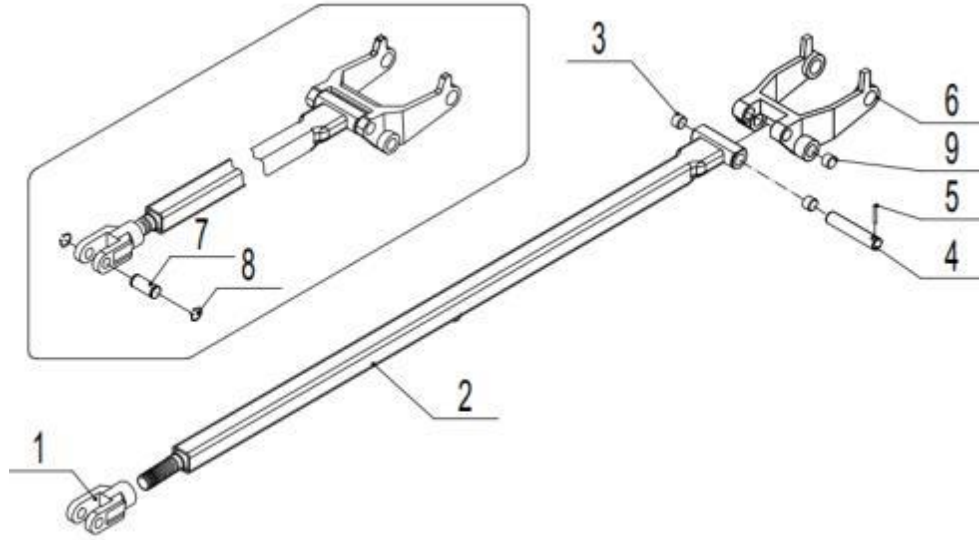


Figure 6

No.	Code	Figure	Name	Qty	Remarks (weight)
1	72006000005	SBA-00031	Connecting head	1	0.28
2	8B015004052	SBA-00032-1220	Connecting rod assembly 1150	1	2.6
3	23100100009	SF-1-1615	Composite bushing $\Phi 18 \times \Phi 16 \times 15$	2	0.007
4	72003000010	SBA-00033	Double-hole pin shaft $\Phi 16 \times 100$	1	0.031
5	22800700003	GB879.1	Elastic pin $\Phi 5 \times 32$	4	0.001
6	72006000006	SBA-00034A	Wheel holder	1	1.15
7	72003000005	SBA-00005	Double slot pin $\Phi 16 \times 50$	1	0.01
8	22600900003	GB894.1	Retaining ring 16	2	0.001
9	23100100036	SF-1-16170	Bushing $\Phi 18 \times \Phi 16 \times 17$	2	0.01

Table6-1

8. Single wheel assembly

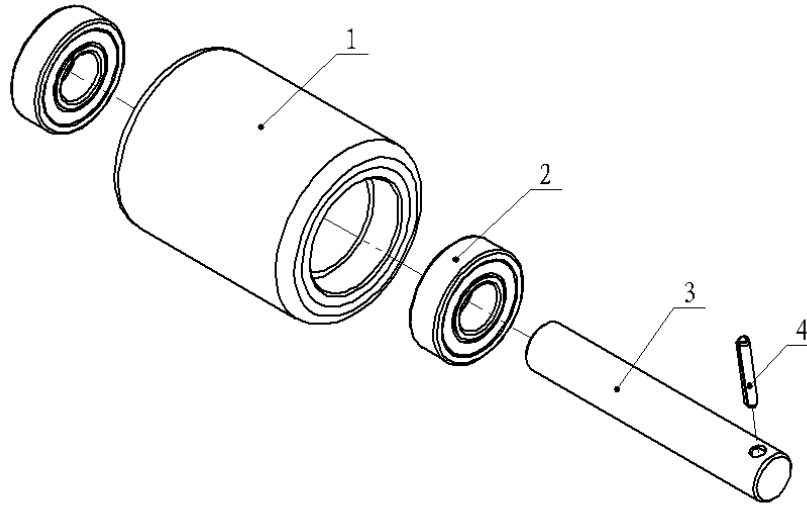


Figure 7

No.	Code	Figure	Name	Qty	Remarks (weight)
1	71003000111	QBA15-1500111C	Yellow PU wheel $\Phi 74 \times 93$	2	0.72
2	23000100001	GB276	Bearing 6204	4	0.12
3	72003000009	SBA-00021	Single-hole shaft $\Phi 20 \times 122$	2	0.23
4	22800700003	GB879.1	Elastic pin $\Phi 5 \times 32$	2	0.01
	71003000112	QBA15-1500110C	Yellow PU wheel $\Phi 74 \times 93$	2	0.96

Table7-1

9. Hydraulic system

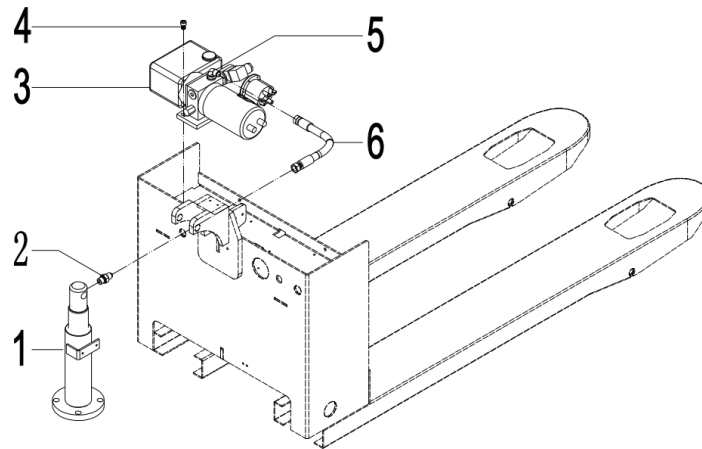


Figure8

No.	Code	Figure	Name	Qty	Remarks (weight)	Remark
1	73007000240	QBA15-1200400	2T cylinder assembly (low)	1	7.81	
2	73006000048	1QH-14-14	Tubing connector M14×1.5	1	0.05	
3	73002000001	QBA15-23300	Hydraulic power unit 0.8KW	1	4.6	
4	22101600035	GB70.1	Screw M8×25	2	0.002	
5	73006000025	QQA-05019	Right Angle joint M14×1.5	1	0.06	
6	73004000167	YG-10001-316	Tubing assembly L=316	1	0.23	680

Table8-1

10. Cylinder assembly

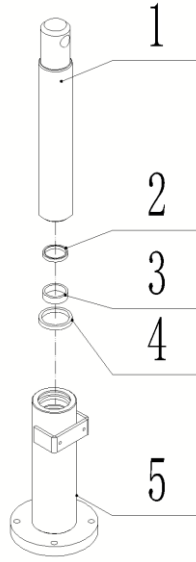


Figure 9

No.	Code	Figure	Name	Qty	Remarks (weight)
1	72003001192	QBA15-1200401	Piston rod 2T	1	3.63
2	21000300001	DHS45	Dust ring d45×D53×6.5×5	1	0.01
3	21000100001	GB3452.1	O-ring d45×3.55	1	0.01
4	21000400045	UHS45	Seal ring d45×D56×6	1	0.01
5	8B132009022	QBA15-1200310	Cylinder 2T	1	4.15

Table9-1

11. Electrical system

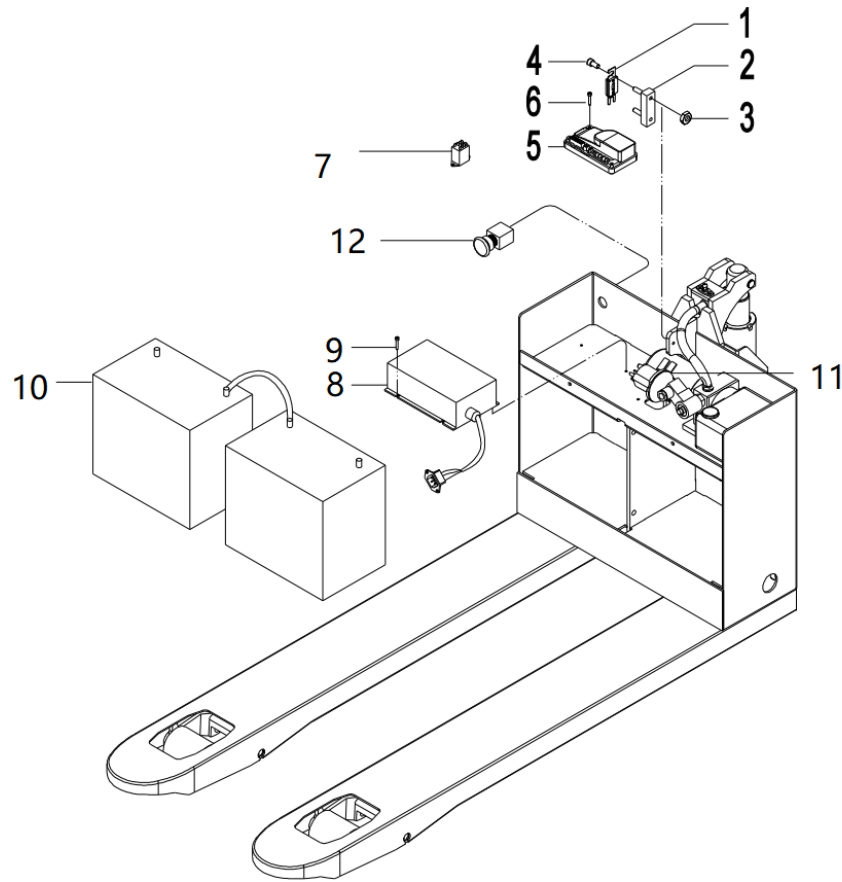


Figure 10

No.	Code	Figure	Name	Qty	Remarks (weight)	Remark
1	15000900011	QBA15-1350003	fuse 100A	1	0.013	
2	15000900012	QBA15-1350007	fuse holder	1	0.094	
3	22403000004	GB889.1	Hexagon lock nut M6	2	0.001	
4	22101600028	GB70.1	Screw M6x20	2	0.001	
5	11007000059	D4P-2151-W108	Controller D4P(100A)	1	0.33	
6	22101600014	GB70.1	Screw M4 x 25	4	0.001	
7	15000600002	QBQ-08052	relay	1	0.034	
8	11009100058	QDA10EL-1351000	Built-in charger	1	1	
9	22101600016	GB70.1	Screw M5x8	4	0.002	
10	11009000034	QDA15EM1380102	Maintenance-free battery	2	23	24V85Ah
11	12000000132	QBA15-1323000B	Harness assembly	1	0.46	
12	11006000023	QBA15-1340002	Scram button	1	0.07	

Table10-1

Cylinder repair kit					
No.	Code	Figure	Name	Qty	Remarks
1	21000300001	DHS45	Dust ring d45×D53×6.5×5	1	Table10-1/2
2	21000100001	GB3452.1	O-ring d45×3.55	1	Table10-1/3
3	21000400045	UHS45	Seal ring d45×D56×6	1	Table10-1/4

Table11-1

List of wearing parts					
No.	Code	Figure	Name	Qty	Remarks
1	2310050000001	SF-1-16170	Flanged composite bushing	2	Table1-1/4
2	72009010009	QBA15-1601001	Gas spring	1	Table1-1/12
3	11006000030	QBA15-1340006	SW1 Handle interlock switch	1	Table1-1/14
4	2300010000050	GB276	Bearing 6010	1	Table2-1/6
5	2300050000011	GB297	Bearing 32012	1	Table2-1/7
6	1100800000001	QBA15-02001A	Drive assembly	1	Table3-1/18
7	11006000021	QBA15-1340003	microswitch	1	Table4-1/11
8	23100100032	SF-1-25215	Bushing $\Phi 28 * \Phi 25 * 21.5$	2	Table5-1/3
9	23100100009	SF-1-1615	Bushing $\Phi 18 \times \Phi 16 \times 15$	4	Table5-1/4
10	23100100009	SF-1-1615	Bushing $\Phi 18 \times \Phi 16 \times 15$	4	Table6-1/6
	71003000111	QBA15-1500111C	Yellow PU wheel $\Phi 74 \times 93$	2	Table7-1/3
11	11006000023	QBA15-1340002	Scram button	1	Table10-1/13
12	15000900011	QBA15-1350003	fuse 100A	1	Table10-1/1
13	15000600002	QBQ-08052	Relay	1	Table10-1/8

Table12-1