



**Parts Manual**  
**Lithium Counterbalance**  
**EK14C-130/130LI**  
**EK14CS-130LI/189LI**



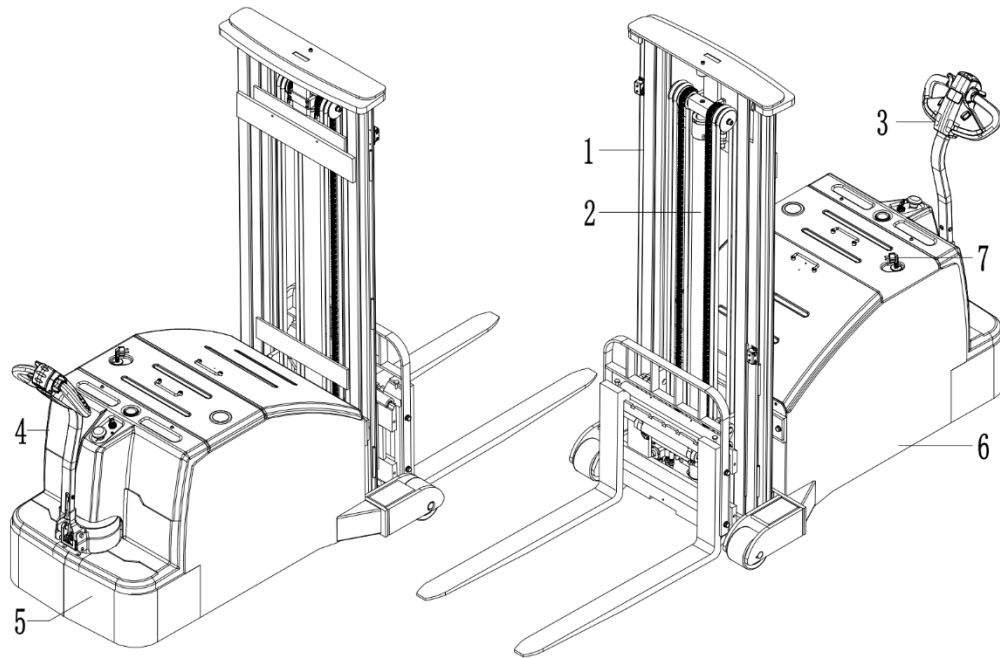
## **Instructions for use**

Please read this manual carefully and operate the vehicle safety.

- Do not operate this vehicle without training.
- Please comply with ISO3691 “Safety Specification for Motor Vehicles Industry”.
- Please do not modify or change the repair parameters, including adjusting the pressure. Any loss or damage to the vehicle resulting from such actions will be your responsibility, and doing so will void our warranty commitment.

### **SPECIAL WARNING:**

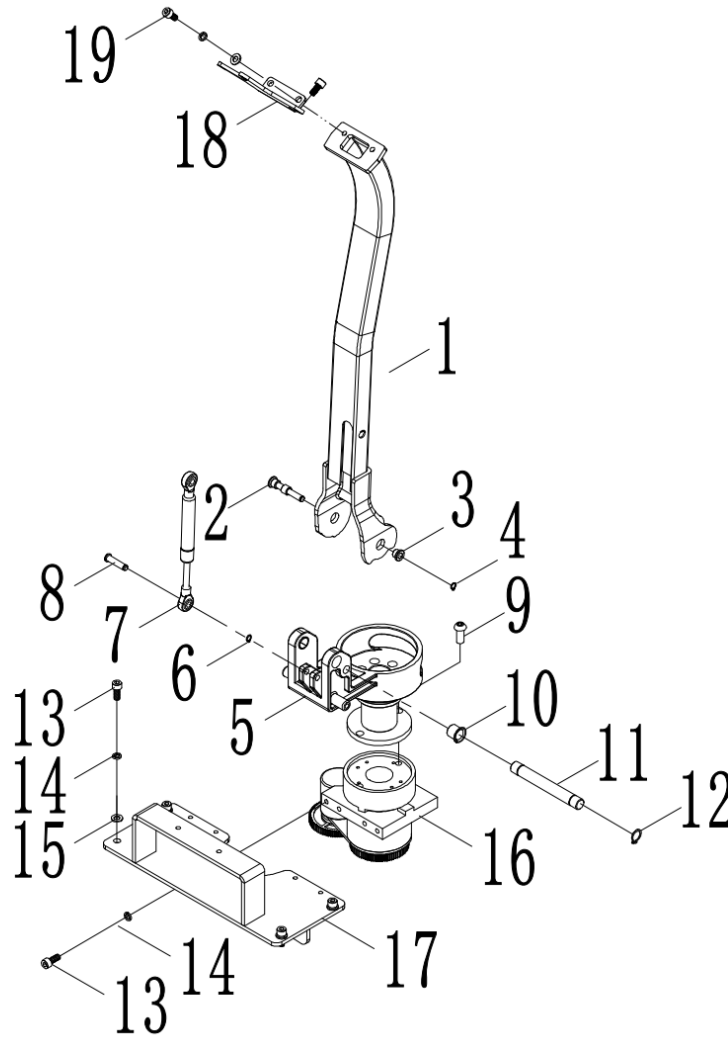
The company is committed to innovation and sustainable development. As part of this commitment, we continually improve the technology of our products. Therefore, we reserve the right to make changes and improvements to any product described in this specification without prior notice.



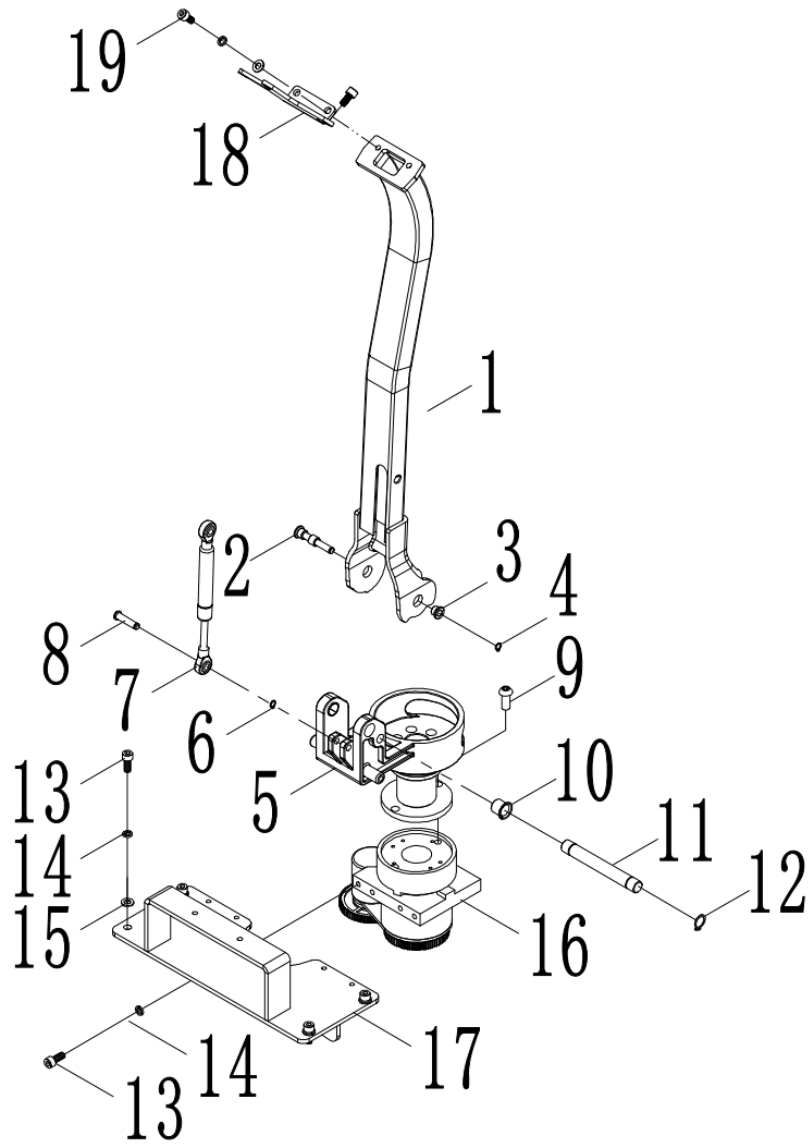
No.	Name	No.	Name
1	Gantry system	5	Drive system
2	Hydraulic system	6	Body system
3	Steering system	7	Electrical system
4	Overlay system		

Note: The assembly and structure content expressed in the parts catalog may not fully appear on your vehicle, but you can search the parts information of your selected vehicle in the parts catalog.

## Steering System

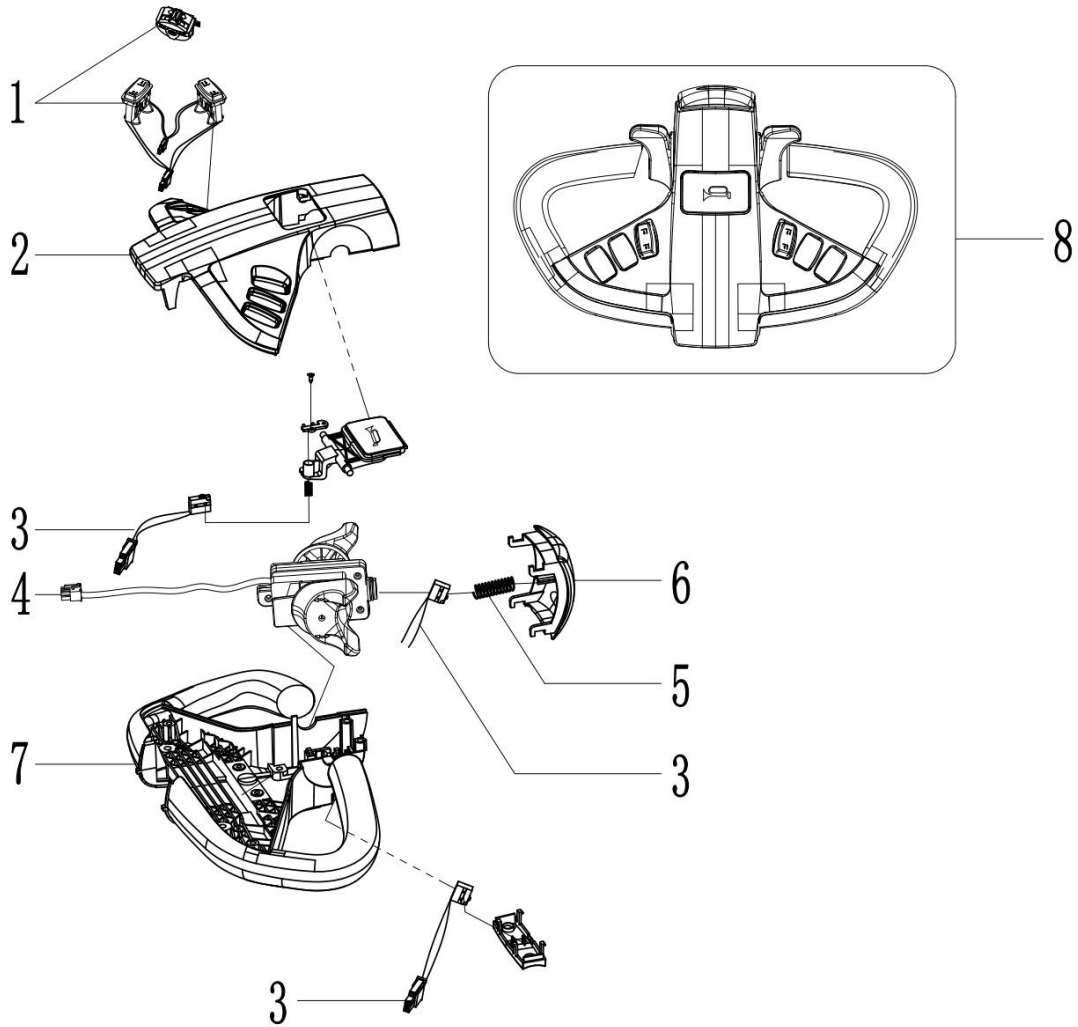


Index	Part No.	Drawing Number	Part Name	QTY
1		QPA13020300110	Handle rod	1
2	72003001206	QDA1502E0320002	pin	1
3	72003001207	QDA1502E0320003	Shaft sleeve	1
4	22601100002	GB896	Open stop ring 6	1
5	8D102006029	QPA13020300300	The steering joint	1
6	22600900011	GB894.1	Retaining ring 8	1
7	72009040039	QDA1502E0320001	Gas spring	1
8	72003000301	SP150-03002	Pin shaft 8 x 35	1
9	22101700031	GB70.2	Hexagonal cylindrical head screw M10×25	2
10	2310050000001	SF-1-16170	Flanged composite bushing	2
11	72003000116	QDA12E-10004	Handle pin	1
12	22600900003	GB894.1	Retaining ring 16	2



Index	Part No.	Drawing Number	Part Name	QTY	Remark
13	22101600034	GB70.1	Hexagonal cylindrical head screw M8×20	8	
14	22501200004	GB93	Spring washer 8	13	
15	22500100006	GB97.1	Flat washer 8	4	
16	8D081000015	QDA-01030	Electronic steering assembly	1	
17	8D102006028	QPA13020300200	Steering seat	1	
18	8D085001001	QDA-01019A	Handle retaining plate	1	
19	22101600032	GB70.1	Hexagonal cylindrical head screw M8×12	5	

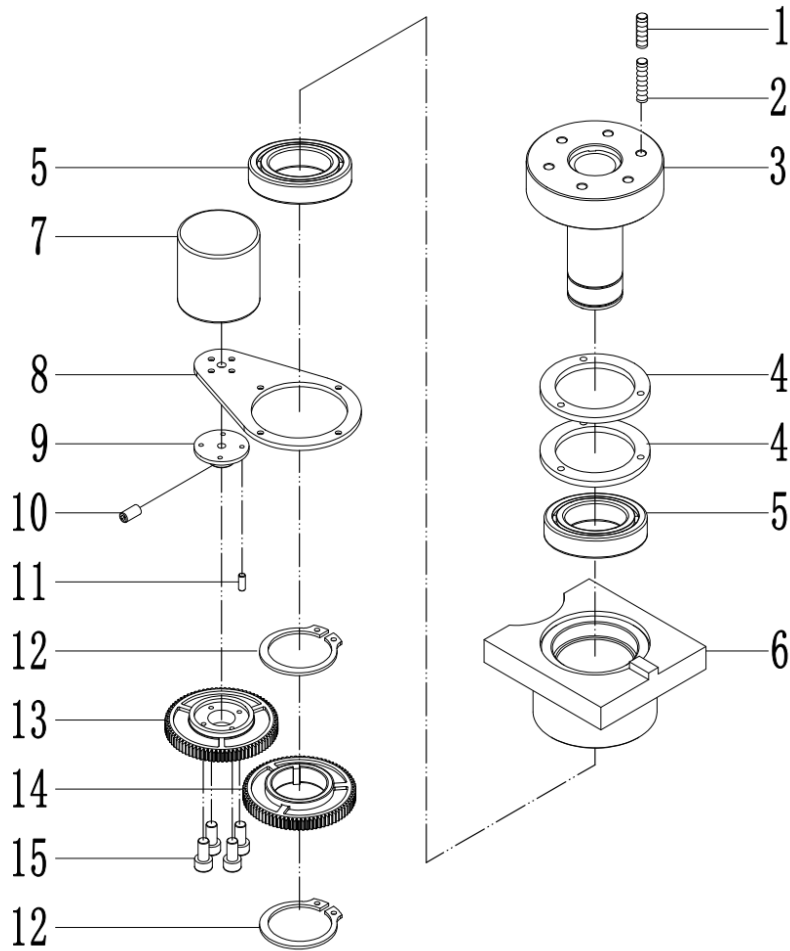
## Steering system - Handle accelerator



Index	Part No.	Drawing Number	Part Name	QTY	Remark
1	11006000073	0502000063	Lift button	2	Lift
	11006000074	0502000063	Tilt button	2	tilt
	11006000084	0502000063	Side shift button	2	sidesway
2	40000000506	0502000032	Upper cover	1	
3	11006000062	1303000094	microswitch	3	
4	1100300000010		Accelerator assembly	1	
5	40000000507	1510000663	Compression spring	2	
6	11006000076	0502000031	Belly switch	1	
7	40000000508	0502000033	Lower cover	1	
8	11003000012	T6067	Handle (two sets of switches)	1	Lift + tilt
	11003000005	T6067	Handle (three sets of switches)	1	Lift + tilt + side shift

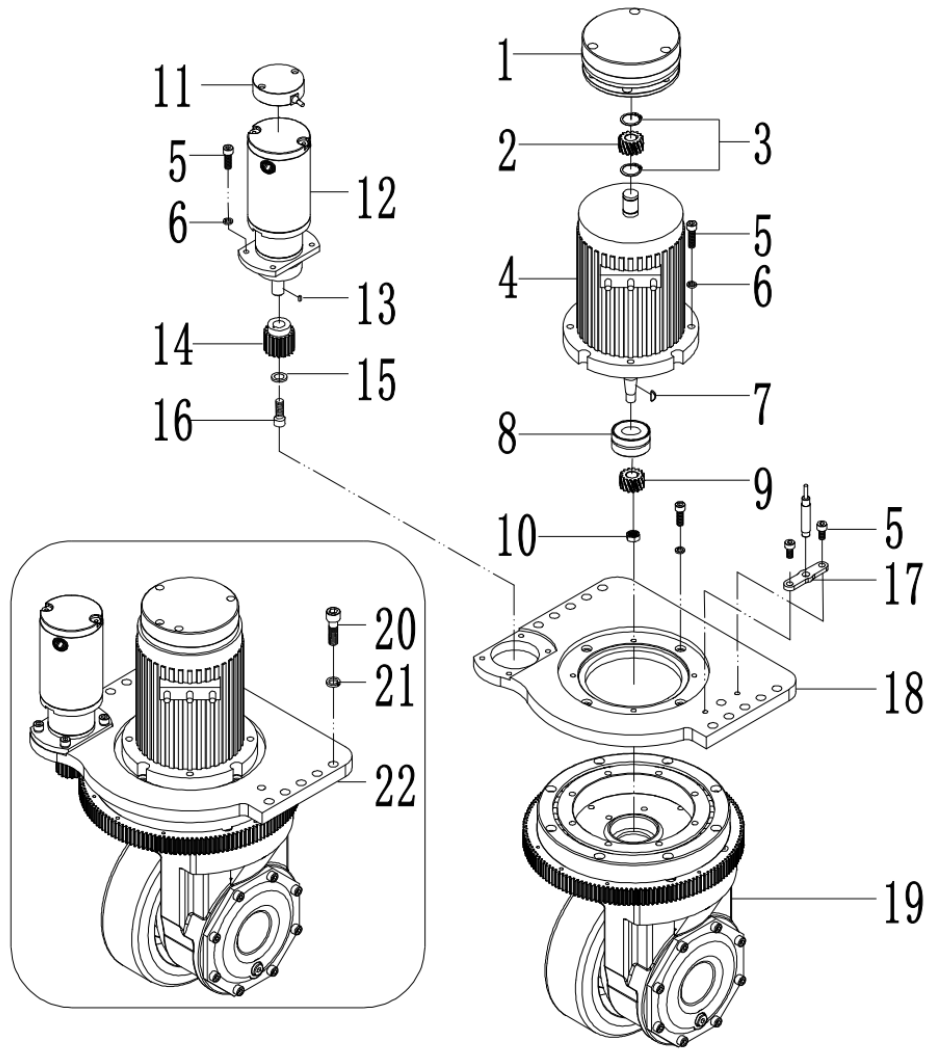


## Steering system - Electronic steering assembly

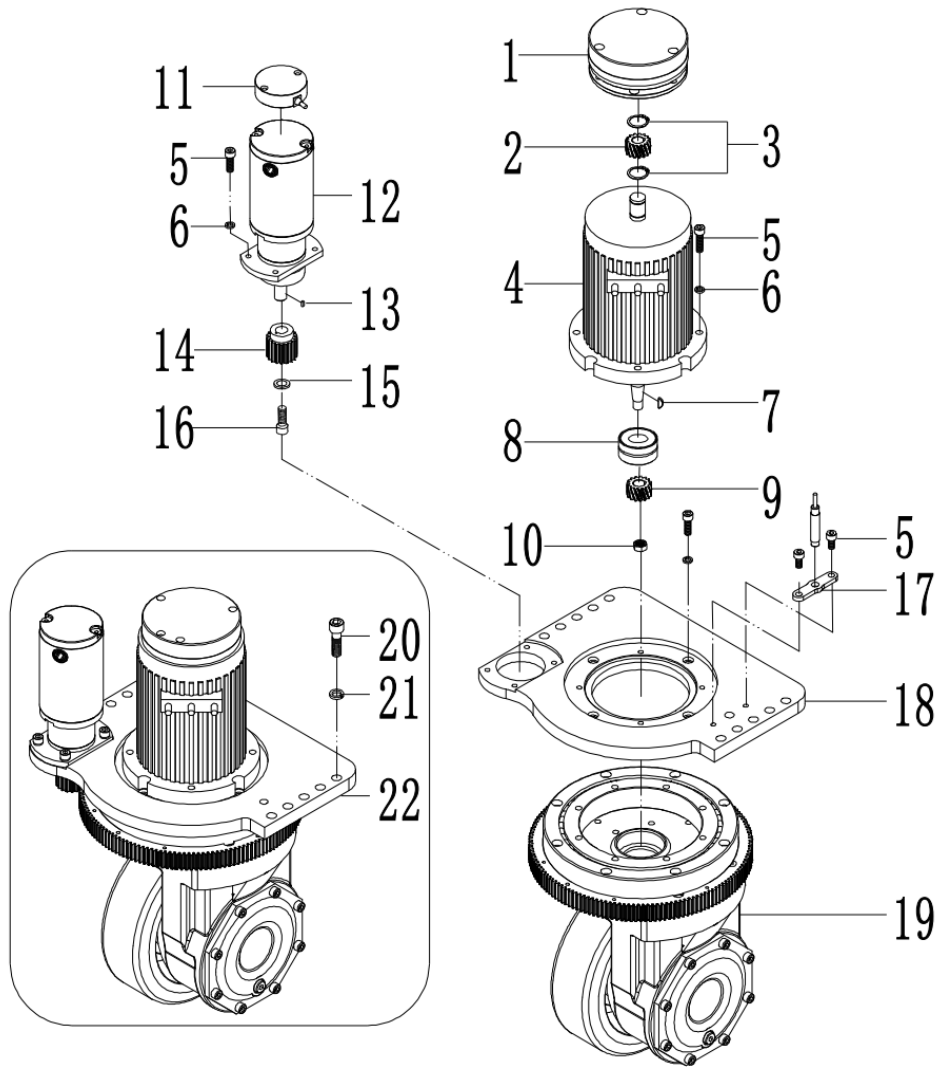


Index	Part No.	Drawing Number	Part Name	QTY	Remark
1	22102600004	GB77	Screw M8×8	6	
2	72009040023	QDA-01048	Brake pads press spring	6	
3	8D082009001	QDA-01040	Steering shaft welded assembly	1	
4	71001200012	QDA-01034	Steering brake pads	2	
5	23000100004	GB276	Bearing 61908-Z	2	
6	8D082009002	QDA-01045	Steering seat assembly	1	
7	11002000010	QBA25H-1350005	Angle sensor	1	
8	72001000165	QDA-01037	Steering gear retaining plate	1	
9	72003000073	QDA-01038	Steering gear fixed shaft	1	
10	22102600001	GB77	Screw M5×6	1	
11	22101800001	GB70.3	Screw M4x12	4	
12	22600900005	GB894.1	Retaining ring 40	2	

## Drive system



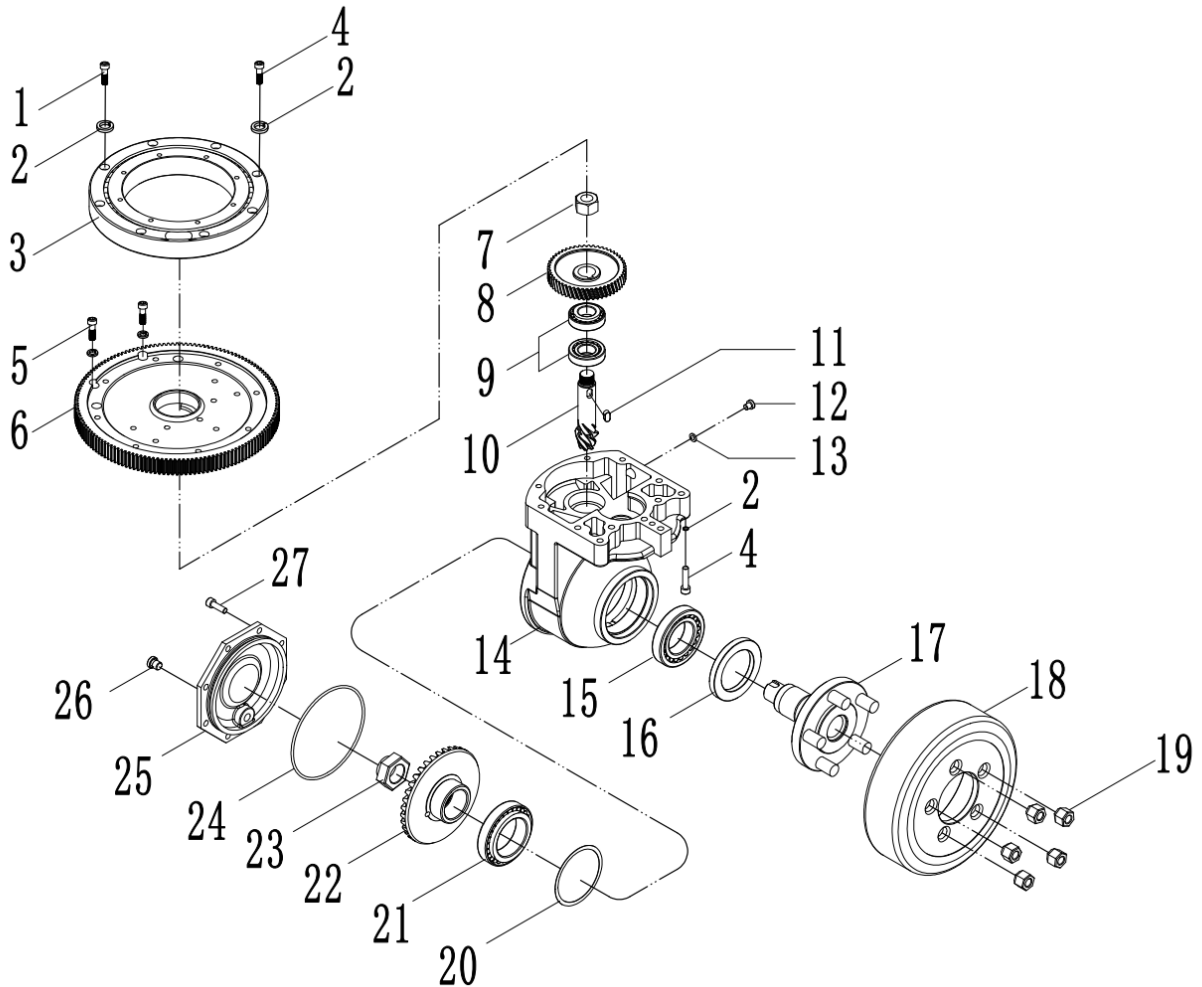
Index	Part No.	Drawing Number	Part Name	QTY	Remark
1	71001200004	BOA-02010	Electromagnetic brake	1	
2	71005000013	BOA-02011	Brake gear	1	
3	22600900002	GB894.1	Retaining ring 20	2	
4	11008000008	QBA-02014C	Motor 1.5KW	1	
5	22101600036	GB70.1	Screw M8×30	4	
6	22501200004	GB93	Spring Cushion 8	12	
7	22900400001	GB1096.1	Semicircular key 4 x 6.5 x 16	1	
8	8B171005001	QBA25H-20010	Motor support base assembly	1	
9	71005000007	QBA-02036	Motor bevel gear	1	
10	22403300001	GB6183.1	Nut M12	1	
11	11002000005		Tachometer sensor	1	
12	11008000023	QDJV4-1351000	Steering motor Z90DP24165-36S	1	



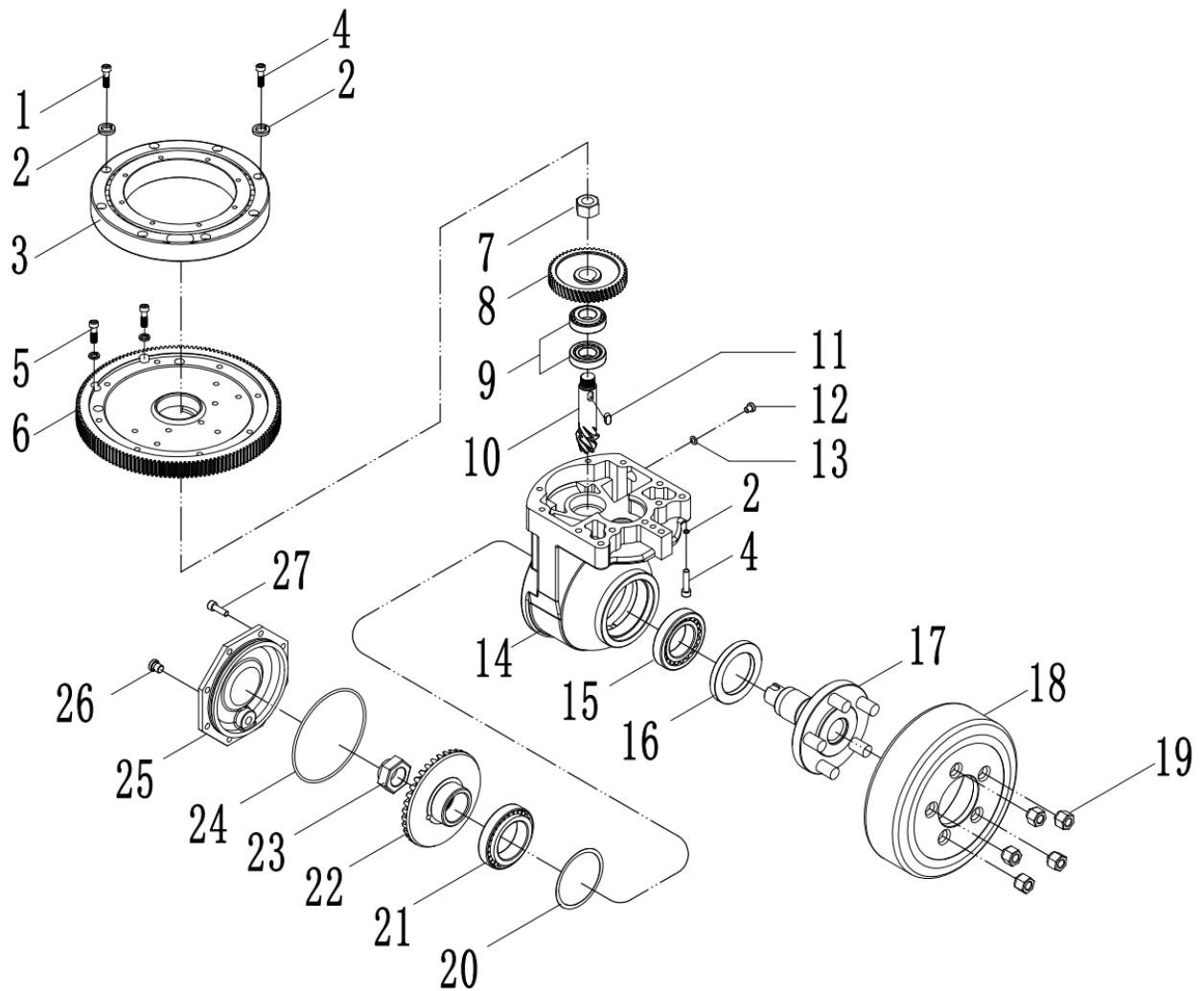
Index	Part No.	Drawing Number	Part Name	QTY	Remark
13	22900100005	GB1096	Key 5 x 30	1	
14	71005000012	BOA-01206	Steering pinion	1	
15	22500500003	GB96.1	Large washer 6	1	
16	22101600025	GB70.1	Screw M6x12	1	
17	22101600033	GB70.1	Screw M8×16	2	
18	7200100001896	QQA-010161A	Drive wheel mounting plate	1	
19	71001300003	QBA25H-21000	Gear box assembly	1	
20	22101600065	GB70.1	Screw M12×40	4	
21	22501200006	GB93	Spring Pad 12	6	
22	8Q011001004	QQA-01060	Drive assembly	1	



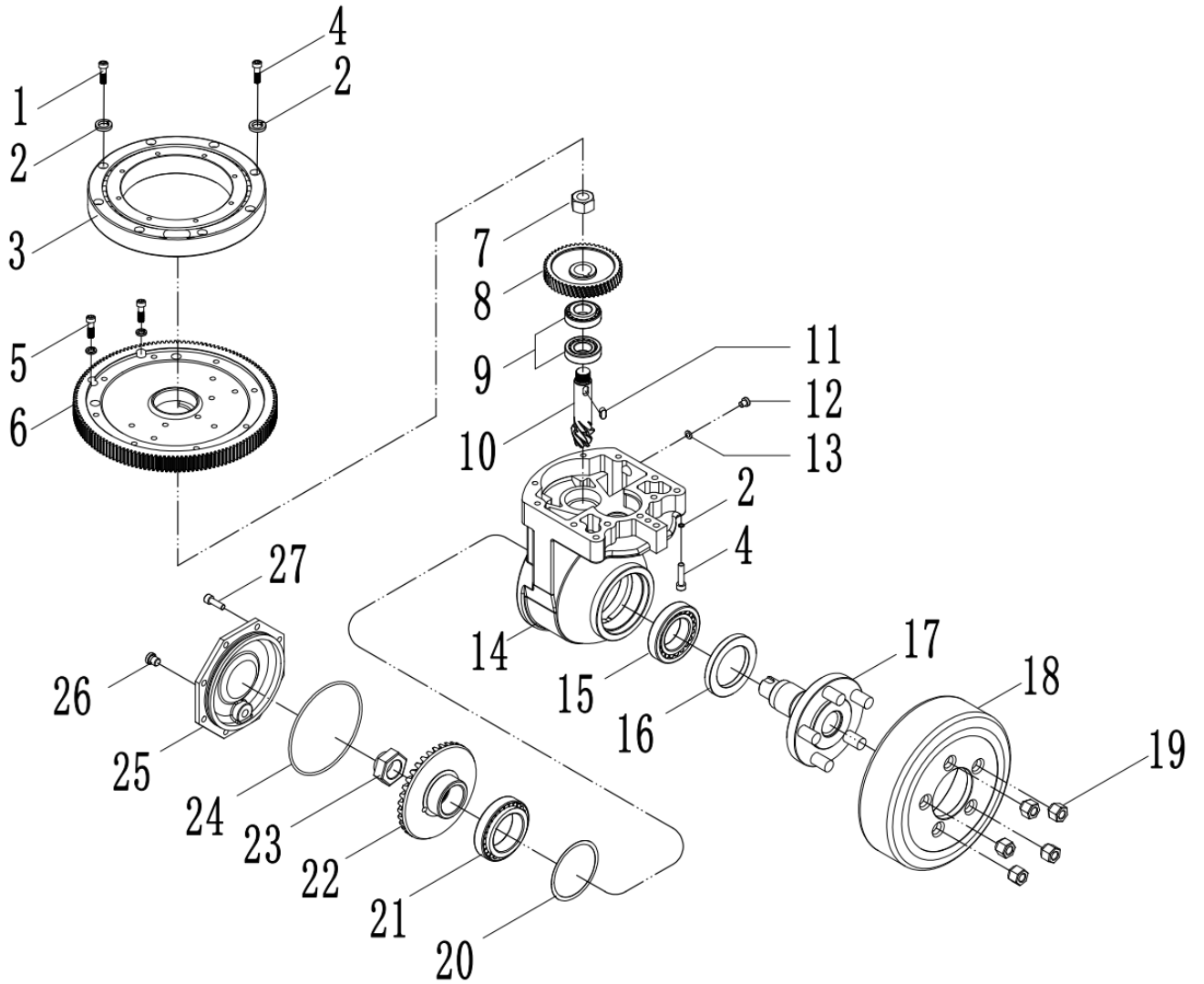
## Drive system - Gearbox assembly



Index	Part No.	Drawing Number	Part Name	QTY
1	22101600036	GB70.1	Screw M8×30	2
2	22501200004	GB 93	Spring Cushion 8	19
3	23009900002	QBA-02025	Turntable bearing	1
4	22101600038	GB70.1	Screw M8×40	13
5	22101600035	GB70.1	Screw M8×25	4
6	71005000008	QBA-02209	Case cover big gear	1
7	22400600004	GB6176	Nut M20 x 1.5	1
8	71005000006	QBA-02205	Housing helical gear	1
9	23000500003	GB297	Bearing 30205	2
10	71005000005	QBA-02210	Spiral bevel gear (small)	1
11	22900100002	GB1096	Flat key 8 x 7 x 14	1
12	72007000018	QBA-02220	Oil discharge plug M16	1

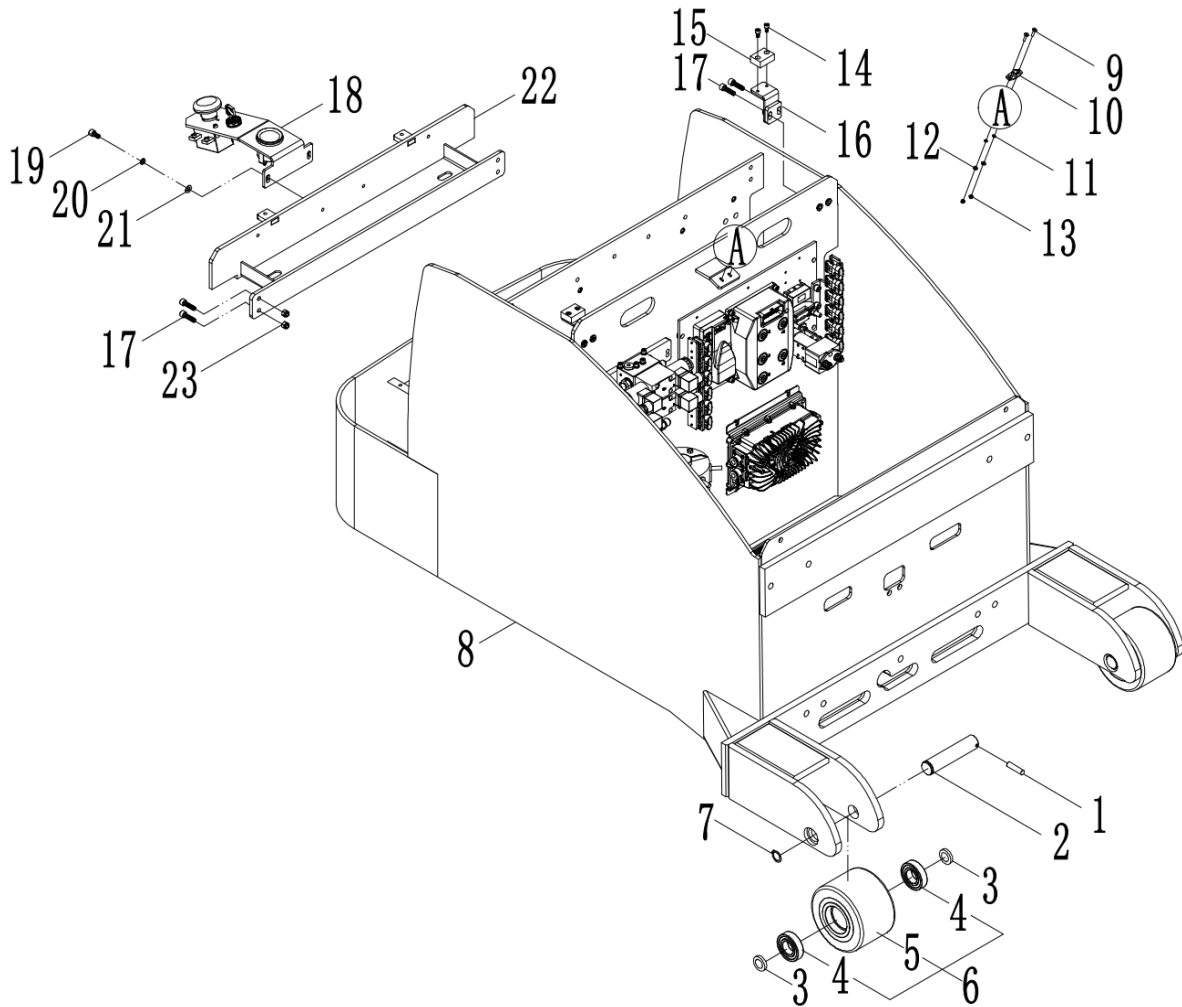


Index	Part No.	Drawing Number	Part Name	QTY	Remark
13	21001100003	JB982	Combined washer 16	1	
14	72006000055	QBA-02206	Gearbox housing	1	
15	23000500004	GB297	Bearing 30210	1	
16	21000500001	T-MF-035	UKS skeleton oil seal 65×95×10	1	
17	71005000004	QBA-02218	Big wheel spline shaft	1	
18	71003000041	QBA-02031	Driving wheel	1	
19	72008000003	QBA-02032	Big wheel lock nut	5	
20	72001000381	QBA-02044	gasket	1	
21	23000500002	GB297	Tapered roller bearing 32012×2	1	
22	71005000005	QBA-02211	Spiral bevel gear (large)	1	
23	72008000002	QBA-02219	nut	1	
24	21000100004	GB3452.1	O-ring d140×3.55	1	

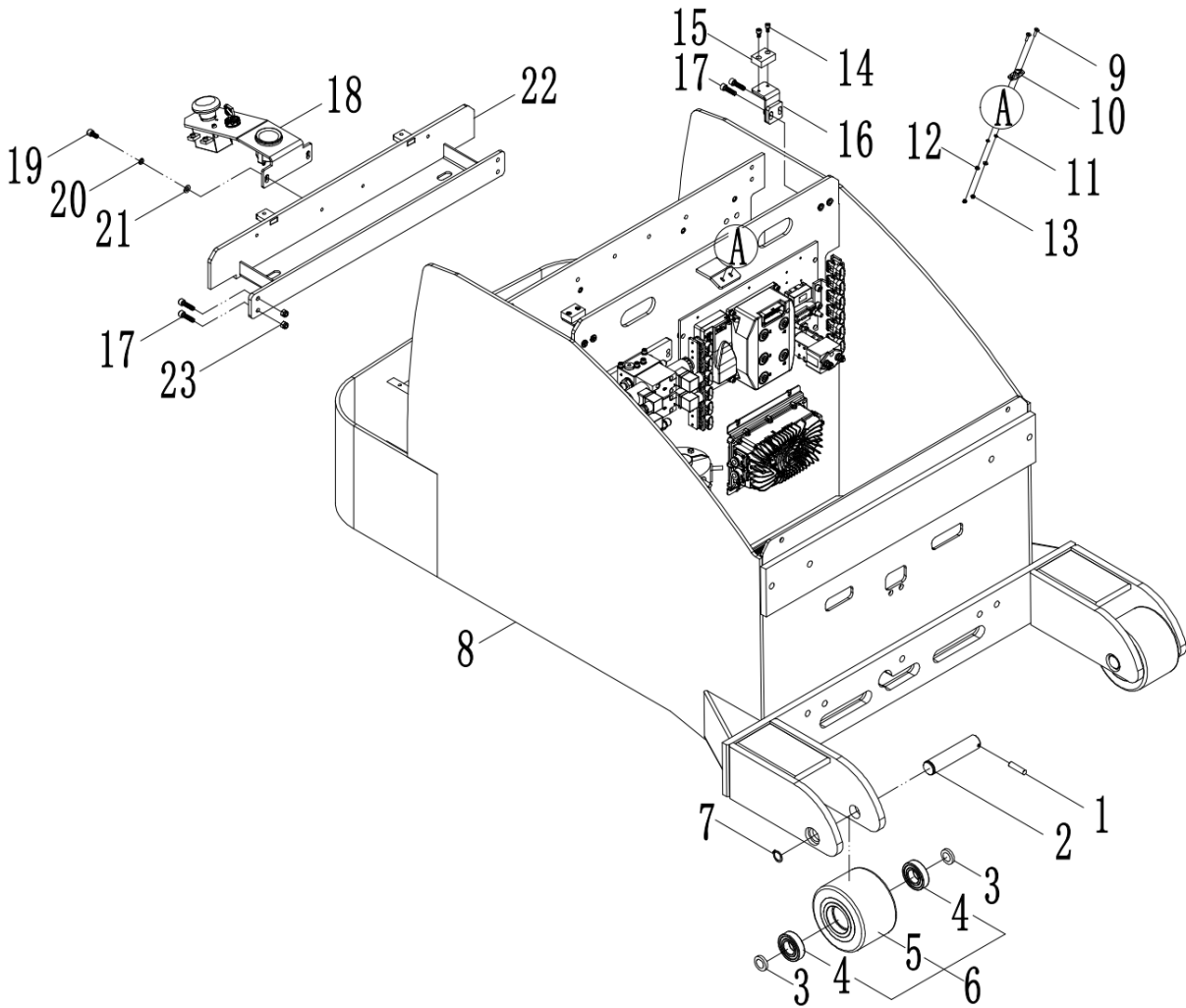


Index	Part No.	Drawing Number	Part Name	QTY	Remark
25	72006000056	QBA-02037	Gearbox side cover	1	
26	72007000017	QBA-02009	Oil discharge plug M12 (with combination pad)	1	
27	22101600034	GB70.1	Screw M8×20	8	

## Body system

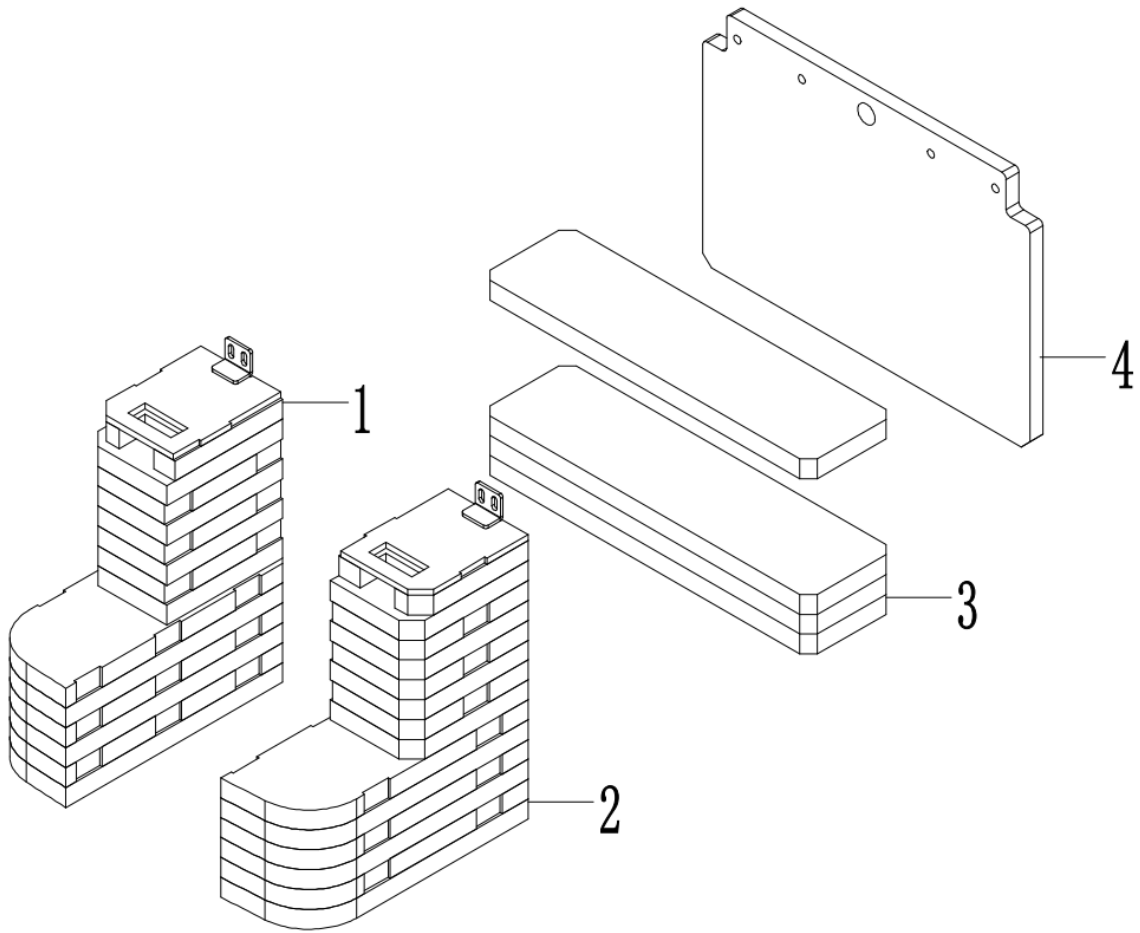


Index	Part No.	Drawing Number	Part Name	QTY	Remark
1	22800700003	GB879.1	Elastic cylindrical pin 5 x 32	2	
2	72003000368	BOA-07002	Front axle	2	
3	72001000296	BOA-07003	gasket	4	
4	2300010000048	GB276	Bearing 6206	2	
5	71003000068	BOA-07001	Front wheel	1	
6	8D111015001	BOA-07010	Fork wheel assembly	2	
7	22600900008	GB894.1	Retaining ring 3	2	
8	8D102006032	QPA13020402100	Frame	1	Double stage + tilt
	8D102006036	QPA13020406100	Frame	1	Triple stage + tilt + side shift
9	22101800020	GB70.3	Screw M4x20	2	
10	79000100002	943113	Top cover buttonhead	1	
11	22501200001	GB93	Spring Cushion 4	2	



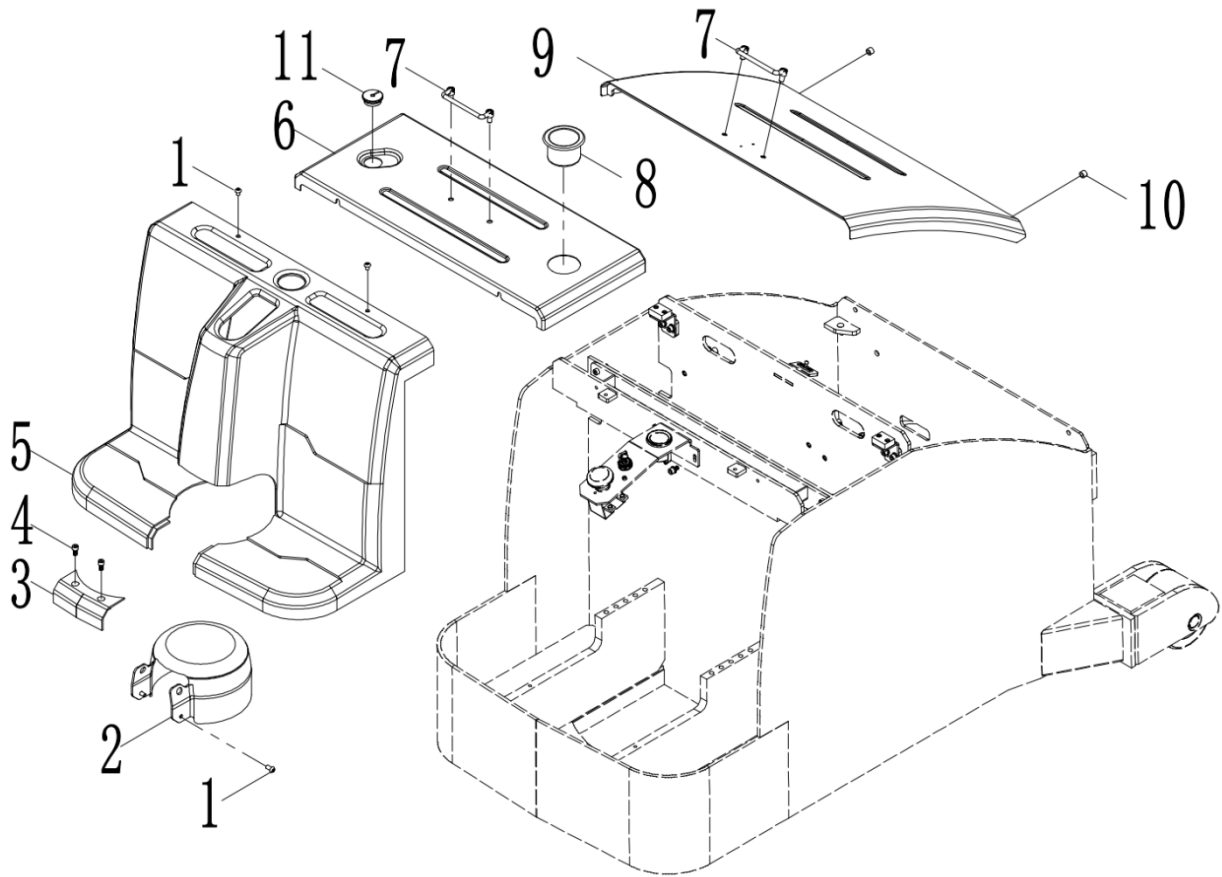
Index	Part No.	Drawing Number	Part Name	QTY
12	22500100002	GB97.1	Flat Washer 4	2
13	22400300009	GB6170	Nut M4	2
14	22101600025	GB70.1	Hexagonal cylindrical head screw M6x12	4
15	75000100038	QDJ-02003	Rubber pad	2
16	8D102006038	QPA13020400020	Mounting base	2
17	22101600036	GB70.1	Hexagonal cylindrical head screw M8×30	8
18	8D10400010002	QPA13021300100	Instrument panel assembly	1
19	22101600033	GB70.1	Hexagonal cylindrical head screw M8×16	2
20	22501200004	GB93	Spring Cushion 8	4
21	22500100006	GB97.1	Flat Washer 8	4
22	8D102006037	QPA13020400010	Rear cover bracket	1
23	22403000006	GB889.1	Hexagon lock nut M8	4

## Counterweight system



Index	Part No.	Drawing Number	Part Name	QTY	Remark
1	8D102006039	QPA13020800110	Left balance weight	1	
2	8D102006040	QPA13020800120	Right counterweight	1	
3	72001007031	QPA13020800130	Battery bottom weight	4	
4	72001007164	QPA13020800140	Lithium battery counterweight	1	

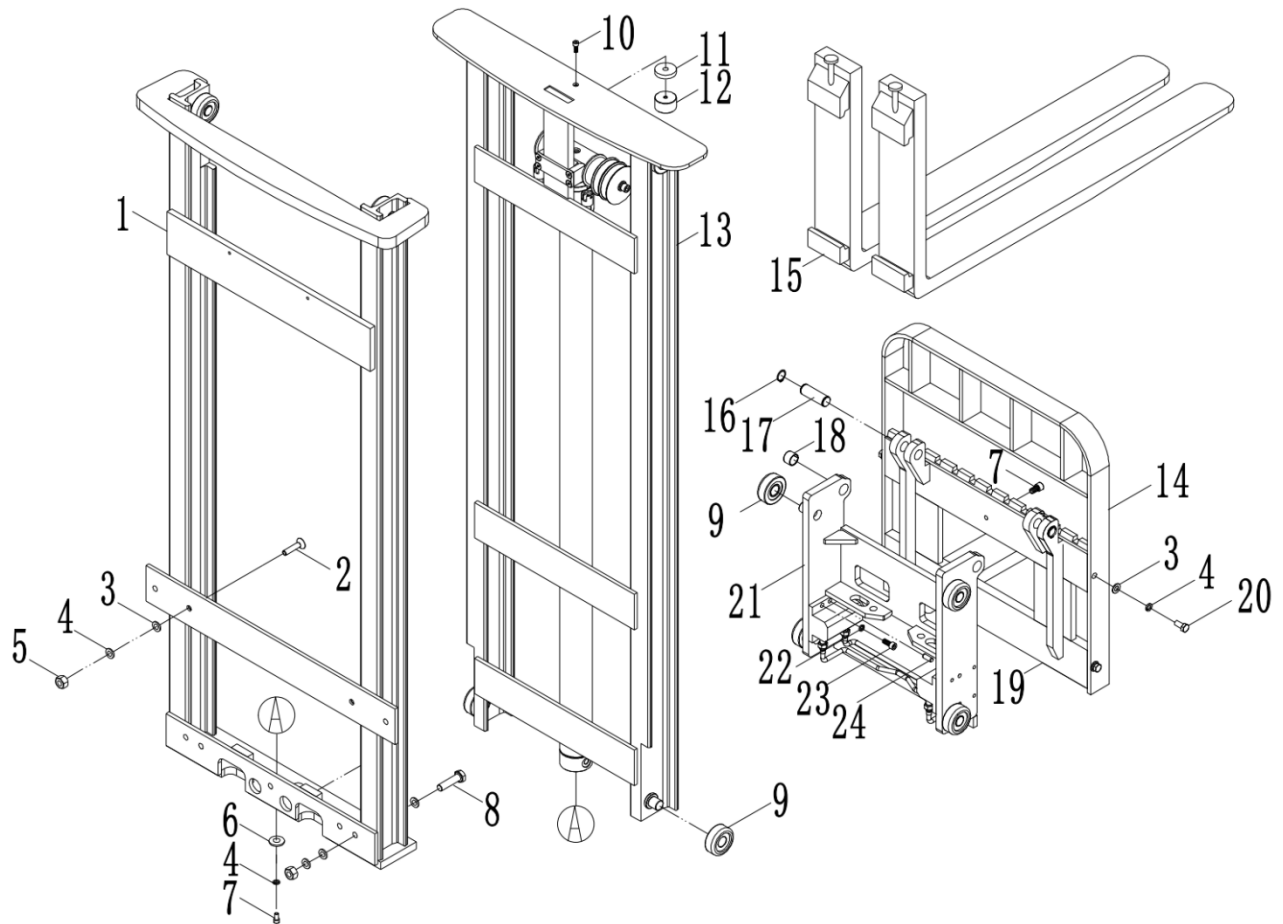
## Overlay system



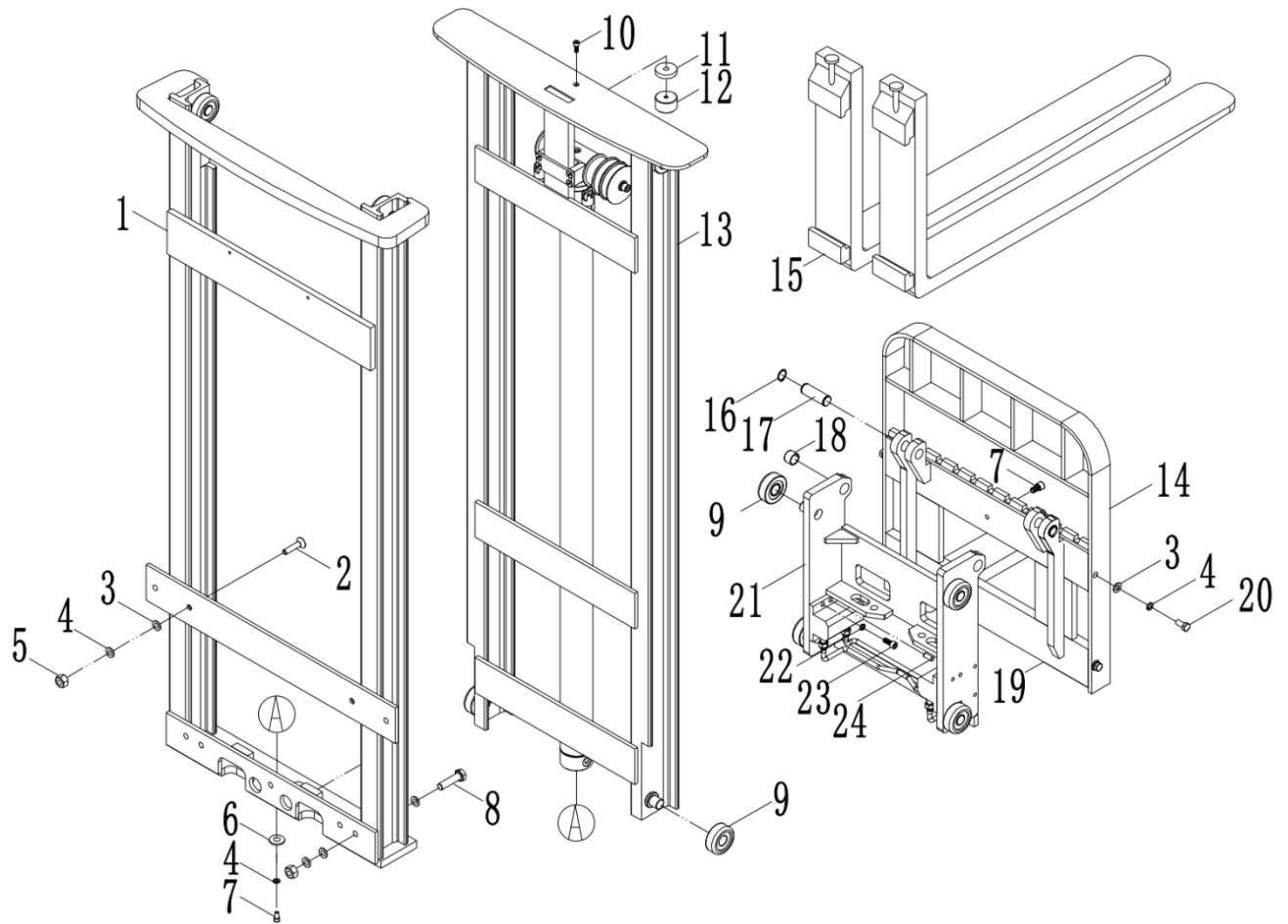
Index	Part No.	Drawing Number	Part Name	QTY	Remark
1	22101700008	GB70.2	Hexagonal semi-round head screw M8×16	4	
2	75000400060	QBA25J0900050	Round casing	1	
3	75000400139	QBA25J0900020A	Rear bottom housing	1	
4	22101600033	GB70.1	Hexagonal cylindrical head screw M8×16	2	
5	75000100135	QPA13020900300	Rear housing	1	
6	75000100136	QPA13020900110	Battery cap	1	
7	71000900002	QDJ-00009	Handle assembly	2	
8	75000100149	QPA13020900120	Cup holder	1	
9	75000100137	QPA13020900201	Shock pad	2	
10	8D102006043	QPA13020900210	Front cover welded	1	



## Gantry System - Double stage gantry

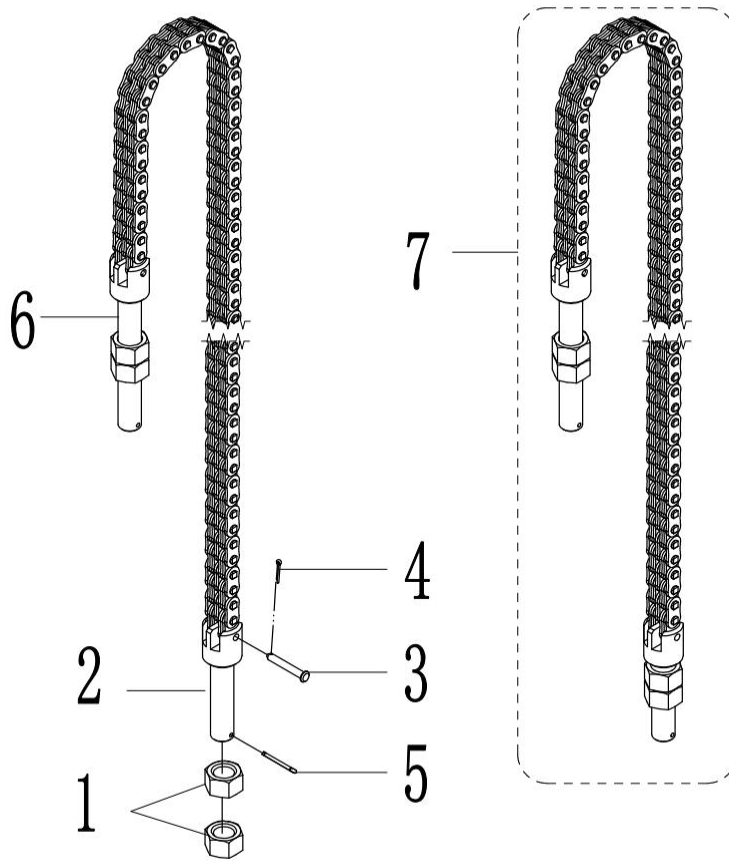


Index	Part No.	Drawing Number	Part Name	QTY	Remark
1	8D102006045	QPA13028233100	Outer gantry	1	3.3m
2	22101800038	GB70.3	Hexagonal countersunk head screw M12×55	2	
3	22500100008	GB97.1	Flat washer 12	16	
4	22501200006	GB93	Spring pad 12	12	
5	22400300006	GB6170	Hexagon nut M12	7	
6	22500500002	GB96.1	Large washer 12	1	
7	22101600059	GB70.1	Hexagonal cylindrical head screw M12×20	2	
8	22000400021	GB5783	Hexagon head bolt M12×55	5	
9	71004000008	QDA-05017-78	roller	8	
10	22101600034	GB70.1	Hexagonal cylindrical head screw M8×20	1	
11	75000100026	BOA-05903	Rubber pad	1	
12	72003000125	BOA-05904	gasket	1	



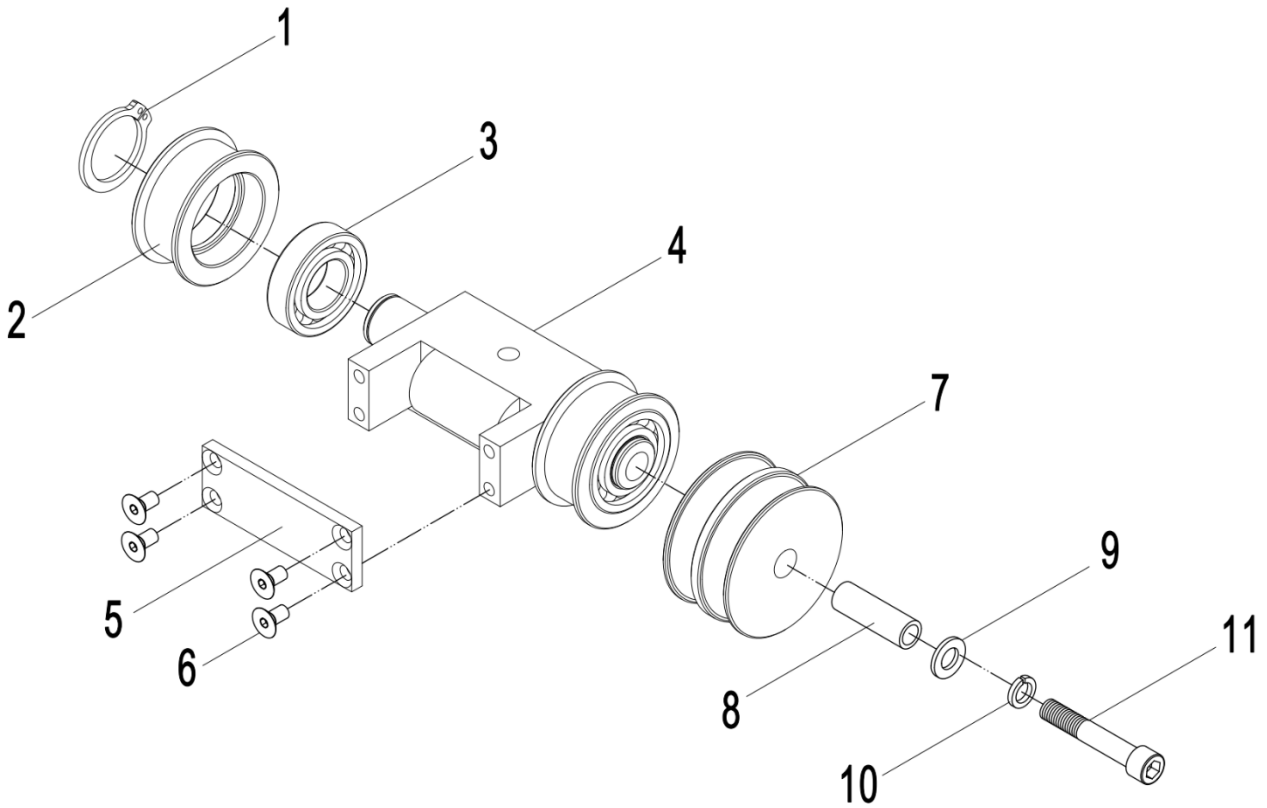
Index	Part No.	Drawing Number	Part Name	QTY	Remark
13	8D102006048	QPA13028233200	Internal gantry	1	3.3m
14	8D102006047	QPA13028280010	Stop shelf 660	1	
15	72002000613	P15S8901070	Fork assembly 35×100×1070	2	
16	22600900004	GB894	Retaining ring 25	4	
17	72003000126	QQA-04025	Slide frame pin	2	
18	23100100018	SF-1-2520	Bearing 252025×28×20	2	
19	8D112016001	BOA-05730A	Cargo fork rack 660	1	
20	22000400004	GB5783	Hexagon head bolt M12×25	4	
21	8D112015003	BOA-05610	Slide frame welding (double stage + tilt)	1	
22	22501200005	GB93	Spring washer 10	8	
23	22101600045	GB70.1	Hexagonal cylindrical head screw M10×25	8	
24	22800100002	GB119.1	Cylindrical pin 10 x 25	4	

## Gantry System - gantry chain



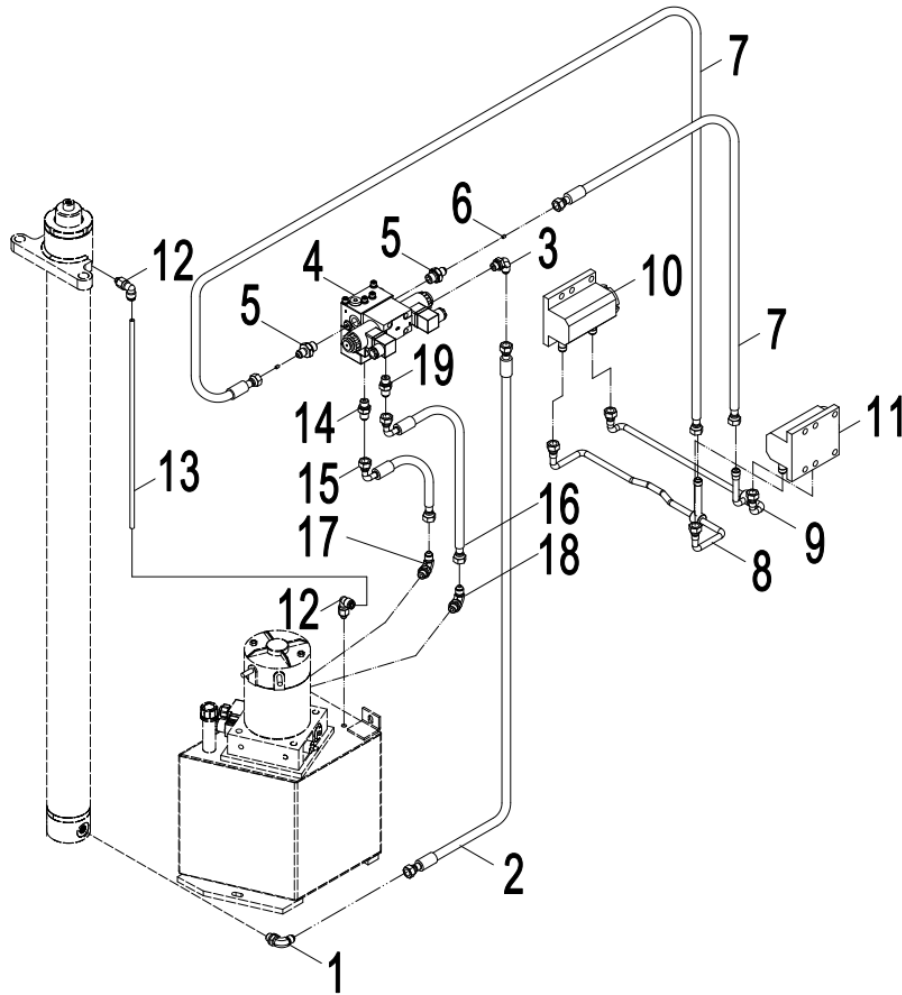
Index	Part No.	Drawing Number	Part Name	QTY	Remark
1	22400600003	GB6176	Hexagon nut M16 x 1.5	4	
2	72007000012	BDA-03039	Chain pull head	1	
3	22801700002	GB882	Pin type B B5×35	2	
4	22801600007	GB91	Cotter pin 2×12	2	
5	22801600003	GB91	Cotter pin 2.5×25	2	
6	72007000012	BDA-03039	Chain pull head	1	
7	23200300030	GB6074	LH0846 Plate chain 145 knots	2	3.3 米

## Gantry System - Sprocket Assembly (tilt)



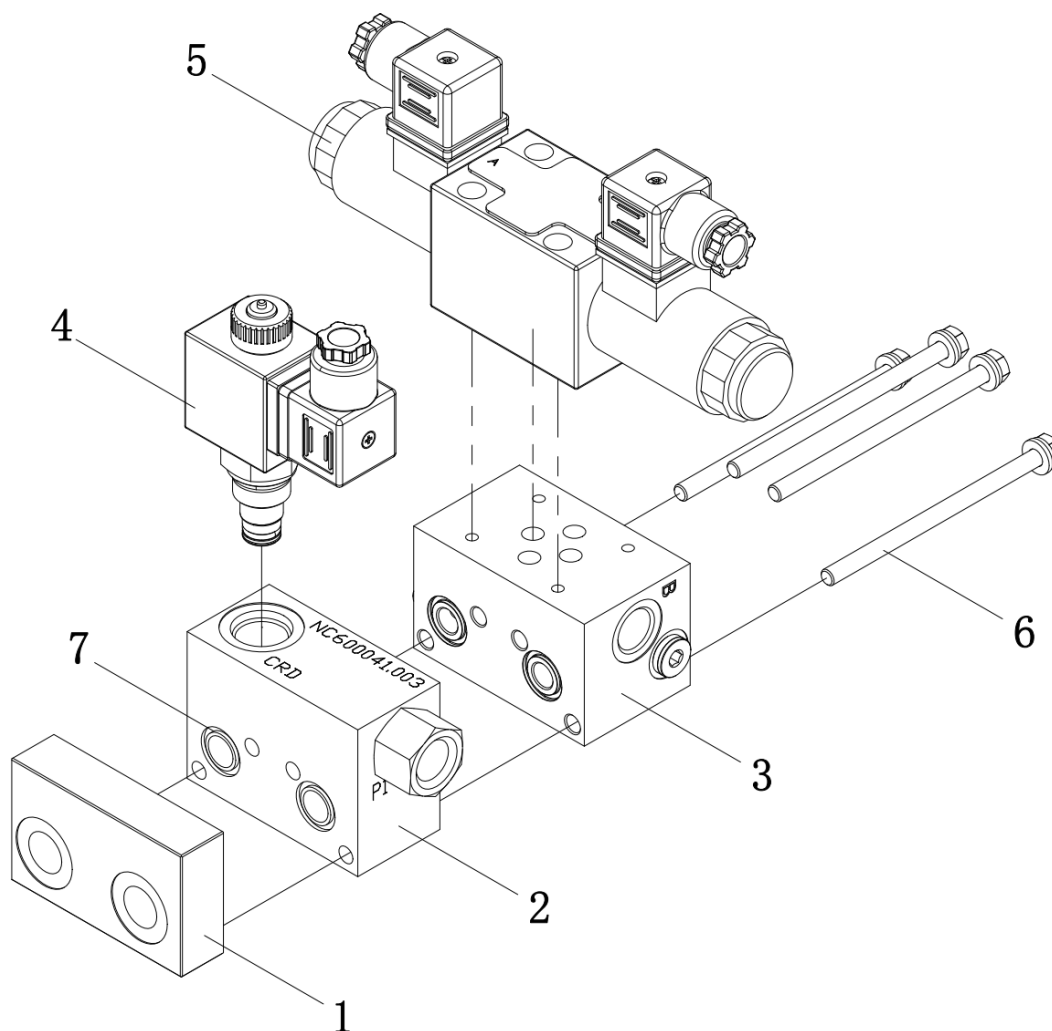
Index	Part No.	Drawing Number	Part Name	QTY	Remark
1	73005000054	BOA-03530	Pressure and compensation valve	1	
2	73005000055	BOA-03507	Direct relief valve	1	
3	73001000017	BOA-03510	CBKL gear pump	1	
4	73005000056	BOA-03508	Check valve	1	
5	73005000057	BOA-03509	Pay manual solenoid valve	1	
	73005000058	BOA-03504	Proportional valve	1	
6	21000100095	GB3452.1	O-ring $\phi 112 \times 3.55$	1	
7	73009900003	BOA-03501	Fuel tank cap	1	
8	73009900020	BOA-03506	Oil suction filter	1	
9	73000200003	BOA-03520	Fuel tank	1	
10	8D111016001	BOA-03500	Hydraulic station assembly	1	No proportional valve

## Hydraulic system - Double stage gantry



Index	Part No.	Drawing Number	Part Name	QTY	Remark
1	73006000057	1QH9-16-14OG	90° right Angle joint M16 x 1.5 -- M14 x 1.5	1	
2	73004000098	YG-10003-1170	No. 3 tubing M16×1.5	1	
3	73006000027	1QG9-16-060G	Tubing connector M16×1.5-G3/8 "×19	1	
4	73005000022	BOA-03070	OTC313S002 two-way valve group	1	
5	72006000041	BOA-03041	Tubing connection	2	
6	72007000031	BOA-03042	Screws	2	
7	73004000062	BOA-03001- 2450	Return pipe L=2450	1	3.3m
8	73003000010	BOA-03002	Lean forward hard tube	1	
9	73003000011	BOA-03003	Tilt back hard tube	1	
10	73007000031	BOA-03600B	Tilt cylinder 2	1	

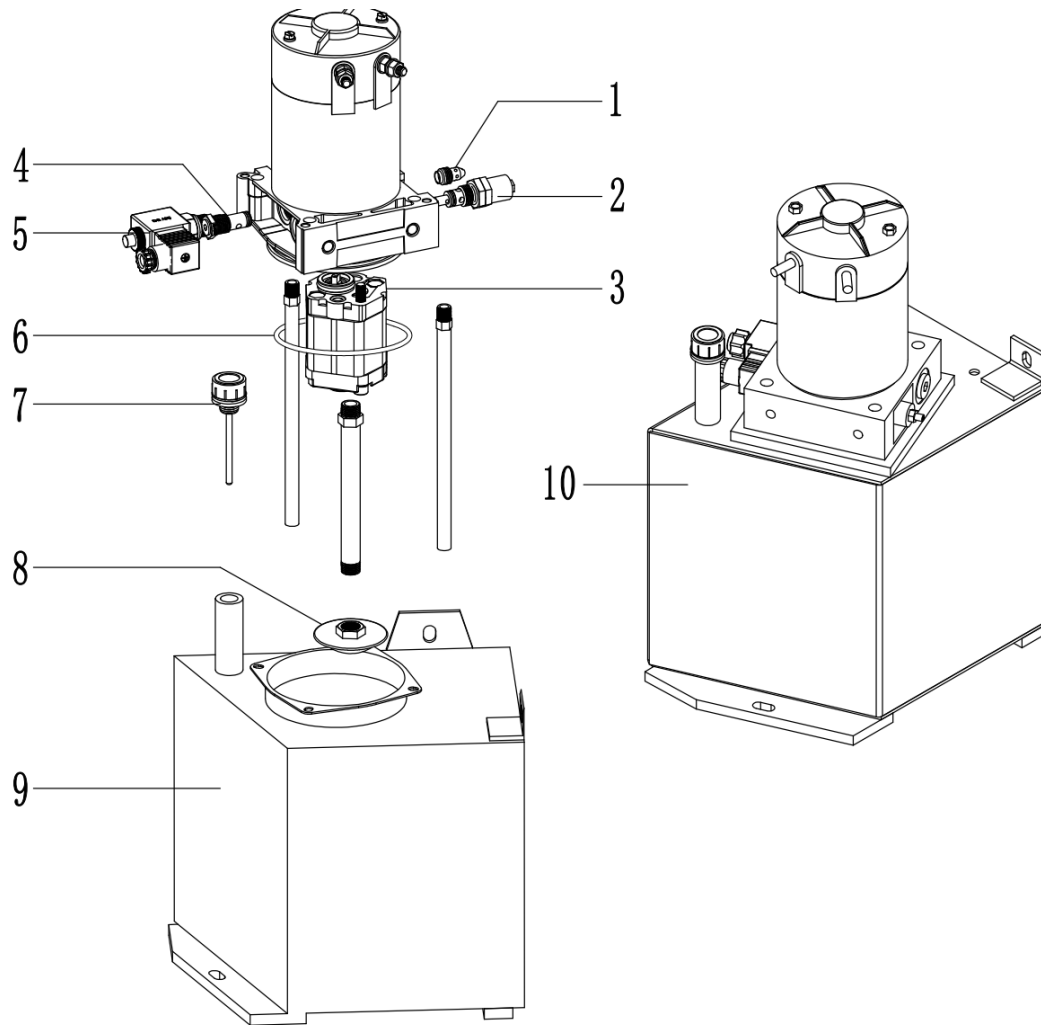
## Hydraulic system (double solenoid valve)



Index	Part No.	Drawing Number	Part Name	QTY
1	73005000059	BOA-03071	NC600263.000 Valve block MC Overlay Valve block cover G3/8	1
2	73005000060	BOA-03072	NC600041.003 Bidirectional pressure holding valve block	1
3	73005000061	BOA-03073	NC600037.002 End H valve block	1
4	73005000062	BOA-03074	CRD0418NCAEM002 two-way pressure retaining valve	1
5	73005000063	BOA-03075	IE3-FT-1D-024D/20 O type solenoid directional valve 24V/DC	1
6	73005000064	BOA-03076	Valve block mounting bolt	4
7	73005000065	BOA-03077	Valve block seal ring $\Phi 14 \times 1.8$	4

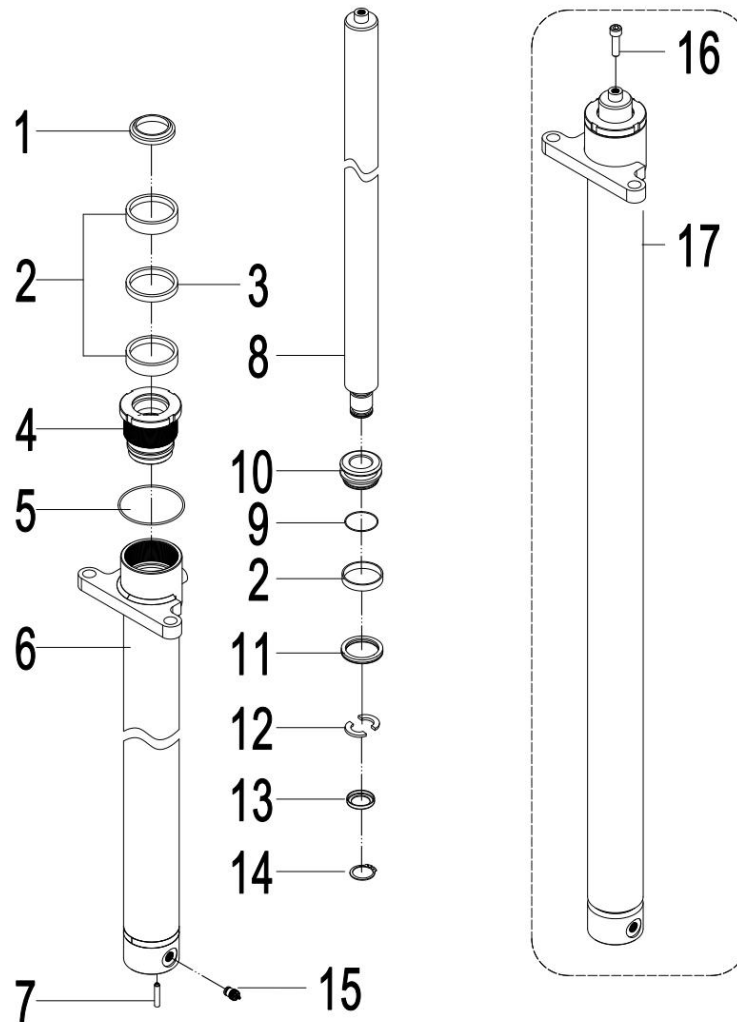


## Hydraulic system - Hydraulic station

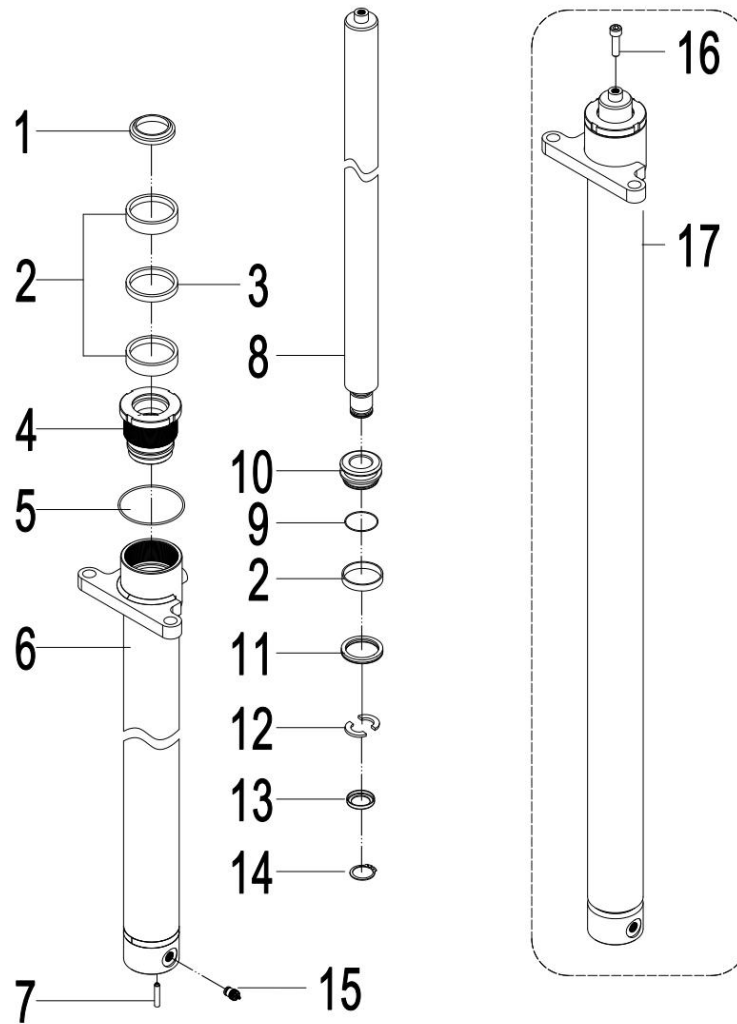


Index	Part No.	Drawing Number	Part Name	QTY	Remark
1	73005000054	BOA-03530	Pressure and compensation valve	1	
2	73005000055	BOA-03507	Direct relief valve	1	
3	73001000017	BOA-03510	CBKL gear pump	1	
4	73005000056	BOA-03508	Check valve	1	
5	73005000057	BOA-03509	Pay manual solenoid valve	1	
	73005000058	BOA-03504	Proportional valve	1	
6	21000100095	GB3452.1	O-ring $\phi 112 \times 3.55$	1	
7	73009900003	BOA-03501	Fuel tank cap	1	
8	73009900020	BOA-03506	Oil suction filter	1	
9	73000200003	BOA-03520	Fuel tank	1	
10	8D111016001	BOA-03500	Hydraulic station assembly	1	No proportional valve

## Hydraulic system - Lifting cylinder

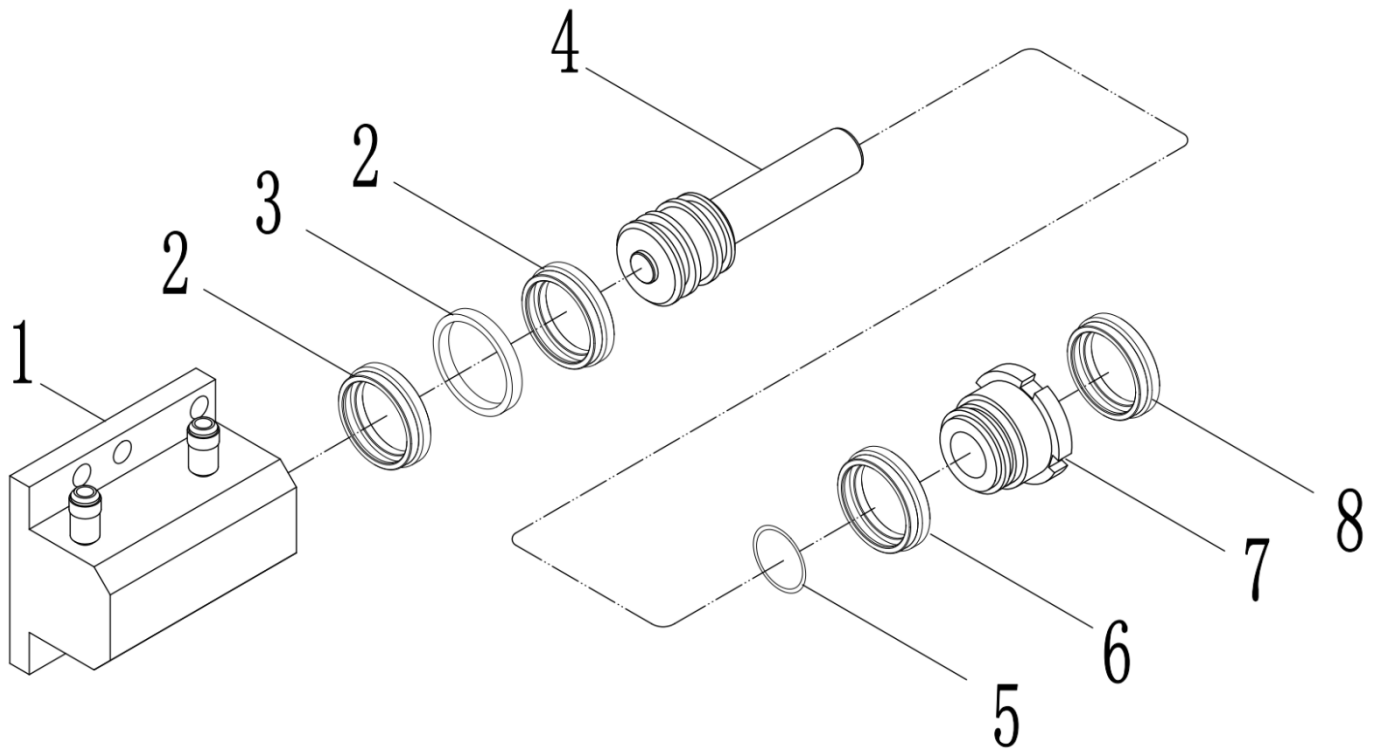


Index	Part No.	Drawing Number	Part Name	QTY	Remark
1	21000300001	DHS45	Dustproof ring 45 x 53 x 6.5	1	
2	21000800003	BDA-03013	Guide ring for holes	3	
3	21000400001	UHS45	Seal ring 45×56×7	1	
4	72004000049	BOA-03101	End cover	1	
5	21000100033	GB3452.1	O-ring D63×3.55	1	
6	8D112013003	BOA-03333	3.3M cylinder welded	1	
7	22800700007	GB879.1	Elastic pin 10 x 30	1	
8	72003000121	BOA-03233	3.3M piston rod	1	
9	21000100052	GB3452.1	O-ring D30×3.55	1	
10	72004000050	BOA-03102	piston	1	
11	21000400002	UHS53	Seal ring 53×63×6	1	
12	72004000036	BDA-03016	Half ring	2	



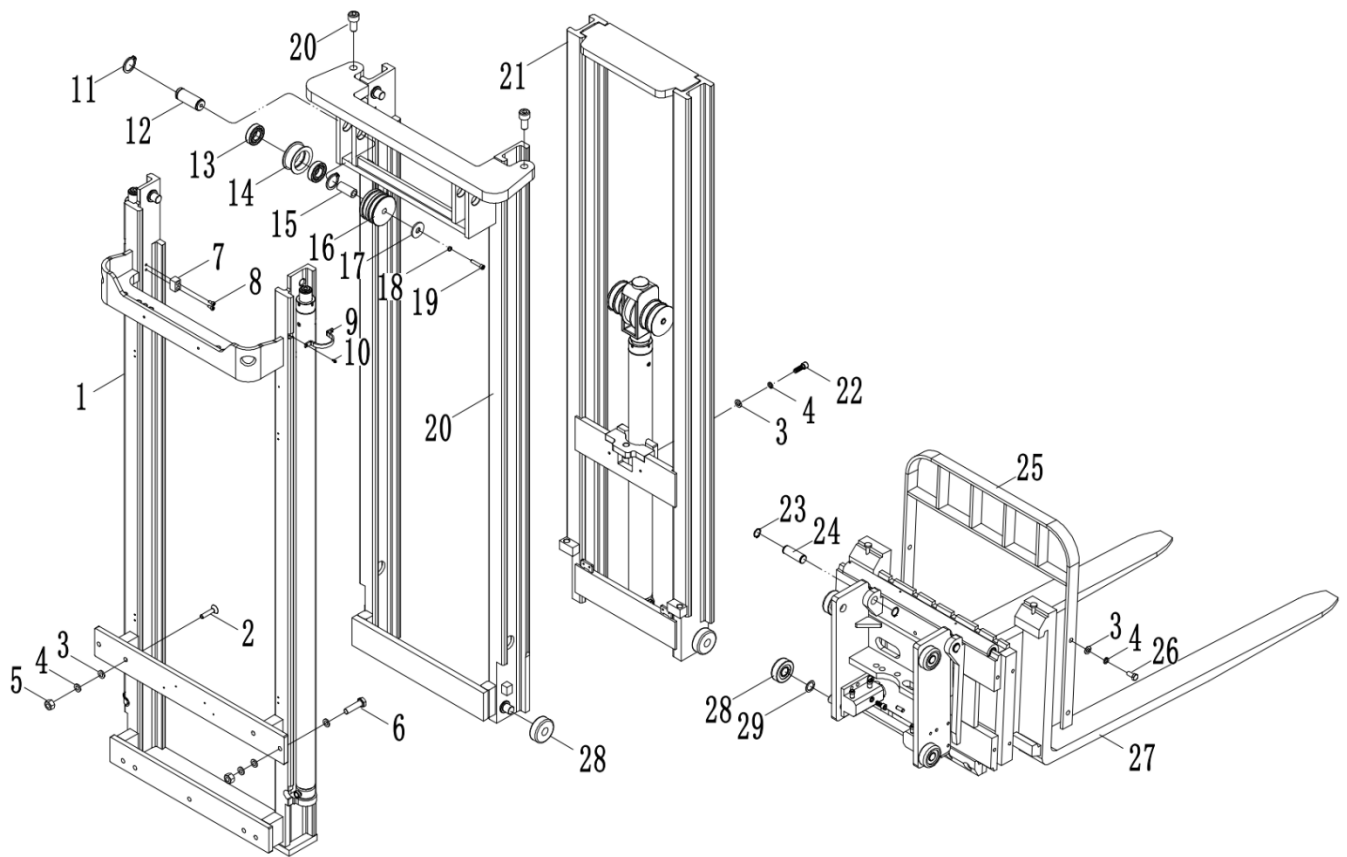
Index	Part No.	Drawing Number	Part Name	QTY	Remark
13	72004000037	BDA-03017	Half ring sleeve	1	
14	22600900008	GB894.1	Retaining ring d30	1	
15	73005000019	BOA-03030	Explosion-proof valve assembly	1	
16	22101600049	GB70.1	Screw M10 x 50	1	
17	73007000012	BOA-03133	Cylinder assembly (two stages)	1	3.3m

## Hydraulic system - Tilt cylinder

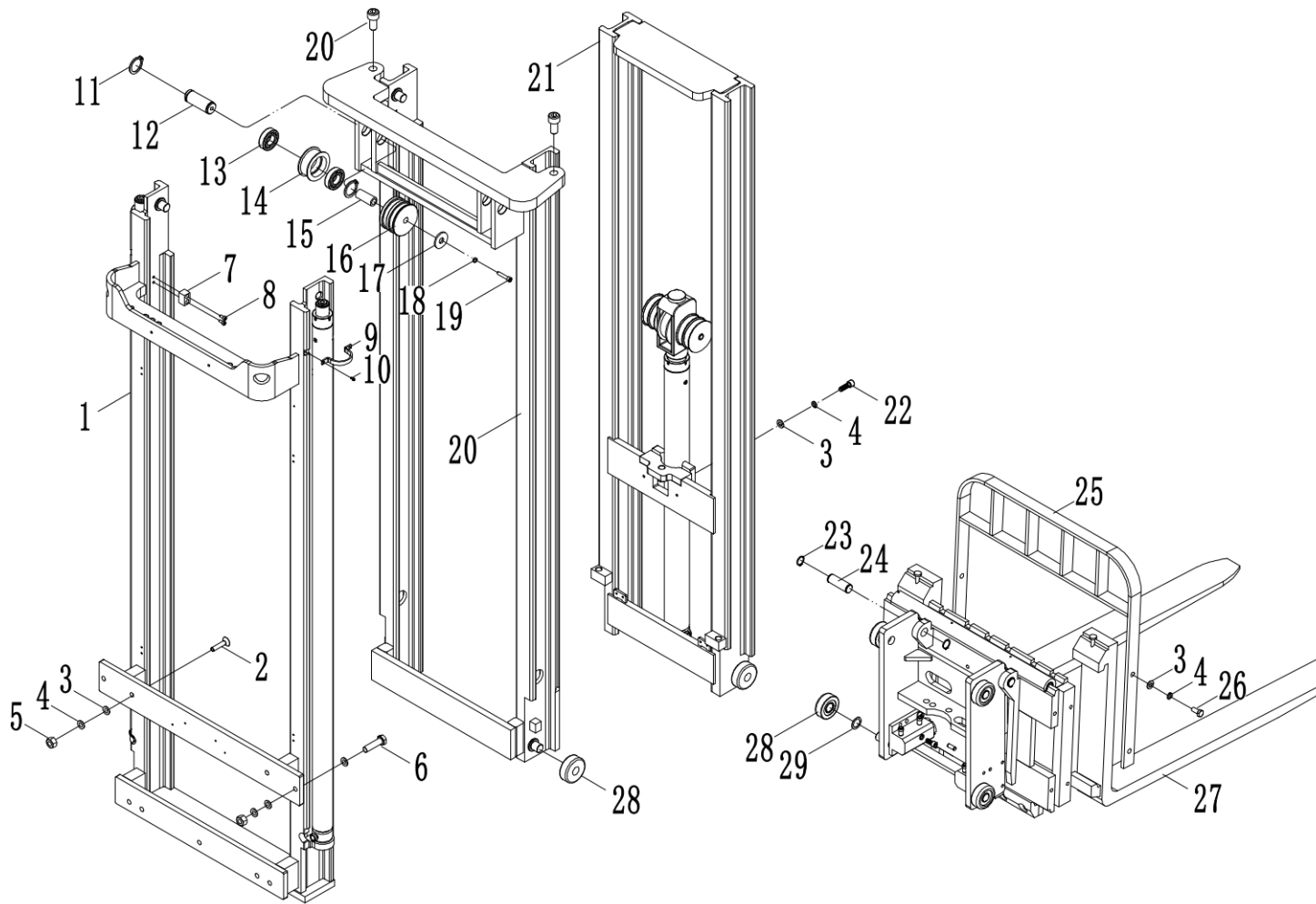


Index	Part No.	Drawing Number	Part Name	QTY	Remark
1	73007000122	QQA-05091B	Cylinder block	1	
2	21000400047		UNS sealing ring 35 x 45 x 5	2	
3	21000800006		Guide belt 10 x 2.5	1	
4	72004000057	BOA-03301	Piston rod	1	
5	21000100057	GB3452.1	O-ring d41.2×2.65	1	
6	21000400048		UNS sealing ring 22 x 30 x 5	1	
7	73007000123	QQA-05092	Cylinder head	1	
8	21000300013		DHS dust ring 22 x 30 x 4.5 x 6	1	

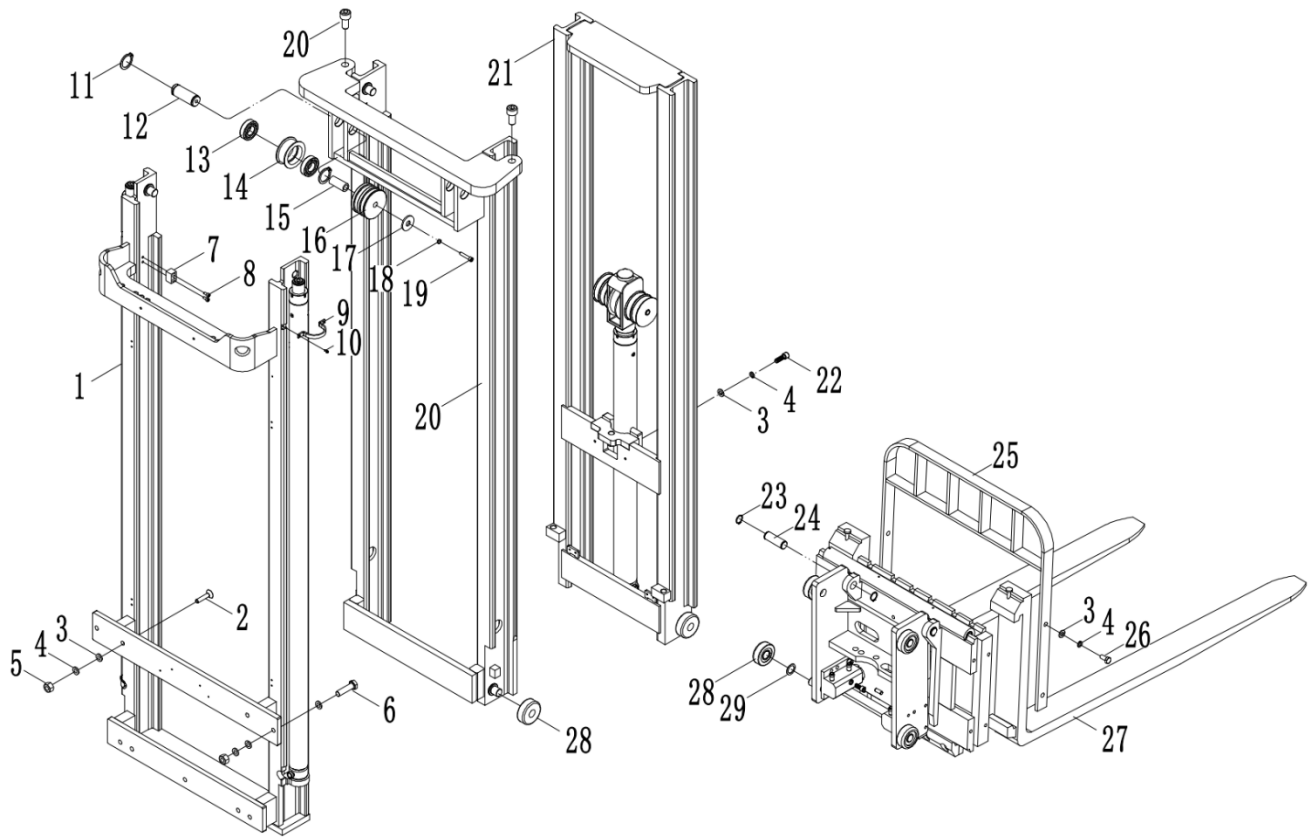
## Triple stage gantry system - Tilt + side shift



Index	Part No.	Drawing Number	Part Name	QTY	Remark
1	8D102006050	QPA13028348100	External frame 4.8 m	1	
2	22101800038	GB70.3	Hexagonal countersunk head screw M12×55	2	
3	22500100008	GB97.1	Flat washer 12	16	
4	22501200006	GB93	Spring pad 12	12	
5	22400300006	GB6170	Hexagon nut M12	7	
6	22000400021	GB5783	Hexagon head bolt M12×55	5	
7	72001006770	QDA-05019	Stop block	2	
8	22101600033	GB70.1	Hexagonal cylindrical head screw M8×16	4	
9	72002000314	QDA-05015B	Cylinder cling	2	
10	22101600017	GB70.1	Hexagonal cylindrical head screw M5×12	4	
11	22600900007	GB894.1	Retaining ring 35	4	
12	72003000168	QQA-02504A	Sprocket shaft	2	

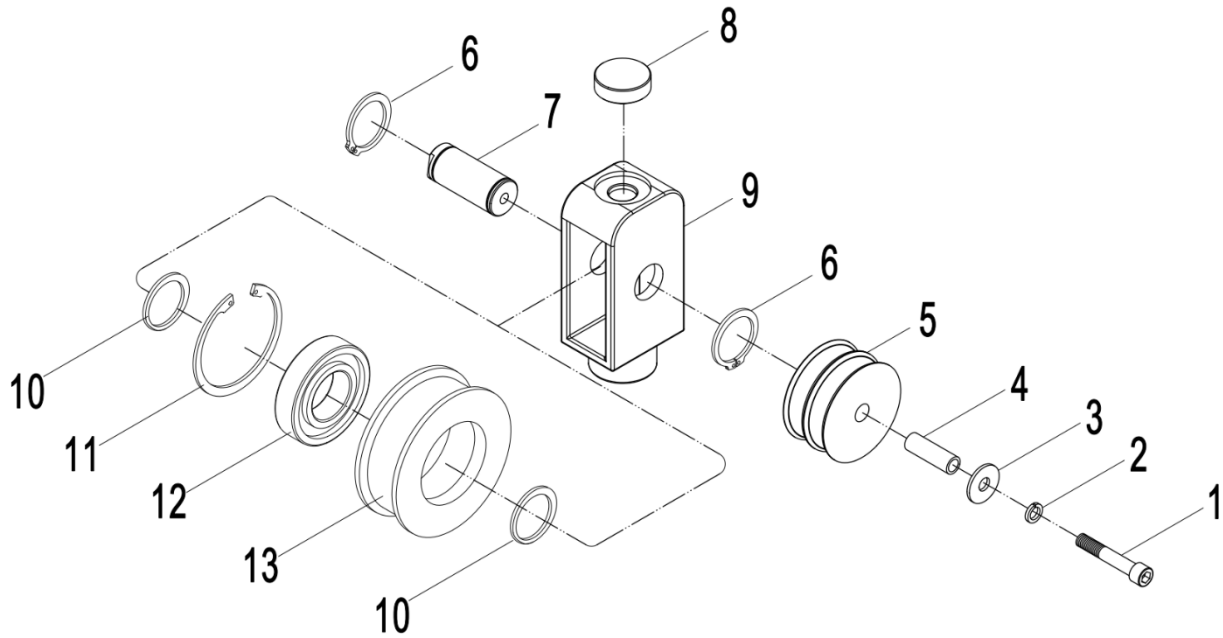


Index	Part No.	Drawing Number	Part Name	QTY	Remark
13	4000000001266	GB276	Bearing 6007-2RZ	8	
14	71004100003	QDA-06008	Chain roller	4	
15	72004000136	BOA-06003	Pipe sleeve	2	
16	75000300013	QQA-02505	Nylon wheel	2	
17	22500200009	GB95	Flat pad 12	8	
18	22501200006	GB93	Spring pad 12	8	
19	22101600156	GB70.1	Hexagonal cylindrical head screw M12×90	2	
20	8D102006056	QPA13028348200	Middle frame 4.8 m	1	
21	8D102006057	QPA13028348300	Inner frame 4.8 m	1	
22	22101600064	GB70.1	Hexagonal cylindrical head screw M12×35	4	
23	22600900004	GB894.1	Retaining ring 25	4	
24	72003000126	QQA-04025	Slide frame pin	2	



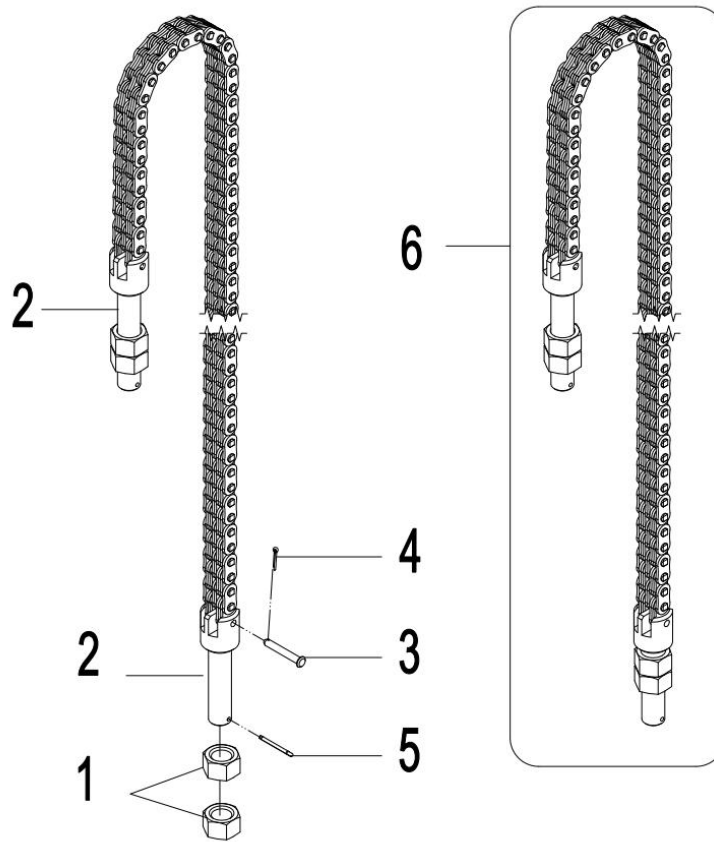
Index	Part No.	Drawing Number	Part Name	QTY	Remark
25	8D102006047	QPA13028280010	Stop shelf 660	1	
26	22000400004	GB5783	Hexagon head bolt M12×25	4	
27	72002000613	P15S8901070	Fork assembly 35×100×1070	2	
28	71004000008	QDA-05017-78	roller	12	
29	72004000107	QDA-05018	frame roller gasket	12	

## Triple-stage gantry system (medium cylinder sprocket assembly)



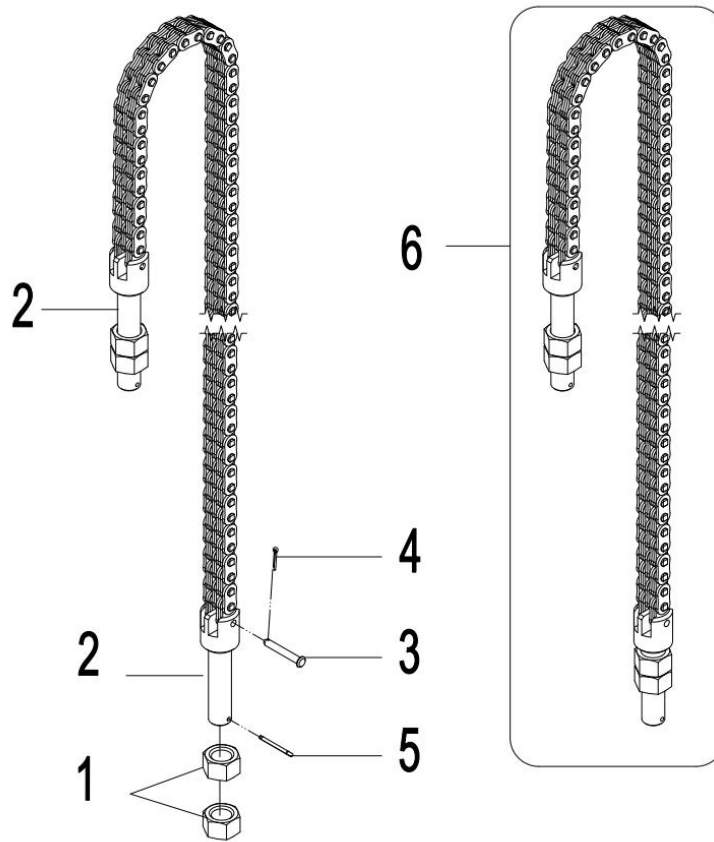
Index	Part No.	Drawing Number	Part Name	QTY	Remark
1	22101600089	GB70.1	Screw M12×70	1	
2	22501200006	GB93	Spring pad 12	1	
3	22500500002	GB96.1	Washer 12	1	
4	72004000131	QQA-02053B	Shaft sleeve (double)	1	
5	75000300013	QQA-02505	Nylon wheel	1	
6	22600900007	GB894.1	Retaining ring 35	2	
7	72003000168	QQA-02504A	Chain shaft	1	
8	75000100048	QQA-02511	Shock block one	1	
9	72006000066	QQA-02502	Sprocket seat	1	
10	72004000108	QQA-02509A	Spacer sleeve	2	
11	22600700004	GB893.1	Hole retaining ring 72	1	
12	23000100005	6207	bearing	1	
13	71004100004	QQA-02503	Sprocket wheel	1	

## Triple-stage gantry system (medium cylinder chain)



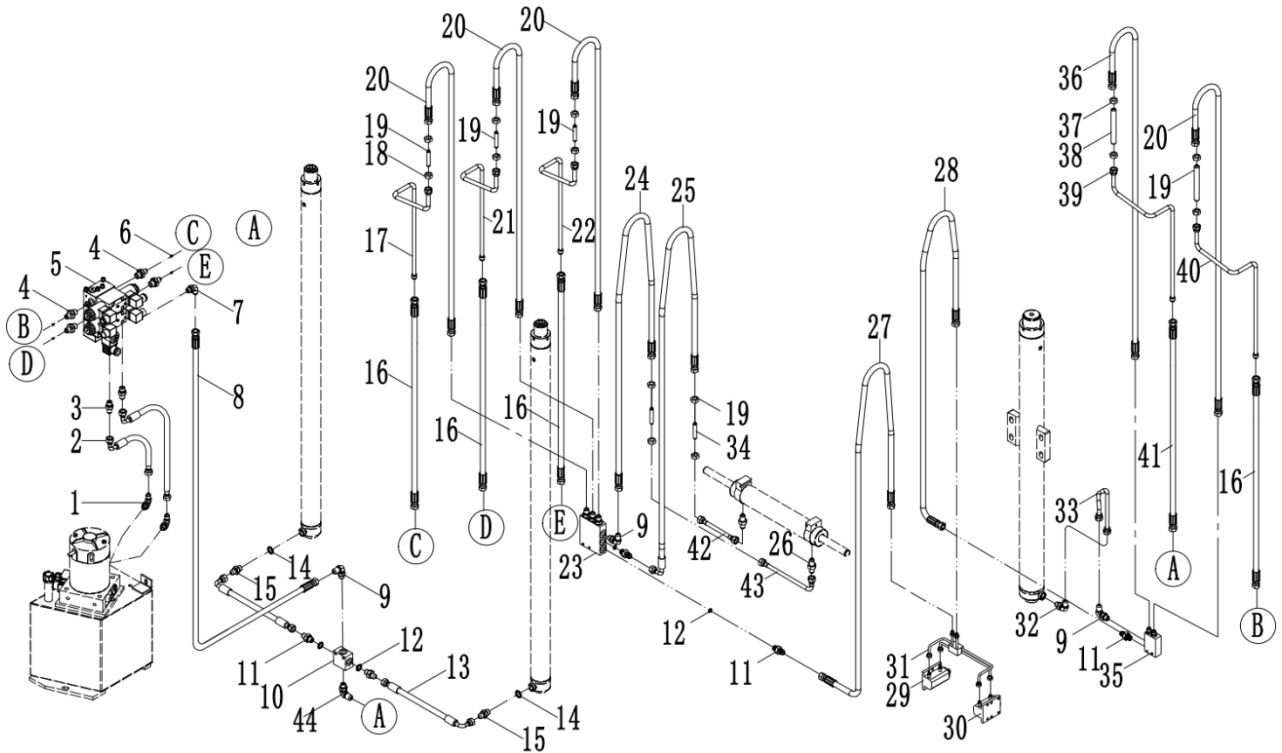
Index	Part No.	Drawing Number	Part Name	QTY	Remark
1	22400600008	GB6176	Hexagon nut M16 x 1.5	4	
2	72007000046	QQA-02507	Chain joint	2	
3	7200300000474	P168205003	T-chain pin	2	
4	22801600002	GB91	Cotter pin 2 x 16	2	
5	22801600003	GB91	Cotter pin 2.5×25	2	
6	8Q014009021	QQA-02508-81	Medium cylinder chain 81 knots	1	4.8m

## Triple-stage gantry system (side cylinder chain)

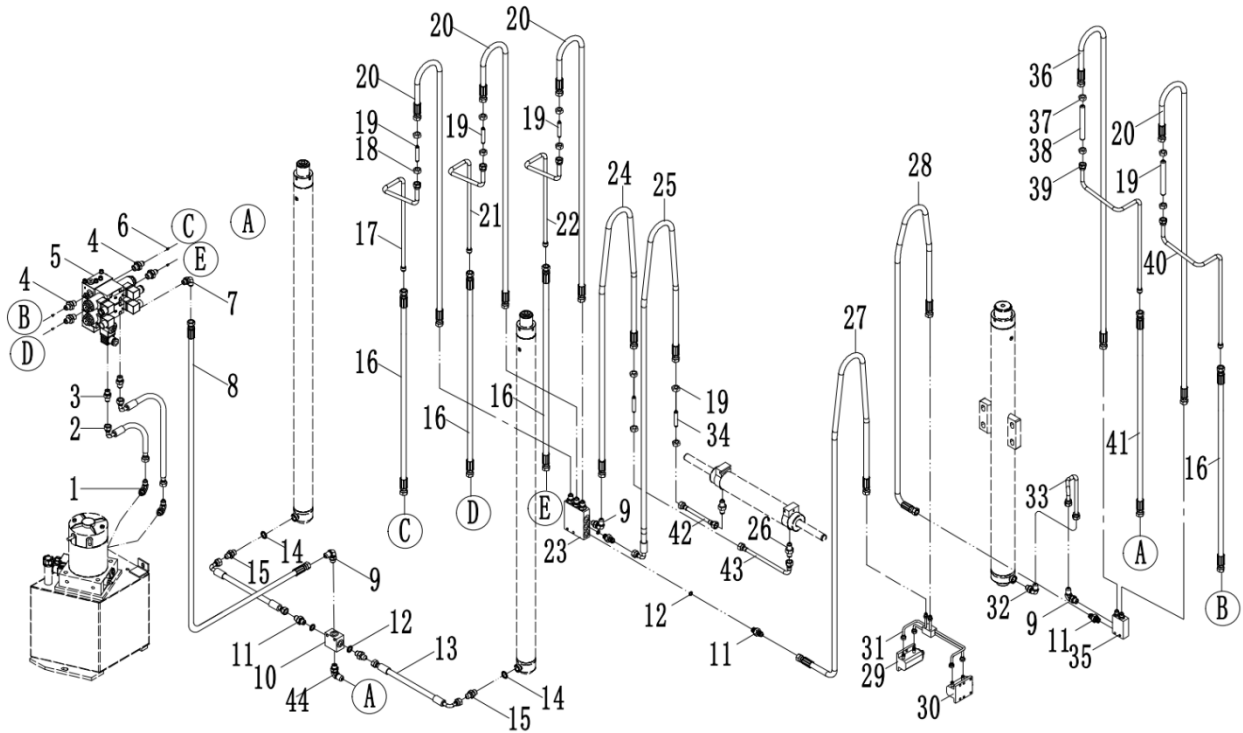


Index	Part No.	Drawing Number	Part Name	QTY	Remark
1	22400600003	GB6176	Hexagon nut M16 x 1.5	4	
2	72007000012	BDA-03039	Chain pull head one	1	
3	22801700002	GB882	Pin type B B5×35	2	
4	22801600007	GB91	Cotter pin 2×12	2	
5	22801600003	GB91	Cotter pin 2.5×25	2	
6	23200300022	LH08460149	Chain assembly 149 knots	2	4.8m

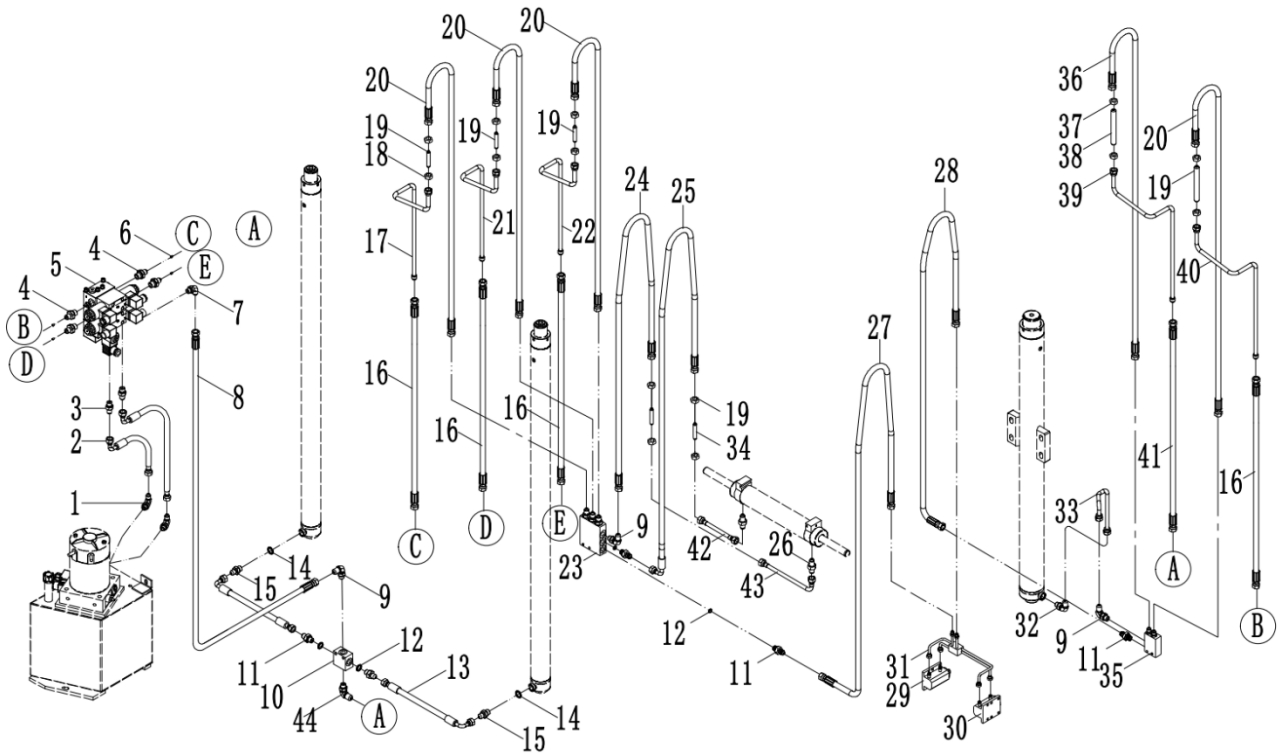
## Hydraulic system (three-stage + tilt + Side shift)



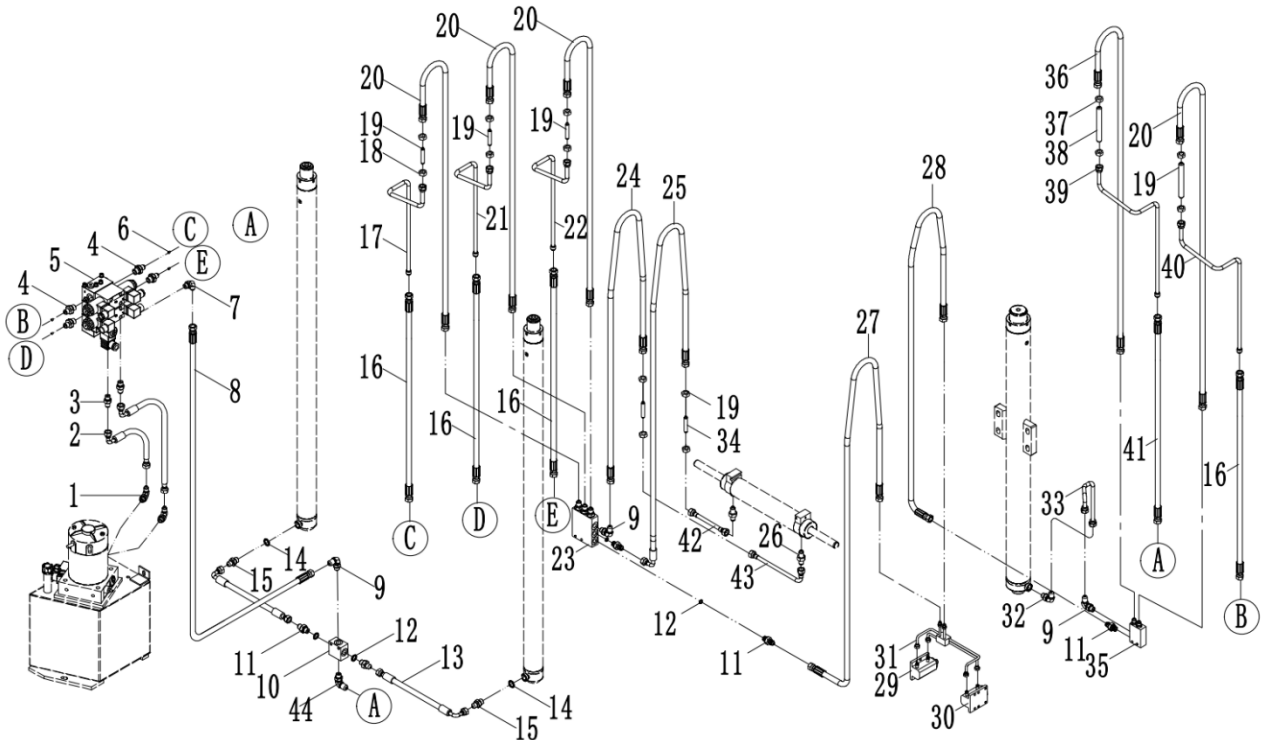
Index	Part No.	Drawing Number	Part Name	QTY	Remark
1	73006000023	1QG9-16-04OG	90° Right Angle joint M16×1.5-G1/4×19"	2	
2	73004000093	YG-10004-316	No. 4 tubing (M16×1.5)	2	
3	73006000027	1QG-16-06	Tubing connector M16×1.5-G3/8 "×19	2	
4	72006000041	BOA-03041	Tubing connection	4	
5	8D11400000007	BOA-03060	OTC313S002 three-way valve group	1	
6	72007000031	BOA-03042	Screws	4	
7	73006000027	1QG9-16-060G	Tubing connector M16×1.5-G3/8 "×19	1	
8	73004000098	YG-10003-1170	No. 3 tubing L=1170	1	M16×1.5
9	73006000025	1QH9-14-14OG	Right Angle joint M14×1.5	2	
10	7200100001660	QDA-32201	Four way oil block	1	
11	73006000048	1QH-14-14	BDA-00025 connector M14x1.5	9	
12	21001100002	JB982	Combined seal gasket 14	9	



Index	Part No.	Drawing Number	Part Name	QTY	Remark
13	73004000089	QDA-03030	High pressure flowline	2	
14	21001100003	JB982	Combined seal gasket 16	3	
15	73006000100	1QH-14-16	Connector M14x1.5- M16x1.5	3	
16	73004000521	YG-10002-2600	No. 2 tubing	3	4.8m
17	73003010053	QPA130208600010	Hard tube 1	1	
18	22400800004	GB6173	Thin hexagon nut M14 x 1.5	12	
19	73006000030	QQA-05010A	Connector M14×1.5×120	4	
20	73004000126	YG-10001-2000	No. 1 tubing M14× 1.5L =2200	4	4.8m
21	73003010054	QPA130208600020	Hard tube 2	1	
22	73003010055	QPA130208600030	Hard tube 3	1	
23	73005000021	QQA-02715	Three-way valve block	1	
24	73004000125	YG-10001-1950	No. 1 tubing	1	4.8m

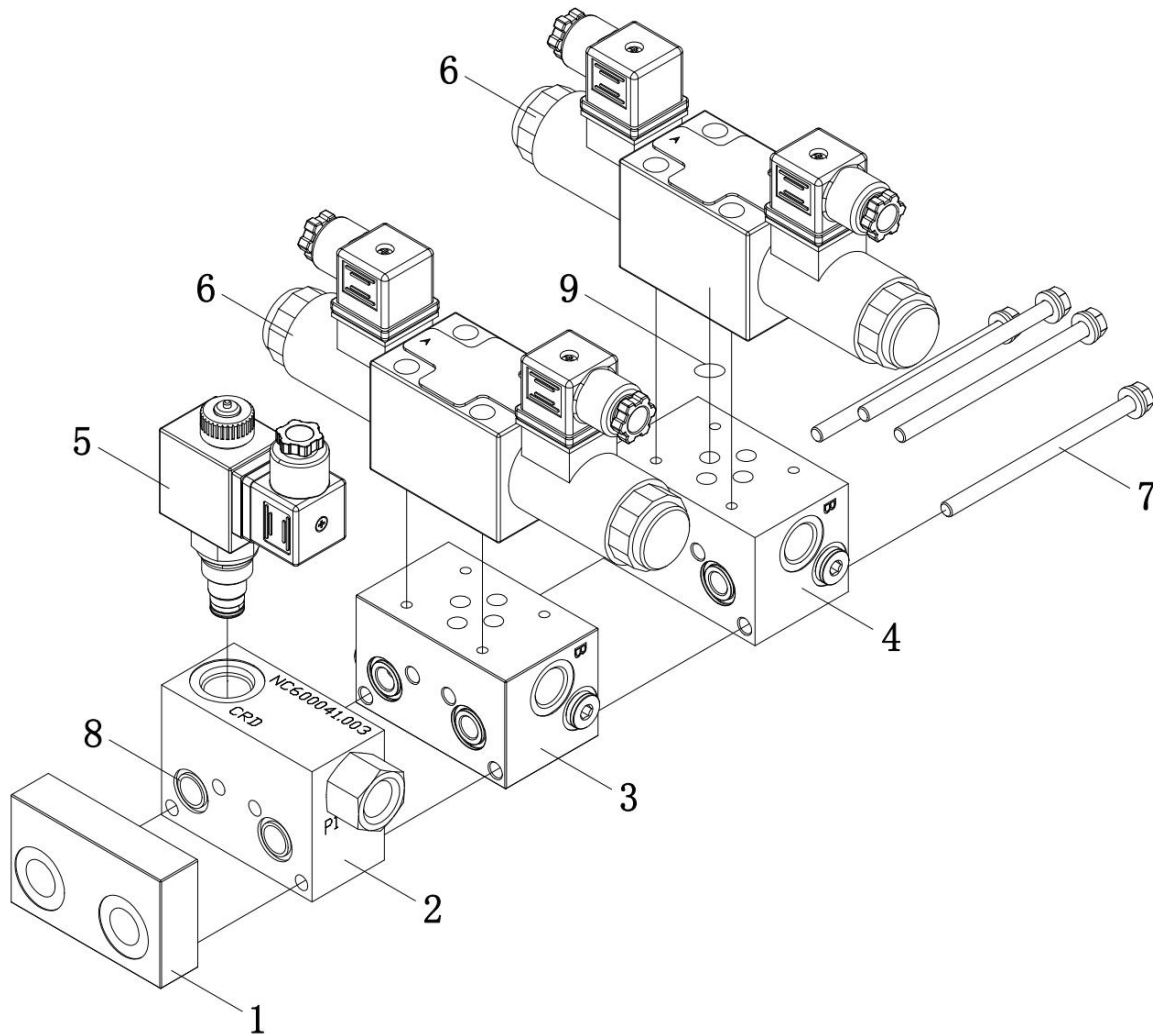


Index	Part No.	Drawing Number	Part Name	QTY	Remark
25	73004000500	YG-10002-2000	No. 2 tubing	1	4.8m
26	73006000002	1QG9-14-040G	Right Angle connector G1/4-19/M14×1.5	2	
27	73004000107	YG-10001-2120	No. 1 tubing	1	
28	73004000501	YG-10001-2050	No. 1 tubing	1	4.8m
29	73007000030	BOA-03600A	Tilt cylinder 1	1	
30	73007000031	BOA-03600B	Tilt cylinder 2	1	
31	73003000012	BOA-03004	Inclined hard pipe	1	
32	73006000057	1QH9-16-140G	90° right Angle joint M16×1.5 - M14×1.5	1	
33	73003010068	QQA20A8700010	Medium cylinder hard tube	1	
34	73006000029	QQA-05010B	Connector M14×1.5×80	2	
35	73005000017	QQA-02309B	Right valve block	1	
36	73004000580	YG-10003-2200	No. 3 tubing M16× 1.5L =2200	1	4.8m



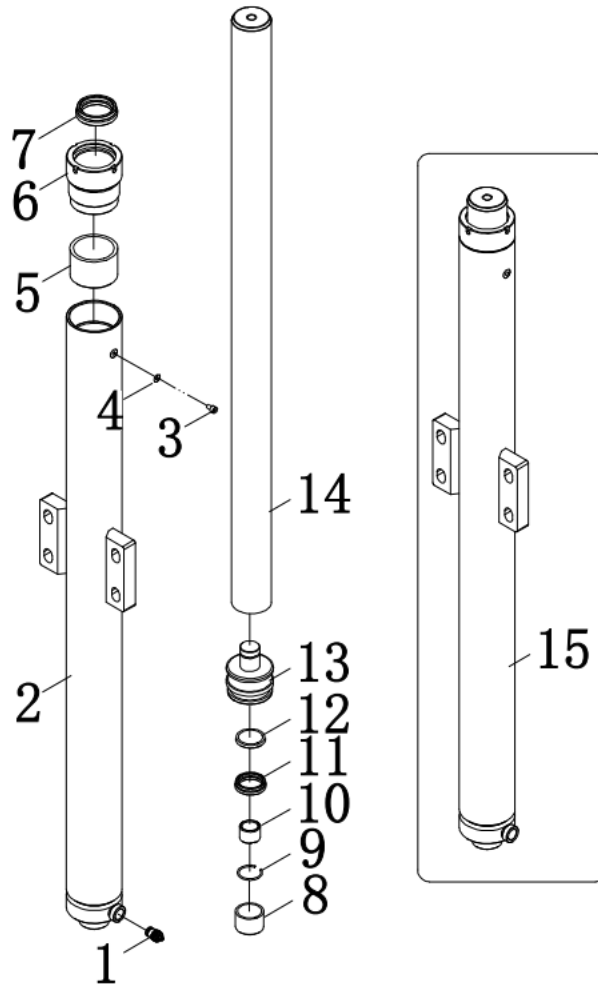
Index	Part No.	Drawing Number	Part Name	QTY	Remark
37	22400800005	GB6173	Thin hexagon nut M16 x 1.5	2	
38	7300600000098	QDA-32209	Connector M16×1.5×120	1	
39	73003010056	QPA130208600040	Hard tube	1	
40	73003010057	QPA130208600050	Hard tube	1	
41	73004000522	YG-10004-2600	No. 4 tubing	1	4.8m
42	73004000089	YG-10002-316	No. 2 tubing	1	
43	73004000090	YG-10002-350	No. 2 tubing	1	
44	73006000057	1QH9-16-14OG	Right Angle joint M16×1.5/M14×1.5	1	

## Hydraulic system (triple solenoid valve)

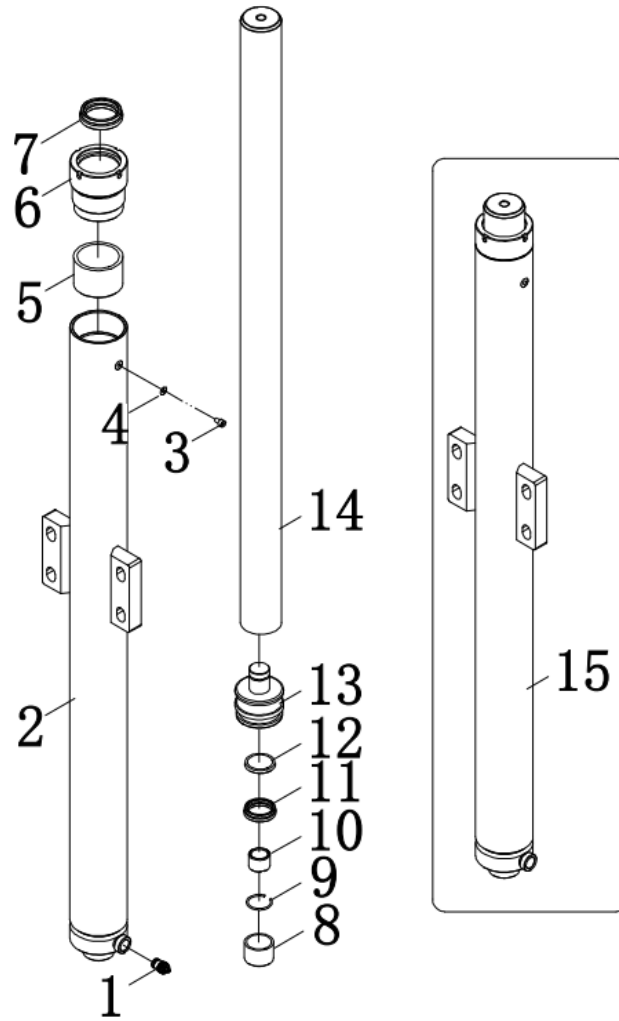


Index	Part No.	Drawing Number	Part Name	QTY
1	73005000059	BOA-03071	NC600263.000 Valve block MC Overlay Valve block cover G3/8	1
2	73005000060	BOA-03072	NC600041.003 Bidirectional pressure holding valve block	1
3	73005000081	BOA-03061	NC600034.002 Middle E valve block	1
4	73005000061	BOA-03073	NC600037.002 End H valve block	1
5	73005000062	BOA-03074	CRD0418NCAEM002 two-way pressure retaining valve	1
6	73005000063	BOA-03075	IE3-FT-1D-024D/20 O type solenoid directional valve 24V/DC	2
7	73005000064	BOA-03076	Valve block mounting bolt	4
8	73005000065	BOA-03077	Valve block seal ring $\Phi 14 \times 1.8$	6
9	73005000082	BOA-03062	Reversing valve seal ring $\Phi 9.2 \times 1.9$	8

## Hydraulic system - Medium cylinder

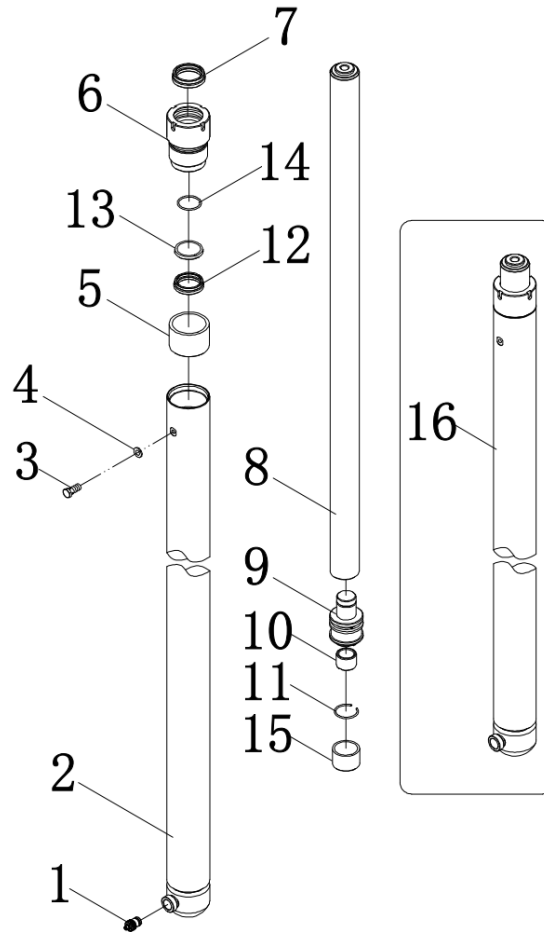


Index	Part No.	Drawing Number	Part Name	QTY	Remark
1	73005000019	BOA-03030	Explosion-proof valve assembly	1	
2	8D21200200028	QDA15D8348910	Cylinder welding	1	4.8m
3	7300600000100	QDA1502E1200105	Muffler (flat head type) M6x1	1	
4	21001100010	JB982	Combined seal gasket 6	1	
5	23100100068	SF-1-3840	Composite bushing	1	
6	72003001292	QDA15D8300940	Cylinder cover	1	
7	21000400041	DHS50	Dust ring 50 x 58 x 5 x 6.5	1	
8	72003001293	QDA15D8300902	Guide ring 55×60×14.8	1	
9	22601200013	GB895.1	Hole retaining ring 28	1	
10	75000100144	QDA15D8300840	Buffer sleeve	1	
11	21000400022	UHS50	Sealing ring 50×60×6	1	
12	72004001416	QDA15D8300901	Retaining ring 50×60×2	1	



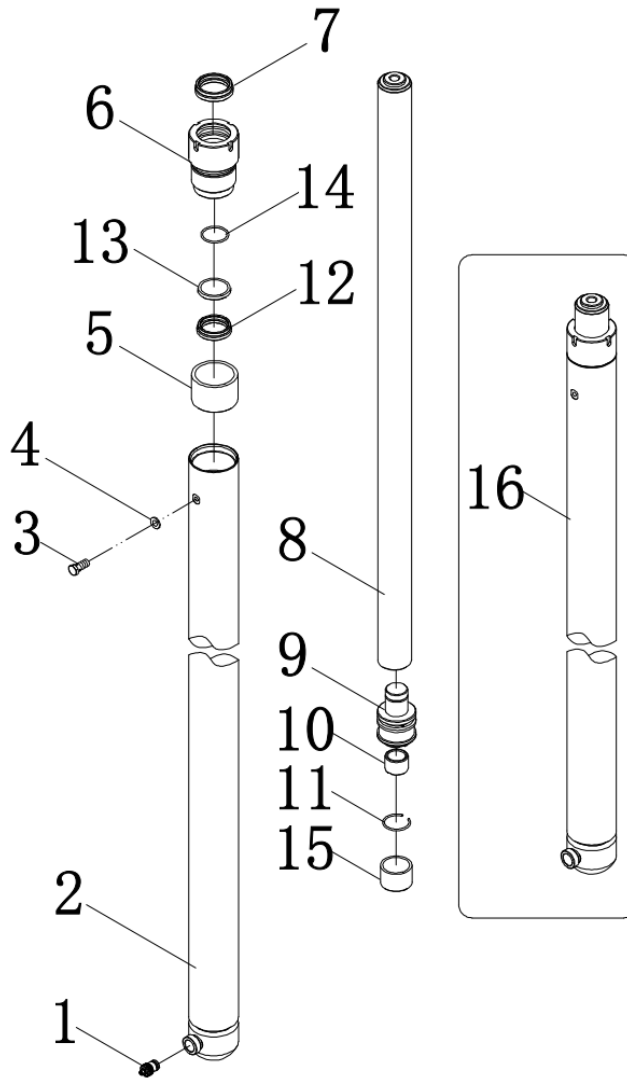
Index	Part No.	Drawing Number	Part Name	QTY	Remark
13	72003001294	QDA15D8300930	piston	1	
14	72003001295	QDA15D8300920	Piston rod	1	
15	73007000323	QDA15D8300900	Medium oil cylinder 1.5T	1	

## Hydraulic system - Side cylinder



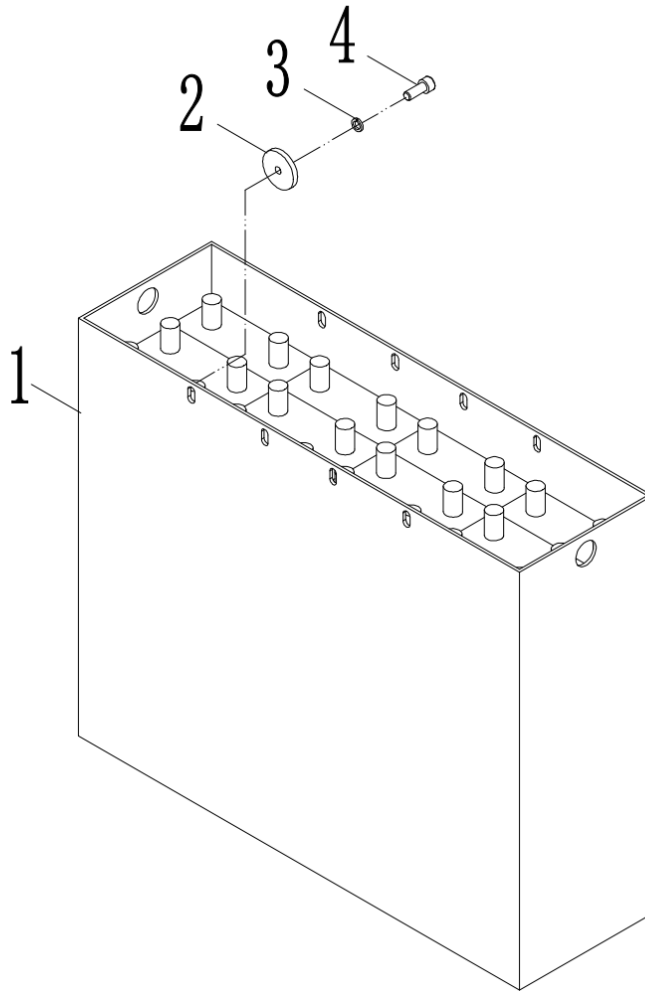
Index	Part No.	Drawing Number	Part Name	QTY	Remark
1	73005000019	BOA-03030	Explosion-proof valve assembly	1	
2	8D21200200020	QDA15D8348810	Cylinder	1	4.8m
3	7300600000100	QDA1502E1200105	Muffer (flat head type) M6x1	1	
4	21001100010	JB982	Combined seal gasket 6	1	
5	23100100068	SF-1-3840	Composite bushing	1	
6	72003001268	QDA15D8300850	Cylinder cover	1	
7	21000300005	DHS38	Dust ring 38 x 46 x 5 x 6.5	1	
8	72003001270	QDA15D8348820	Piston rod	1	4.8m
9	72003001272	QDA20D8300830	piston	1	
10	75000100144	QDA15D8300840	Buffer sleeve	1	
11	22601200013	GB895.1	Hole retaining ring 28	1	

12	21000400004	UHS38	Seal ring 38×48×6	1	
----	-------------	-------	-------------------	---	--



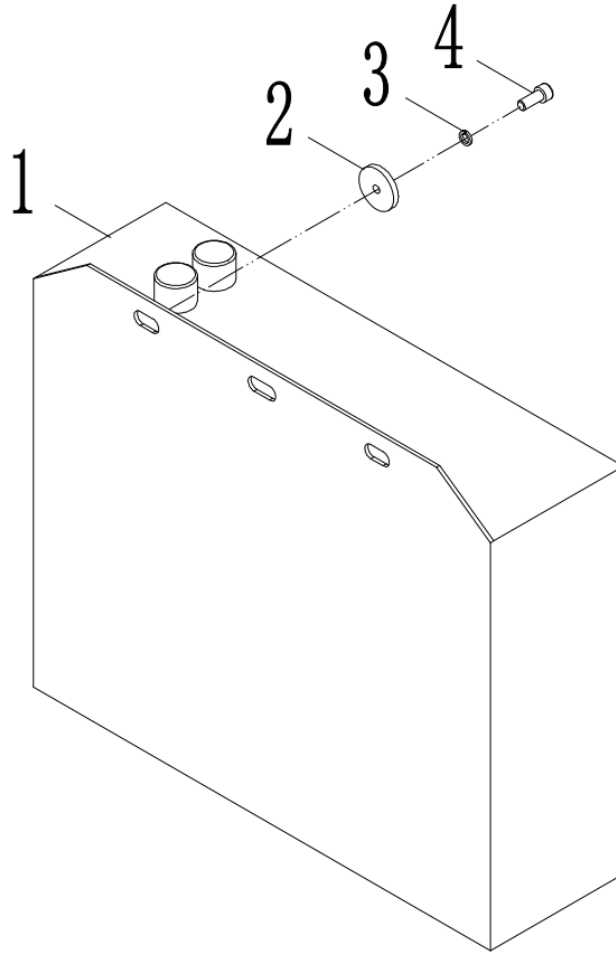
Index	Part No.	Drawing Number	Part Name	QTY	Remark
13	21000100101	GB3452.1	O-ring d38×3.55	1	
14	72004001417	QDA15D8300803	Retaining ring 38×48×2	1	
15	21000800015	QDA15D8300802	Guide ring 40×45×14.8	1	
16	73007000328	QDA20D8348800	Side cylinder 4.8 m	2	

## Power system - lead-acid battery



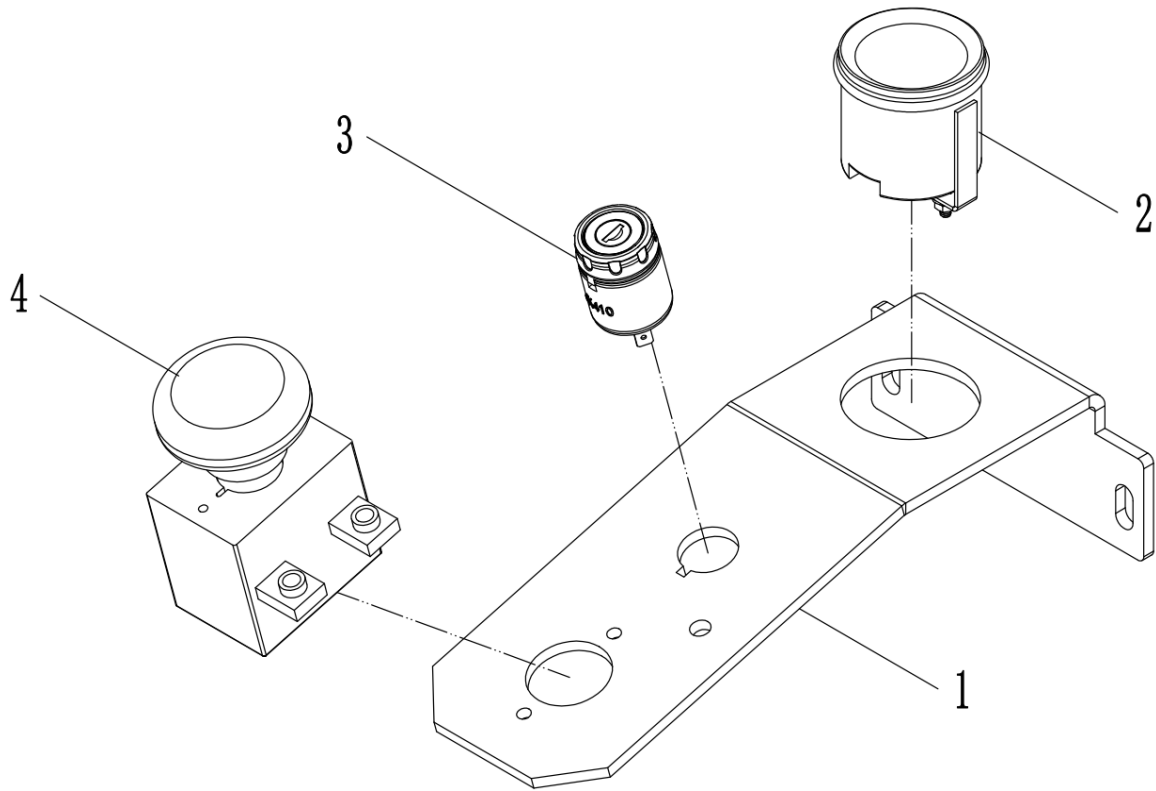
Index	Part No.	Drawing Number	Part Name	QTY	Remark
1	11009000018	QBA-08300	Battery assembly 24V/3PZB210H	1	
2	72001000446	QBA-02006	Floating frame limit washer	2	
3	22501200004	GB93	Standard spring washer 8	2	
4	22101600034	GB70.1	Screw M8×20	2	

## Power system - Lithium battery



Index	Part No.	Drawing Number	Part Name	QTY	Remark
1	1009000093		Lithium battery 150Ah	1	Matching Curtis agreement
2	72001000446	QBA-02006	Floating frame limit washer	2	
3	22501200004	GB93	Standard spring washer 8	2	
4	22101600034	GB70.1	Screw M8×20	2	

## Electrical System - Instrument panel assembly



Index	Part No.	Drawing Number	Part Name	QTY	Remark
1	72002005339	QPA13021370101	Instrument desk	1	
2	11005000010		ammeter	1	Plumbic acid
	1100500000004		ammeter	1	Lithium battery
3	11006000002	P251340004	Key switch	1	Keys
4	11006000020	QDA12E-1340001	Scram switch	1	