

EKKO

MATERIAL HANDLING EQUIPMENT

MOVING **AHEAD**

COUNTERBALANCE STACKER EK07S

- Load Capacity 1550 lbs.
- Lift Height 118 in.
- Length 84.7 in.
- Forks 42 in.
- Curtis Controller
- Mast Height 81.1 in.
- Battery & Charger Included
- 3 Year Limited Warranty



EK07S

Superior quality, maneuverable, compact, and durable for all your material handling applications. Ideal for small aisles and areas.

WEIGHT CAPACITY: 1550 lbs. @ 20" load center

LIFT HEIGHT: 118" (9.8 ft.)

FORK LENGTH: 42"

MAST HEIGHT: 81"

TURNING RADIUS: 51"

INTERNAL BATTERY / CHARGER: 24V 120AH, 24-volt with internal direct connect 110A 110VAC plug-in automatic 24V/20A charger (both Included)

BRAKING: Electromagnetic Brakes

SPEED TRAVEL: 3.7 mph empty ; 3.5 mph loaded

LIFTING SPEED: 5.1 ips empty; 4 ips loaded

LOWERING SPEED: 4.7 ips empty; 5.3 ips loaded

DRIVE WHEELS: 7" x 2.5" Polyurethane

LOAD WHEELS: (2) 9.5" x 4.75" Polyurethane

HYDRAULICS LIFTING MOTOR: 24V 1500 Watt lifting motor with hardened chrome moly steel for durability.

DRIVE MOTOR: 24V 750 Watt AC drive motor for efficiency and high torque.

AC CONTROLLER: 24V Curtis provides performance through entire range of speed; Constant travel speed regardless of load; Battery discharge indicator combination gauge.

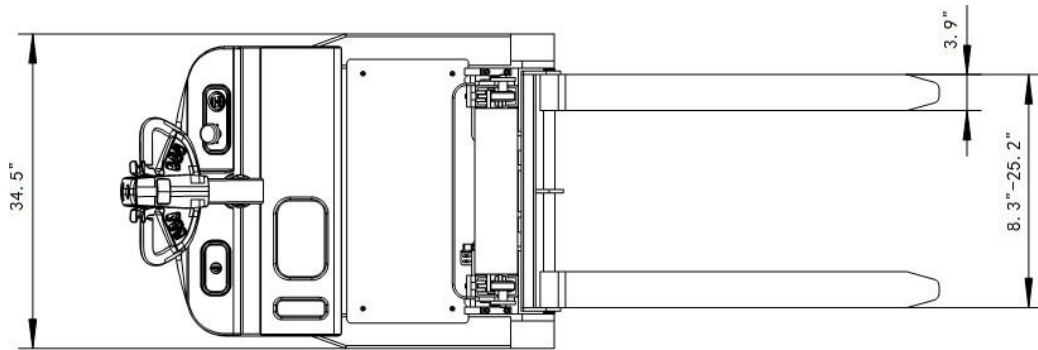
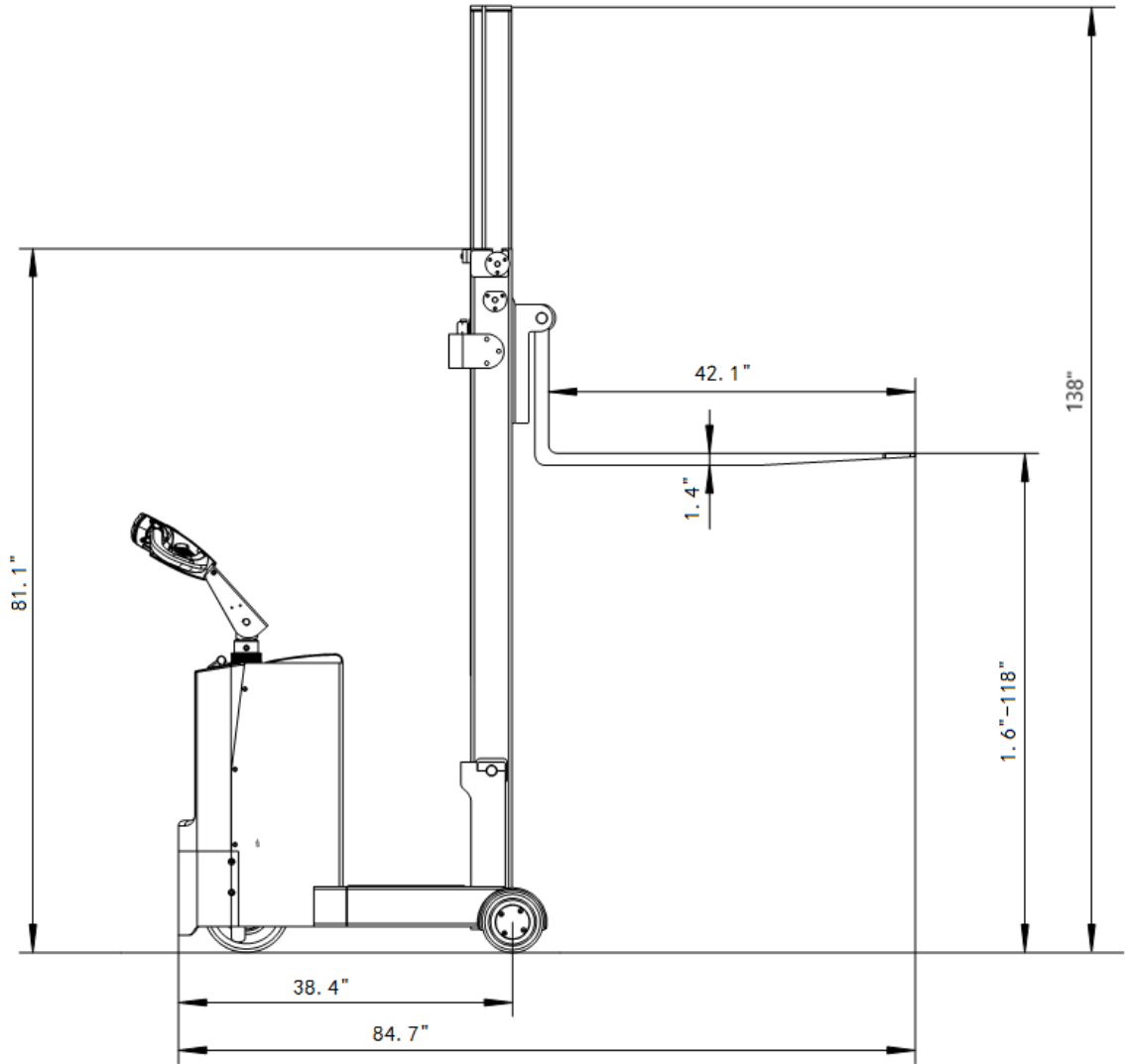
BRAKES: Electro-magnetic braking for secure stopping power; Electronic neutral braking for accurate control.

OPERATOR CONTROLS: lowering, lifting, horn functions are located in the ergonomic handle; belly button reverse safety feature allows the unit to stop and reverse to avoid collision or injury.

CHASSIS AND MAST: Robotic Welding; Heavy duty steel chassis with I-beam mast for durability; Telescoping mast.



Counterbalance Stacker



MODEL #	MAST	LIFT HEIGHT	MAX MAST HEIGHT	TOTAL LENGTH	SERVICE WEIGHT
EK07S	81.1	118"	138"	84.7"	2090