

# EKKO

MATERIAL HANDLING EQUIPMENT

**MOVING AHEAD**

## 4-WHEEL ELECTRIC FORKLIFT LITHIUM SERIES

**EK18G-LI**

**EK18G-212LI**

- Load Capacity 4000 lbs.
- Lift Height 189-212 in.
- **Side Shift**
- Free Lift
- Hydraulic Steering
- ZAPI Controller
- Tilt
- Fork Length 42"
- Li-Iron Batteries
- 3-Phase 480V Charger  
(optional 220V & 110V)
- 3 Year Limited Warranty



## **EK18G-LI & EK18G-212LI LITHIUM POWERED FORKLIFT**

**Superior quality, maneuverable, compact, and durable for all your material handling applications. Ideal for small aisles and areas.**

**WEIGHT CAPACITY:** 4500-7000 lbs. @ 20" load center

**LIFT HEIGHT:** 189-212"

**FORKS:** 42"

**MAST HEIGHT:** 83-94.5"

**TURNING RADIUS:** 84.2"-87.9"

**FREE LIFT:** 40.94"-54.9"

**SIDE SHIFT – 3 Way Valve**

**BATTERY & CHARGER:** 80V/202-250Ah Lithium Battery with 2 hour fast charge. 3-Phase 480V standard, optional 220V & 110V chargers available.

**SPEED TRAVEL:** Unloaded 9.3 MPH/Loaded 9MPH.

**LIFTING SPEED:** 17.3 ips empty; 11.4-12.5 ips loaded

**LOWERING SPEED:** 14.1-15.7 ips empty; 15.7-18.1 ips loaded

**WHEELS:** Solid Pneumatic

**ZAPI Controller**

**AC Drive Motor:**

**BRAKES:** Drum Brakes with Electro-magnetic braking for secure stopping power; Electronic neutral braking for accurate control.

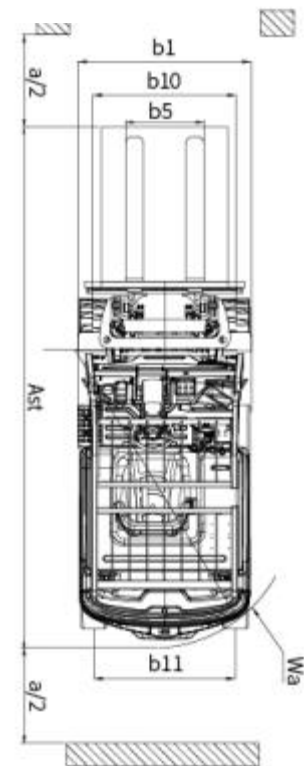
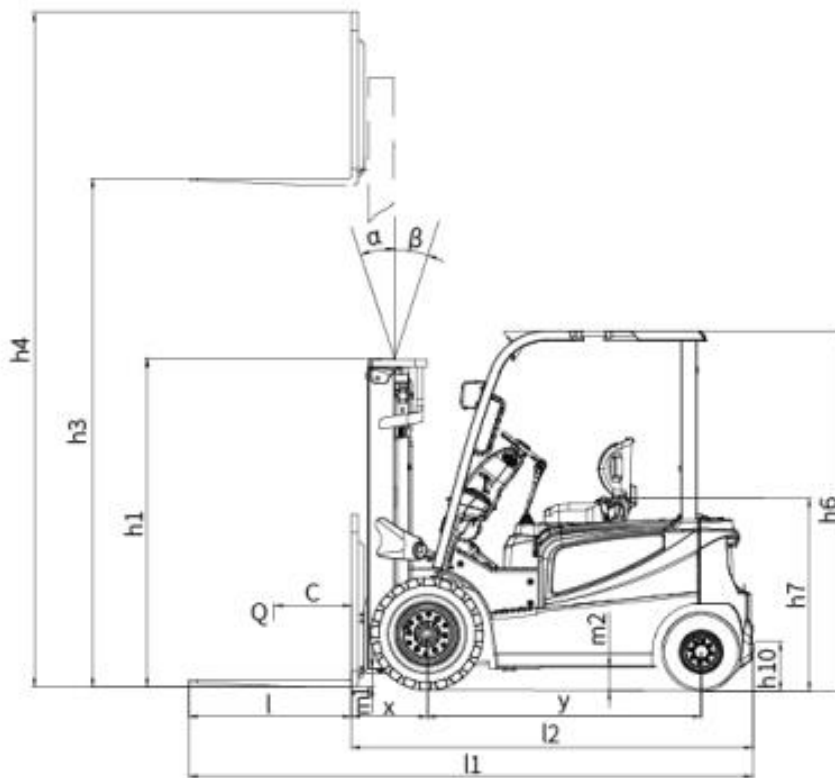
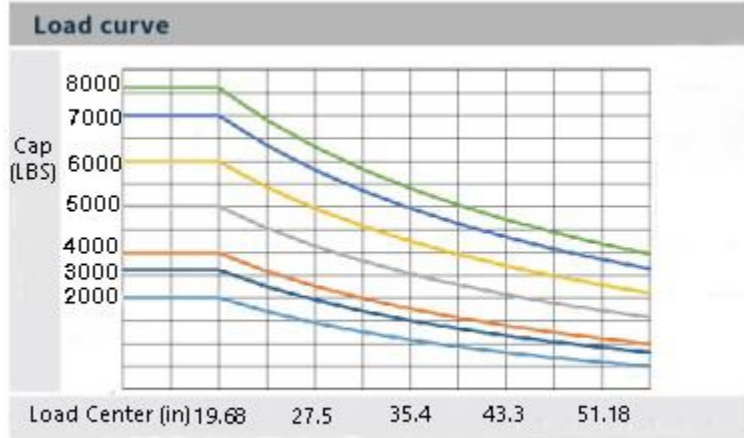
**LIGHTING:** LED Headlights, rear lights Brake lights, strobe light and backup alarm.

**OPERATOR CONTROLS:** EPS (Electric Power Steering), tilt lifting, lowering, side shifting forks, horn functions are in the ergonomic sit down; Led lighting. Battery Discharge indicator and travel speed Odometer

**CHASSIS AND MAST:** Robotic Welding; Heavy duty steel chassis with I-beam mast for durability; Telescoping mast.



# 4-Wheel Lithium Forklift



MODEL #	CAPACITY	LIFT HEIGHT	FREE LIFT	TOTAL LENGTH	SERVICE WEIGHT
EK18G-LI	4000 LBS.	189"	47.48"	133"	9,200 LBS.
EK18G-212LI	4000 LBS.	212"	47.48"	133"	9,330 LBS.



1761 W. Holt Ave.  
 Pomona, CA 91768 USA  
 T: (877) 232-6517 F: (909) 222-6861

AUTHORIZED DEALERS ONLY  
[www.ekkolifts.com](http://www.ekkolifts.com)