



Parts Manual  
EK50LP ;10K Series  
Liquid Propane Forklift  
with Pattern Cushion Tires.

## Foreword

Thank you for selecting a truck designed and manufactured by EKKO Material Handling Equipment. The manual is an integral part of the truck. Please keep it and other technical documents well during the life cycle of the truck and operate the truck according to instructions.

When you replace parts or components, please apply the real goods made by our company to ensure the truck's quality. The parts of this product will be improved in the later stage, you can get the latest information from the company's sales and support teams.

We reserve the right to modify the catalogue for improvement without notice.

## INSTRUCTION FOR PARTS MANUAL

### Abbreviations in the CATALOGUE:

ASS'Y	Assembly
R.H.	Right
L.H.	Left
H.P.	High pressure
L.P.	Low pressure
M	Basic type
ZM	Two-stage free lifting
ZSM	Three-stage free lifting
ZFM	Four-stage free lifting
Metric	Parts made for common forklift trucks markets
SAE	Special parts made for the forklift trucks exported to US and Canada
AR	As required

### Terms instructions:

Metric:Parts made for common forklift trucks markets

SAE:Special parts made for the forklift trucks exported to US and Canada

### Signs instructions:

☆	It means when you purchasing this part, please consult local dealer/agent.
Figure number with "DB"	It is for the package sold as a unit,It is for selling as a unit.
Steering axle assembly with "-X"	It refers to steering axle without cushions and support bracket.
Figure number of filter with "X"	It refers to the filter core of the filter.
Figure number with "XLB"	It refers to the repair kits for the part.

# EK50LP ;10K Series Liquid Propane Forklift with Pattern Cushion Tires





序号 No.	零部件代号 Part No.	版本 Edition	名称 Part name		数量 Q'ty	备注 Remark	
1	H38L1-00001	01	Engine setting	发动机安装	1		
2	H38L2-00001	01	Air intake system	进气系统	1		
3	H38L2-30001	01	Exhaust system	排气系统	1		
4	H36L2-10001	01	Cooling system	冷却系统	1		
5	H38L2-20001	01	LPG system	液化气系统	1		
6	HRH36L2401	00	Electrical system	电气系统	1		
7	HY933-30001	01	Transmission system accessories	传动系统附件类	1		
8	HY932-50001	00	5t Transmission	5t 变速箱	1		
9	HY933-00011	01	Wet type drive axle ass'y	5t 小轴距湿式桥总成	1		
10	HY934-40001	01	Front wheel assembly	前轮总成	2		
11	HRH38L4301-HL	01	Rear wheel	后轮总成	2		
12	HY934-10001	00	Steering system	转向系统	1		
13	HRH38L4301	01	Steering axle	转向桥总成	1		
14	H3HL5-60001	02	Electronic throttle mount	电子油门安装	1		
15	HY935-40001	01	Brake & Inching device	行车制动与微动总成	1		
16	HY935-40501	01	Brake piping system	行车制动管路系统	1		
17	HY935-50001	00	Brake lever	停车制动装置	1		
18	HY936-10011	00	Frame	车架 (二)	1		
19	H38L6-40001	02	Hood	机罩类	1		
20	H38L6-50001	00	Floor class	地板类	1		
21	HRH36L6301	00	Counter weight assembly	平衡重总成	1		
22	HRG0DP6801	00	Seat	座椅类	1		
23	H36L7-60001	00	Hydraulic pipeline system	液压管路系统	1		
24	HRHY937401-1	01	Valve control linkage	阀操纵总成(二片阀)	1	Two piece valve	二片阀
25	HRHY937401-2	01	Valve control linkage	阀操纵总成(三片阀)	1	Three piece valve	三片阀
26	HRHY937401-3	01	Valve control linkage	阀操纵总成(四片阀)	1	Four piece valve	四片阀
27	H38L5-10001	01	Roof guard assembly	护顶架总成	1		
28	H2MD5-11001	03	Backup,mirror	后视镜安装总成	1		
29	HRDY938001	00	Lifting system(normal mast)	起重系统(M)	1	Normal mast	基本型
30	HRDH4Q8001	00	Lifting system(full free 3-stage mast)	起重系统(ZSM)	1	Full free 3-stage mast	三级全自由
31	HRDY938501	01	Tilt cylinder	倾斜油缸	2		

序号 No.	零部件代号 Part No.	版本 Edition	名称 Part name		数量 Q'ty	备注 Remark	
1	H38L1-00001	01	Engine setting	发动机安装	1		
2	H38L2-00001	01	Air intake system	进气系统	1		
3	H38L2-30001	01	Exhaust system	排气系统	1		
4	H36L2-10001	01	Cooling system	冷却系统	1		
5	H38L2-20001	01	LPG system	液化气系统	1		
6	HRH36L2401	00	Electrical system	电气系统	1		
7	HY933-30001	01	Transmission system accessories	传动系统附件类	1		
8	HY932-50001	00	5t Transmission	5t 变速箱	1		
9	HY933-00011	01	Wet type drive axle ass'y	5t 小轴距湿式桥总成	1		
10	HY934-40001	01	Front wheel assembly	前轮总成	2		
11	HRH38L4301-HL	01	Rear wheel	后轮总成	2		
12	HY934-10001	00	Steering system	转向系统	1		
13	HRH38L4301	01	Steering axle	转向桥总成	1		
14	H3HL5-60001	02	Electronic throttle mount	电子油门安装	1		
15	HY935-40001	01	Brake & Inching device	行车制动与微动总成	1		
16	HY935-40501	01	Brake piping system	行车制动管路系统	1		
17	HY935-50001	00	Brake lever	停车制动装置	1		
18	HY936-10011	00	Frame	车架 (二)	1		
19	H38L6-40001	02	Hood	机罩类	1		
20	H38L6-50001	00	Floor class	底板类	1		
21	HRH36L6301	00	Counter weight assembly	平衡重总成	1		
22	HRG0DP6801	00	Seat	座椅类	1		
23	H36L7-60001	00	Hydraulic pipeline system	液压管路系统	1		
24	HRHY937401-1	01	Valve control linkage	阀操纵总成(二片阀)	1	Two piece valve	二片阀
25	HRHY937401-2	01	Valve control linkage	阀操纵总成(三片阀)	1	Three piece valve	三片阀
26	HRHY937401-3	01	Valve control linkage	阀操纵总成(四片阀)	1	Four piece valve	四片阀
27	H38L5-10001	01	Roof guard assembly	护顶架总成	1		
28	H2MD5-11001	03	Backup,mirror	后视镜安装总成	1		
29	HRDY938001	00	Lifting system(normal mast)	起重系统(M)	1	Normal mast	基本型
30	HRDH4Q8001	00	Lifting system(full free 3-stage mast)	起重系统(ZSM)	1	Full free 3-stage mast	三级全自由
31	HRDY938501	01	Tilt cylinder	倾斜油缸	2		

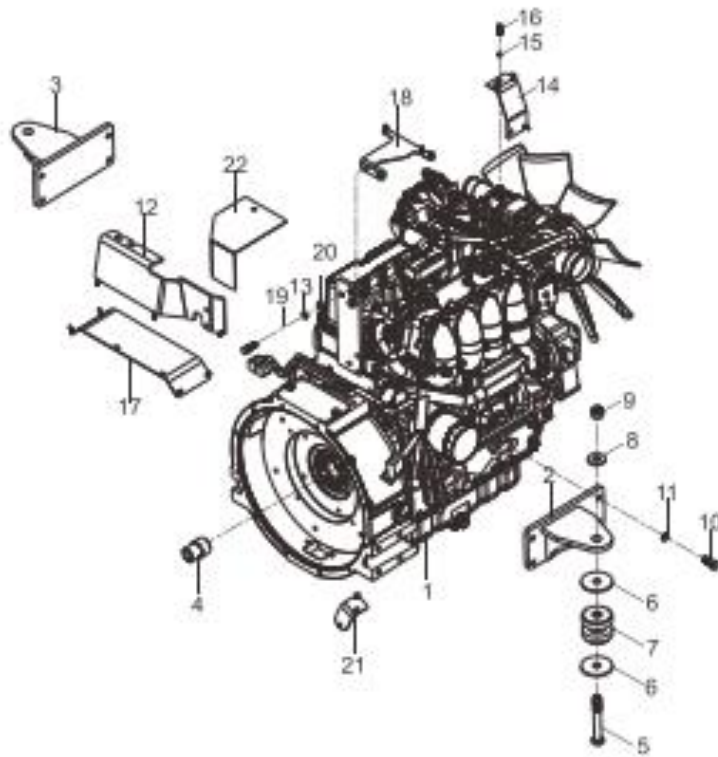
# EK50LP ;10K Series Liquid Propane Forklift with Pattern Cushion Tires



序号 No.	零部件代号 Part No.	版本 Edition	名称 Part name		数量 Q'ty	备注 Remark	
32	HRD01D8101	01	Fork	货叉总成	2		
33	HY939-10001	00	Signs, paint layout (USA)	标牌、油漆布置图 (美国)	1		
34	HRD0CP8802	00	Hose pulley block (M,SAE)	胶管滑轮组(M,美制)	1	Normal mast	基本型
35	HRDH4Q8801	00	Hose pulley block	胶管滑轮组(ZSM,美制)	1	Full free 3-stage mast	三级全自由

H38L1-00001 01 Engine setting

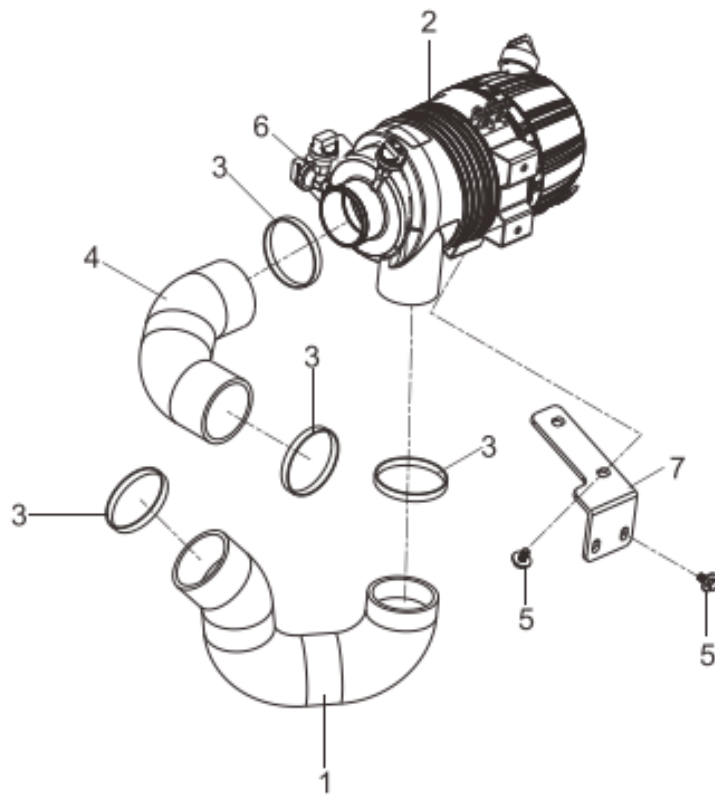
H38L1-00001 01 发动机安装



序号 No.	零部件代号 Part No.	版本 Edition	名称 Part name		数量 Q'ty	备注 Remark	
1	H3U21-00101	02	Kubota WG3800 engine (certified single fuel)	久保田 WG3800 发动机 (认证型单燃料)	1		
2	H38L1-00211	00	Engine leg	发动机支脚 (左)	1		
3	H38L1-00221	00	Engine leg	发动机支脚 (右)	1		
4	G41J1-02021	01	Sleeve	轴套	1		
5	B0230-16120	00	Bolt M16x120	螺栓 M16x120	2	GB5782-86	GB5782-86
6	K34V1-02031	00	Washer	垫圈	4		
7	H3JC1-00201	00	Shock absorber assembly	减震组件	2		
8	H3A11-02161	00	Washer	垫片	2		
9	B7720-00016	00	Nut	螺母 M16	2	GB889-86	GB889-86
10	B0530-12030	00	Bolt	螺栓 M12x1.25x30	8	GB5786-86	GB5786-86
11	B5050-00012	00	Washer	垫圈 12	8	GB93-87	GB93-87
12	H38L1-00241	01	Bracket ass'y	支架总成	1		
13	B5050-00010	00	Washer	垫圈 10	2	GB93-87	GB93-87
14	K34V2-20401	00	Pipeline support 3	管路支架 3	1		
15	B5050-00006	00	Washer,lock	垫圈 6	2	GB93-87	GB93-87
16	B0330-06020	00	Bolt	螺栓 M6x20	2	GB5783-86	GB5783-86
17	H38L1-00301	00	Wire harness fixing plate assembly	线束固定板总成	1		
18	H3V42-20201	01	Piping bracket	管路支架总成	1		
19	B0330-10030	00	Bolt	螺栓 M10x30	2	GB5783-86	GB5783-86
20	B5310-00010	00	Washer	垫圈 10	2	GB97.1-85	GB97.1-85
21	G46U6-10331	01	Bracket	电瓶引线支架总成(二)	1		
22	H38L1-00231	00	Heat shield assembly	隔热罩总成	1		

**H38L2-00001 01 Air intake system**

**H38L2-00001 01 进气系统**

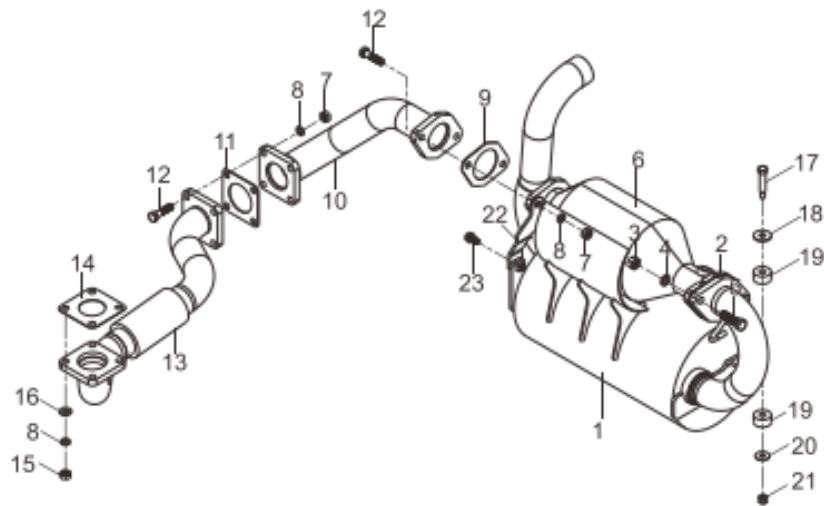






**H38L2-30001 01 Exhaust system**

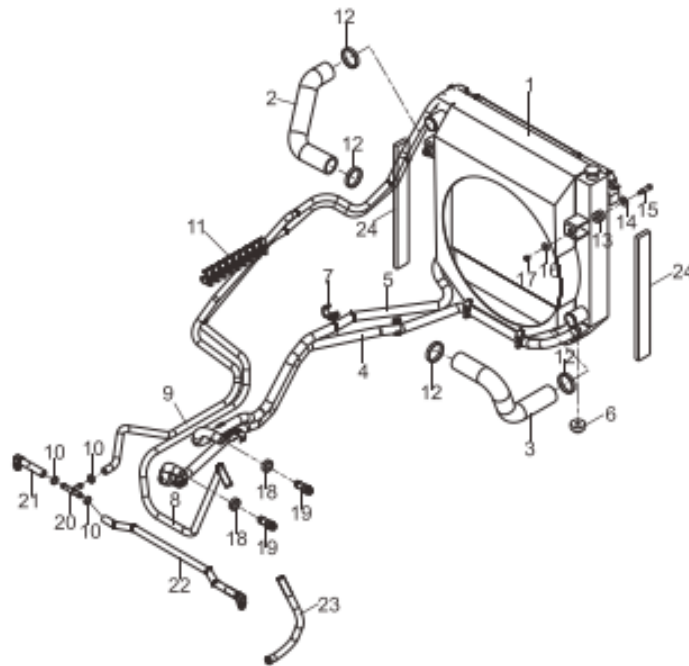
**H38L2-30001 01 排气系统**



H38L2-30001 01 Exhaust system							
H38L2-30001 01 排气系统							
序号 No.	零部件代号 Part No.	版本 Edition	名称 Part name		数量 Q'ty	备注 Remark	
1	H38L2-30301	00	Muffler	消声器总成	1		
2	H3V42-32001	00	Three way catalyst gasket	三元催化器密封垫 1	1		
3	B4123-00012	00	Nut	螺母 M12	2	GB6170-86	GB6170-86
4	B5050-00012	00	Washer	垫圈 12	2	GB93-87	GB93-87
5	B0330-12040	00	Bolt	螺栓 M12x40	2	GB5783-86	GB5783-86
6	H3V42-32031	00	Three way catalytic converter	三元催化器	1		
7	B4123-00010	00	Nut	螺母 M10	6	GB6170-86	GB6170-86
8	B5050-00010	00	Washer	垫圈 10	10	GB93-87	GB93-87
9	H3V42-32011	00	Three way catalyst gasket	三元催化器密封垫 2	1		
10	H38L2-30201	00	Steel tube assembly	接管总成	1		
11	H3V42-32021	00	Nozzle gasket	接管密封垫	1		
12	B0230-10040	00	Bolt	螺栓 M10x40	6	GB5782-86	GB5782-86
13	H38L2-30101	00	Front vent assembly	前排气管总成	1		
14	K34V2-32021	00	Parking,seal	密封垫	1		
15	B4130-00010	00	Nut	螺母 M10	4	GB6170-86	GB6170-86
16	B5310-00010	00	Washer	垫圈 10	4	GB97.1-85	GB97.1-85
17	A22A2-32021	01	Bolt	螺栓	2		
18	B5210-00010	00	Washer	垫圈 10	2	GB96-85	GB96-85
19	22252-32241	01	Rubber	橡胶垫	4		
20	B5210-00008	00	Washer	垫圈 8	2	GB96-85	GB96-85
21	B7720-00008	00	Nut	螺母 M8	2	GB889-86	GB889-86
22	H38L2-32041	00	Support	支架	1		
23	B0330-08020-X	00	Combined bolt	组合螺栓 M8x20	1	GB/T 9074.17-88	GB/T 9074.17-88

**H36L2-10001 01 Cooling system**

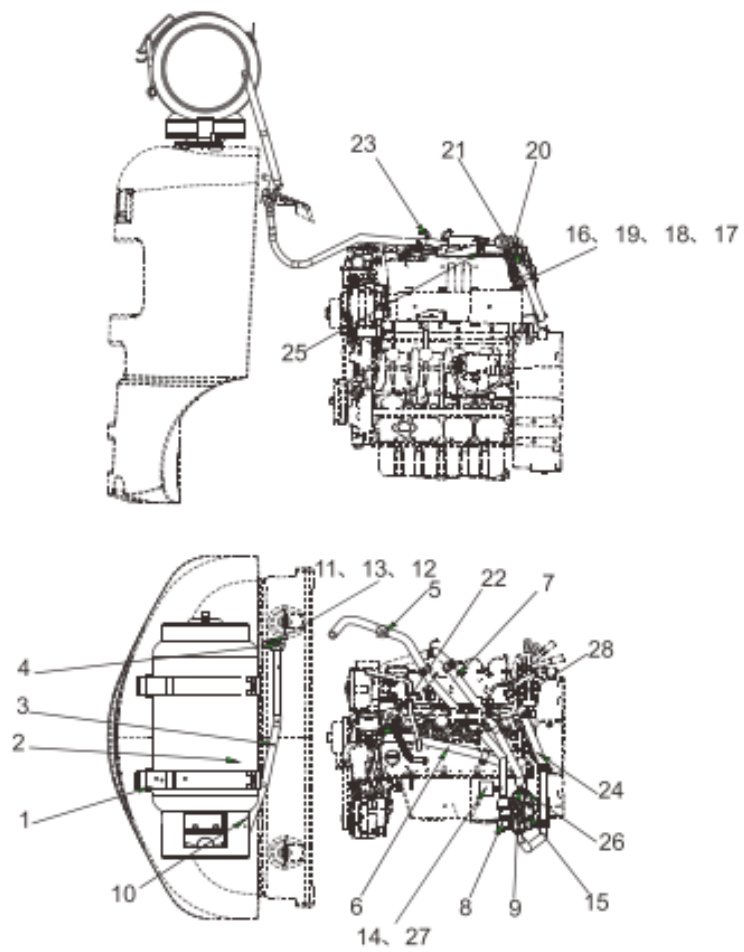
**H36L2-10001 01 冷却系统**



H36L2-10001 01 Cooling system						
H36L2-10001 01 冷却系统						
序号 No.	零部件代号 Part No.	版本 Edition	名称 Part name		数量 Q'ty	备注 Remark
1	H36L2-10101	00	Radiator assembly	散热器	1	
2	H38L2-12001	00	Upper hose	上水管	1	
3	H38L2-12011	00	Downcomer	下水管	1	
4	H38L2-12021	00	Pipeline 1	油管 1	1	
5	H38L2-12031	01	Pipeline 2	油管 2	1	
6	A22A2-12001	01	Rubber	橡胶垫	2	
7	D03XK2628	00	Clip	线束固定卡(Φ26-Φ28)	8	
8	Z7301-13305	00	Low pressure hose	低压胶管Φ13×3050	1	
9	Z7301-13280	00	Oil pipe	油管Φ13×2800	1	
10	Z4503-12022	00	Clip	喉箍 12~22	10	
11	D03XK2123	00	Support	线束固定卡	9	
12	Z4592-40060	00	Clamp	德式喉箍 40-60	4	
13	A22A2-12031	01	Rubber	橡胶垫	2	
14	B5210-00010	00	Washer	垫圈 10	2	GB96-85
15	A22A2-12041	04	Bolt	螺栓	2	
16	B5210-00008	00	Washer	垫圈 8	2	GB96-85
17	B7720-00008	00	Nut	螺母 M8	2	GB889-86
18	Z4592-20032	00	Clamp	德式喉箍 20-32	4	
19	JT8021-34141	00	Straight joint	直通接头	2	
20	23679-45051G	00	Three-way	尼龙三通	1	
21	Z7301-13012	00	Low pressure hose	低压胶管Φ13×120	1	
22	Z7301-13060	00	Low pressure hose	低压胶管Φ13×600	1	
23	Z7301-13040	00	Low pressure hose	低压胶管Φ13×400	1	
24	H38L2-12101	00	Parking,seal	密封垫	2	

**H38L2-20001 01 LPG system**

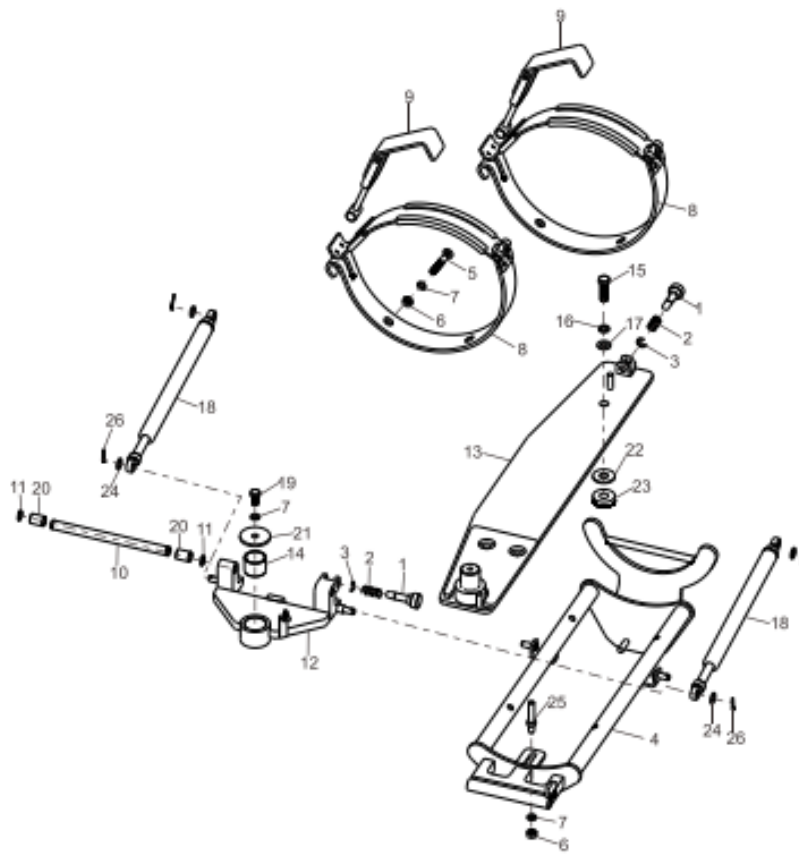
**H38L2-20001 01 液化气系统**



H38L2-20001 01 LPG system							
H38L2-20001 01 液化气系统							
序号 No.	零部件代号 Part No.	版本 Edition	名称 Part name		数量 Q'ty	备注 Remark	
1	GY392-20201	02	Rolling & tilt LPG cylinder bracket(with imported LPG cylinder )	旋转侧翻式钢瓶支架(配进口钢瓶)	1		
2	A2YQ2-20511	03	Cylinder assemblies and joints(Standard configuration of export vehicles)	钢瓶总成及接头(出口车标配)	1	Optional ,HR GY392201	选配,HRGY392201
3	HA100-47.2W	00	Cylinder high pressure hose	钢瓶高压胶管	1		
4	HY252-20201	00	Three way	三通接头	1		
5	HA100-39.3W (UL)	00	High pressure hose	气化器高压胶管	1		
6	H736 (UL)	00	Low pressure fuel pipe	低压燃料管	1		
7	H730B-38.2	00	Water pipe	水管	1		
8	EG52346951	00	Globe valve	截止阀	1		
9	EG52546961	00	Connector	水路接头	2		
10	7141F	00	Bus quick change connector	母快换接头	1		
11	3125L?	00	Valve	安全阀	1		
12	48x6UL	00	Joint	接头	1		
13	54x6UL	00	Joint	接头	2		
14	HK2S2-20101	00	LPG low level alarm device	液化气低液位报警装置	1		
15	EG52346924	00	Carburetor	汽化器	1		
16	B0230-06035	00	Bolt	螺栓 M6x35	2		
17	A22A4-12121	01	Bowl shape washer	碗形垫圈	2	GB5782-86	GB5782-86
18	A22A4-12111	00	Spacer	套管	2		
19	A22A4-12101	00	Rubber	橡胶套	2		
20	21409	00	Connector	90度连接接头	1		
21	Z4592-19029	00	Clamp 19~29	德式喉箍 19~29	4		
22	Z4592-20032	00	Clamp	德式喉箍 20-32	2		
23	D03XK2628	00	Clip	线束固定卡(Φ26-Φ28)	5		
24	H730B-33.5	00	Water pipe	水管	1		
25	D03XK3133	00	Clip	线束固定卡(Φ31-Φ33)	1		
26	H2MS2-23021	00	Copper joint	铜质接头	1		
27	HK2S2-20101-2	00	Rubber sleeve	橡胶护套	1		
28	H38L1-00251	01	Pipe clamp support assembly	管卡支架总成	1		

**GY392-20201 03 Rolling & tilt LPG cylinder bracket(with imported LPG cylinder )**

**GY392-20201 03 旋转侧翻式钢瓶支架(配进口钢瓶)**

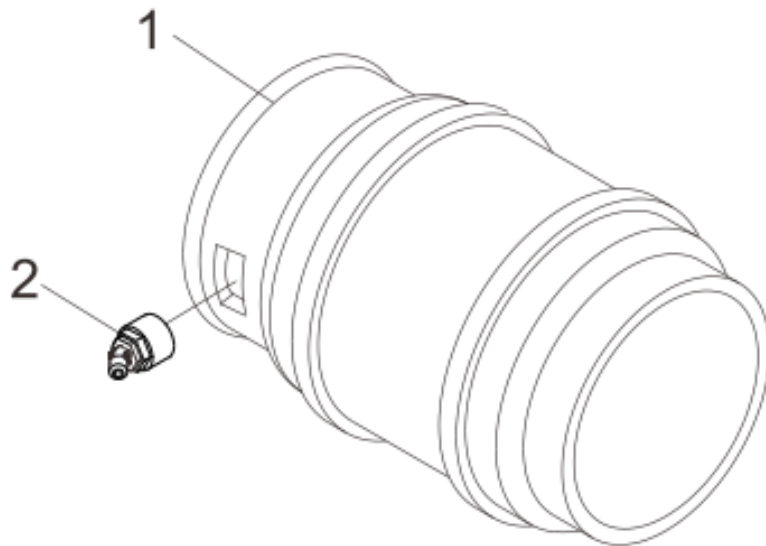


GY392-20201 03 Rolling & tilt LPG cylinder bracket(with imported LPG cylinder )							
GY392-20201 03 旋转侧翻式钢瓶支架(配进口钢瓶)							
序号 No.	零部件代号 Part No.	版本 Edition	名称 Part name		数量 Q'ty	备注 Remark	
1	GY392-22131	00	Knob,lever	手柄	2		
2	GY392-22191	01	Spring	弹簧	2		
3	B6250-00009	00	Snap ring 9	挡圈 9	2	GB896-86	GB896-86
4	GY392-20241	03	Reverse rack	翻转架	1		
5	B1310-10060	00	Screw M10x60GB819-85	螺钉 M10x60GB819-85	4	GB819-85	GB819-85
6	B4123-00010	00	Nut	螺母 M10	5	GB6170-86	GB6170-86
7	B5050-00010	00	Washer	垫圈 10	6	GB93-87	GB93-87
8	GY392-20501	04	Band assembly	箍体总成	2	with imported cylinders	配进口钢瓶
9	GY392-20401	03	Rotary buckler	翻转扣	2		
10	GY392-22161	01	Shaft	转轴	1		
11	B6150-00016	00	Snap ring 16	挡圈 16	2	GB894.1-86	GB894.1-86
12	GY392-20221	03	Swivel mount	旋转架	1		
13	GY392-20231	04	Seat, valve	底座	1		
14	Z2133-03530	00	Bushing 3530	钢背轴承 3530	1	Q/AC40001-2002	Q/AC40001-2002
15	B0330-12040	00	Bolt	螺栓 M12x40	3	GB5783-86	GB5783-86
16	B5050-00012	00	Washer	垫圈 12	3	GB93-87	GB93-87
17	B5310-00012	00	Washer	垫圈 12	3	GB97.1-85	GB97.1-85
18	GY392-22201	01	Gas spring	气弹簧	2		
19	B0330-10020	00	Bolt	螺栓 M10x20	1	GB5783-86	GB5783-86
20	Z2131-01625	00	Bushing	钢背轴承 16x25	2	Q/AC40001-2002	Q/AC40001-2002
21	GY392-22241	00	Flat pad	平垫	1		
22	A2YK0-23131	03	Shim	垫	3		
23	A2YK0-23141	02	Plastic adjusting pad	塑料调整垫	3		
24	B5310-00010	00	Washer	垫圈 10	4	GB97.1-85	GB97.1-85
25	GY392-22391	00	Pin	定位销	1		
26	B3010-02020	00	Pin	销 2x20	4	GB91-86	GB91-86



**A2YQ2-20511 03 Cylinder assemblies and joints(Standard configuration of export vehicles)**

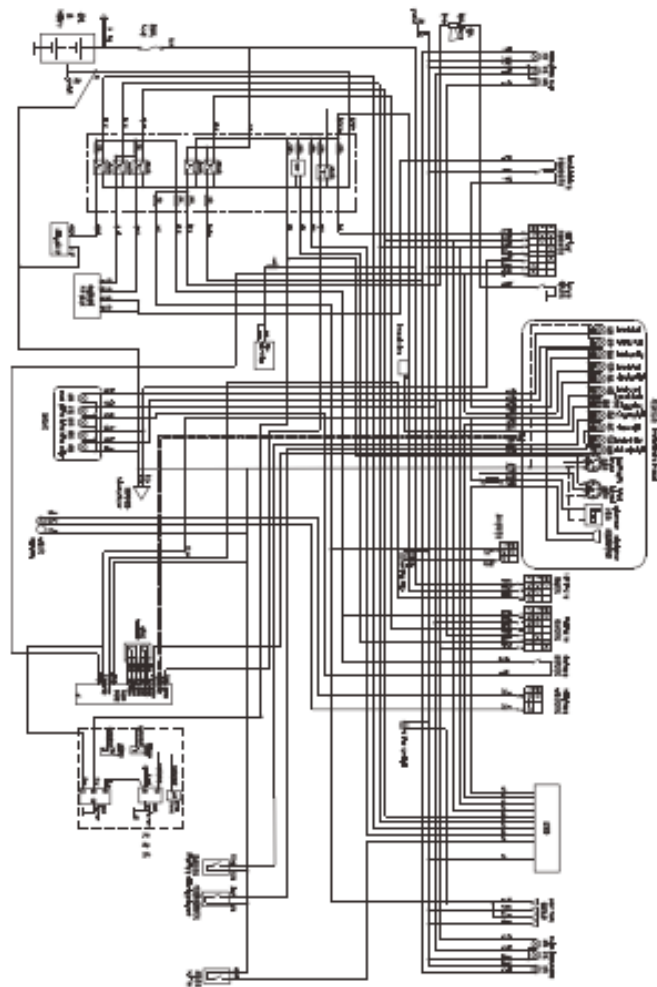
**A2YQ2-20511 03 钢瓶总成及接头(出口车标配)**



A2YQ2-20511 03 Cylinder assemblies and joints(Standard configuration of export vehicles)						
A2YQ2-20511 03 钢瓶总成及接头(出口车标配)						
序号 No.	零部件代号 Part No.	版本 Edition	名称 Part name		数量 Q'ty	备注 Remark
1	Y-5580	01	Cylinder assembly	钢瓶总成	1	
2	A2YA0-00301	00	Connector	LPG 充气接头	1	

**HRH36L2401 01 Electrical system**

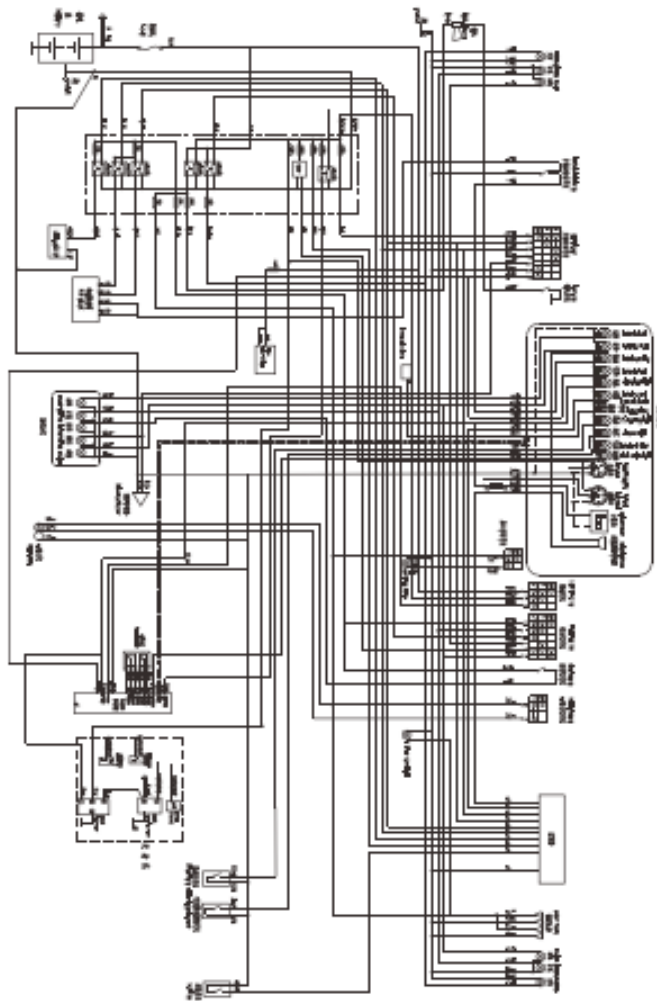
**HRH36L2401 01 电气系统**



HRH36L2401 01 Electrical system						
HRH36L2401 01 电气系统						
序号 No.	零部件代号 Part No.	版本 Edition	名称 Part name		数量 Q'ty	备注 Remark
1	A6V92-40361	01	Front lamp	LED 前小灯	2	
2	D08HLQZD	00	Work lamp	LED 工作灯	2	
3	K3DC2-40902	01	Wiring harness,overhead guard	护顶架线束	2	
4	D09JK803HL	01	Switch	双手柄组合开关	1	
5	Z8710-04110	01	Key switch JK411	启动开关 JK411	1	
5	Z8710-04110T	00	Key switch	启动开关	1	Current key 通用钥匙
5	Z8710-04110T-4	00	Key switch	启动开关	1	Current key 通用钥匙
6	A22A2-40260-2	06	Rubber ring	出线胶圈	2	
7	G2KE2-43801	00	Dusty ring	防尘胶圈	1	For left rear leg 用于左后支腿
8	H24C2-40701	01	Dusty ring	防尘胶圈	4	
9	Z8500-1D124	01	Trumpet	喇叭	1	
10	B0330-08016	00	Bolt	螺栓 M8x16	1	GB5783-86 GB5783-86
11	B5050-00008	00	Washer	垫圈 8	1	GB93-87 GB93-87
12	D08HLHWD	01	Rear combination lamp	LED 后组合灯	2	
13	G0DP2-40141	01	USB port	USB 接口	1	
14	H36L2-40321	01	Wire harness,body	车身线束	1	
15	D06BX308	01	Fuse	熔断器总成	1	
15	D06BX304	00	Fuse	熔断器总成	1	
16	HY932-40401	01	Overhead guard harness, rear	后护顶架线束	1	
16	H36L2-43701	01	Wiring harness,overhead guard	护顶架线束	1	
17	H36L2-40011	00	Principle diagram	电气原理图	1	
18	A61S2-41301	06	Back buzzer	倒车蜂鸣器	1	
19	B1210-06016	00	Screw	螺钉 M6x16	9	GB818-85 GB818-85
20	B5050-00006	00	Washer,lock	垫圈 6	9	GB93-87 GB93-87
21	B5310-00006	00	Washer,lock	垫圈 6	9	GB97.1-85 GB97.1-85
22	B4123-00006	00	Nut	螺母 M6	1	GB6170-86 GB6170-86
23	D03DQH012B2M	00	Box	电器盒	1	
24	D03KZQ012	00	Controller	控制盒	1	
25	K3DC2-43001	01	Install alarm lamp	警示灯安装	1	
26	D09JK205B	01	Brake switch	脚制动开关	1	

**HRH36L2401 01 Electrical system**

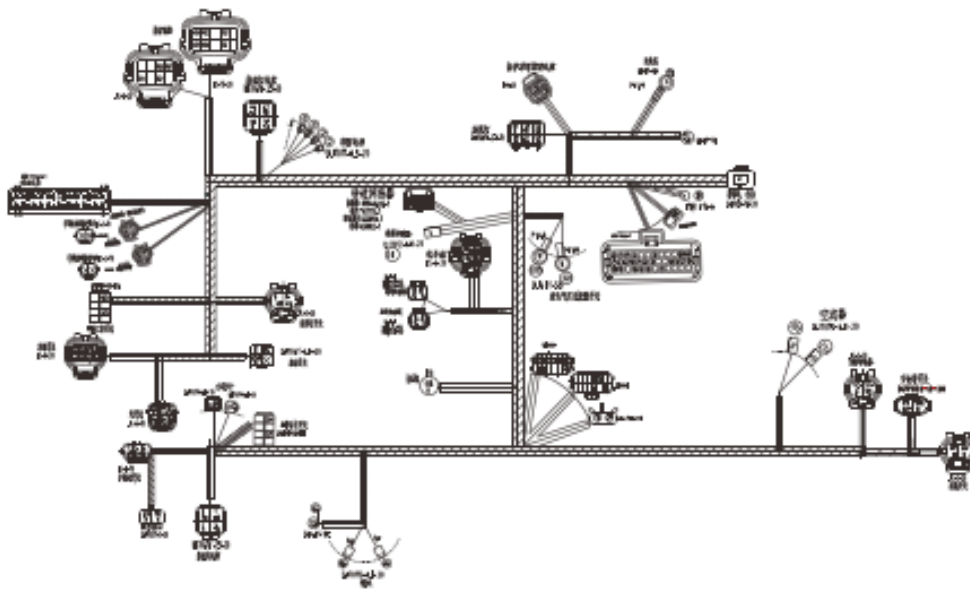
**HRH36L2401 01 电气系统**



HRH36L2401 01 Electrical system							
HRH36L2401 01 电气系统							
序号 No.	零部件代号 Part No.	版本 Edition	名称 Part name		数量 Q'ty	备注 Remark	
27	D016-QW-80	00	Battery	免维护电瓶	1		
28	H2MD2-41901	02	Astem handle mounting	倒车把手安装	1		
29	D04ZB173YTNA-XSG	00	Combination M/T(Metric)	组合仪表（公制仪表）	1		
29	D04ZB173YTNA-XSM	00	Combination M/T(SAE)	组合仪表（美制仪表）	1		
29	D04ZB173YAM	00	Combination M/T	组合仪表	1		
30	B1210-04012	00	Screw	螺钉 M4x12	4	GB818-85	GB818-85
31	B5050-00004	00	Washer	垫圈 4	4	GB93-87	GB93-87
32	B5323-00004	00	Washer	垫圈 4	4	GB97.1-85	GB97.1-85
33	H36L2-40831	00	Cable	电瓶引线 (+)	1		
34	H36L2-42821	00	Cable	电瓶引线 (-)	1		
35	K34V2-40761	00	Negative string wiring	负极串接线	1		
36	H24C2-42131	01	Belt	捆扎带	8		
37	Z9260-40200	01	Strapping band 4 x200	捆扎带 4x200	8		
38	D03XK0366	00	Support	线束固定卡	2		
39	D03XKQ352	01	Support	线束固定卡	2		
40	D03XK0367	00	Support	线束固定卡	3		
41	D03XK0612	00	Support	线束固定卡	4		
42	D03XK2123	00	Support	线束固定卡	5		
43	D03XK2628	00	Clip	线束固定卡(Φ26-Φ28)	7		
44	D03XK3133	00	Clip	线束固定卡(Φ31-Φ33)	7		
45	D08JGD-LEDB	00	Blue light	蓝光灯	1	Option	选用
46	K3DC2-41001	01	Rear work light mounting	后工作灯安装	1	Option	选用
47	K34V2-43801	00	Fuel flameout valve transition line	燃料熄火阀过渡线	1		

H36L2-40321 01 Wire harness,body

H36L2-40321 01 车身线束

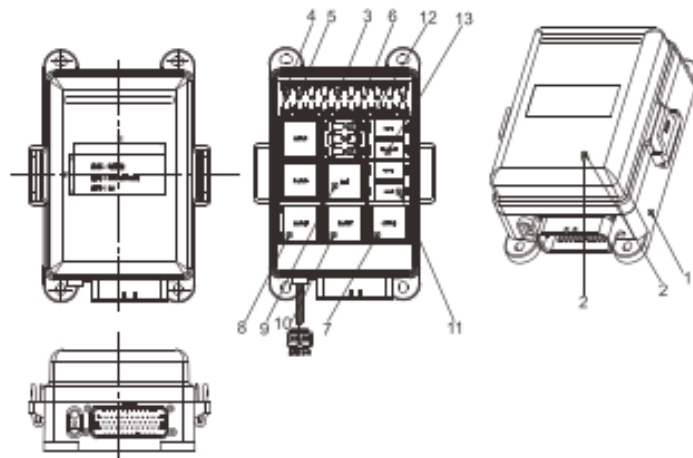






**D03DQH012B2M 00 Box**

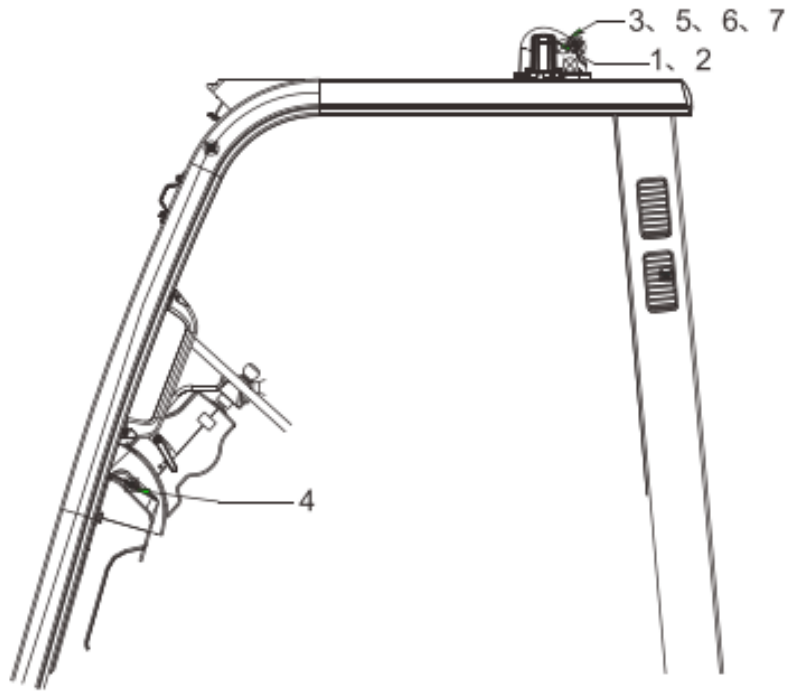
**D03DQH012B2M 00 电器盒**



D03DQH012B2M 00 Box						
D03DQH012B2M 00 电锁盒						
序号 No.	零部件代号 Part No.	版本 Edition	名称 Part name		数量 Q'ty	备注 Remark
1	D03DZZC-01	00	Seat	底座总成	1	
2	D03KTZC-01	00	Case	壳体总成	1	
3	D06BX-7.5A	00	Fuse	保险丝片	6	
4	D06BX-10A	00	Fuse	保险丝	3	
5	D06BX-15A	00	Fuse	保险片	2	
6	D06BX-20A	00	Fuse	保险片	1	
7	D07JD191-40A	00	Relay	40A 继电器	1	
8	D07JD191-70/80A	00	80A Relay	80A 继电器	3	
9	D07SG14143	00	Flasher	闪光灯	1	
10	D07HD4243-012-12S	00	Timer	定时器	1	
11	D07JD191-20A	00	Relay	继电器	3	
12	D06BX-30A	00	Fuse	保险片	1	
13	D07JD191-30A	00	30A Relay	30A 继电器	1	

**K3DC2-43001 01 Install alarm lamp**

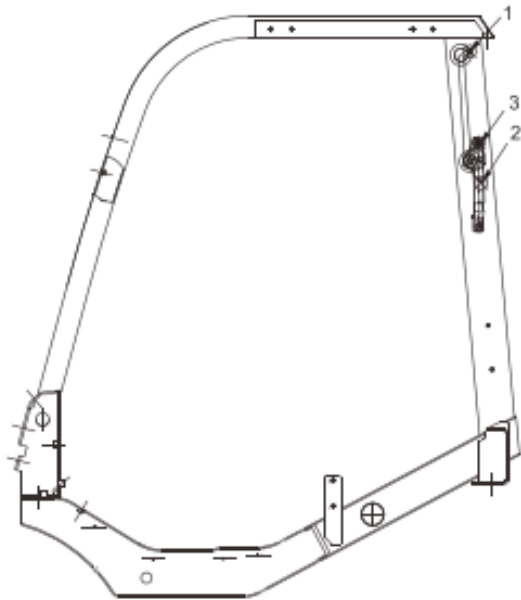
**K3DC2-43001 01 警示灯安装**



K3DC2-43001 01 Install alarm lamp							
K3DC2-43001 01 警示灯安装							
序号 No.	零部件代号 Part No.	版本 Edition	名称 Part name		数量 Q'ty	备注 Remark	
1	D08LEDXZFM	00	Rotating warning light with buzzer	LED 旋转蜂鸣警示灯	1	Rotating buzzer warning light	旋转蜂鸣式 警示灯
2	D08LEDXZ	00	Rotating warning light	LED 旋转警示灯	1	Rotating warning light	旋转警示灯
3	D08LEDSEG	00	Flash warning light	LED 闪光警示灯	1	Flashing warning light	闪光警示灯
4	D09JK937-080- 3.33	00	Switch	警示灯开关	1		
5	D08LEDXZ-LS	01	LED Rotating warning light	LED 旋转式警示灯	1	For truck entry	进箱车用
6	D08LEDSEG-LS	01	LED flashing warning light	LED 闪烁式警示灯	1	For truck entry	进箱车用

**H2MD2-41901 02 Astern handle mounting**

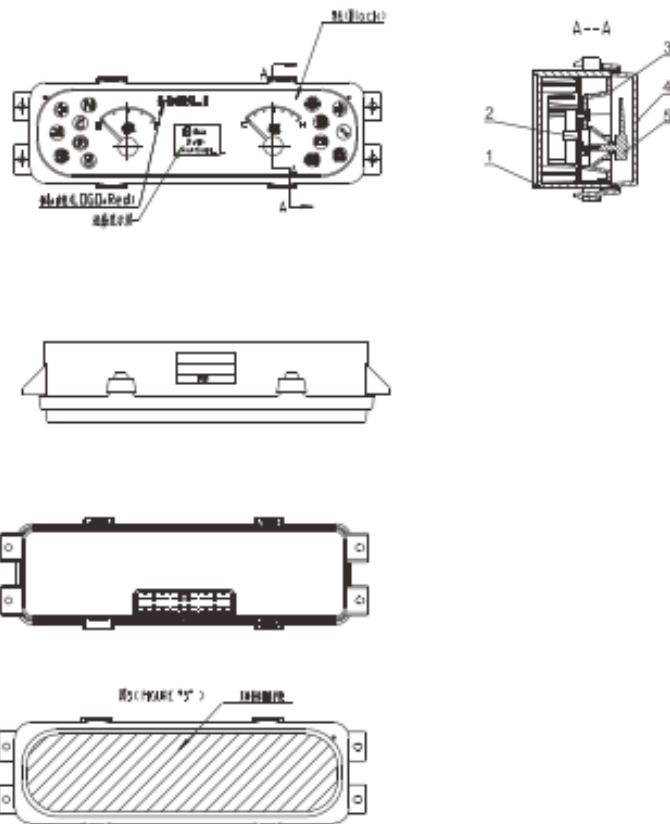
**H2MD2-41901 02 倒车把手安装**



H2MD2-41901 02 Astern handle mounting							
H2MD2-41901 02 倒车把手安装							
序号 No.	零部件代号 Part No.	版本 Edition	名称 Part name		数量 Q'ty	备注 Remark	
1	H24C2-40701	01	Dusty ring	防尘胶圈	2		
2	H2MD2-42902	00	Backward handle assembly	倒车把手总成	1		
3	B8030-08025	00	Screw M8x25	螺钉 M8x25	2	GB70-85	GB70-85

**D04ZB173YTNA-XSG 00 Combination M/T(Metric)**

**D04ZB173YTNA-XSG 00 组合仪表 (公制仪表)**

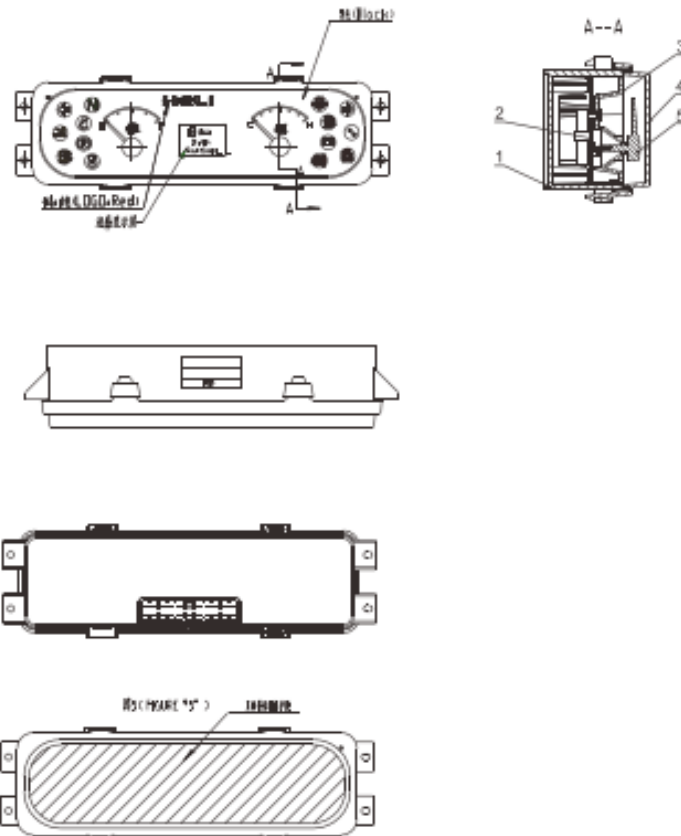


D04ZB173YTNA-XSG 00 Combination M/T(Metric)						
D04ZB173YTNA-XSG 00 组合仪表（公制仪表）						
序号 No.	零部件代号 Part No.	版本 Edition	名称 Part name		数量 Q'ty	备注 Remark
1	D04H110-1	00	Shuck	后壳	1	
2	D04H298.1	00	Board	印制板组合	1	
3	D04H298-1	00	Meter	表度盘（新H仪表用）	1	
4	D04H110-3	00	Cover	面罩	1	
5	D04H110-4A	00	Finger	指针	2	



**D04ZB173YTNA-XSM 00 Combination M/T(SAE)**

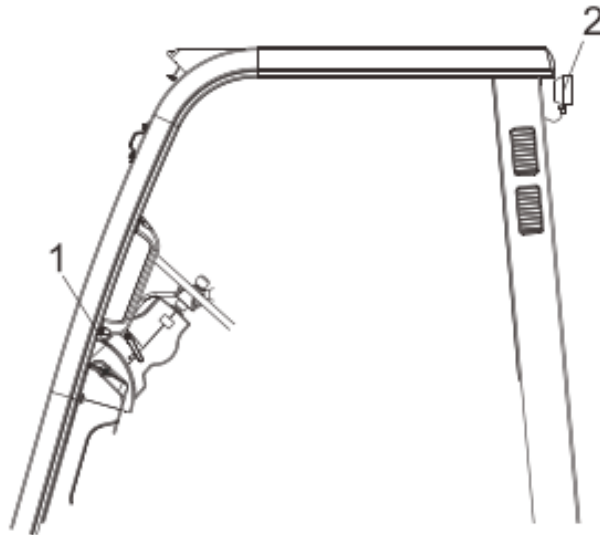
**D04ZB173YTNA-XSM 00 组合仪表 (美制仪表)**





**K3DC2-41001 01 Rear work light mounting**

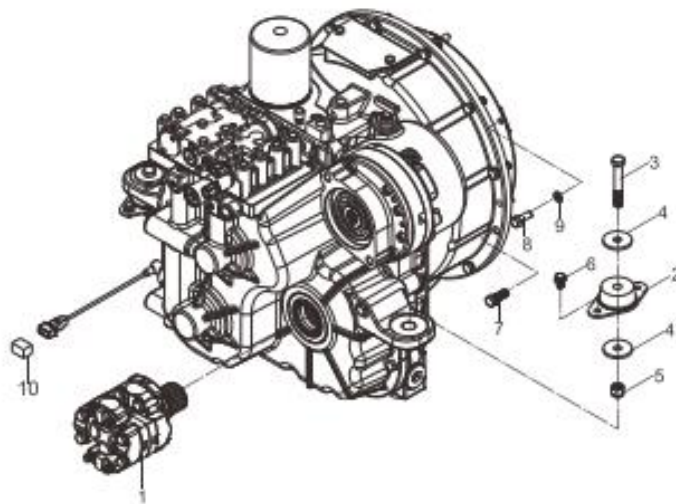
**K3DC2-41001 01 后工作灯安装**





**HY933-30001 02 Transmission system accessories**

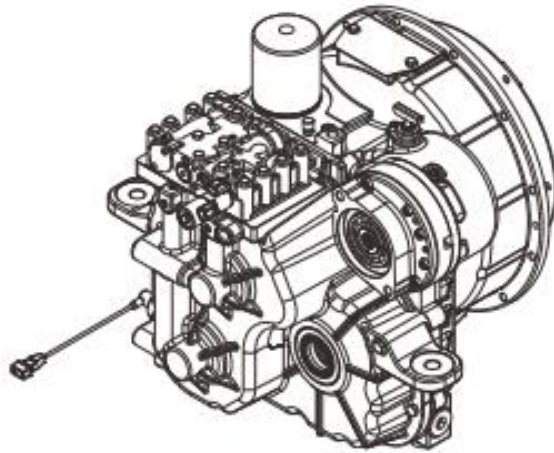
**HY933-30001 02 传动系统附件类**





**HY932-50001 00 5t Transmission**

**HY932-50001 00 5t 变速箱**

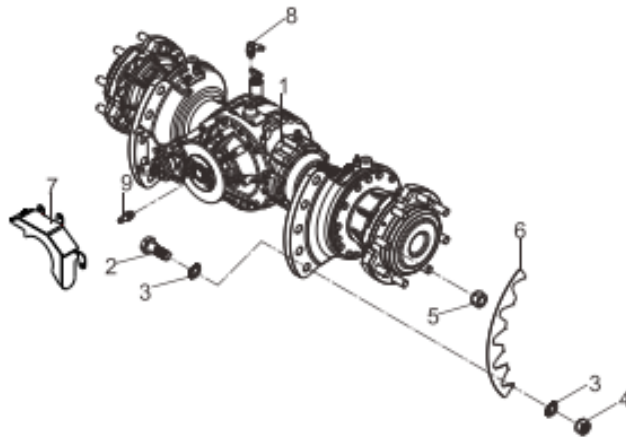






**HY933-00011 01 Wet type drive axle ass'y**

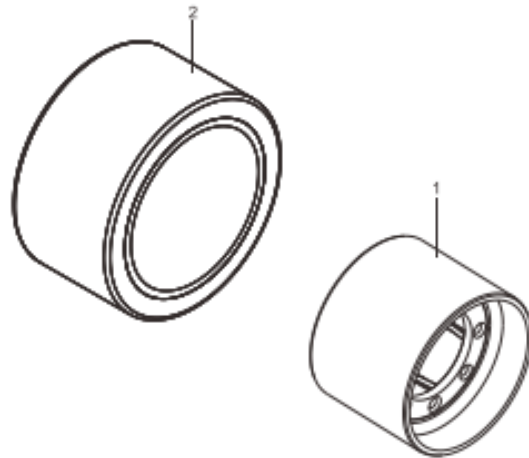
**HY933-00011 01 5t 小轴距湿式桥总成**





**HY934-40001 01 Front wheel assembly**

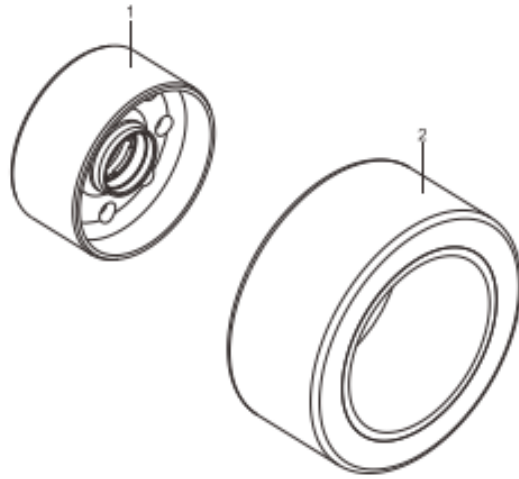
**HY934-40001 01 前轮总成**





**HRH38L4301-HL 01 Rear wheel**

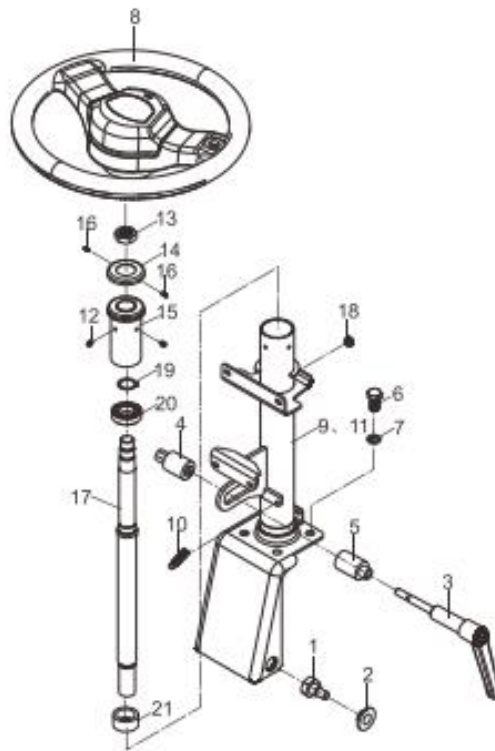
**HRH38L4301-HL 01 后轮总成**



HRH38L4301-HL 01 Rear wheel							
HRH38L4301-HL 01 后轮总成							
序号 No.	零部件代号 Part No.	版本 Edition	名称 Part name		数量 Q'ty	备注 Remark	
1	H38L4-32101	00	Rear rim	后轮钢	2		
2	Z3200-80032	00	Patterned tyre	有花纹轮胎 18x8x12 1/8	2		
2	Z3200-80032B	00	Patterned no-marking tyre	有花纹无痕迹轮胎 18x8x12 1/8	2	Option	选用
2	Z3230-80032	00	Unpatterned tyre	无花纹轮胎 18x8x12 1/8	2	Option	选用
2	Z3230-80032B	00	Unpatterned no- marking tyre	无花纹无痕迹轮胎 18x8x12 1/8	2	Option	选用

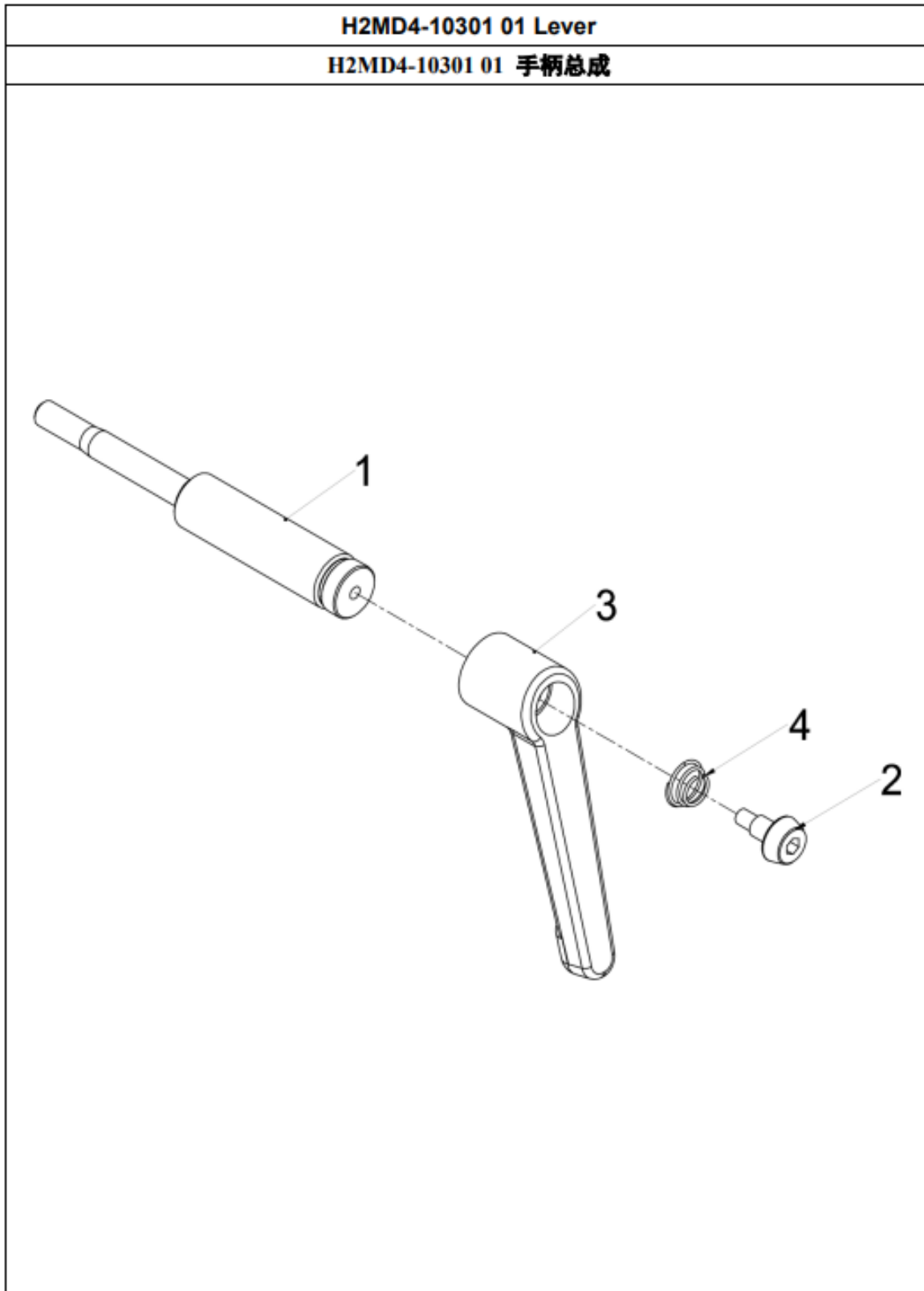
**HY934-10001 00 Steering system**

**HY934-10001 00 转向系统**



HY934-10001 00 Steering system							
HY934-10001 00 转向系统							
序号 No.	零部件代号 Part No.	版本 Edition	名称 Part name		数量 Q'ty	备注 Remark	
1	G27Z4-12001	01	Bolt	螺栓	2		
2	G27Z4-12011	01	Washer	垫圈	2		
3	H2MD4-10301	01	Lever	手柄总成	1		
4	KM914-12011	04	Nut	螺母	1		
5	KM914-12031	02	Spacer	套管	1		
6	B0330-10020	00	Bolt	螺栓 M10x20	4	GB5783-86	GB5783-86
7	B5050-00010	00	Washer	垫圈 10	4	GB93-87	GB93-87
8	H2MD4-10401	01	Wheel assembly	方向盘总成	1		
8	H2MD4-10501	00	The wheel assembly(without "HELI")	方向盘总成(无 heli 字样)	1	Without HELI	无 HELI 字样
8	H2MD4-10601	00	Wheel assembly	方向盘总成	1	No knob	无球形把手
9	HY934-10101	00	Column	转向管柱总成 (用于普通转向)	1	Include 11-21,For normal steering,HR HY934111	包含 11-21,用于普通转向,HRHY93 4111
9	HY934-10101A	00	Column	转向管柱总成 (用于同步转向)	1	Include 11-21,For synchronizat ion steering,HR HY934111	包含 11-21,用于同步转向,HRHY93 4111
10	HY934-12011	00	Spring,return	回位弹簧	2		
11	HY934-10201	00	Bracket	转向机架	1		
12	B8432-05008	00	Screw	螺钉 M5X8	2	GB75-85	GB75-85
13	B4413-00016	00	Nut	螺母 M16x1.5	1	GB6173-86	GB6173-86
14	G27Z4-12381	01	Conductive ring	导电圈	1		
15	G27Z4-12371	01	Spacer	隔套	1		
16	B1932-03008	00	Screw M3x8	螺钉 M3x8	2	GB73-85	GB73-85
17	H2MD4-12061	01	Transmission shaft	传动轴	1	For normal steering	用于普通转向
17	HY934-12001	00	Transmission shaft	传动轴	1	For synchronizat ion steering	用于同步转向
18	G27Z4-12411	01	Grommet	喇叭线套	1		
19	B6150-00020	00	Snap ring	挡圈 20	1	GB894.1-86	GB894.1-86
20	Z-61904	00	Bearing	轴承 61904	1	GB/T276-94	GB/T276-94
21	G27Z4-12391	01	Wearing	支承圈	1		

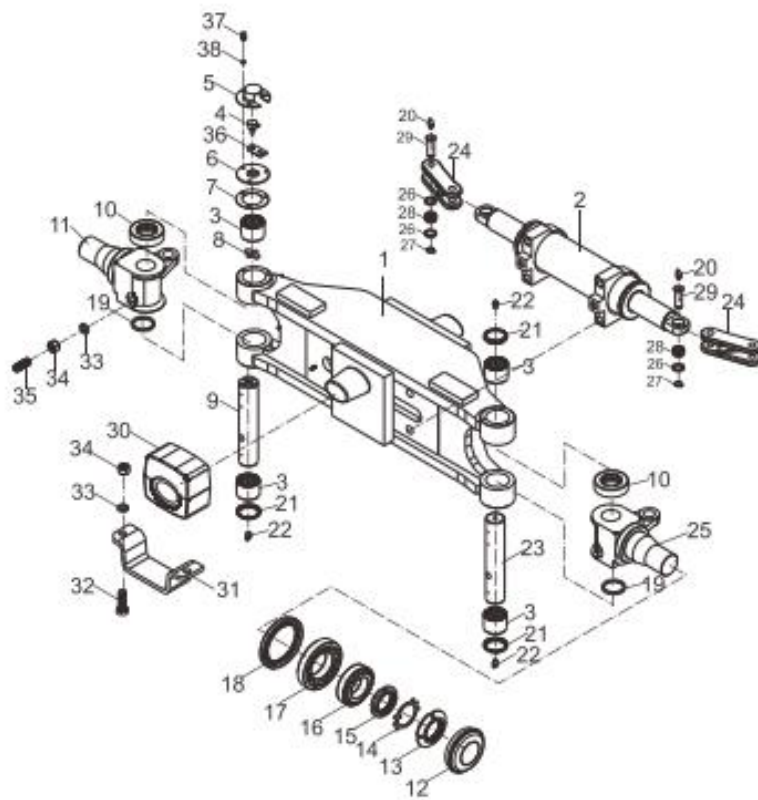




H2MD4-10301 01 Lever						
H2MD4-10301 01 手柄总成						
序号 No.	零部件代号 Part No.	版本 Edition	名称 Part name		数量 Q'ty	备注 Remark
1	H2MD4-12071	02	Bolt	锁紧螺栓	1	
2	G27Z4-12031C	00	Nut	螺母	1	
3	G27Z4-12031A	02	Knob,lever	手柄	1	
4	G27Z4-12031D	00	Spring	螺旋弹簧	1	

**HRH38L4301 01 Steering axle**

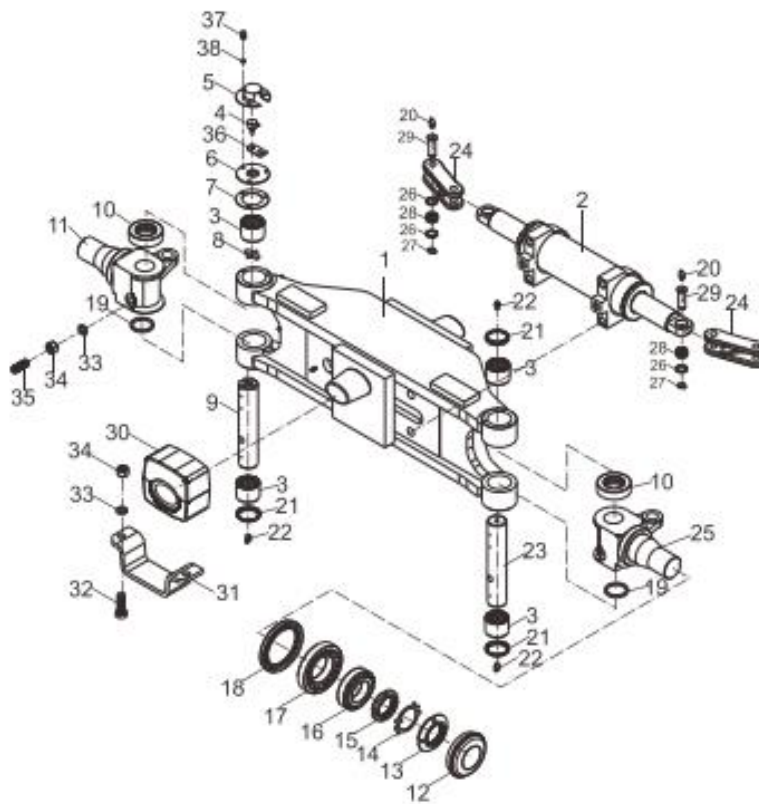
**HRH38L4301 01 转向桥总成**



HRH38L4301 01 Steering axle							
HRH38L4301 01 转向桥总成							
序号 No.	零部件代号 Part No.	版本 Edition	名称 Part name		数量 Q'ty	备注 Remark	
1	H38L4-30201	00	The welded steering axle	焊接桥体总成	1		
2	H38L4-30301	00	Steering cylinder	转向油缸总成	1		
3	FY-45X55X38	00	Bearing,needle	滚针轴承	4	GB/T5801-94	GB/T5801-94
4	AA5G2-41101	01	Potentiometer	电位器	1		
5	G0DP4-32141	01	Visor	保护盖	1		
6	G0DP4-32131	01	Kingpin upper cover	主销上盖	1		
7	G0DP4-32121	01	Sheet gasket	密封垫片	1		
8	AA3G4-32101	01	Plate	十字 D 型板	1		
9	G0DP4-32151	01	Swizzle	主销	1		
10	198909	00	Bearing	单向推力球轴承 198909	2		
11	H38L4-32111	00	Pin,king	右转向节	1		
12	22654-32281	01	Hub cover	轮毂盖	2		
13	A02Z4-32171	01	Nut	加大圆螺母	2		
14	B5512-00055	00	Washer	垫圈 55	2	GB858-88	GB858-88
15	B4832-00055	00	Nut	螺母 M55x2	2	GB812-88	GB812-88
16	Z-32211	00	Bearing	轴承 32211	2	GB/T297-94	GB/T297-94
17	Z-30214	00	Bearing	轴承 30214	2	GB/T297-94	GB/T297-94
18	Z6301-09534	00	Skeleton oil seal B95x130x12D	骨架油封 B95x130x12D	2	GB9877.1-88	GB9877.1-88
19	E01D4-12231	00	Seal-ring	密封圈	2		
20	Z2513-00610	00	Fitting	油杯 90° M6	4	JB/T7940.2-1995	JB/T7940.2-1995
21	E01D4-12151	00	Iron shell oil seal	铁壳油封	4		
22	Q701B90	00	Fitting	弯颈式滑脂嘴 90°	4		
23	G0DP4-32321	01	Swizzle	主销	2		
24	H38L4-32091	00	Link	连杆	2		
25	H38L4-32121	00	Pin,king	左转向节	1		
26	H24C4-12003	02	Dushing	衬套	6		
27	B6150-00016	00	Snap ring 16	挡圈 16	4	GB894.1-86	GB894.1-86
28	H24C4-32061	02	Bearing	关节轴承	4		
29	A71Y4-32091	01	Link pin	连杆销	4		
30	G0DP4-32201	01	Cushion	减震块	2		
31	H24N6-12142	07	Support	支架	2		

**HRH38L4301 01 Steering axle**

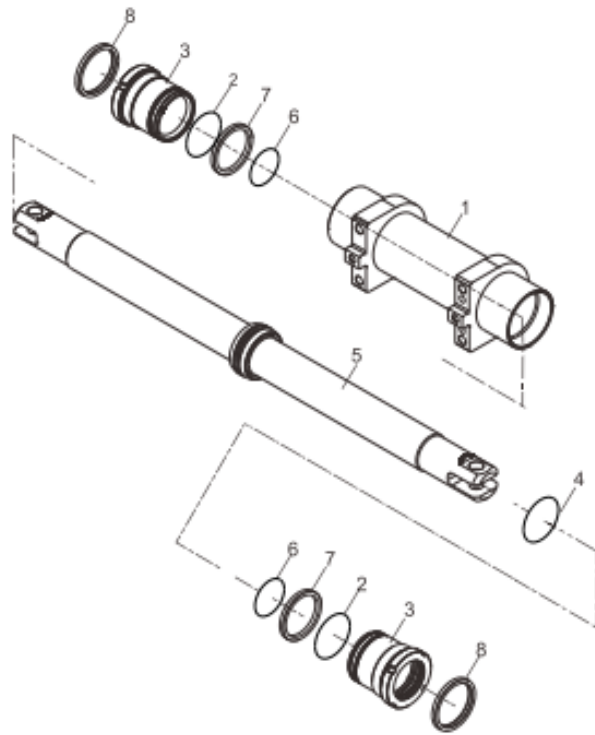
**HRH38L4301 01 转向桥总成**



HRH38L4301 01 Steering axle							
HRH38L4301 01 转向桥总成							
序号 No.	零部件代号 Part No.	版本 Edition	名称 Part name		数量 Q'ty	备注 Remark	
32	B0330-16050	00	Bolt M16x50	螺栓 M16x50	4	GB5783-86	GB5783-86
33	B5050-00016	00	Washer	垫圈 16	6	GB93-87	GB93-87
34	B4130-00016	00	Nut	螺母 M16	6	GB6170-86	GB6170-86
35	B8530-16050	00	Screw	螺钉 M16x50	2	GB78-85	GB78-85
36	A7BJ4-32041	00	Potentiometer localizer	转角电位器定位片	1		
37	B0330-06012	00	Bolt	螺栓 M6x12	3	GB5783-86	GB5783-86
38	B5050-00006	00	Washer,lock	垫圈 6	3	GB93-87	GB93-87

**H38L4-30301 00 Steering cylinder**

**H38L4-30301 00 转向油缸总成**

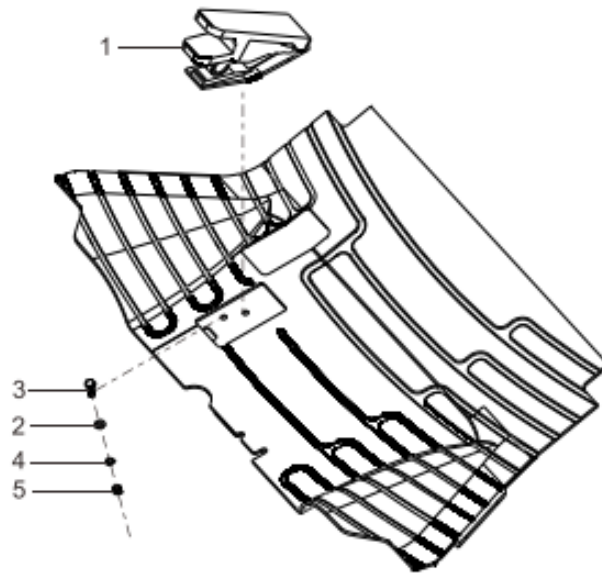


H38L4-30301 00 Steering cylinder						
H38L4-30301 00 转向油缸总成						
序号 No.	零部件代号 Part No.	版本 Edition	名称 Part name		数量 Q'ty	备注 Remark
1	H38L4-33011	00	Cylinder body	缸筒体	1	
2	Z6003-08003	00	O-ring 80*3.1	O形密封圈 80*3.1	2	
3	H38L4-32311	00	Guide sleeve	导向套	2	
4	GSF0800	00	Square circle	孔用方形圈	1	
5	H38L4-33021	00	Piston body assembly	活塞体	1	
6	AG0080	00	O-ring 79.4x3.1	O型密封圈 79.4x3.1	2	
7	RUJ300500-Z20	00	Shaft seal	轴用密封件 50X65X9	2	
8	WDJ200500-Z201	00	Dust ring	防尘圈 50x58x5/6.5	2	



**H3HL5-60001 02 Electronic throttle mount**

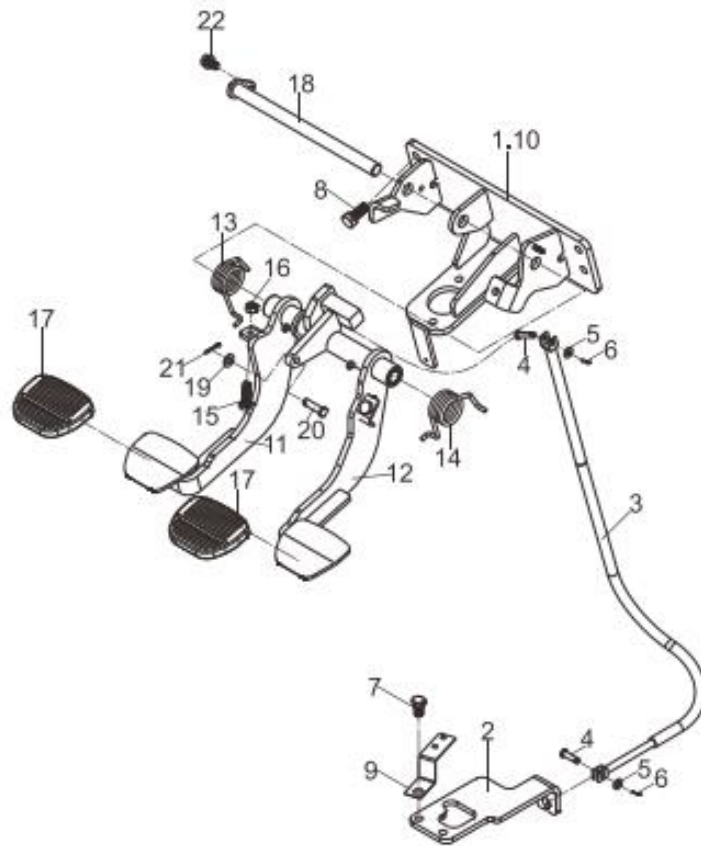
**H3HL5-60001 02 电子油门安装**



H3HL5-60001 02 Electronic throttle mount							
H3HL5-60001 02 电子油门安装							
序号 No.	零部件代号 Part No.	版本 Edition	名称 Part name		数量 Q'ty	备注 Remark	
1	K0W55-60301	02	Bracket assembly	电子油门踏板总成	1		
2	B5310-00008	00	Washer	垫圈 8	2	GB97.1-85	GB97.1-85
3	B0330-08025	00	Bolt	螺栓 M8x25	2	GB5783-86	GB5783-86
4	B5050-00008	00	Washer	垫圈 8	2	GB93-87	GB93-87
5	B4130-00008	00	Nut	螺母 M8	2	GB6170-86	GB6170-86

**HY935-40001 01 Brake & Inching device**

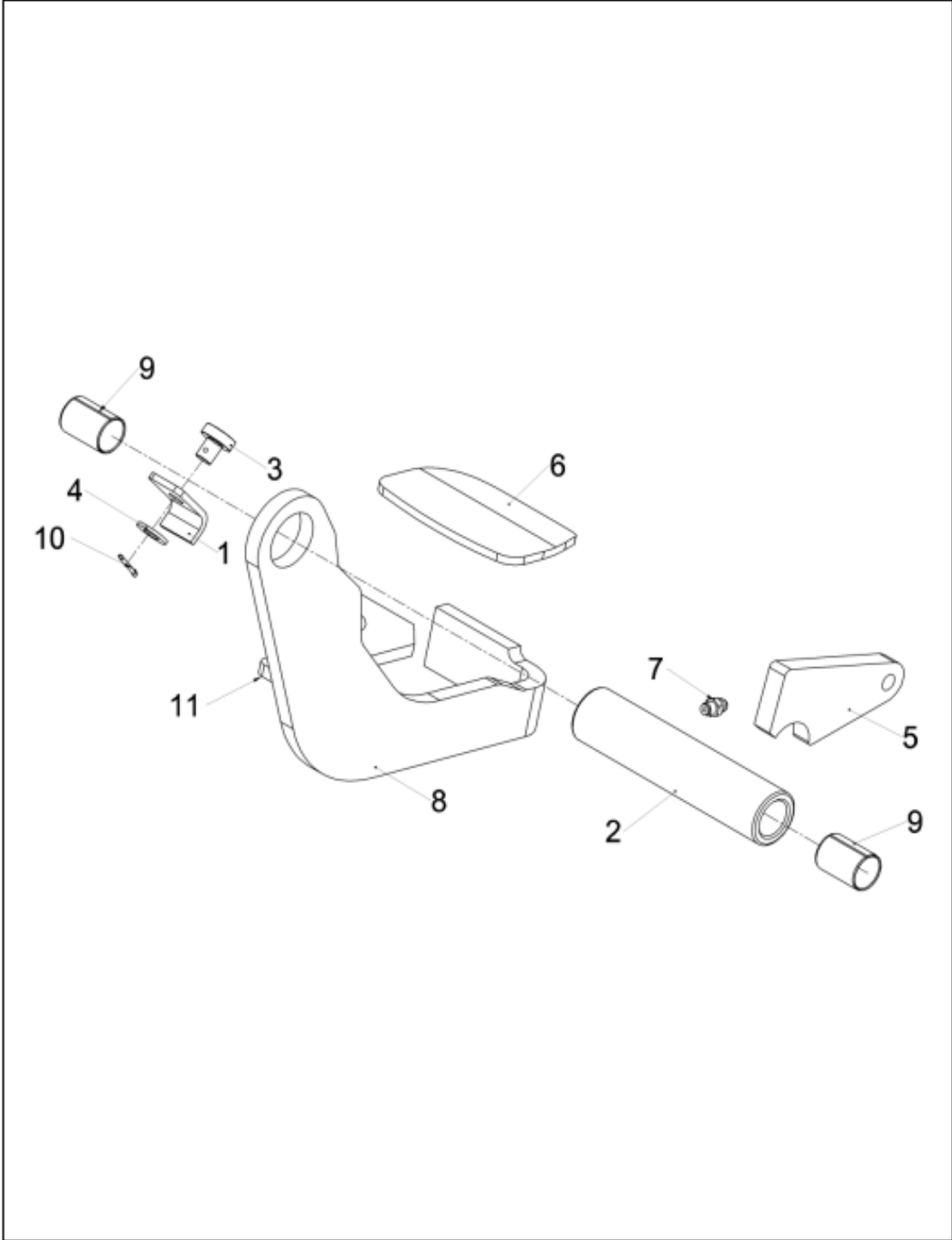
**HY935-40001 01 行车制动与微动总成**



HY935-40001 01 Brake & Inching device							
HY935-40001 01 行车制动与微动总成							
序号 No.	零部件代号 Part No.	版本 Edition	名称 Part name		数量 Q'ty	备注 Remark	
1	HY935-40001-X	01	Brake & Inching device	行车制动与微动装置	1	Include 10-22	包含 10-22
2	G0DP5-42161	00	Inching zipper bracket	微动拉锁支架	1		
3	HY935-40401	02	Fretting zip assembly	微动拉锁总成	1		
4	B3220-06022	00	Pin	销 B6x22	2	GB882-86	GB882-86
5	B5310-00006	00	Washer,lock	垫圈 6	2	GB97.1-85	GB97.1-85
6	B3010-1P610	00	Pin	销 1.6x10	2	GB91-86	GB91-86
7	B0330-08016-X1	00	Combined bolt	组合螺栓 M8x16	2	GB/T9074.1 5-88	GB/T9074.1 5-88
8	B0330-10025-X1	00	Combined bolt	组合螺栓 M10x25	4	GB/T9074.1 5-88	GB/T9074.1 5-88
9	H2MD5-55021	00	Bracket	线束支架	1		
10	HY935-40301	02	Bracket	制动微动支架	1		
11	G0DP5-40101	00	Inching pedal	微动踏板总成	1		
12	G0DP4-40601	00	Brake pedal assembly	制动踏板总成	1		
13	H2MD6-42591	00	Torsion spring (left)	扭转弹簧(左)	1		
14	H2MD6-42391	02	Spring R.H.	扭转弹簧(右)	1		
15	B0330-08030	00	Bolt	螺栓 M8x30	1	GB5783-86	GB5783-86
16	B4123-00008	00	Nut	螺母 M8	1	GB6170-86	GB6170-86
17	H2LD5-32451	00	Cover,pedal head	踏板垫	2		
18	H2MD5-40601	02	Pin	销轴总成	1		
19	B5310-00008	00	Washer	垫圈 8	1	GB97.1-85	GB97.1-85
20	B3220-08030	00	Pin B8x30	销 B8x30	1	GB882-86	GB882-86
21	B3010-2P516	00	Pin x16 2.5	销 2.5x16	1	GB91-86	GB91-86
22	B0330-08016-X	00	Combined bolt	组合螺栓 M8x16	1	GB/T9074.1 7-88	GB/T9074.1 7-88

**G0DP4-40601 00 Brake pedal assembly**

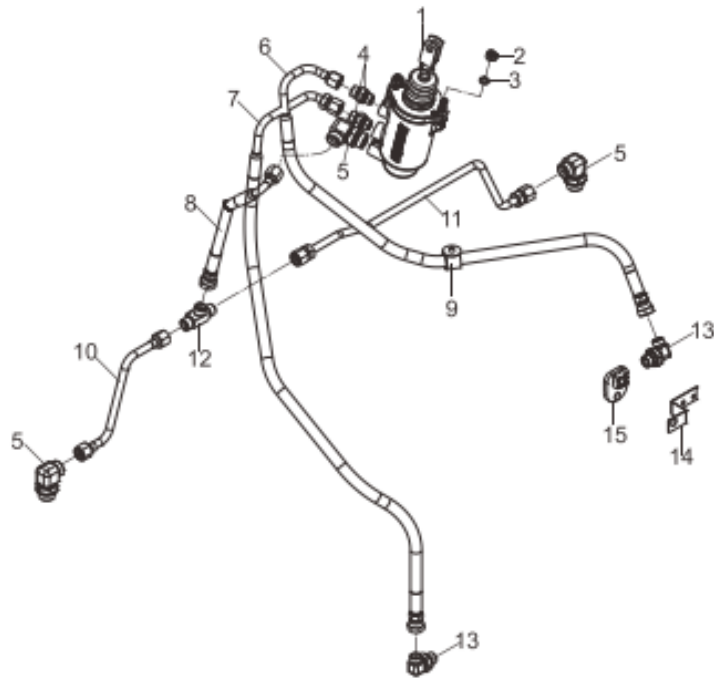
**G0DP4-40601 00 制动踏板总成**



<b>G0DP4-40601 00 Brake pedal assembly</b>							
<b>G0DP4-40601 00 制动踏板总成</b>							
序号 No.	零部件代号 Part No.	版本 Edition	名称 Part name		数量 Q'ty	备注 Remark	
1	H2MD5-42061	01	Brake adjustment plate	制动调整支板	1		
2	G0DP5-42051	00	Casing	制动套管	1		
3	H25S5-43211	00	Nylon	尼龙顶轴	1		
4	B5310-00008	00	Washer	垫圈 8	1	GB97.1-85	GB97.1-85
5	G0DP5-42061	00	Pedal	制动挂板	1		
6	H2LD5-32461	01	Pedal	踏板	1		
7	Z2500-00610	00	Fitting grease	油杯 M6	1	JB/T 7940.1-1995	JB/T 7940.1-1995
8	G0DP5-42041	00	Brake pedal arm	制动踏板臂	1		
9	Z2131-01625	00	Bushing	钢背轴承 16x25	2	Q/AC40001-2002	Q/AC40001-2002
10	B3010-02020	00	Pin 2 x20	销 2x20	1	GB91-86	GB91-86
11	G0DP5-42031	00	Board	加强筋板	1		

**HY935-40501 01 Brake piping system**

**HY935-40501 01 行车制动管路系统**

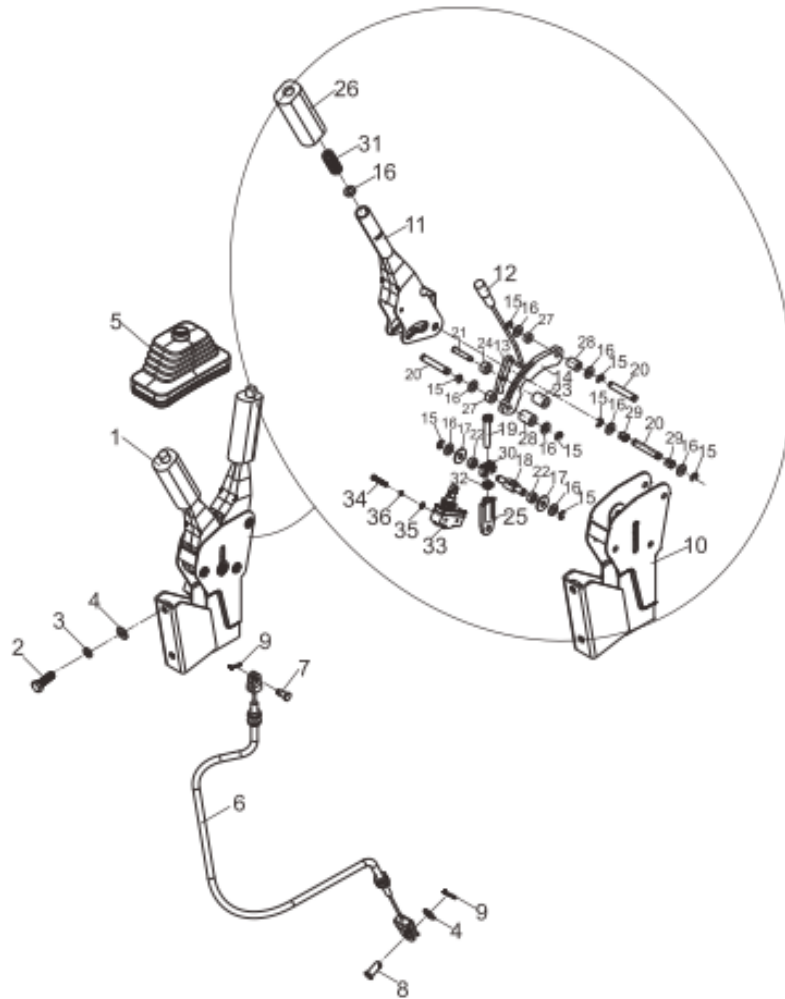


HY935-40501 01 Brake piping system							
HY935-40501 01 行车制动管路系统							
序号 No.	零部件代号 Part No.	版本 Edition	名称 Part name		数量 Q'ty	备注 Remark	
1	G0DP5-40201	00	Brake valve assembly	制动阀总成 (294X746416)	1		
2	B4123-00008	00	Nut	螺母 M8	2	GB6170-86	GB6170-86
3	B5050-00008	00	Washer	垫圈 8	2	GB93-87	GB93-87
4	JT8021-96011LOR	00	Straight joint	直通接头	2		
5	JT8022-96011LOR	00	Right angle joint	直角接头	3	HRJT8022L OR	HRJT8022L OR
6	HY935-40601	00	Hose 1	胶管总成 1	1		
7	HY935-40611	00	Hose 2	胶管总成 2	1		
8	Z9701- 0802514L08	00	Hose H.P.	高压胶管	1		
9	D03XK0367	00	Support	线束固定卡	1		
10	HY935-40561A	00	Brake steel tube L.H	左制动钢管总成	1		
11	HY935-40571A	00	Brake steel tube R.H	右制动钢管总成	1		
12	HY935-40581	00	Three-way	三通接头总成	1		
13	JT7022-38011LOR	01	Right angle joint	直角接头	2		
14	H2MD5-55021	00	Bracket	线束支架	1		
15	HY936-40711	00	Bracket ass'y	支架总成	1		



**HY935-50001 00 Brake lever**

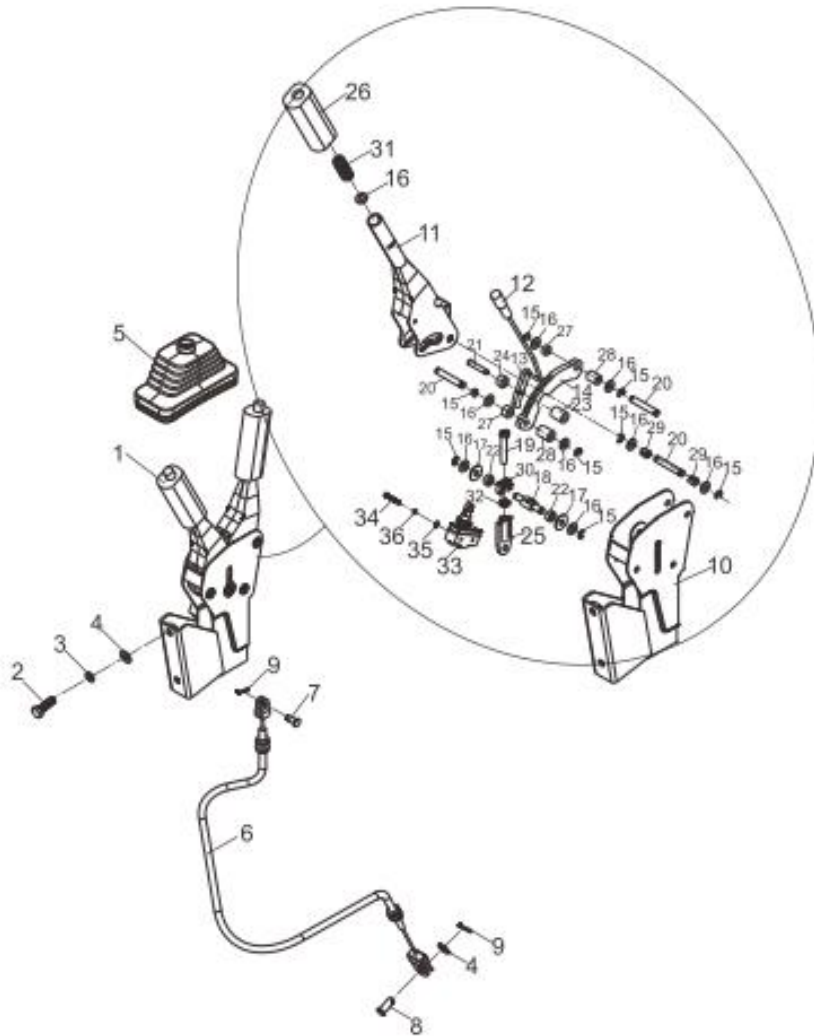
**HY935-50001 00 停车制动装置**



HY935-50001 00 Brake lever							
HY935-50001 00 停车制动装置							
序号 No.	零部件代号 Part No.	版本 Edition	名称 Part name		数量 Q'ty	备注 Remark	
1	HY935-50011	00	Hand brake	手制动总成	1	Include 10-36	包含 10-36
2	B0330-10030	00	Bolt	螺栓 M10x30	2	GB5783-86	GB5783-86
3	B5050-00010	00	Washer	垫圈 10	2	GB93-87	GB93-87
4	B5310-00010	00	Washer	垫圈 10	3	GB97.1-85	GB97.1-85
5	G0U25-52201	01	Dust hood	防尘罩	1		
6	HY935-50101	01	Parking brake stay cable assembly	停车制动拉索总成	1		
7	B3220-08018	00	Pin B8x18	销 B8x18	1	GB882-86	GB882-86
8	B3220-10024	00	Pin B10x24	销 B10x24	1	GB882-86	GB882-86
9	B3010-3P216	00	Pin	销 3.2x16	2	GB91-86	GB91-86
10	HY935-50201	00	Bracket	手制动壳总成	1		
11	G0U25-50301	01	Lever	手柄总成	1		
12	G2TA5-50401	01	Push rod	推杆总成	1		
13	G2TA5-52101	02	Pawl	棘爪	1		
14	G0U25-52111	01	Ratch	棘齿	1		
15	B6250-00006	00	Snap ring	挡圈 6	8	GB896-86	GB896-86
16	B5310-00008	00	Washer	垫圈 8	9	GB97.1-85	GB97.1-85
17	239A5-58101	00	Washer	垫圈	2		
18	G2TA5-52131	02	Pin	连接销	1		
19	G0U25-52061	00	Bolt M8X45	螺栓 M8X45	1	GB29.1-88	GB29.1-88
20	G2TA5-52121	02	Pin	固定销	3		
21	G2TA5-52141	02	pin	销轴	1		
22	239A5-54101	00	Sleeve	套	2		
23	G2TA5-52151	03	Sleeve	套筒 1	1		
24	G2TA5-52161	03	Sleeve	套筒 2	1		
25	G0U25-50401	01	Rod	拉杆	1		
26	Q64H5-52001	02	Sheath	手柄套	1		
27	G2TA5-52181	03	Sleeve	套筒 4	2		
28	G2TA5-52171	03	Sleeve	套筒 3	2		
29	Z2111-00810	00	Bushing	钢背轴承 0810	2	Q/AC40001-2002	Q/AC40001-2002
30	G2TA5-52191	01	Catch	弹簧卡	1		
31	239A5-52101	00	Spring	弹簧	1		

**HY935-50001 00 Brake lever**

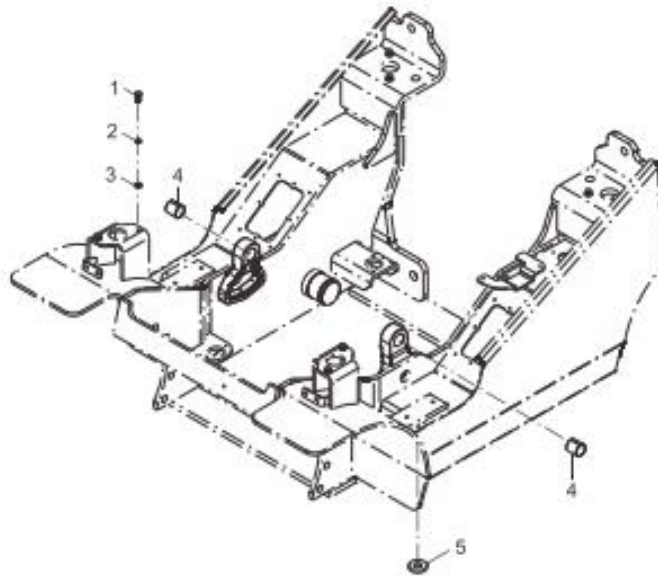
**HY935-50001 00 停车制动装置**



HY935-50001 00 Brake lever							
HY935-50001 00 停车制动装置							
序号 No.	零部件代号 Part No.	版本 Edition	名称 Part name		数量 Q'ty	备注 Remark	
32	B4313-00008	00	Nut	螺母 M8	1	GB6172-86	GB6172-86
33	A65F2-41201	06	Hand brake switch	手制动开关	1		
34	B1010-04025	00	Screw M4x25	螺钉 M4x25	2	GB65-85	GB65-85
35	B5323-00004	00	Washer	垫圈 4	2	GB97.1-85	GB97.1-85
36	B5050-00004	00	Washer	垫圈 4	2	GB93-87	GB93-87

**HY936-10011 00 Frame**

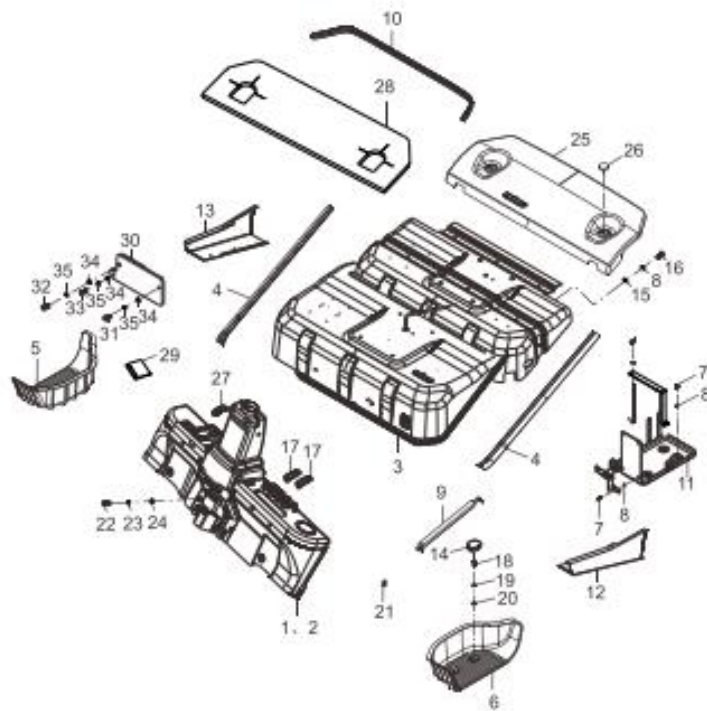
**HY936-10011 00 车架 (二)**



HY936-10011 00 Frame							
HY936-10011 00 车架 (二)							
序号 No.	零部件代号 Part No.	版本 Edition	名称 Part name		数量 Q'ty	备注 Remark	
1	B0530-12025	00	Bolt M12x1.25x25	螺栓 M12x1.25x25	8	GB5786-86	GB5786-86
2	B5310-00012	00	Washer	垫圈 12	8	GB97.1-85	GB97.1-85
3	B5050-00012	00	Washer	垫圈 12	8	GB93-87	GB93-87
4	G0DP6-14451	00	Bushing 4045	钢背轴承 4045	2	Q/AC40001-2002	Q/AC40001-2002
5	G0176-10011	00	Magnet	磁铁 Φ68/Φ37x14	4		

**H38L6-40001 02 Hood**

**H38L6-40001 02 机罩类**

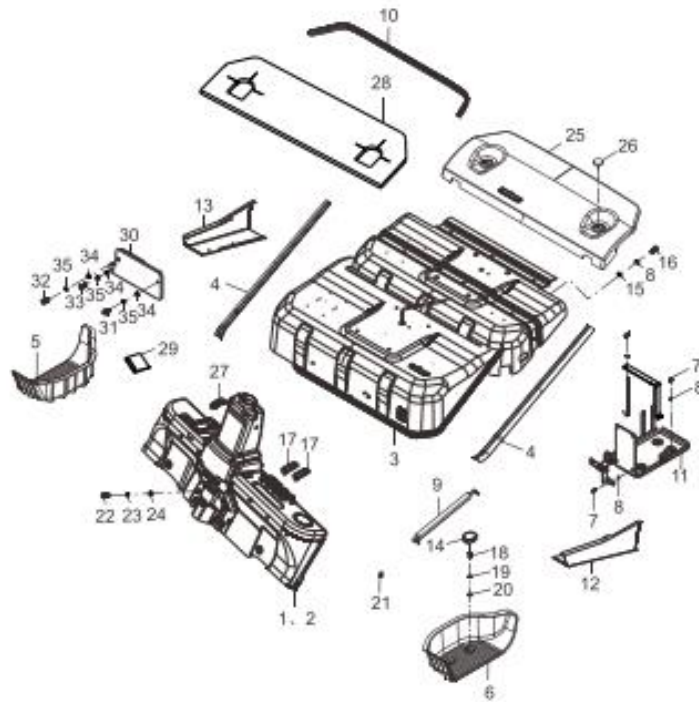


H38L6-40001 02 Hood							
H38L6-40001 02 机罩类							
序号 No.	零部件代号 Part No.	版本 Edition	名称 Part name		数量 Q'ty	备注 Remark	
1	H38L6-40601	01	Instrument stand	仪表架总成	1		
2	HY936-40501	00	Instrument desk mouting	仪表台安装	1		
3	HY936-40201	00	Hood ass'y	机罩总成	1	Without the Grammer saet	除格拉默座椅
3	HY936-40201MSGTD	00	Hood ass'y	机罩总成	1	Grammer seat	格拉默座椅
4	H1M56-42851	00	Seal	D型密封条	2		
5	H1M56-42861	01	Treadboard R.H.	脚踏板(右)	1		
6	H1M56-42871	01	Treadboard L.H.	脚踏板(左)	1		
7	B0330-08016	00	Bolt	螺栓 M8x16	5	GB5783-86	GB5783-86
8	B5050-00008	00	Washer	垫圈 8	9	GB93-87	GB93-87
9	HY936-42801	03	Gas spring	气弹簧	1	Standard rear suspension truck	标准后悬车型用
9	H38L6-42001	01	Gas spring	气弹簧	1	Short rear suspension truck	短后悬车型用
10	HY936-42891	00	Seal	水箱盖板密封条	1	Standard rear suspension truck	标准后悬车型用
10	H38L6-42041	01	Seal 1	密封条 1	1	Short rear suspension truck	短后悬车型用
11	HSF16-40201	00	Battery bracket	电瓶架	1		
12	HY936-42871	03	Dashboard side cover (left)	仪表台侧罩(左)	1		
13	HY936-42881	04	Dashboard side cover (right)	仪表台侧罩(右)	1		
14	H1M56-42471	00	Cap,dust	脚踏板防尘盖	4		
15	B5310-00008	00	Washer	垫圈 8	5	GB97.1-85	GB97.1-85
16	B0330-08025	00	Bolt	螺栓 M8x25	4	GB5783-86	GB5783-86
17	H1M56-42921	01	Cover	操纵杆盖板	2	Two piece valve	两片阀
17	H1M56-42921	01	Cover	操纵杆盖板	1	Three piece valve	三片阀
17	H1M56-42921	01	Cover	操纵杆盖板	1	Four piece valve	四片阀
18	B0330-10020	00	Bolt	螺栓 M10x20	4	GB5783-86	GB5783-86
19	B5050-00010	00	Washer	垫圈 10	4	GB93-87	GB93-87
20	B5310-00010	00	Washer	垫圈 10	4	GB97.1-85	GB97.1-85
21	H2MD6-42491	01	Plug	密封塞	2		
22	B0330-16040	00	Bolt M16x40	螺栓 M16x40	4	GB5783-86	GB5783-86
23	B5050-00016	00	Washer	垫圈 16	4	GB93-87	GB93-87



**H38L6-40001 02 Hood**

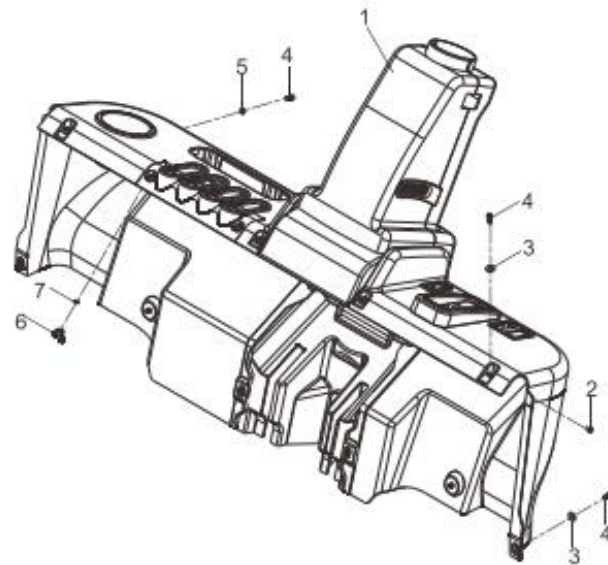
**H38L6-40001 02 机罩类**



H38L6-40001 02 Hood							
H38L6-40001 02 机罩类							
序号 No.	零部件代号 Part No.	版本 Edition	名称 Part name		数量 Q'ty	备注 Remark	
24	B5310-00016	00	Washer	垫圈 16	4	GB97.1-85	GB97.1-85
25	HY936-42321	04	Cover	水箱盖板	1	Standard rear suspension truck	标准后悬车型用
25	H38L6-40201	01	Radiator cover assembly	水箱盖板总成	1	Short rear suspension truck	短后悬车型用
26	A22A6-42511	03	Screw	螺钉	2		
27	H2MD6-43521	00	Shield for adjusting handle	调节手柄护罩	1		
28	HY936-42331	03	Sound insulating pad	水箱盖板隔音垫	1	Standard rear suspension truck	标准后悬车型用
28	H38L6-42061	00	Sound insulating pad	水箱盖板隔音垫	1	Short rear suspension truck	短后悬车型用
29	HY936-43031	00	Plate	垫板	2		
30	HY936-40701	00	OPS Plate	OPS 固定板	1		
31	B1210-06016	00	Screw	螺钉 M6x16	1	GB818-85	GB818-85
32	B1210-06020	00	Screw	螺钉 M6x20	1	GB818-85	GB818-85
33	B1210-06012	00	Screw	螺钉 M6x12	1	GB818-85	GB818-85
34	B5310-00006	00	Washer,lock	垫圈 6	3	GB97.1-85	GB97.1-85
35	B5050-00006	00	Washer,lock	垫圈 6	3	GB93-87	GB93-87

**HY936-40501 00 Instrument desk mouting**

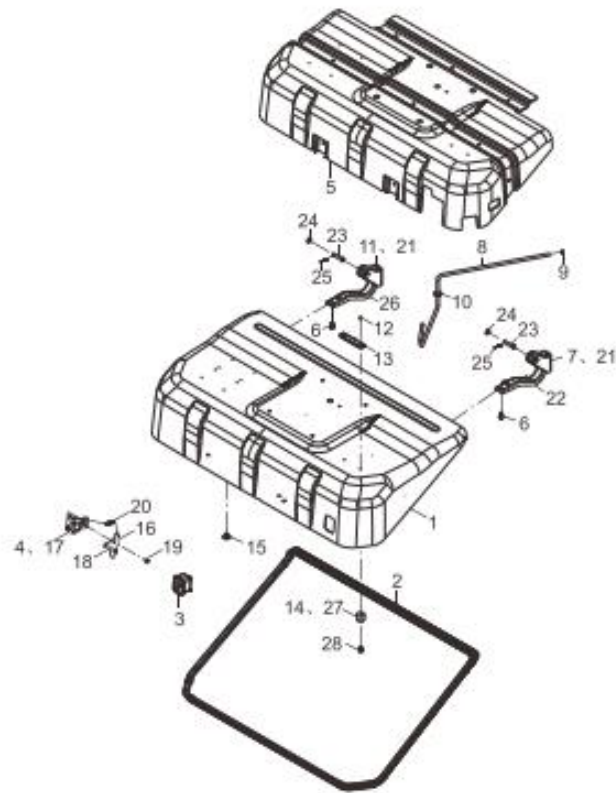
**HY936-40501 00 仪表台安装**



HY936-40501 00 Instrument desk mouting							
HY936-40501 00 仪表台安装							
序号 No.	零部件代号 Part No.	版本 Edition	名称 Part name		数量 Q'ty	备注 Remark	
1	HY936-40511	01	Instrument desk	仪表台总成	1		
2	G0U26-42911	00	Screw M5x10	沉头螺钉 M5x10	4		
3	G0U26-42901	00	Washer 5	大平垫圈 5	13		
4	G0U26-42921	00	Screw M5x12	内六角螺钉 M5x12	22		
5	B5310-00005	00	Washer	垫圈 5	9	GB97.1-85	GB97.1-85
6	B4910-00006	00	Nut	螺母 M6	3	GB62-88	GB62-88
7	B5050-00006	00	Washer,lock	垫圈 6	3	GB93-87	GB93-87

**HY936-40201 01 Hood ass'y**

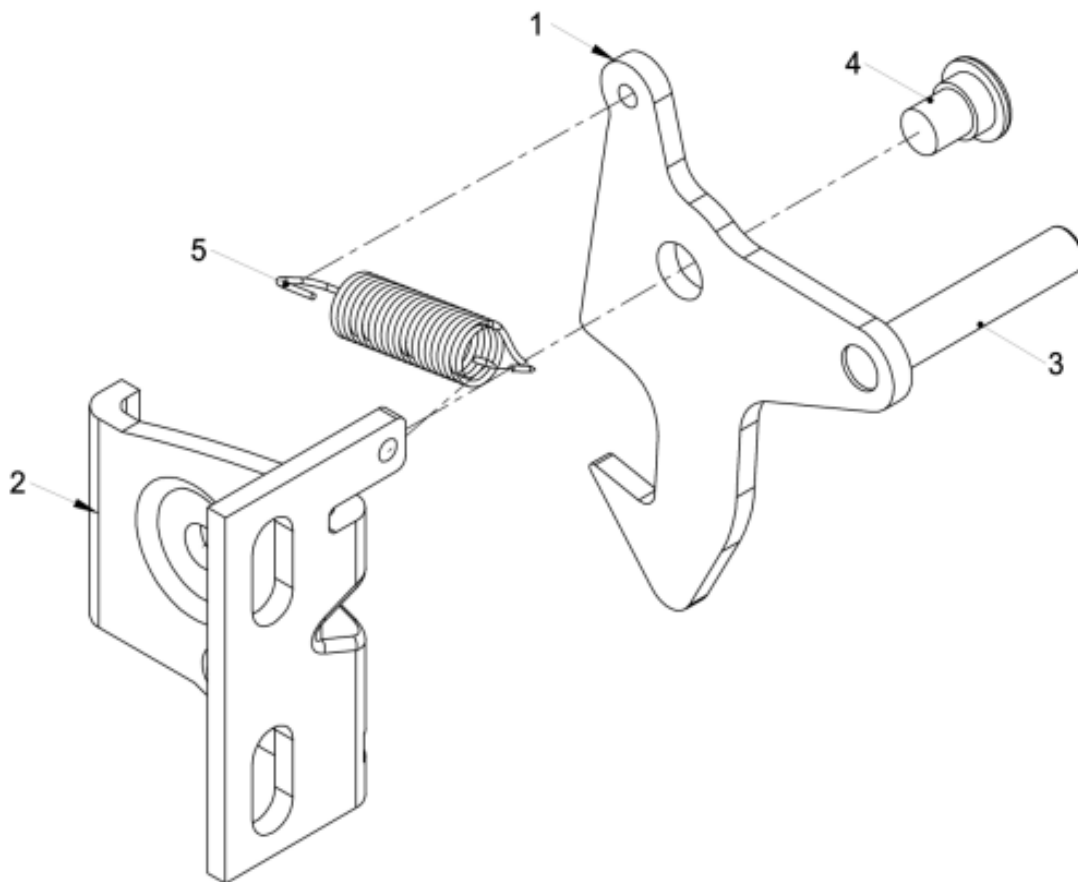
**HY936-40201 01 机罩总成**



HY936-40201 01 Hood ass'y							
HY936-40201 01 机罩总成							
序号 No.	零部件代号 Part No.	版本 Edition	名称 Part name		数量 Q'ty	备注 Remark	
1	HY936-40211	01	Hood welding assembly	机罩焊接总成	1		
2	HY936-42041	00	Seal	机罩密封条	1		
3	KM916-42161	02	Shield	护罩	1		
4	KM916-40811	02	Lock body assembly	锁体总成	1	Include 16-20	包含 16-20
5	HY936-42081	01	Insulator	隔热垫	1		
6	B0330-08020-X	00	Combined bolt	组合螺栓 M8x20	6	GB/T 9074.17-88	GB/T 9074.17-88
7	HY936-40301	00	Hinge assembly	铰链总成(左)	1	Include 21-25	包含 21-25
8	H2YY2-40906	01	Wiring harness	安全带开关过渡线	1		
9	D12GZ15055	00	Ribbon	固定式扎带	1		
10	A65E5-10311	02	Rubber ring	出线胶圈	1		
11	HY936-40401	00	Hinge assembly	铰链总成(右)	1	Include 21,23-26	包含 21,23-26
12	B2391-04008	00	Rivet	开口型铆钉 4x8	2		
13	A79S6-40151	02	Clip	资料夹	1		
14	H1M56-40901	00	Rubber	缓冲胶垫	2	Include 27-28	包含 27-28
15	H24C6-42731	02	Clip	卡子	11		
16	KM916-42181	02	Hook	弹性锁钩	1		
17	KM916-42171	01	Support	支架	1		
18	KM916-42191	01	Knob,lever	手柄	1		
19	KM916-42201	01	pin	销轴	1		
20	KM916-42311	01	Spring	弹簧	1		
21	HY936-41231	00	Seat	铰链支座	2		
22	HY936-41221	00	Hinge	铰链	1		
23	G0U26-42391	00	Pin B10x50	销 B10x50	2	GB882-86	GB882-86
24	B5310-00010	00	Washer	垫圈 10	2	GB97.1-85	GB97.1-85
25	B3010-3P220	00	Pin 3.2x20	销 3.2x20	2	GB91-86	GB91-86
26	HY936-42091	00	Hinge bent plate	铰链弯板	1		
27	H1M56-40911	00	Rubber mat	胶垫	1		
28	B0330-08016	00	Bolt	螺栓 M8x16	1	GB5783-86	GB5783-86

**KM916-40811 02 Lock body assembly**

**KM916-40811 02 锁体总成**

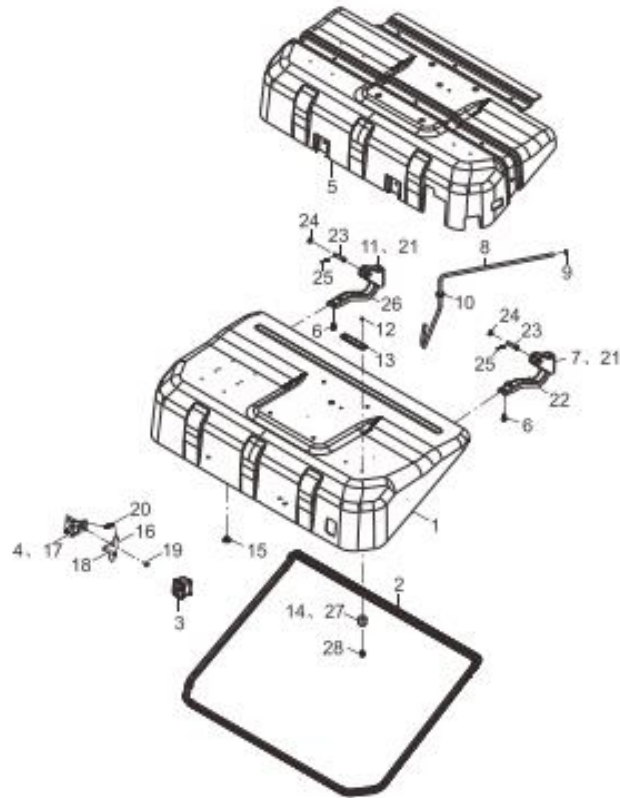


KM916-40811 02 Lock body assembly						
KM916-40811 02 锁体总成						
序号 No.	零部件代号 Part No.	版本 Edition	名称 Part name		数量 Q'ty	备注 Remark
1	KM916-42181	02	Hook	弹性锁钩	1	
2	KM916-42171	01	Support	支架	1	
3	KM916-42191	01	Knob,lever	手柄	1	
4	KM916-42201	01	pin	销轴	1	
5	KM916-42311	01	Spring	弹簧	1	



**HY936-40201MSGTD 00 Hood ass'y**

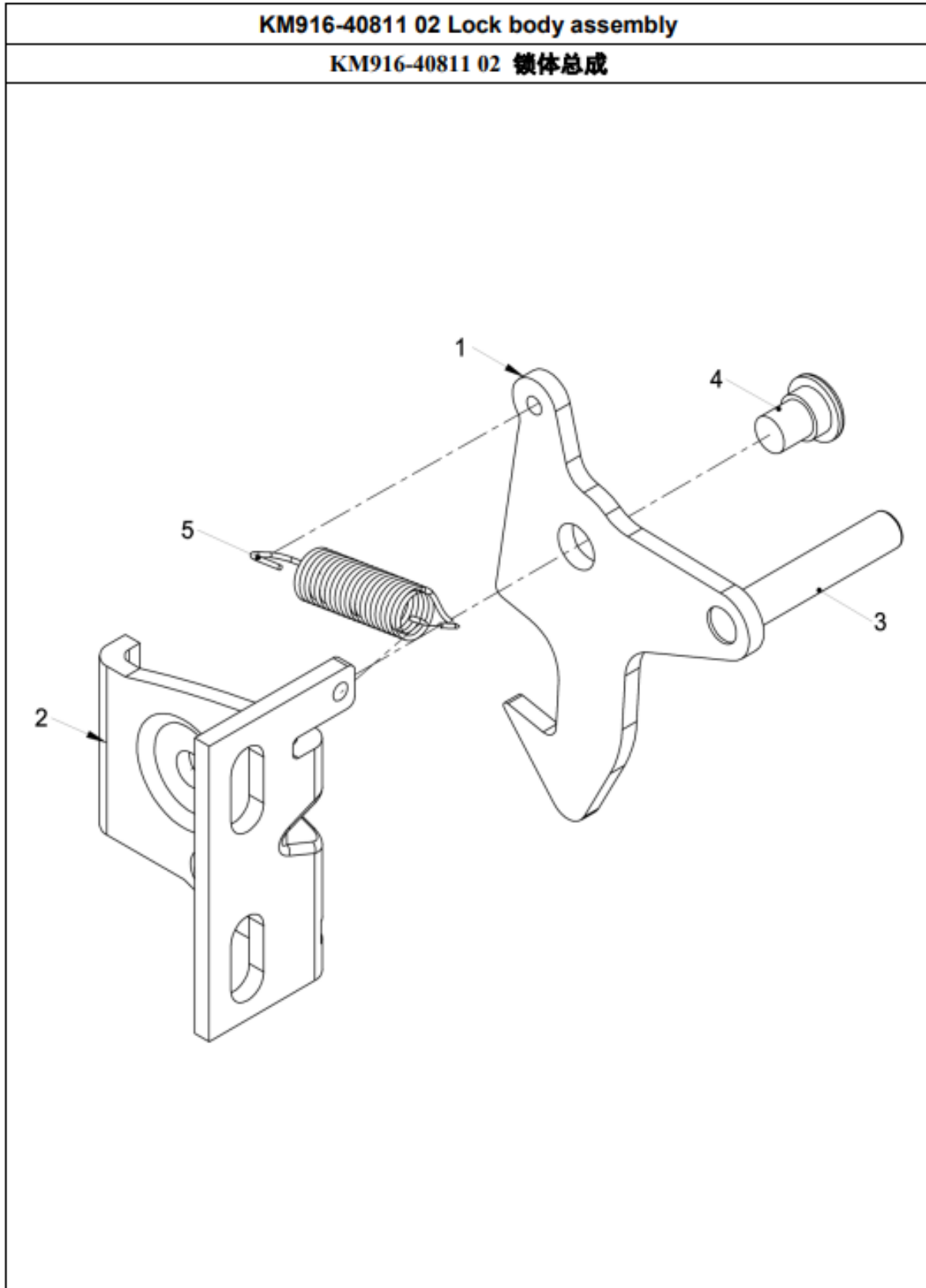
**HY936-40201MSGTD 00 机罩总成**



HY936-40201MSGTD 00 Hood ass'y							
HY936-40201MSGTD 00 机罩总成							
序号 No.	零部件代号 Part No.	版本 Edition	名称 Part name		数量 Q'ty	备注 Remark	
1	HY936-40211	01	Hood welding assembly	机罩焊接总成	1		
2	HY936-42041	00	Seal	机罩密封条	1		
3	KM916-42161	02	Shield	护罩	1		
4	KM916-40811	02	Lock body assembly	锁体总成	1	Include 16-20	包含 16-20
5	HY936-42081	01	Insulator	隔热垫	1		
6	B0330-08020-X	00	Combined bolt	组合螺栓 M8x20	6	GB/T 9074.17-88	GB/T 9074.17-88
7	HY936-40301	00	Hinge assembly	铰链总成(左)	1	Include 21-25	包含 21-25
8	H2YY2-40907	01	Wiring harness	配格拉默座椅安全带开关过渡线	1		
9	D12GZ15055	00	Ribbon	固定式扎带	1		
10	A65E5-10311	02	Rubber ring	出线胶圈	1		
11	HY936-40401	00	Hinge assembly	铰链总成(右)	1	Include 21,23-26	包含 21,23-26
12	B2391-04008	00	Rivet	开口型铆钉 4x8	2		
13	A79S6-40151	02	Clip	资料夹	1		
14	H1M56-40901	00	Rubber	缓冲胶垫	2	Include 27-28	包含 27-28
15	H24C6-42731	02	Clip	卡子	11		
16	KM916-42181	02	Hook	弹性锁钩	1		
17	KM916-42171	01	Support	支架	1		
18	KM916-42191	01	Knob,lever	手柄	1		
19	KM916-42201	01	pin	销轴	1		
20	KM916-42311	01	Spring	弹簧	1		
21	HY936-41231	00	Seat	铰链支座	2		
22	HY936-41221	00	Hinge	铰链	1		
23	G0U26-42391	00	Pin B10x50	销 B10x50	2	GB882-86	GB882-86
24	B5310-00010	00	Washer	垫圈 10	2	GB97.1-85	GB97.1-85
25	B3010-3P220	00	Pin 3.2x20	销 3.2x20	2	GB91-86	GB91-86
26	HY936-42091	00	Hinge bent plate	铰链弯板	1		
27	H1M56-40911	00	Rubber mat	胶垫	1		
28	B0330-08016	00	Bolt	螺栓 M8x16	1	GB5783-86	GB5783-86

**KM916-40811 02 Lock body assembly**

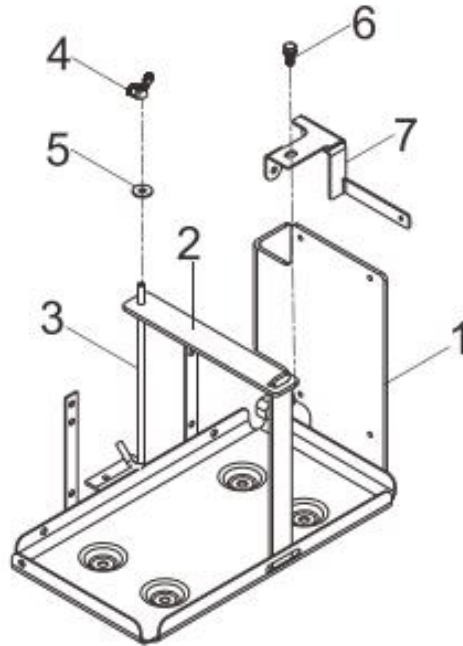
**KM916-40811 02 锁体总成**



KM916-40811 02 Lock body assembly						
KM916-40811 02 锁体总成						
序号 No.	零件代号 Part No.	版本 Edition	名称 Part name		数量 Q'ty	备注 Remark
1	KM916-42181	02	Hook	弹性锁钩	1	
2	KM916-42171	01	Support	支架	1	
3	KM916-42191	01	Knob,lever	手柄	1	
4	KM916-42201	01	pin	销轴	1	
5	KM916-42311	01	Spring	弹簧	1	

**HSF16-40201 00 Battery bracket**

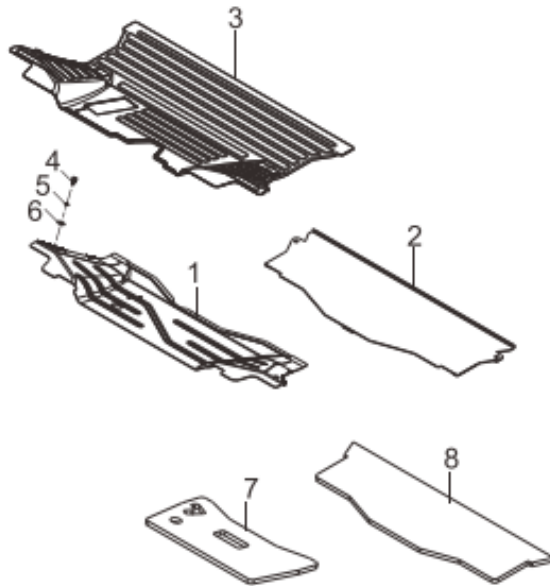
**HSF16-40201 00 电瓶架**



HSF16-40201 00 Battery bracket							
HSF16-40201 00 电瓶架							
序号 No.	零部件代号 Part No.	版本 Edition	名称 Part name		数量 Q'ty	备注 Remark	
1	HSF16-40211	03	Bracket	电瓶支架	1		
2	H1M56-41421	01	Bracket	固定支架(带橡胶垫)	1		
3	23652-42041G	04	Rod	螺杆	1		
4	B4910-00006	00	Nut	螺母 M6	1		
5	B5210-00006	00	Washer,lock	垫圈 6	1	GB62-88	GB62-88
6	B0330-06016-X	00	Combined bolt	组合螺栓 M6×16	1	GB96-85	GB96-85
7	H2MS6-40301	02	Bracket	线束支架	1	GB5783.GB 93,GB97.1	GB5783.GB 93,GB97.1

H38L6-50001 00 Floor class

H38L6-50001 00 地板类

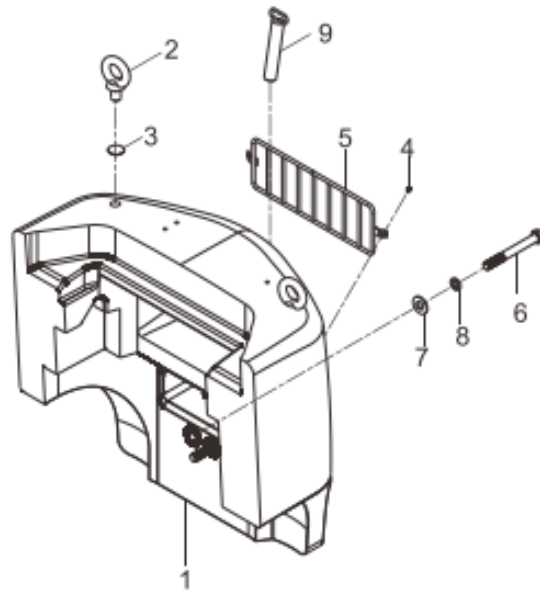






**HRH36L6301 01 Counter weight assembly**

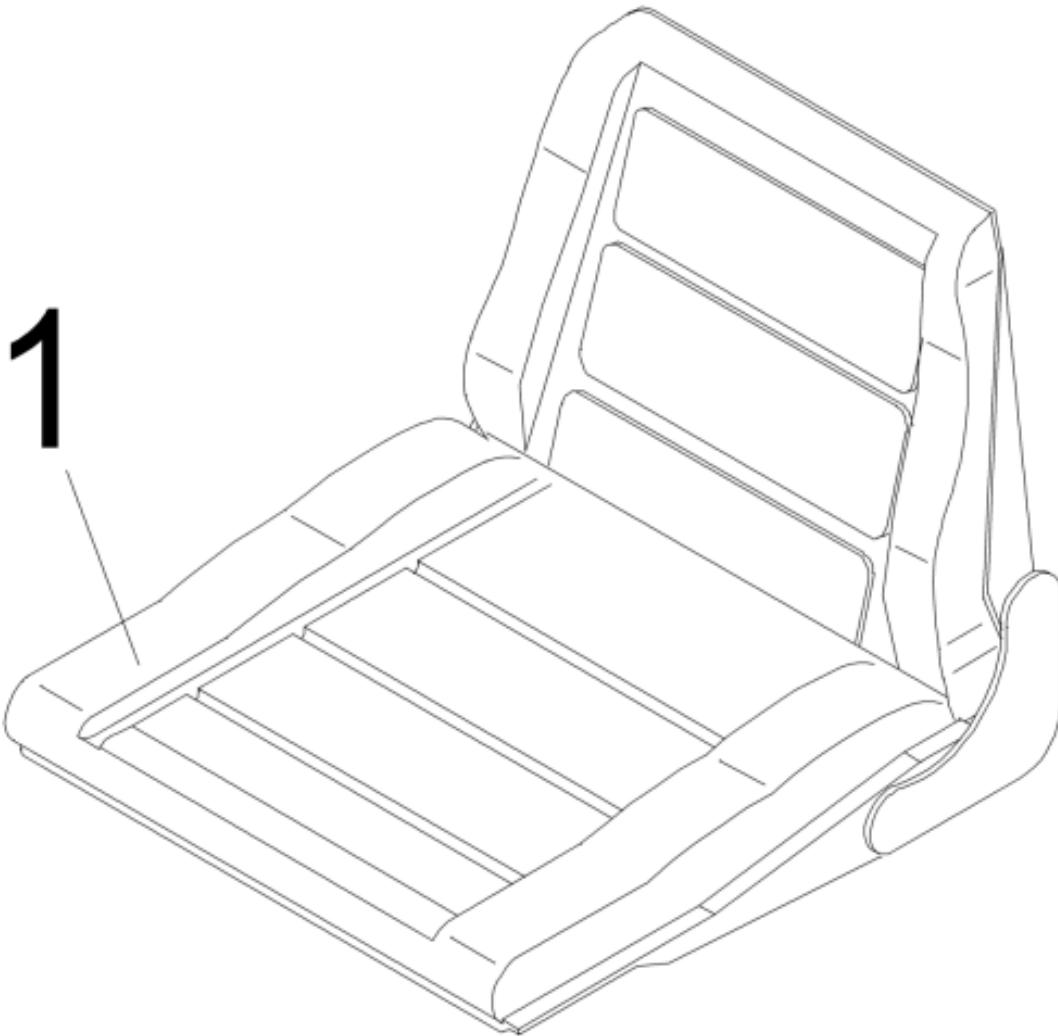
**HRH36L6301 01 平衡重总成**



HRH36L6301 01 Counter weight assembly							
HRH36L6301 01 平衡重总成							
序号 No.	零部件代号 Part No.	版本 Edition	名称 Part name		数量 Q'ty	备注 Remark	
1	H36L6-32011	00	5t Counter weight	5t 平衡重(普通后弦,中性)	1		
1	H36L6-32001	01	5t Counter weight	5t 平衡重(普通后弦)	1		
1	H36G6-32011	00	4t Counter weight	4t 平衡重(普通后弦,中性)	1		
1	H36G6-32001	01	4t Counter weight	4t 平衡重(普通后弦)	1		
2	KB0J6-55161	00	Screw	吊环螺钉	2	GB825-88	GB825-88
3	HY936-33011	01	Cap	平衡重饰盖	2		
4	B0330-08016-X	00	Combined bolt	组合螺栓 M8x16	4	GB/T 9074.17-88	GB/T 9074.17-88
5	HY936-30101	01	Balance the heavy protective net	平衡重防护网	1		
6	B0230-30200	00	Bolt M30x200	螺栓 M30x200	2	GB5782-86	GB5782-86
6	B0230-30260	00	Bolt M30x260	螺栓 M30x260	2	GB5782-86	GB5782-86
7	22216-30051	02	Washer	平垫圈	2		
8	B5050-00030	00	Washer 30	垫圈 30	2	GB93-87	GB93-87
9	25786-32041	04	Pin,drop	牵引销	1		

**HRG0DP6801 00 Seat**

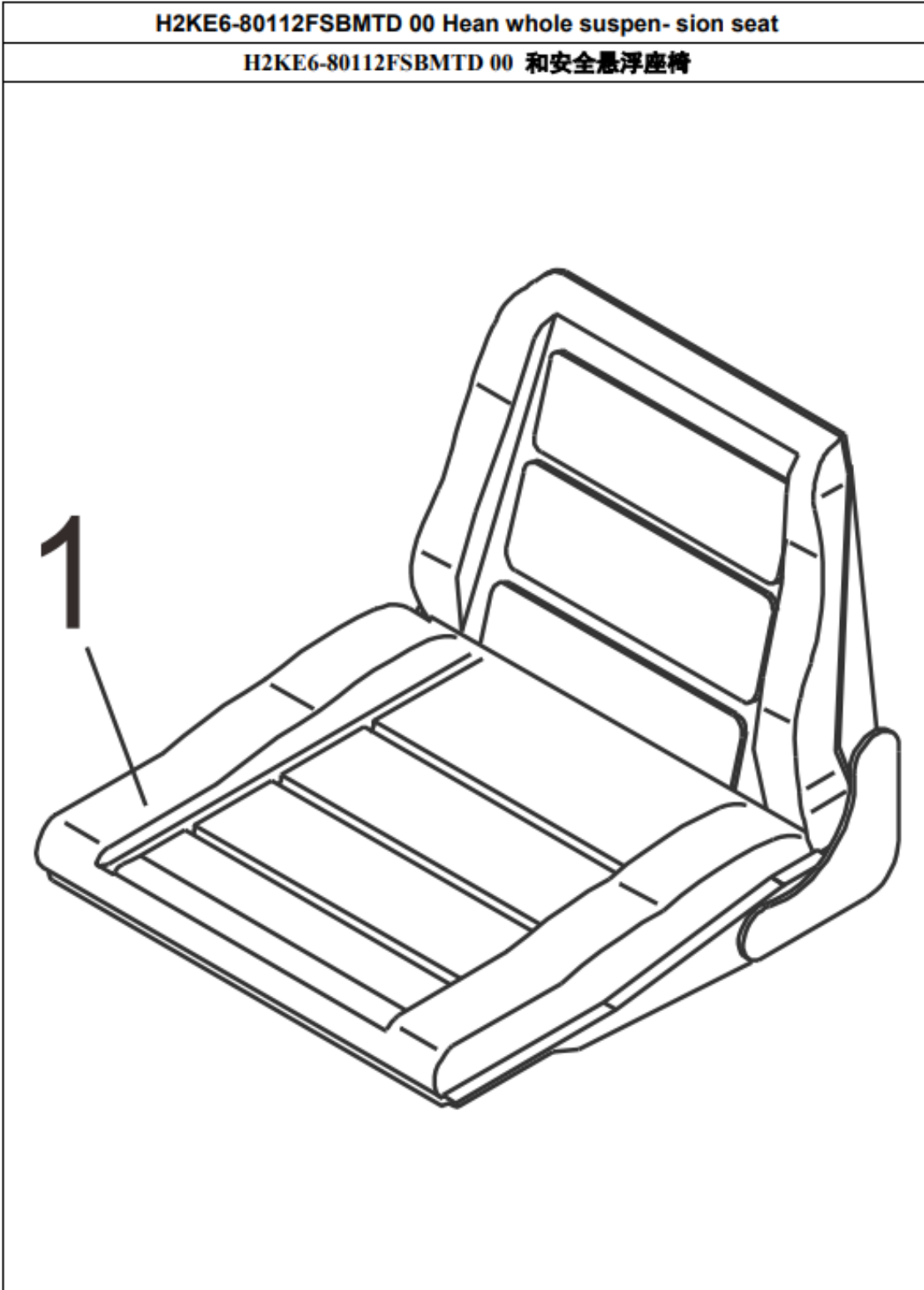
**HRG0DP6801 00 座椅类**



HRG0DP6801 00 Seat							
HRG0DP6801 00 座椅类							
序号 No.	零部件代号 Part No.	版本 Edition	名称 Part name		数量 Q'ty	备注 Remark	
1	A61Q6-81032	00	Gramm half suspen- sion seat	格拉姆半悬浮座椅	1	With safety switch,with shfety belt,with handrail,with waterproof file bag,without "HELI"	带安全开 关、安全 带,带扶 手,防水文 件袋,无 HELI 字样
1	A61Q6-80031	03	Tiancheng half suspen- sion seat	天成半悬浮座椅	1	With safety belt,with safety switch,,with handrail,with waterproof file bag	带安全带、 安全开关、 带扶手,防 水文件袋
1	H24C6-80161	00	Tiancheng whole suspen- sion seat	天成全悬浮座椅	1	With safety belt,with safety switch,,with handrail,with waterproof file bag,with "HELI"	带安全开 关、安全 带,带扶 手,防水文 件袋,带 HELI 字样
1	A7V96-80001	00	Hean half surround seat	和安半包围普通座椅	1	With"HELI", with safety belt,with safety switch,with file bag	带安全带、 安全开关、 非防水文件 袋,带 HELI 字样
1	H2KE6-80111	00	Hean half surround,whole suspension seat	和安半包围全悬浮座椅	1	With"HELI", with safety belt,with safety switch,with file bag	带安全带、 安全开关、 非防水文件 袋,带 HELI 字样
1	H2KE6-80031	00	Hean seat with hand- rail	和安带扶手普通座椅	1	With"HELI", with safety belt,with safety switch,with file bag	带安全带、 安全开关、 非防水文件 袋,带 HELI 字样
1	H2KE6-80071	00	Hean whole suspension seat with handrail	和安带扶手全悬浮座椅	1	With"HELI", with safety belt,with safety switch,with file bag	带安全带、 安全开关、 非防水文件 袋,带 HELI 字样
1	H24C6-81001	00	Multi-function armchair	多功能扶手座椅	1		
1	G0DP6-80301	00	Grammer multi- purpose handrail	格拉默多功能扶手	1		

H2KE6-80112FSBMTD 00 Hean whole suspen- sion seat

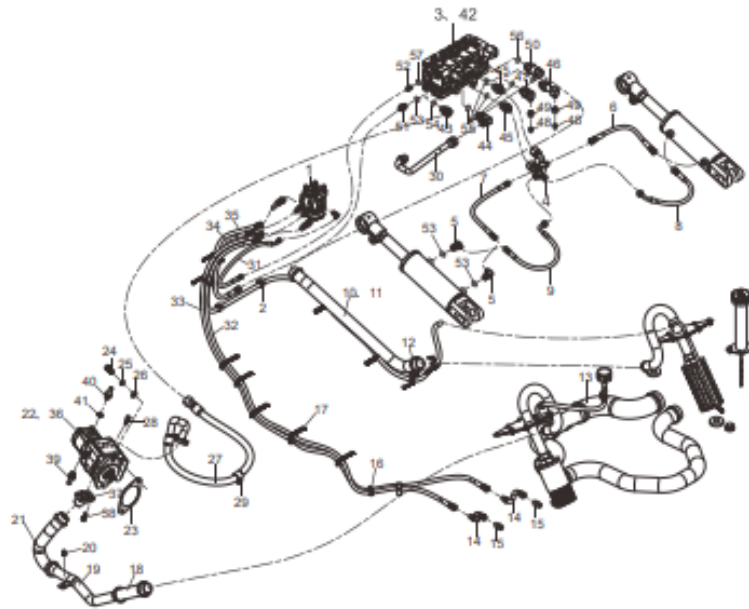
H2KE6-80112FSBMTD 00 和安全悬浮座椅



H2KE6-80112FSBMTD 00 Hean whole suspen- sion seat							
H2KE6-80112FSBMTD 00 和安全悬浮座椅							
序号 No.	零部件代号 Part No.	版本 Edition	名称 Part name		数量 Q'ty	备注 Remark	

**H36L7-60001 01 Hydraulic pipeline system**

**H36L7-60001 01 液压管路系统**

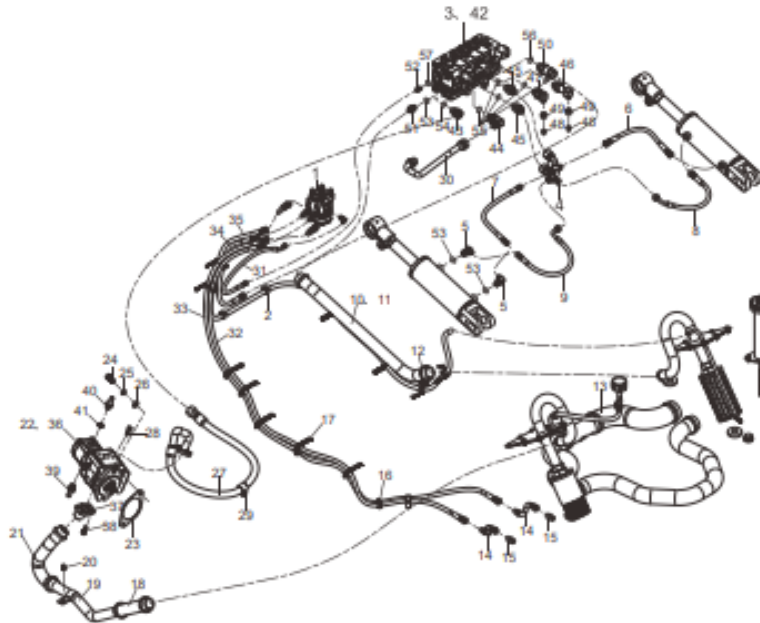


H36L7-60001 01 Hydraulic pipeline system							
H36L7-60001 01 液压管路系统							
序号 No.	零部件代号 Part No.	版本 Edition	名称 Part name		数量 Q'ty	备注 Remark	
1	G0DP7-60201	01	Synchronous steering assembly	同步转向器总成	1	Synchronous steering, Metric	同步转向用, 公制
1	G0DP7-60211	01	Redirector ass'y	转向器总成	1	Non-synchronous steering, Metric	非同步转向用, 公制
1	E0DP7-60201	00	Synchronous steering assembly	同步转向器总成(美制)	1	Synchronous steering, SAE	同步转向用, 美制
1	E0DP7-60211	00	Redirector ass'y	转向器总成(美制)	1	Non-synchronous steering, SAE	非同步转向用, 美制
2	D03XK0195	00	Support	线束固定卡	2		
3	HRH36L7311	00	Control valve	多路阀总成	1	Include 42-52	包含 42-52
4	HY937-61001	00	Tilt steel tube	倾斜钢管总成	1	Metric	公制
4	EY937-61001	00	Tilt steel tube	倾斜钢管总成	1	SAE	美制
5	JT6022-20201	00	Right angle joint	直角接头	4	Metric, including 53	公制, 包含 53
5	JT8022-34061	02	Right angle joint	直角接头	4	SAE, including 53	美制, 包含 53
6	Z9702-1004116	00	Hose H.P. 10llx410	高压胶管 10llx410	1	Metric	公制
6	Z7802-10a04116	00	Hose H.P. 10llx410	高压胶管 10llx410	1	SAE	美制
7	Z9702-1004416	00	Hose H.P. 10llx440	高压胶管 10llx440	1	Metric	公制
7	Z7802-10a04416	00	Hose H.P. 10llx440	高压胶管 10llx440	1	SAE	美制
8	Z9702-1004216V05	00	High pressure hose, elbow	高压胶管 10llx420, 135° 弯头	1	Metric	公制
8	Z7802-10a04216V07	00	High pressure hose, elbow	高压胶管 10llx420, 135° 弯头	1	SAE	美制
9	Z9702-1006316L08	00	High pressure hose, elbow	高压胶管 10llx630, 90° 弯头	1	Metric	公制
9	Z7802-10a06316L10	00	High pressure hose, elbow	高压胶管 10llx630, 90° 弯头	1	SAE	美制
10	HY937-62091	01	Return oil pipe	回油管	1	3, 4 pieces of valve	3、4 片阀用
11	HY937-62221	00	Return oil pipe	回油管	1	2 pieces of valve	2 片阀用
12	Z4592-40060	00	Clamp	德式喉箍 40-60	6		
13	H36L7-50001	01	Hydraulic tank accessories	液压油箱附件	1		
14	HY937-61051	00	Transition steel pipe	转向过渡钢管	2	Metric	公制
14	EY937-61071	00	Transition steel pipe	转向过渡钢管	2	SAE	美制
15	G50W5-46161	00	Straight joint	直通接头	2		
16	G2FB7-62051	01	Clip	管夹 16	1		
17	G2FB7-62061	02	Clip	管夹 22	11		



**H36L7-60001 01 Hydraulic pipeline system**

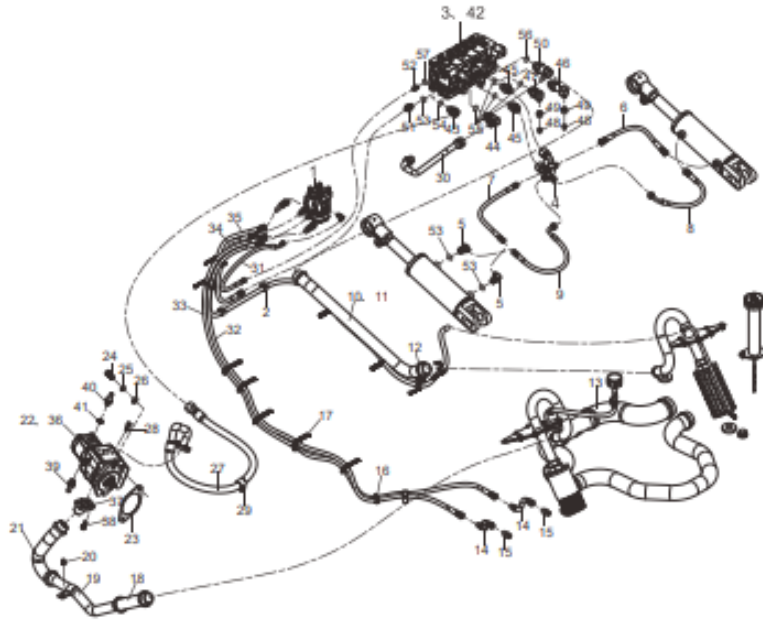
**H36L7-60001 01 液压管路系统**



H36L7-60001 01 Hydraulic pipeline system							
H36L7-60001 01 液压管路系统							
序号 No.	零部件代号 Part No.	版本 Edition	名称 Part name		数量 Q'ty	备注 Remark	
18	HY937-62081	00	Fuel sucking pipe	吸油管二	1		
19	HY937-61081	00	Fuel sucking pipe	吸油钢管总成	1		
20	B0330-08016-X	00	Combined bolt	组合螺栓 M8x16	1	GB/T 9074.17-88	GB/T 9074.17-88
21	HY937-62241	00	Oil suction hose	吸油胶管	1		
22	HRH36L7101	00	Gear pump assembly	齿轮泵总成	1	Include 36-41	包含 36-41
23	G0DP7-61651	00	Gear pump pad	齿轮泵垫	1		
24	B0530-14035	00	Bolt	螺栓 M14x1.5x35	2	GB5786-86	GB5786-86
25	B5050-00014	00	Washer	垫圈 14	2	GB93-87	GB93-87
26	B5310-00014	00	Washer	垫圈 14	2	GB97.1-85	GB97.1-85
27	HY937-60201	00	Steel High Pressure Hose Assembly (Metric)	钢高压胶管总成(公制)	1	Metric	公制
27	EY937-60201	00	Steel high pressure hose Assembly (SAE)	钢高压胶管总成(美制)	1	SAE	美制
28	B0330-10030-X	00	Combined bolt	组合螺栓 M10x30	4	GB/T 9074.17-88	GB/T 9074.17-88
29	ZF1C8-11081	01	Clip 30	管卡 30	1		
30	HY937-61031	01	Hoisting steel pipe	起升钢管总成	1	Metric	公制
30	EY937-61031	01	Hoisting steel pipe	起升钢管总成	1	SAE	美制
31	Z9701-0606512V07	00	High pressure hose,elbow	高压胶管 6lx650,135° 弯头	1	Metric	公制
31	Z7801-0606512V07	00	High pressure hose,elbow	高压胶管,Φ 6lx650,135° 弯头	1	SAE	美制
32	Z9701-1023516	00	Hose H.P. 10x2350	高压胶管总成 10x2350	1	Metric	公制
32	Z7801-1023516	00	Hose H.P. 10x2350	高压胶管总成 10x2350	1	SAE	美制
33	Z9701-1025716	00	Hose H.P. 10x2570	高压胶管总成 10x2570	1	Metric	公制
33	Z7801-1025716	00	Hose H.P. 10x2570	高压胶管总成 10x2570	1	SAE	美制
34	Z9701-1006816	00	Hose H.P. 10x680	高压胶管总成 10x680	1	Metric	公制
34	Z7801-1006816	00	Hose H.P. 10x680	高压胶管总成 10x680	1	SAE	美制
35	Z7300-13250	00	Hose L.P.	低压胶管 Φ 13x2500	1	JB/T8406-2008 type A	JB/T8406-2008 A 型
36	HY937-10021	00	Double gear pump	双联齿轮泵	1	HRHY93710 1	HRHY93710 1
37	HY937-61061	00	Oil suction flange	吸油法兰总成	1		
38	B0330-10030-X1	00	Combined bolt	组合螺栓 M10x30	4	GB/T9074.1 5-88	GB/T9074.1 5-88
39	JT6021-20061	00	Straight joint	直通接头	1		
40	Z6700-01827	00	Washer 18	组合垫圈 18	1	JB982-77	JB982-77
41	JT6025-18111	01	Through body	直通接头体	1		

**H36L7-60001 01 Hydraulic pipeline system**

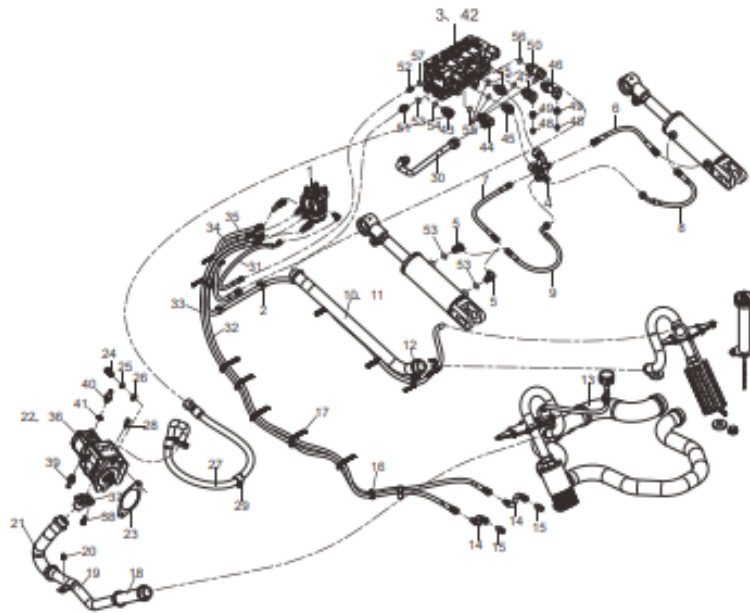
**H36L7-60001 01 液压管路系统**



H36L7-60001 01 Hydraulic pipeline system							
H36L7-60001 01 液压管路系统							
序号 No.	零部件代号 Part No.	版本 Edition	名称 Part name		数量 Q'ty	备注 Remark	
42	H36L7-30201	01	Control valve	多路阀	1	HRH36L730 1,4T,non-OPS,two piece valve	HRH36L730 1,4t,非 OPS, 二片阀
42	H36L7-30301	01	Control valve	多路阀	1	HRH36L730 1,4T,non-OPS,three piece valve	HRH36L730 1,4t,非 OPS, 三片阀
42	H36L7-30401	01	Control valve	多路阀	1	HRH36L730 1,4T,non-OPS,four piece valve	HRH36L730 1,4t,非 OPS, 四片阀
42	H36L7-31201	01	Control valve	多路阀	1	HRH36L730 1,4t,OPS, Two piece valve	HRH36L730 1,4t,OPS,二 片阀
42	H36L7-31301	01	Control valve	多路阀	1	HRH36L730 1,4t,OPS, Three piece valve	HRH36L730 1,4t,OPS,三 片阀
42	H36L7-31401	01	Control valve	多路阀	1	HRH36L730 1,4t,OPS, Four piece valve	HRH36L730 1,4t,OPS,四 片阀
42	H36L7-32201	01	Control valve	多路阀	1	HRH36L730 1,5T,non-OPS,two piece valve	HRH36L730 1,5t,非 OPS, 二片阀
42	H36L7-32301	01	Control valve	多路阀	1	HRH36L730 1,5T,non-OPS,three piece valve	HRH36L730 1,5t,非 OPS, 三片阀
42	H36L7-32401	01	Control valve	多路阀	1	HRH36L730 1,5T,non-OPS,four piece valve	HRH36L730 1,5t,非 OPS, 四片阀
42	H36L7-33201	01	Control valve	多路阀	1	HRH36L730 1,5t,OPS, Two piece valve	HRH36L730 1,5t,OPS,二 片阀
42	H36L7-33301	01	Control valve	多路阀	1	HRH36L730 1,5t,OPS, Three piece valve	HRH36L730 1,5t,OPS,三 片阀
42	H36L7-33401	01	Control valve	多路阀	1	HRH36L730 1,5t,OPS, Four piece valve	HRH36L730 1,5t,OPS,四 片阀
43	JT7021-34141	00	Straight joint	直通接头	1	Metric,includ ing 54	公制,包含 54
43	JT8021-36011	03	Straight joint	直通接头	1	SAE,includin g 54	美制,包含 54
44	JT6022-30151	00	Right angle joint	直角接头	1	Include 55	包含 55
45	JT6021-30221	01	Straight joint	直通接头	2	Include 55	包含 55
46	JT6022-30141	00	Right angle joint	直角接头	1	Metric,three- piece valve,includ ing 55	公制,三片阀, 包含 55
46	JT6022-30141	00	Right angle joint	直角接头	2	Metric,four valves,includ ing 55	公制,四片阀, 包含 55
46	JT8022-96071	02	Right angle joint	直角接头	1	SAE,three- piece valve,includ es 55	美制,三片阀, 包含 55

**H36L7-60001 01 Hydraulic pipeline system**

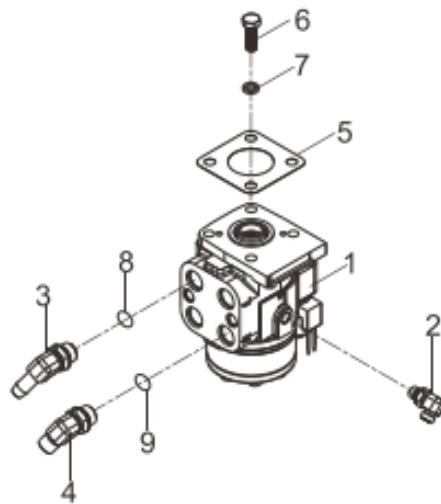
**H36L7-60001 01 液压管路系统**



H36L7-60001 01 Hydraulic pipeline system							
H36L7-60001 01 液压管路系统							
序号 No.	零部件代号 Part No.	版本 Edition	名称 Part name		数量 Q'ty	备注 Remark	
46	JT8022-96071	02	Right angle joint	直角接头	2	SAE, four-piece valve, including 55	美制, 四片阀, 包含 55
47	JT6022-30131	00	Right angle joint	直角接头	1	Metric, three-piece valve, including 55	公制, 三片阀, 包含 55
47	JT6022-30131	00	Right angle joint	直角接头	2	Metric, four valves, including 55	公制, 四片阀, 包含 55
47	JT8022-96081	02	Right angle joint	直角接头	1	SAE, three-piece valve, includes 55	美制, 三片阀, 包含 55
47	JT8022-96081	02	Right angle joint	直角接头	2	SAE, four-piece valve, including 55	美制, 四片阀, 包含 55
48	AA3G7-32011	00	Plug	24° 锥 M18 堵头	2	Metric, Three-throw	公制, 三片阀
48	AA3G7-32011	00	Plug	24° 锥 M18 堵头	4	Metric, Four-throw	公制, 四片阀
48	E12A7-60251	01	Plug	堵头	2	SAE, Three-throw	美制, 三片阀
48	E12A7-60251	01	Plug	堵头	4	SAE, Four-throw	美制, 四片阀
49	AA3G7-32001	00	Nut	M18 螺母	2	Metric, Three-throw	公制, 三片阀
49	AA3G7-32001	00	Nut	M18 螺母	4	Metric, Four-throw	公制, 四片阀
50	JT6021-33011	03	Straight joint	直通接头	1	Include 56	包含 56
51	KB0J7-61321	00	Straight joint	直通接头	1	Metric	公制
51	JT8021-96181	02	Straight joint	直通接头	1	SAE, including 53	美制, 包含 53
52	KB0J7-61381	00	Straight joint	直通接头	1	Metric	公制
52	JT8021-96021	01	Straight joint	直通接头	1	SAE, Inc. 57	美制, 包含 57
53	Z6006-01782	00	O-ring	O 型密封圈 17.8x2.4	5	JIS B2401	JIS B2401
54	Z6006-02373	00	O-ring	O 型密封圈 23.7x3.5	1	JIS B2401	JIS B2401
55	Z6006-02573	00	O-ring	O 型密封圈 P26.25.7x3.5	4	JIS B2401	JIS B2401
56	Z6005-02873	00	O-ring	O 型密封圈 P29.28.7x3.5	1	JIS B2401	JIS B2401
57	Z6006-00982	00	O-ring P10A:9.8x2.4	O 型密封圈 P10A:9.8x2.4	1	JIS B2401	JIS B2401

**G0DP7-60201 01 Synchronous steering assembly**

**G0DP7-60201 01 同步转向器总成**

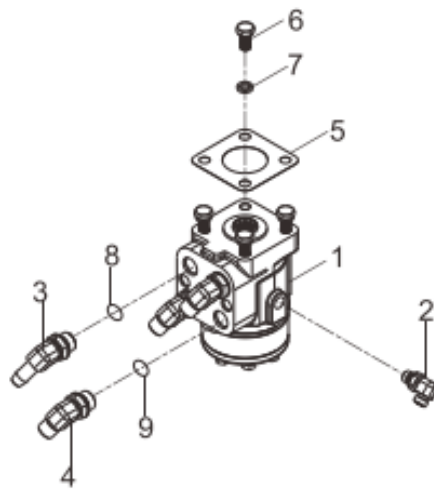


G0DP7-60201 01 Synchronous steering assembly							
G0DP7-60201 01 同步转向器总成							
序号 No.	零部件代号 Part No.	版本 Edition	名称 Part name		数量 Q'ty	备注 Remark	
1	G0DP4-10411	01	Steering unit	转向器	1		
2	G7B37-63501	00	Straight joint	直通接头	1	HRG7B3760 2	HRG7B3760 2
3	H1M57-60251	01	Elbow	60度接头	1	Include 8	包含 8
4	G0DP7-61261	01	Elbow	60度接头	3	Include 9	包含 9
5	H24C4-12231	02	Adjusting pad	调整垫	1		
6	B0330-10030	00	Bolt	螺栓 M10x30	4	GB5783-86	GB5783-86
7	B5050-00010	00	Washer	垫圈 10	4	GB93-87	GB93-87
8	Z6005-01782	00	O-ring	O型密封圈 P18:17.8x2.4	1	JIS B2401	JIS B2401
9	Z6006-01782	00	O-ring	O型密封圈 17.8x2.4	3	JIS B2401	JIS B2401



**G0DP7-60211 01 Redirector ass'y**

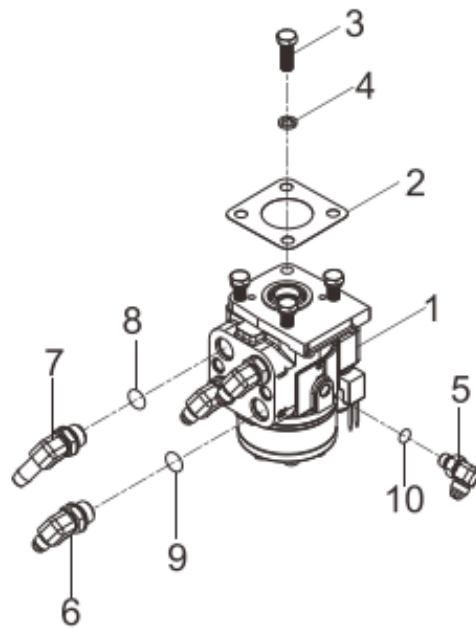
**G0DP7-60211 01 转向器总成**





**E0DP7-60201 00 Synchronous steering assembly**

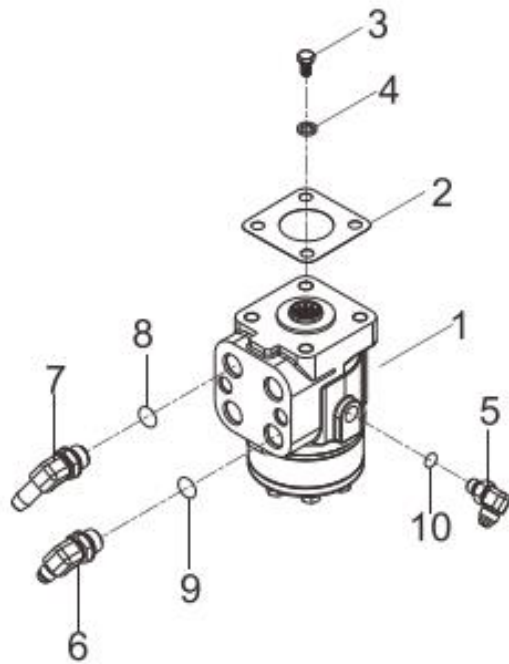
**E0DP7-60201 00 同步转向器总成(美制)**



E0DP7-60201 00 Synchronous steering assembly							
E0DP7-60201 00 同步转向器总成(美制)							
序号 No.	零部件代号 Part No.	版本 Edition	名称 Part name		数量 Q'ty	备注 Remark	
1	G0DP4-10411	01	Steering unit	转向器	1		
2	H24C4-12231	02	Adjusting pad	调整垫	1		
3	B0330-10030	00	Bolt	螺栓 M10x30	4	GB5783-86	GB5783-86
4	B5050-00010	00	Washer	垫圈 10	4	GB93-87	GB93-87
5	JT8022-96091	02	Right angle joint	直角接头	1	Include 10	包含 10
6	E1M57-60241	01	Elbow	60 度接头	3	Include 9	包含 9
7	H1M57-60251	01	Elbow	60 度接头	1	Include 8	包含 8
8	Z6005-01782	00	O-ring	O 型密封圈 P18:17.8x2.4	1	JIS B2401	JIS B2401
9	Z6006-01782	00	O-ring	O 型密封圈 17.8x2.4	3	JIS B2401	JIS B2401
10	Z6006-00982	00	O-ring P10A:9.8x2.4	O 型密封圈 P10A:9.8x2.4	1	JIS B2401	JIS B2401

**E0DP7-60211 00 Redirector ass'y**

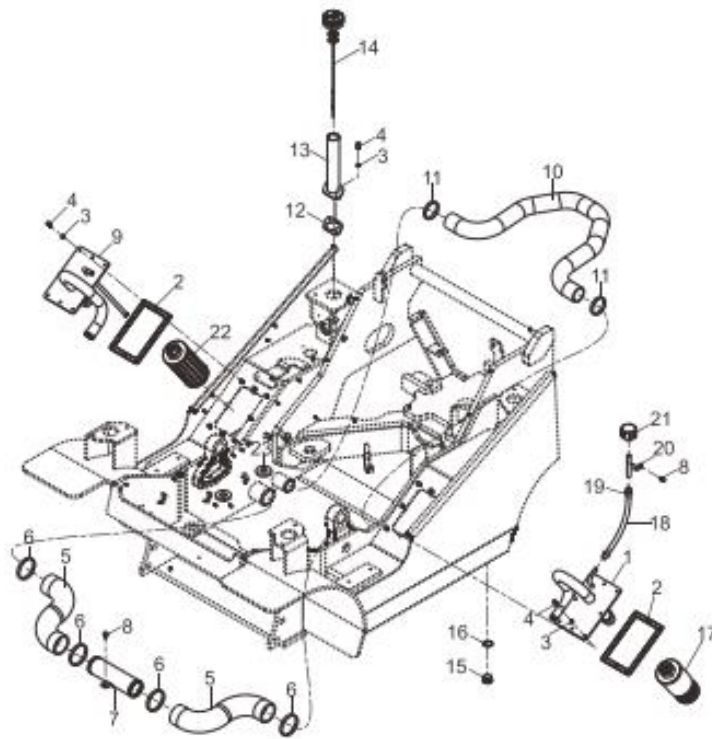
**E0DP7-60211 00 转向器总成(美制)**





**H36L7-50001 01 Hydraulic tank accessories**

**H36L7-50001 01 液压油箱附件**



H36L7-50001 01 Hydraulic tank accessories							
H36L7-50001 01 液压油箱附件							
序号 No.	零部件代号 Part No.	版本 Edition	名称 Part name		数量 Q'ty	备注 Remark	
1	H36L7-50101	01	Oil suction cover assembly	吸油盖板总成	1		
2	G0U27-62181	05	Gasket	盖板垫	2		
3	Z6701-00827	00	Washer	组合垫圈 8	17	JB982-77	JB982-77
4	B0330-08020	00	Bolt	螺栓 M8x20	17	GB5783-86	GB5783-86
5	H36L7-62001	00	Hose	胶管一	2		
6	Z4592-70090	00	Clamp 70-90	德式喉箍 70-90	4		
7	H36L7-60101	00	Steel pipe	钢管总成	1		
8	B0330-08016-X	00	Combined bolt	组合螺栓 M8x16	2	GB/T 9074.17-88	GB/T 9074.17-88
9	H36L7-50111	01	Oil return cover assembly	回油盖板总成	1		
10	H36L7-62011	00	Hose	胶管二	1		
11	Z4592-50070	00	Clamp 50~70	德式喉箍 50~70	2		
12	G0DP6-12621	00	Lubricator gasket	加油口密封垫	1		
13	HY937-51021	00	Fuel tubing assembly	加油油管总成	1		
14	K0U07-60221H	02	Cap ass'y	加油盖总成	1		
15	22197-52081	04	Plug	放油螺塞	2		
16	Z6700-03027	00	Washer	组合垫圈 30	2	JB982-77	JB982-77
17	HY937-52061	00	Strainer	吸油滤油器	1		
18	Z7300-13036	00	Low pressure hose	低压胶管, $\Phi 13 \times 360$	1	JB/T8406-2008 type A	JB/T8406-2008 A 型
19	Z4592-12022	01	Clamp	德式喉箍 12~22	2		
20	HY937-50201	00	Steel tube	呼吸器钢管总成	1		
21	G27Z7-50402	00	Breathable hat	透气帽	1		
22	HY937-52051	00	Return oil filter	回油滤油器	1		
23	G0176-10011	00	Magnet	磁铁 $\Phi 68 / \Phi 37 \times 14$	4		



**K0U07-60221H 02 Cap ass'y**

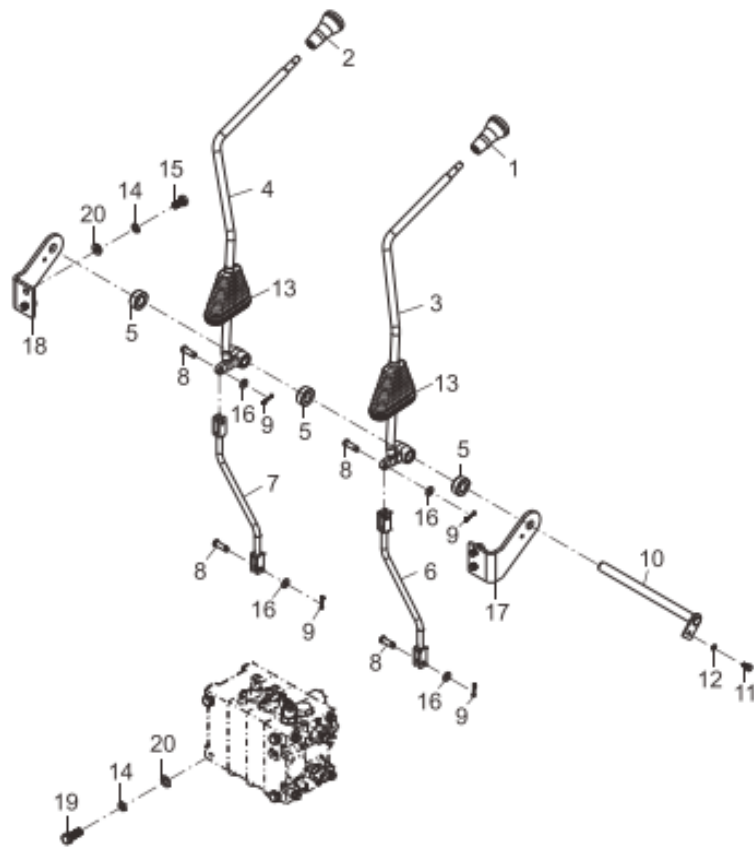
**K0U07-60221H 02 加油盖总成**



K0U07-60221H 02 Cap ass'y						
K0U07-60221H 02 加油盖总成						
序号 No.	零部件代号 Part No.	版本 Edition	名称 Part name		数量 Q'ty	备注 Remark
1	K0U07-62041H	01	Rod,lever	油标尺	1	
2	B3010-02016	00	Pin 2 x16	销 2x16	3	GB91-86 GB91-86
3	AE937-60721	01	Cap	挡油盖	2	
4	AE937-60731A	00	Cap ass'y	加油盖总成	1	

**HRHY937401-1 02 Valve control linkage**

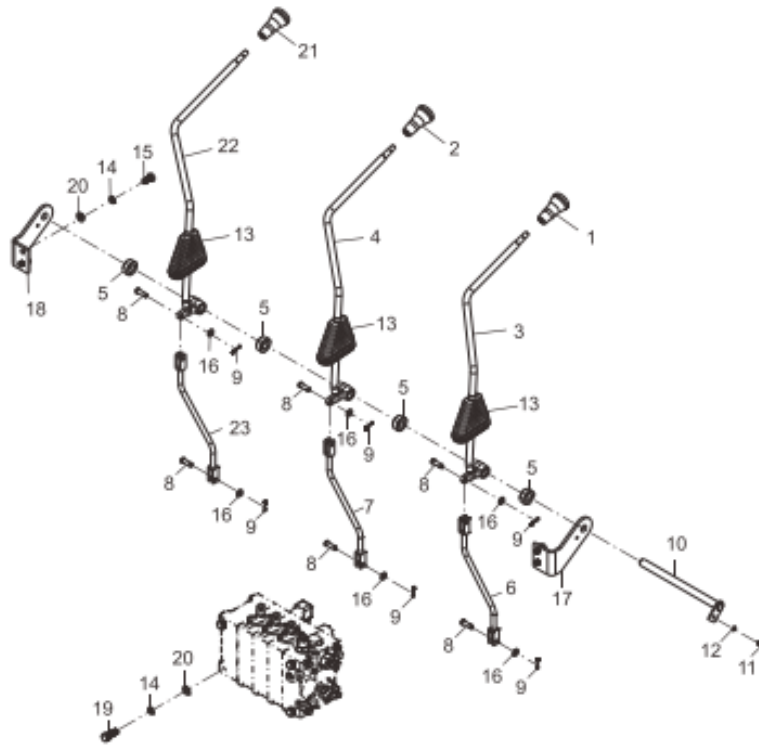
**HRHY937401-1 02 阀操纵总成(二片阀)**



HRHY937401-1 02 Valve control linkage							
HRHY937401-1 02 阀操纵总成(二片阀)							
序号 No.	零部件代号 Part No.	版本 Edition	名称 Part name		数量 Q'ty	备注 Remark	
1	214A7-42001	01	Knob,lever (lift)	手柄(升降)	1	HRA22A740 6	HRA22A740 6
2	214A7-42011	01	Knob,lever (tilt)	手柄(倾斜)	1	HRA22A740 6	HRA22A740 6
3	HY937-41011	00	Lever assembly	第一操纵杆总成	1	HRHY93741 1	HRHY93741 1
4	HY937-41021	00	Lever assembly	第二操纵杆总成	1	HRHY93741 1	HRHY93741 1
5	23917-42161	01	Sleeve	套	3		
6	HY937-41091	00	Connecting rod assembly	第一连接杆总成	1	HRHY93743 1	HRHY93743 1
7	HY937-41101	00	Connecting rod assembly	第二连接杆总成	1	HRHY93743 1	HRHY93743 1
8	B3220-08026	00	Pin	销 B8x26	4	GB882-86	GB882-86
9	B3010-3P216	00	Pin	销 3.2x16	4	GB91-86	GB91-86
10	HY937-41071	00	Connet shaft assembly	四片阀连接轴总成	1	HRHY93746 1	HRHY93746 1
11	B0330-06012	00	Bolt	螺栓 M6x12	1	GB5783-86	GB5783-86
12	B5050-00006	00	Washer,lock	垫圈 6	1	GB93-87	GB93-87
13	G0U27-52221	01	Boot	护套	2		
14	B5050-00010	00	Washer	垫圈 10	8	GB93-87	GB93-87
15	B0330-10025	00	Bolt	螺栓 M10x25	4	GB5783-86	GB5783-86
16	B5310-00008	00	Washer	垫圈 8	4	GB97.1-85	GB97.1-85
17	HY937-42141	00	Bracket, valve lever	阀杆支架(左)	1		
18	HY937-42131	00	Stem stents R.H.	阀杆支架(右)	1		
19	B0530-10020	00	Bolt	螺栓 M10x1.25x20	4	GB5786-86	GB5786-86
20	B5310-00010	00	Washer	垫圈 10	8	GB97.1-85	GB97.1-85

**HRHY937401-2 02 Valve control linkage**

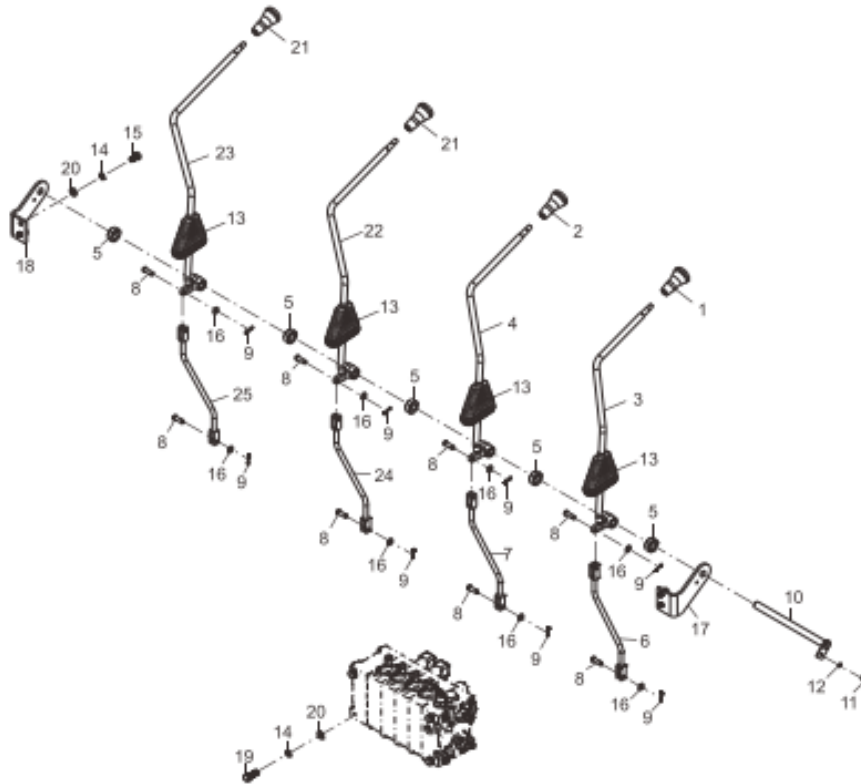
**HRHY937401-2 02 阀操纵总成(三片阀)**



HRHY937401-2 02 Valve control linkage							
HRHY937401-2 02 阀操纵总成(三片阀)							
序号 No.	零部件代号 Part No.	版本 Edition	名称 Part name		数量 Q'ty	备注 Remark	
1	214A7-42001	01	Knob,lever (lift)	手柄(升降)	1	HRA22A740 6	HRA22A740 6
2	214A7-42011	01	Knob,lever (tilt)	手柄(倾斜)	1	HRA22A740 6	HRA22A740 6
3	HY937-41011	00	Lever assembly	第一操纵杆总成	1	HRHY93741 1	HRHY93741 1
4	HY937-41021	00	Lever assembly	第二操纵杆总成	1	HRHY93741 1	HRHY93741 1
5	23917-42161	01	Sleeve	套	4		
6	HY937-41091	00	Connecting rod assembly	第一连接杆总成	1	HRHY93743 1	HRHY93743 1
7	HY937-41101	00	Connecting rod assembly	第二连接杆总成	1	HRHY93743 1	HRHY93743 1
8	B3220-08026	00	Pin	销 B8x26	6	GB882-86	GB882-86
9	B3010-3P216	00	Pin	销 3.2x16	6	GB91-86	GB91-86
10	HY937-41071	00	Connet shaft assembly	四片阀连接轴总成	1	HRHY93746 1	HRHY93746 1
11	B0330-06012	00	Bolt	螺栓 M6x12	1	GB5783-86	GB5783-86
12	B5050-00006	00	Washer,lock	垫圈 6	1	GB93-87	GB93-87
13	G0U27-52221	01	Boot	护套	3		
14	B5050-00010	00	Washer	垫圈 10	8	GB93-87	GB93-87
15	B0330-10025	00	Bolt	螺栓 M10x25	4	GB5783-86	GB5783-86
16	B5310-00008	00	Washer	垫圈 8	6	GB97.1-85	GB97.1-85
17	HY937-42141	00	Bracket, valve lever	阀杆支架(左)	1		
18	HY937-42131	00	Stem stents R.H.	阀杆支架(右)	1		
19	B0530-10020	00	Bolt	螺栓 M10x1.25x20	4	GB5786-86	GB5786-86
20	B5310-00010	00	Washer	垫圈 10	8	GB97.1-85	GB97.1-85
21	HRA22A7406	00	Knob,lever	手柄	1		
22	HY937-41031	00	Third lever assembly	第三操纵杆总成	1	HRHY93741 1	HRHY93741 1
23	HY937-41111	00	Third connecting rod assembly	第三连接杆总成	1	HRHY93743 1	HRHY93743 1

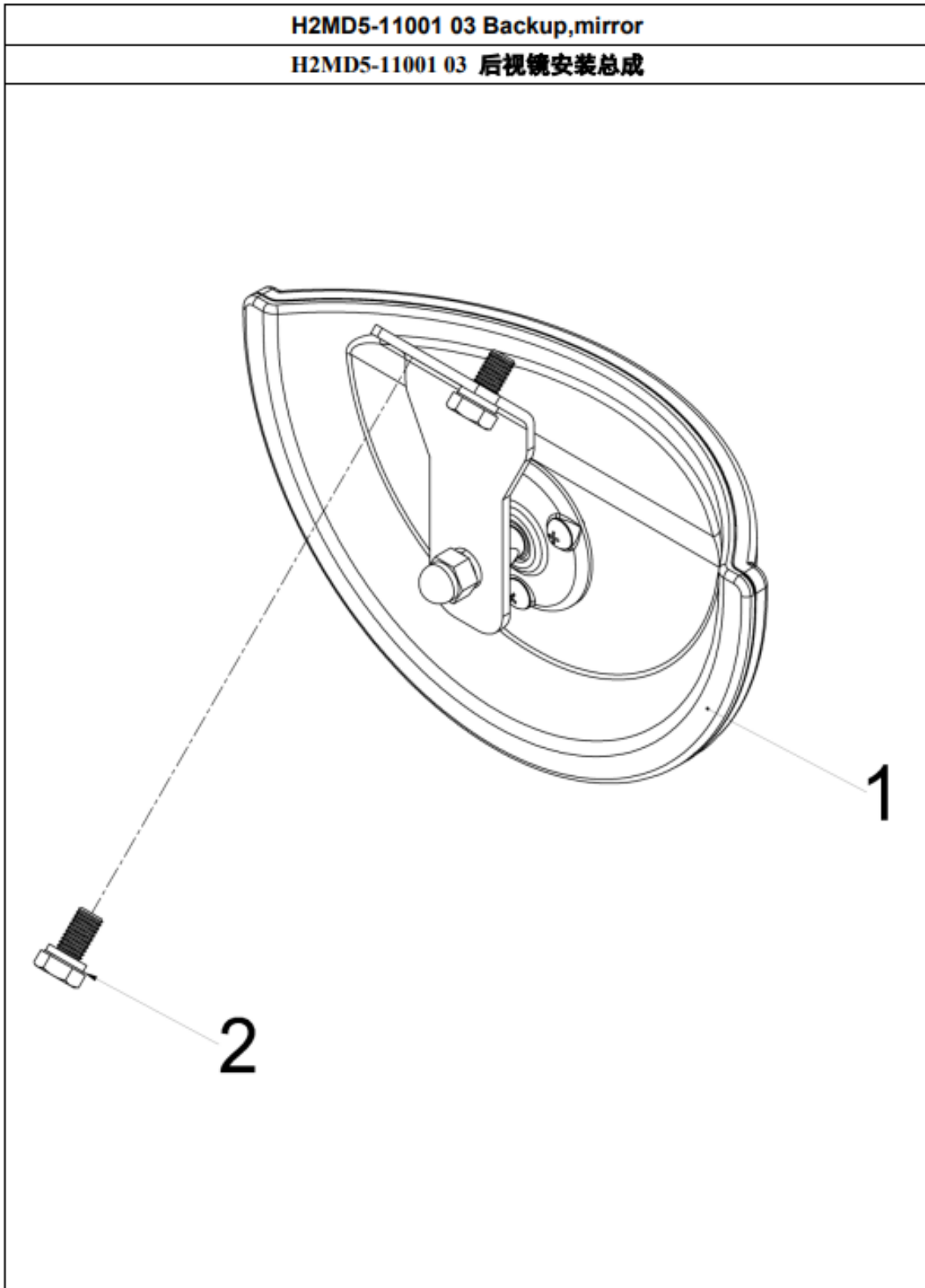
**HRHY937401-3 02 Valve control linkage**

**HRHY937401-3 02 阀操纵总成(四片阀)**



HRHY937401-3 02 Valve control linkage							
HRHY937401-3 02 阀操纵总成(四片阀)							
序号 No.	零部件代号 Part No.	版本 Edition	名称 Part name		数量 Q'ty	备注 Remark	
1	214A7-42001	01	Knob,lever (lift)	手柄(升降)	1	HRA22A740 6	HRA22A740 6
2	214A7-42011	01	Knob,lever (tilt)	手柄(倾斜)	1	HRA22A740 6	HRA22A740 6
3	HY937-41011	00	Lever assembly	第一操纵杆总成	1	HRHY93741 1	HRHY93741 1
4	HY937-41021	00	Lever assembly	第二操纵杆总成	1	HRHY93741 1	HRHY93741 1
5	23917-42161	01	Sleeve	套	5		
6	HY937-41091	00	Connecting rod assembly	第一连接杆总成	1	HRHY93743 1	HRHY93743 1
7	HY937-41101	00	Connecting rod assembly	第二连接杆总成	1	HRHY93743 1	HRHY93743 1
8	B3220-08026	00	Pin	销 B8x26	8	GB882-86	GB882-86
9	B3010-3P216	00	Pin	销 3.2x16	8	GB91-86	GB91-86
10	HY937-41071	00	Connet shaft assembly	四片阀连接轴总成	1	HRHY93746 1	HRHY93746 1
11	B0330-06012	00	Bolt	螺栓 M6x12	1	GB5783-86	GB5783-86
12	B5050-00006	00	Washer,lock	垫圈 6	1	GB93-87	GB93-87
13	G0U27-52221	01	Boot	护套	4		
14	B5050-00010	00	Washer	垫圈 10	8	GB93-87	GB93-87
15	B0330-10025	00	Bolt	螺栓 M10x25	4	GB5783-86	GB5783-86
16	B5310-00008	00	Washer	垫圈 8	8	GB97.1-85	GB97.1-85
17	HY937-42141	00	Bracket, valve lever	阀杆支架(左)	1		
18	HY937-42131	00	Stem stents R.H.	阀杆支架(右)	1		
19	B0530-10020	00	Bolt	螺栓 M10x1.25x20	4	GB5786-86	GB5786-86
20	B5310-00010	00	Washer	垫圈 10	8	GB97.1-85	GB97.1-85
21	HRA22A7406	00	Knob,lever	手柄	2		
22	HY937-41031	00	Third lever assembly	第三操纵杆总成	1	HRHY93741 1	HRHY93741 1
23	HY937-41041	00	Fourth lever assembly	第四操纵杆总成	1	HRHY93741 1	HRHY93741 1
24	HY937-41111	00	Third connecting rod assembly	第三连接杆总成	1	HRHY93743 1	HRHY93743 1
25	HY937-41121	00	Fourth connecting rod assembly	第四连接杆总成	1	HRHY93743 1	HRHY93743 1

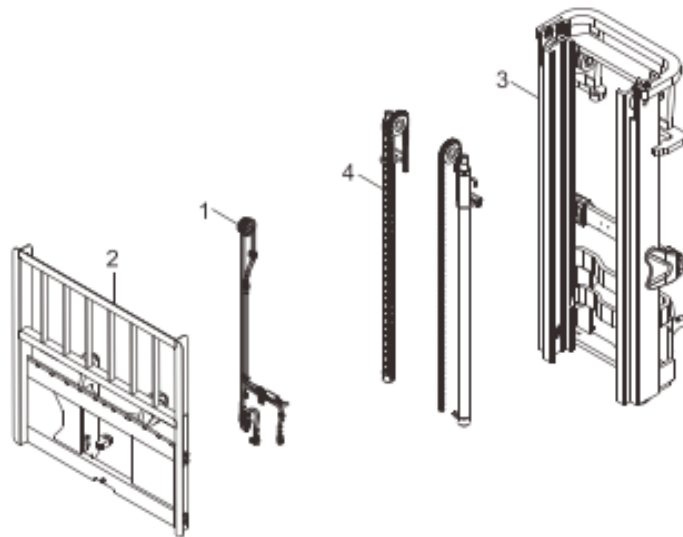






**HRDY938001 00 Lifting system(normal mast)**

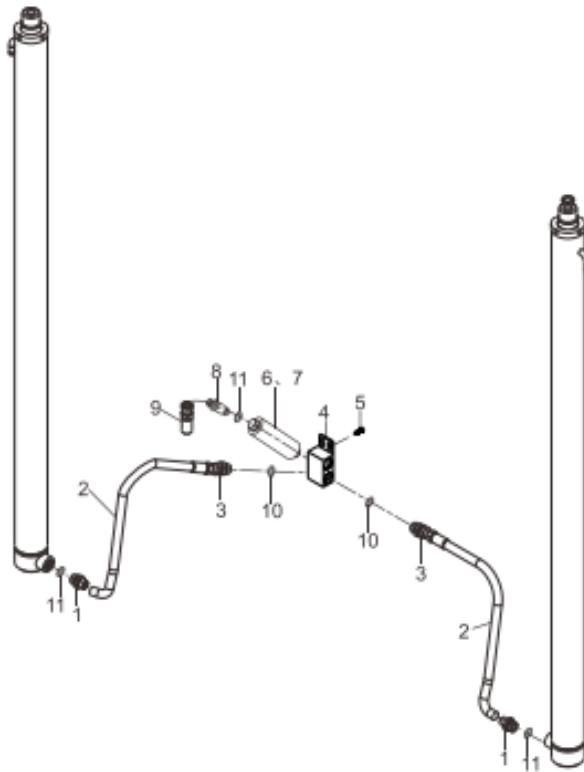
**HRDY938001 00 起重系统(M)**





**DY938-60001 00 Mast hydraulic system(SAE)**

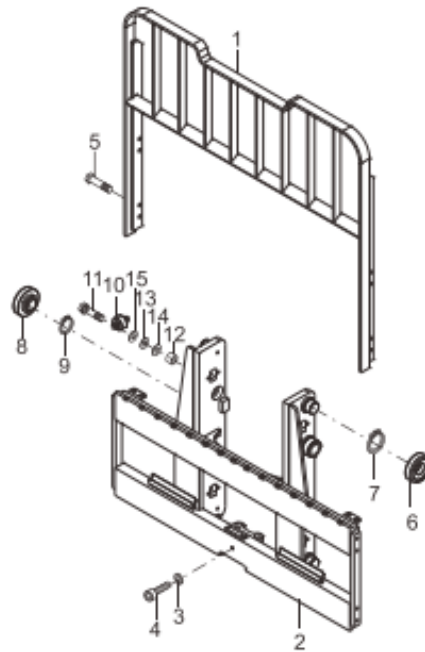
**DY938-60001 00 门架管路系统(美制)**





**HRDY938001-1 00 Lift bracket & backrest**

**HRDY938001-1 00 货叉架及挡货架**



货叉架挡货架选用件表  
FORK OPTIONAL PARTS

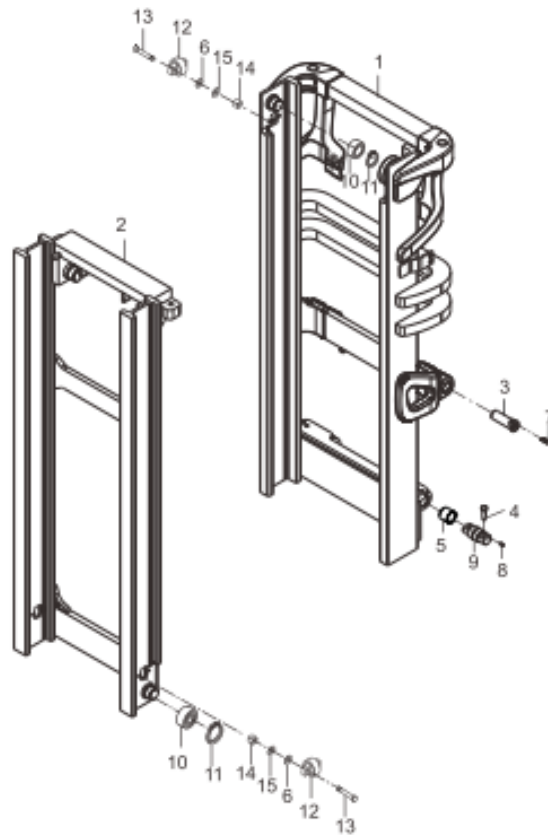
宽度 LENGTH	挡货架 Backrest	货叉架 Lift bracket NO.	备注 REMARK
1200	D00P0-20501	D7820-20071	
1286	D00P0-20571	D7820-20001	
1380	D00P0-20511	D7820-20011	
1500	D00P0-20521	D7820-20021	
1600	D00P0-20531	D7820-20031	
1800	D00P0-20541	D7820-20041	
2000	D00P0-20551	D7820-20051	
2200	D00P0-20561	D7820-20061	





**HRDY938001-2 00 Mast**

**HRDY938001-2 00 门架**



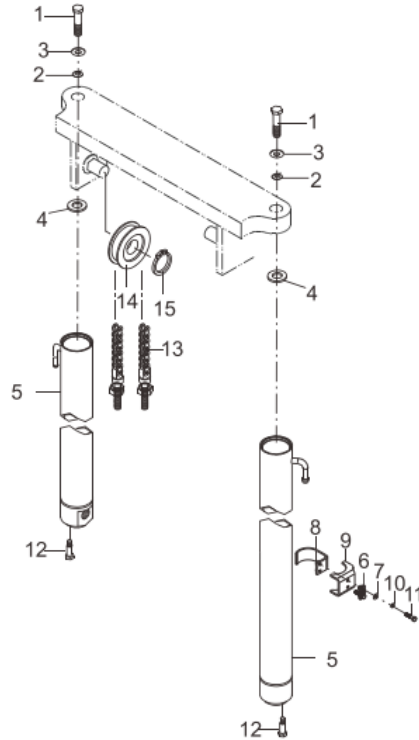
门架选用件  
MAST OPTION TABLE

起升高度 LIFTING HEIGHT	外门架总成 OUTER OUTER	内门架总成 INNER OUTER	备注 REMARK
250	HRDY938301 0Y938-10001	HRDY938302 0Y938-10001	
300	HRDY938301 0Y938-10011	HRDY938302 0Y938-10011	标配 STD
330	HRDY938301 0Y938-10001	HRDY938302 0Y938-10001	
350	HRDY938301 0Y938-10001	HRDY938302 0Y938-10001	
370	HRDY938301 0Y938-10041	HRDY938302 0Y938-10041	
400	HRDY938301 0Y938-10051	HRDY938302 0Y938-10051	
425	HRDY938301 0Y938-10061	HRDY938302 0Y938-10061	
450	HRDY938301 0Y938-10071	HRDY938302 0Y938-10071	
475	HRDY938301 0Y938-10081	HRDY938302 0Y938-10081	
500	HRDY938301 0Y938-10091	HRDY938302 0Y938-10091	
550	HRDY938301 0Y938-10101	HRDY938302 0Y938-10101	
600	HRDY938301 0Y938-10111	HRDY938302 0Y938-10111	

HRDY938001-2 00 Mast							
HRDY938001-2 00 门架							
序号 No.	零部件代号 Part No.	版本 Edition	名称 Part name		数量 Q'ty	备注 Remark	
1	HRDY938301	00	Outer mast	外门架总成	1	See table	见附表
2	HRDY938302	00	Inner mast	内门架总成	1	See table	见附表
3	D0CP8-00521	01	Pin	倾斜油缸销轴	2		
4	D0CP8-00601	00	Toothed bolt	带齿螺栓	4		
5	D0CP8-00511	00	Bushing	钢背轴承	2		
6	22548-34061	02	Shim	调整垫圈	12	AR	按需
7	B0530-10020-X1	00	Combined bolt M10x1.25x20	组合螺栓 M10x1.25x20	2	GB5786-86	GB5786-86
8	Q701B45M	00	Fitting	弯颈式滑脂嘴(带防尘帽)	2		
9	D0CP8-00501G	01	Support shaft	门架支撑轴	2		
10	D0CP8-70201	02	End roller	主滚轮	4		
11	B6150-00050	00	Snap ring	挡圈 50	4	GB894.1-86	GB894.1-86
12	D0CP8-70211	00	Side roller	侧滚轮	4		
13	B0430-12045	00	Bolt	螺栓 M12x1.25x45	8	GB5785-86	GB5785-86
14	23818-30071	02	Spacer	垫块	8		
15	22548-34051	02	Shim	调整垫圈	12	AR	按需

**HRDY938401 00 Lift cylinder mounting**

**HRDY938401 00 起升油缸安装图**



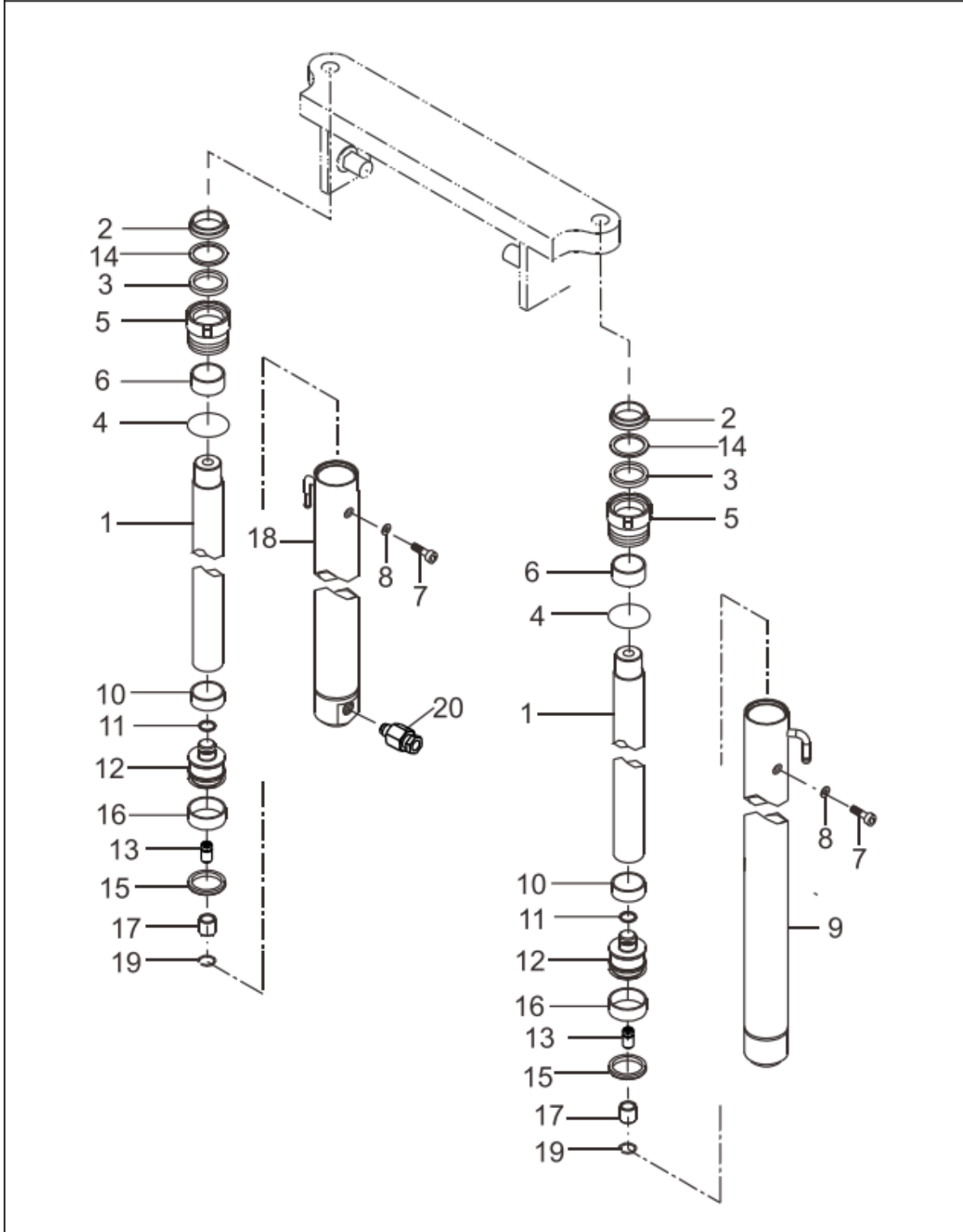
起升油缸安装选用件  
LIFT CYLINDER MOUNTING OPTION TABLE

起升高度 LIFTING HEIGHT	4-4.5t 链条节数 CHAIN NUMBER	5t 链条节数 CHAIN NUMBER	备注 REMARK
M250	HRLH1644011-71	HRLH1644011-67	
300	HRLH1644011-81	HRLH1644011-77	
330	HRLH1644011-87	HRLH1644011-85	
350	HRLH1644011-91	HRLH1644011-87	
370	HRLH1644011-95	HRLH1644011-91	
400	HRLH1644011-103	HRLH1644011-99	
425	HRLH1644011-107	HRLH1644011-103	
450	HRLH1644011-113	HRLH1644011-109	
475	HRLH1644011-117	HRLH1644011-113	
500	HRLH1644011-123	HRLH1644011-119	
550	HRLH1644011-135	HRLH1644011-131	
600	HRLH1644011-143	HRLH1644011-141	

HRDY938401 00 Lift cylinder mounting							
HRDY938401 00 起升油缸安装图							
序号 No.	零部件代号 Part No.	版本 Edition	名称 Part name		数量 Q'ty	备注 Remark	
1	B0430-20065	00	Bolt	螺栓 M20x1.5x65	2	GB5785-86	GB5785-86
2	B5050-00020	00	Washer	垫圈 20	2		
3	B5310-00020	00	Washer	垫圈 20	2		
4	D3H38-88411	01	Shim	调整垫片	6		
5	HRD7BZ8402	00	Lift cylinder	起升油缸	2	4t	4t
5	HRD0CP8402	02	Lift cylinder	起升油缸	2	4.5-5t	4.5-5t
6	DE778-42031	00	Cushion	减震块	2		
7	DE778-42061	00	Shim	调整垫片	8		
8	D0CP8-41001	02	Cylinder block	油缸固定块 2	2	4t,HRD0CP 8412	4t,HRD0CP 8412
8	D0CP8-41011	02	Cylinder block	油缸固定块 1	2	4.5- 5t,HRD0CP 8412	4.5- 5t,HRD0CP 8412
9	D0CP8-42051	02	Cylinder block	油缸固定块 1	2	4t,HRD0CP 8410	4t,HRD0CP 8410
9	D0CP8-42061	02	Cylinder block	油缸固定块 2	2	4.5- 5t,HRD0CP 8410	4.5- 5t,HRD0CP 8410
10	B5050-00010	00	Washer	垫圈 10	4		
11	B0430-10050	01	Bolt	螺栓 M10x1.25x50	4		
12	D7BZ8-43001	00	Bolt	螺栓	2		
13	HRLH1644011-N	00	Chain	链条 (节)	2	See table	见附表
14	D71Y8-40201	01	Sheave	链轮	2		
15	B6150-00055	00	Snap ring	挡圈 55	2		

**HRD7BZ8402 00 Lift cylinder**

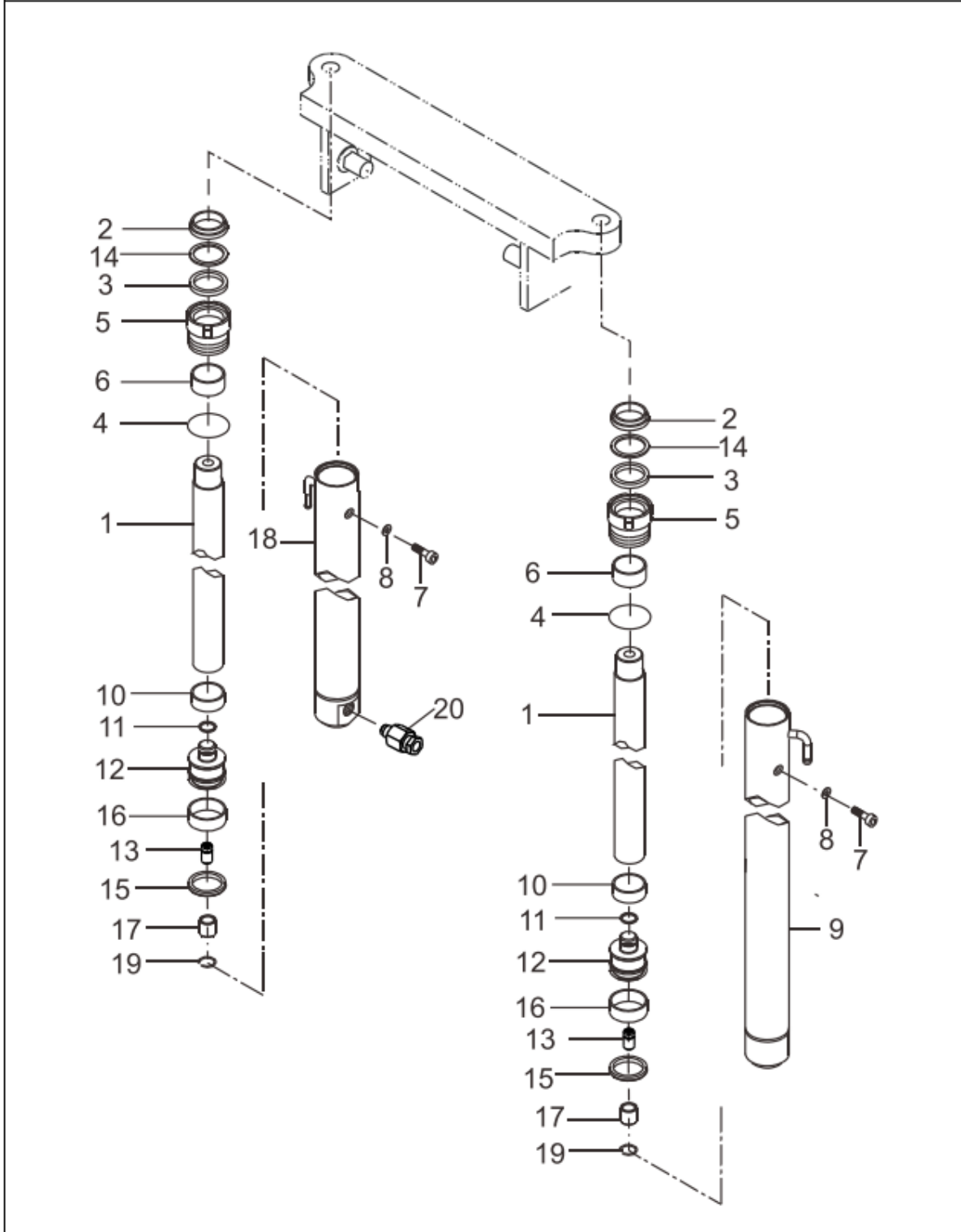
**HRD7BZ8402 00 起升油缸**



HRD7BZ8402 00 Lift cylinder							
HRD7BZ8402 00 起升油缸							
序号 No.	零部件代号 Part No.	版本 Edition	名称 Part name		数量 Q'ty	备注 Remark	
0	D7BZ8-40201	00	Lift cylinder(left)	起升油缸(左)	2	M250/HRD7 BZ8402/Left	M250/HRD7 BZ8402/左
0	D7BZ8-40211	00	Lift cylinder(left)	起升油缸(左)	2	M300/HRD7 BZ8402/Left	M300/HRD7 BZ8402/左
0	D7BZ8-40221	00	Lift cylinder(left)	起升油缸(左)	2	M330/HRD7 BZ8402/Left	M330/HRD7 BZ8402/左
0	D7BZ8-40231	00	Lift cylinder(left)	起升油缸(左)	2	M350/HRD7 BZ8402/Left	M350/HRD7 BZ8402/左
0	D7BZ8-40241	00	Lift cylinder(left)	起升油缸(左)	2	M370/HRD7 BZ8402/Left	M370/HRD7 BZ8402/左
0	D7BZ8-40251	00	Lift cylinder(left)	起升油缸(左)	2	M400/HRD7 BZ8402/Left	M400/HRD7 BZ8402/左
0	D7BZ8-40261	00	Lift cylinder(left)	起升油缸(左)	2	M425/HRD7 BZ8402/Left	M425/HRD7 BZ8402/左
0	D7BZ8-40271	00	Lift cylinder(left)	起升油缸(左)	2	M450/HRD7 BZ8402/Left	M450/HRD7 BZ8402/左
0	D7BZ8-40281	00	Lift cylinder(left)	起升油缸(左)	2	M475/HRD7 BZ8402/Left	M475/HRD7 BZ8402/左
0	D7BZ8-40291	00	Lift cylinder(left)	起升油缸(左)	2	M500/HRD7 BZ8402/Left	M500/HRD7 BZ8402/左
0	D7BZ8-40301	00	Lift cylinder(left)	起升油缸(左)	2	M550/HRD7 BZ8402/Left	M550/HRD7 BZ8402/左
0	D7BZ8-40311	00	Lift cylinder(left)	起升油缸(左)	2	M600/HRD7 BZ8402/Left	M600/HRD7 BZ8402/左
0	D7BZ8-40401	00	Lift cylinder(right)	起升油缸(右)	2	M250/HRD7 BZ8402/Rig ht	M250/HRD7 BZ8402/右
0	D7BZ8-40411	00	Lift cylinder(right)	起升油缸(右)	2	M300/HRD7 BZ8402/Rig ht	M300/HRD7 BZ8402/右
0	D7BZ8-40421	00	Lift cylinder(right)	起升油缸(右)	2	M330/HRD7 BZ8402/Rig ht	M330/HRD7 BZ8402/右
0	D7BZ8-40431	00	Lift cylinder(right)	起升油缸(右)	2	M350/HRD7 BZ8402/Rig ht	M350/HRD7 BZ8402/右
0	D7BZ8-40441	00	Lift cylinder(right)	起升油缸(右)	2	M370/HRD7 BZ8402/Rig ht	M370/HRD7 BZ8402/右
0	D7BZ8-40451	00	Lift cylinder(right)	起升油缸(右)	2	M400/HRD7 BZ8402/Rig ht	M400/HRD7 BZ8402/右
0	D7BZ8-40461	00	Lift cylinder(right)	起升油缸(右)	2	M425/HRD7 BZ8402/Rig ht	M425/HRD7 BZ8402/右
0	D7BZ8-40471	00	Lift cylinder(right)	起升油缸(右)	2	M450/HRD7 BZ8402/Rig ht	M450/HRD7 BZ8402/右
0	D7BZ8-40481	00	Lift cylinder(right)	起升油缸(右)	2	M475/HRD7 BZ8402/Rig ht	M475/HRD7 BZ8402/右
0	D7BZ8-40491	00	Lift cylinder(right)	起升油缸(右)	2	M500/HRD7 BZ8402/Rig ht	M500/HRD7 BZ8402/右
0	D7BZ8-40501	00	Lift cylinder(right)	起升油缸(右)	2	M550/HRD7 BZ8402/Rig ht	M550/HRD7 BZ8402/右
0	D7BZ8-40511	00	Lift cylinder(right)	起升油缸(右)	2	M600/HRD7 BZ8402/Rig ht	M600/HRD7 BZ8402/右
1	D7BZ8402-01	00	Piston rod	活塞杆	2		
2	D01D8-40201	00	Dust ring	防尘圈	2		

**HRD7BZ8402 00 Lift cylinder**

**HRD7BZ8402 00 起升油缸**

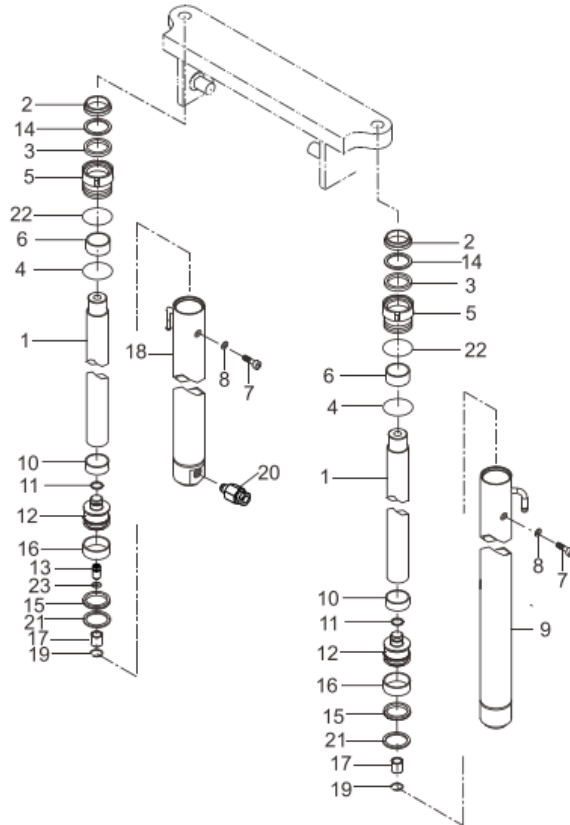


HRD7BZ8402 00 Lift cylinder						
HRD7BZ8402 00 起升油缸						
序号 No.	零部件代号 Part No.	版本 Edition	名称 Part name		数量 Q'ty	备注 Remark
3	24329-45591	00	Seal ring	轴用密封圈 50x60x5	2	
4	Z6003-07003	00	O-ring	O 型圈 70*3.1	2	
5	D3BA8-01	00	Guide sleeve	导向套	2	
6	Z2114-05040-Y	00	Bushing	刚背轴承 5040	2	
7	B8032-05005	00	Screw	螺钉 M5x5	2	GB70-2000 GB70-2000
8	Z6700-005	00	Washer	组合垫圈 5	2	JB/T 982-77 JB/T 982-77
9	D7BZ8402.1-00L	00	Cylinder body L.H	左缸体	1	
10	GCQ063YG2-03	00	Spacer	调整套	2	
11	GCQ055DL4-04	00	Snap ring	钢丝挡圈	2	
12	GCQ063JX2-03	00	Piston	活塞	2	
13	GCQ055DL4.2-00	00	Valve assembly	阀总成	2	
14	24238-42031	00	Catch	挡片	2	
15	22439-43711	00	Seal ring	孔用密封圈 63x53x6	2	
16	GCX063J3-03	00	Wearing	支撑环 63x58x15	2	
17	GCQ055DL4-07	00	Sleeve	套	2	
18	D7BZ8402.1-00R	00	Cylinder body R.H	右缸体	1	
19	GCQ055DL4-08	00	Snap ring	钢丝挡圈	2	
20	LB4C-80	00	Safety valve	安全阀 G3/4"	2	
21	HRD7BZ8402XLB	00	Lift cylinder repair kits	起升油缸修理包	1	



**HRD0CP8402 02 Lift cylinder**

**HRD0CP8402 02 起升油缸**

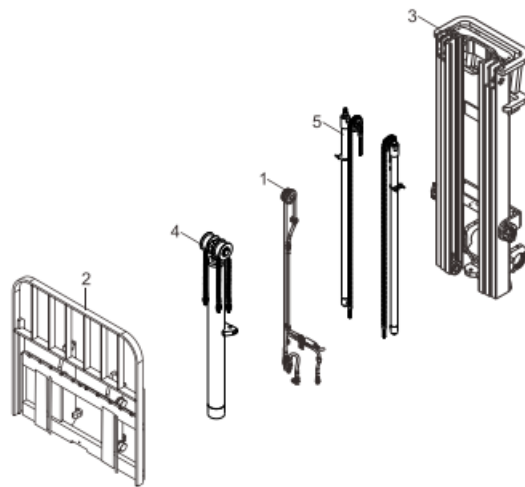


起升油缸安装选用件 LIFT CYLINDER MOUNTING OPTION TABLE			
起升高度 LIFTING HEIGHT	起升油缸 (左) LIFT CYLINDER L. H.	起升油缸 (右) LIFT CYLINDER R. H.	备注 REMARK
M250	D0CP8-40201	D0CP8-40401	
300	D0CP8-40211	D0CP8-40411	
330	D0CP8-40221	D0CP8-40421	
350	D0CP8-40231	D0CP8-40431	
370	D0CP8-40241	D0CP8-40441	
400	D0CP8-40251	D0CP8-40451	
425	D0CP8-40261	D0CP8-40461	
450	D0CP8-40271	D0CP8-40471	
475	D0CP8-40281	D0CP8-40481	
500	D0CP8-40291	D0CP8-40491	
550	D0CP8-40301	D0CP8-40501	
600	D0CP8-40311	D0CP8-40511	

HRD0CP8402 02 Lift cylinder							
HRD0CP8402 02 起升油缸							
序号 No.	零部件代号 Part No.	版本 Edition	名称 Part name		数量 Q'ty	备注 Remark	
1	D0CP8402-01	00	Piston rod	活塞杆	2		
2	FQ0041C0	00	Dust ring	防尘圈 50x58x5/6.5	2		
3	24329-45591	00	Seal ring 50x60x6	轴用密封圈 50x60x6	2		
4	Z6003-07003	00	O-ring	O 型圈 70*3.1	2	GB/T1235-76	GB/T1235-76
5	D16N8-82411	00	Guide sleeve	导向套	2		
6	Z2114-05035	00	Bushing	铜背轴承 5035	2		
7	B8032-05006	00	Screw M5X6	螺钉 M5X6	1	GB/T70-1985	GB/T70-1985
8	Q70B0-82141	01	Washer	垫片	1		
9	D0CP8402.1-00L	00	Cylinder body L.H	左缸体	1		
10	TZT-50	00	Spacer	调整套	2		
11	GCQ055DL4-04	00	Snap ring	钢丝挡圈	2		
12	GCQ070BYD5-02	00	Piston	活塞	2		
13	GCQ055DL4.2-00	00	Valve assembly	阀总成	1		
14	22658-52301	00	Catch	挡片 60x50x3	2		
15	23678-55001	00	U-ring	U 型圈	2		
16	D01D8-42041	00	Wearing	支承环	2		
17	GCQ055DL4-07	00	Sleeve	套	2		
18	D0CP8402.1-00	00	Cylinder body R.H	右缸体	1		
19	GCQ055DL4-08	00	Snap ring	钢丝挡圈	2		
20	LB4C-100	00	Safety valve	安全阀 G3/4"	1		
21	D01D8-42051	00	Catch	挡片 70x60x3	2		
22	AG0075A	00	O-ring	O 型密封圈 75x3.1	2	GB/T1235-76	GB/T1235-76
23	DCQ055DL4-06	00	Washer	垫片	1		
24	HRD0CP8402XLB	00	Lift cylinder repair kits	起升油缸修理包	1		

**HRDH4Q8001 02 Lifting system(full free 3-stage mast)**

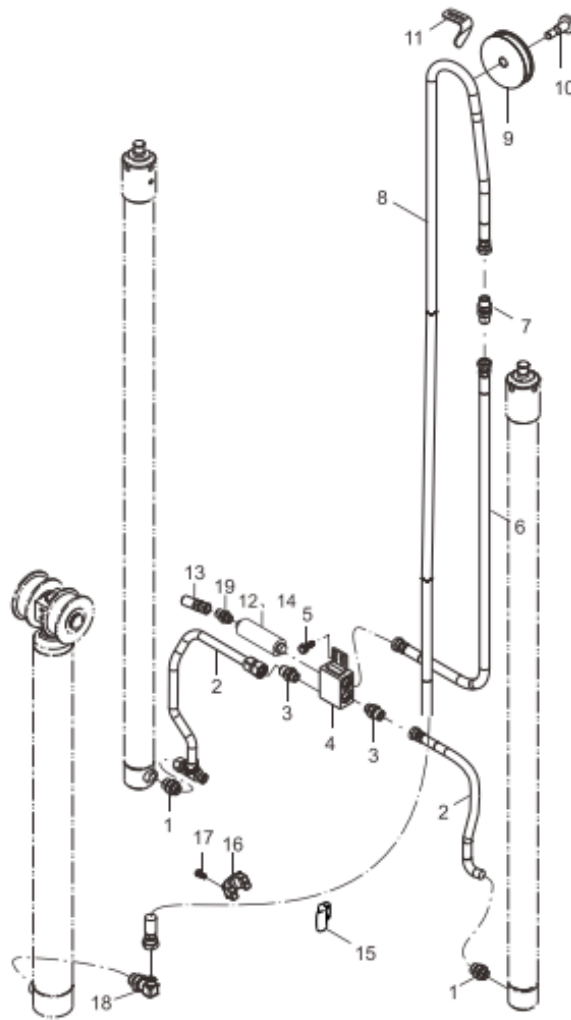
**HRDH4Q8001 02 起重系统(ZSM)**





**HRDH4Q8601 00 Mast hydraulic system(SAE)**

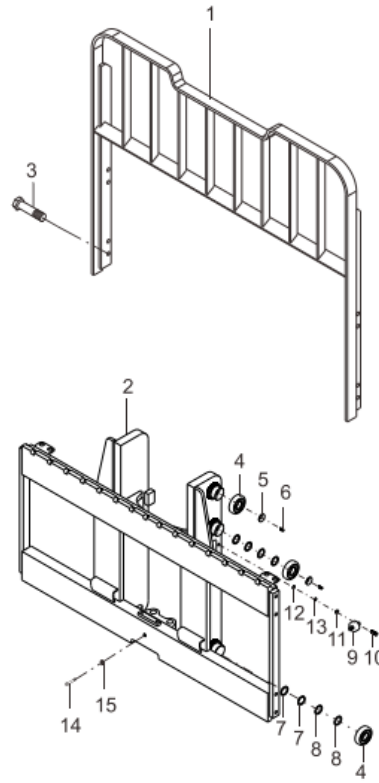
**HRDH4Q8601 00 门架管路系统(美制)**



HRDH4Q8601 00 Mast hydraulic system(SAE)							
HRDH4Q8601 00 门架管路系统(美制)							
序号 No.	零部件代号 Part No.	版本 Edition	名称 Part name		数量 Q'ty	备注 Remark	
1	JT8021-34191	02	Straight joint	直通接头	2		
2	Z7802-1303022X10	00	Hose H.P.	高压胶管	2		
3	JT8021-34051	02	Straight joint	直通接头	2		
4	DH4P8-62011	01	Four-way	四通接头	1		
5	B0330-08016-X	00	Combined bolt	组合螺栓 M8x16	7	GB/T 9074.17-88	GB/T 9074.17-88
6	DG5S8-60201	00	Steel pipe	钢管总成	1		
7	DG9N8-32351	01	Straight joint	直通接头	1		
8	Z7802-1600026	00	Hose H.P.	高压胶管	1	See table	见附表
9	DH2V8-62111	01	The main pulley	主滑轮	1		
10	DG4N8-62001	01	Pulley	滑轮轴	1		
11	DH4P8-62091	00	Baffle	挡板	1		
12	D7BZ8-32111	00	Flow regulator	限速阀	1	90L/min	90L/min
13	Z7802-16055M22GS	00	Hose H.P.	高压胶管	1		
14	DG4N8-60221	00	Flow regulator	限速阀壳体	1		
15	DG4Q8-60201	00	Hose guide card	胶管导向卡	1		
16	DH2V8-62161	00	Clip	管卡	1		
17	B0330-08035-X	00	Combination bolt	组合外六角螺栓 M8×35	1	GB/T 9074.17-88	GB/T 9074.17-88
18	JT8022-36041	02	Right angle joint	直角接头	1		
19	JT8021-36011	03	Straight joint	直通接头	1		

**HRDH4Q8001-1 02 Lift bracket & backrest**

**HRDH4Q8001-1 02 货叉架及挡货架**



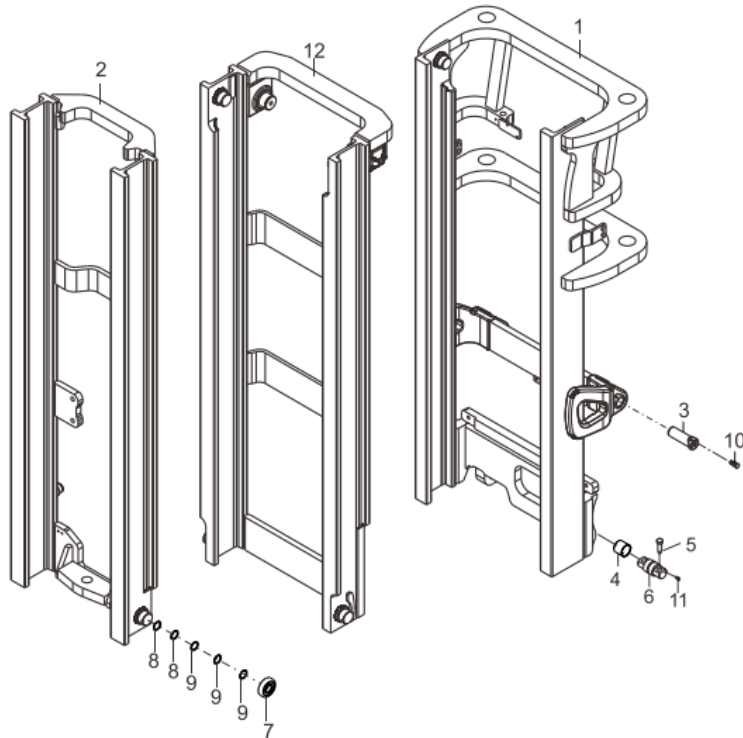


挡货架选用件(序号01) BACKREST OPTION TABLE (ITEM NO. 01)		
挡货架宽度 BACKREST WIDTH	挡货架 BACKREST	备注 REMARK
1286	D0CP8-20571	
1380	D0CP8-20511	
1500	D0CP8-20521	
1600	D0CP8-20531	
1800	D0CP8-20541	
2000	D0CP8-20551	
2200	D0CP8-20561	
1200	D0CP8-20501	

HRDH4Q8001-1 02 Lift bracket & backrest							
HRDH4Q8001-1 02 货叉架及挡货架							
序号 No.	零部件代号 Part No.	版本 Edition	名称 Part name		数量 Q'ty	备注 Remark	
1	HRD0CP8205	01	Backrest	挡货架	1	See table	见附表
2	DH4Q8-20001	02	Lift bracket assembly	货叉架总成	1		
3	B0330-14030-X	00	Combined bolt M14x30	组合螺栓 M14x30	8	GB5783-86	GB5783-86
4	DG4Q8-72001	01	End roller	主滚轮	6		
5	DG4Q8-72011	00	Bearing end cover	轴承端盖	4		
6	B0330-08020-X1	00	Combined bolt	组合螺栓 M8x20	4	GB/T 9074.15-88	GB/T 9074.15-88
7	DG4Q8-72021	00	Shim	调整垫片	8	AR	按需
8	DG4Q8-72031	00	Shim	调整垫片	8	AR	按需
9	D0CP8-70211	00	Side roller	侧滚轮	2		
10	B0530-12040-X1	00	Combined bolt M12x1.25x40	组合螺栓 M12x1.25x40	4	GB5786,GB 93	GB5786,GB 93
11	23818-30071	02	Spacer	垫块	4		
12	22548-34051	02	Shim	调整垫圈	4		
13	22548-34061	02	Shim	调整垫圈	4		
14	B8030-12020	00	Screw M12x20	螺钉 M12x20	1	GB70-85	GB70-85
15	B5050-00012	00	Washer	垫圈 12	1	GB93-87	GB93-87

**HRDH4Q8001-2 02 Mast**

**HRDH4Q8001-2 02 门架**

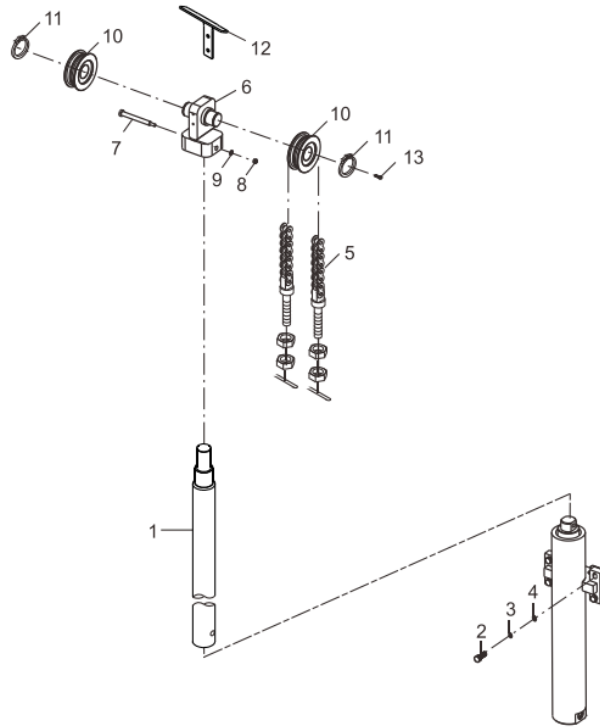


门架选用件表 MAST OPYIONAL PARTS					
起升高度 LIFTING HEIGHT	外门架总成 OUTER MAST	中门架总成 MIDDLE MAST		内门架总成 INNER MAST	
		4-4.5t	5t	4-4.5t	5t
ZSM360	DH4Q8-30001	DG4Q8-30301	DG4Q8-30401	DG4Q8-30501	DG4Q8-30601
400	DH4Q8-30011	DG4Q8-30311	DG4Q8-30411	DG4Q8-30511	DG4Q8-30611
435 (标准 STD)	DH4Q8-30021	DG4Q8-30321	DG4Q8-30421	DG4Q8-30521	DG4Q8-30621
450	DH4Q8-30031	DG4Q8-30331	DG4Q8-30431	DG4Q8-30531	DG4Q8-30631
470	DH4Q8-30041	DG4Q8-30341	DG4Q8-30441	DG4Q8-30541	DG4Q8-30641
500	DH4Q8-30051	DG4Q8-30351	DG4Q8-30451	DG4Q8-30551	DG4Q8-30651
540	DH4Q8-30061	DG4Q8-30361	DG4Q8-30461	DG4Q8-30561	DG4Q8-30661
600	DH4Q8-30071	DG4Q8-30371	DG4Q8-30471	DG4Q8-30571	DG4Q8-30671
650	DH4Q8-30081	DG4Q8-30381	DG4Q8-30481	DG4Q8-30581	DG4Q8-30681
700	DH4Q8-30091	DG4Q8-30391	DG4Q8-30491	DG4Q8-30591	DG4Q8-30691

HRDH4Q8001-2 02 Mast							
HRDH4Q8001-2 02 门架							
序号 No.	零部件代号 Part No.	版本 Edition	名称 Part name		数量 Q'ty	备注 Remark	
1	HRDH4Q8301	04	Outer mast	外门架总成	1	See table	见附表
2	HRDG4Q8307	02	Inner mast	内门架总成	1	See table	见附表
3	D0CP8-00521	01	Pin	倾斜油缸销轴	2		
4	D0CP8-00511	00	Bushing	钢背轴承	4		
5	D0CP8-00601	00	Toothed bolt	带齿螺栓	4		
6	D0CP8-00501G	01	Support shaft	门架支撑轴	2		
7	DG4Q8-72001	01	End roller	主滚轮	8		
8	DG4Q8-72021	00	Shim	调整垫片	14		
9	DG4Q8-72031	00	Shim	调整垫片	6		
10	B0530-10020-X1	00	Combined bolt M10x1.25x20	组合螺栓 M10x1.25x20	2	GB5783-86	GB5783-86
11	Q701B45M	00	Fitting	弯颈式滑脂嘴(带防尘帽)	1	ZBT33001.2-88	ZBT33001.2-88
12	HRDG4Q8304	05	Middle mast	中门架总成	1	See table	见附表

**HRDG4S8401 00 Front lift cylinder mounting**

**HRDG4S8401 00 前起升油缸安装图**

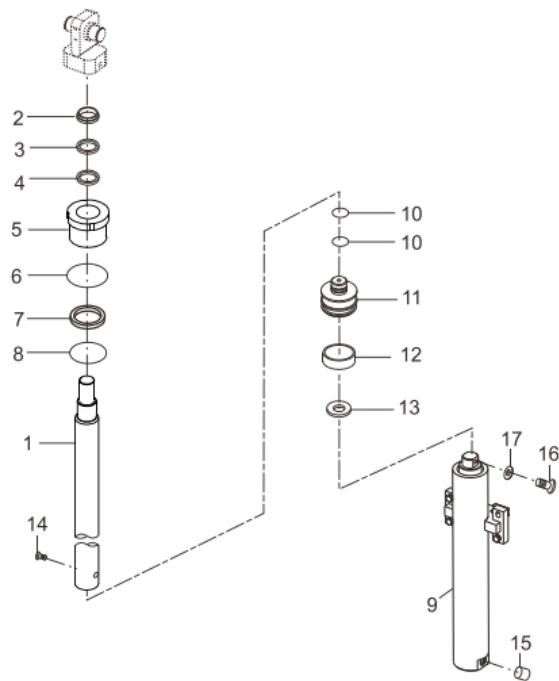


选配件 OPTIONAL PARTS			
起升高度 LIFTING HEIGHT	前起升油缸 FRONT LIFT CYLINDER	链条总成 CHAIN ASSEMBLY	备注 REMARK
ZSM360	DG508-40401	HRLH1644011T-57	
400	DG508-40411	HRLH1644011T-61	
435	DG508-40421	HRLH1644011T-67	标准STD
450	DG508-40431	HRLH1644011T-69	
470	DG508-40441	HRLH1644011T-71	
500	DG508-40451	HRLH1644011T-75	
540	DG508-40461	HRLH1644011T-81	
600	DG508-40471	HRLH1644011T-89	
650	DG508-40481	HRLH1644011T-97	
700	DG508-40491	HRLH1644011T-105	

HRDG4S8401 00 Front lift cylinder mounting							
HRDG4S8401 00 前起升油缸安装图							
序号 No.	零部件代号 Part No.	版本 Edition	名称 Part name		数量 Q'ty	备注 Remark	
1	HRDG5Q8402	02	Front lift cylinder	前起升油缸	1		
2	B0330-20060	00	Bolt M20x60	螺栓 M20x60	4	GB5783-86	GB5783-86
3	B5050-00020	00	Washer	垫圈 20	4	GB93-87	GB93-87
4	B5310-00020	00	Washer	垫圈 20	4	GB97.1-85	GB97.1-85
5	HRLH1644011T-N	00	Chain assembly LH1644T	链条总成 LH1644T	2		
6	DG4Q8-41001	01	Sprocket group seat	链轮组座	1		
7	D7CZ8-32131	00	Bolt	螺栓	1		
8	B4123-00010	00	Nut	螺母 M10	1	GB6170-86	GB6170-86
9	B5310-00010	00	Washer	垫圈 10	1	GB97.1-85	GB97.1-85
10	D71Y8-40201	01	Sheave	链轮	2		
11	B6150-00055	00	Snap ring	挡圈 55	2	GB894.1-86	GB894.1-86
12	DG4N8-42081	00	Chain baffle	链条挡板	1	Without hose pulley block	不配装胶管 滑轮组时用
13	B0330-08020-X1	00	Combined bolt	组合螺栓 M8x20	2	GB5783 GB93	GB5783 GB93

**HRDG5Q8402 02 Front lift cylinder**

**HRDG5Q8402 02 前起升油缸**



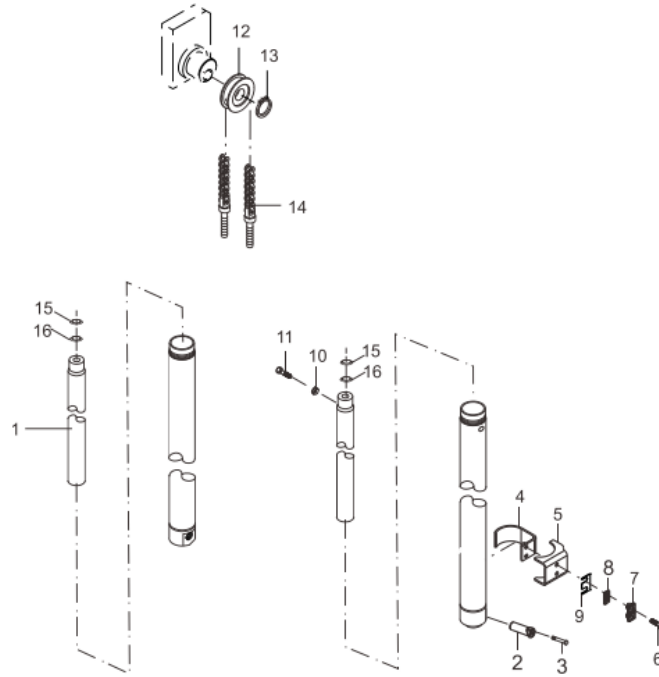


选用件 OPTIONAL PARTS				
3J起升高度 LIFTING HEIGHT	前起升油缸 FRONT LIFT CYLINDER	2J起升高度 LIFTING HEIGHT	前起升油缸 FRONT LIFT CYLINDER	备注 REMARK
ZSM360	DG5Q8-40401	ZM330	DG5Q8-40501	
400	DG5Q8-40411	370	DG5Q8-40511	
435	DG5Q8-40421	400	DG5Q8-40521	
450	DG5Q8-40431	425	DG5Q8-40531	
470	DG5Q8-40441	475	DG5Q8-40541	
500	DG5Q8-40451	500	DG5Q8-40551	
540	DG5Q8-40461	550	DG5Q8-40561	
600	DG5Q8-40471	600	DG5Q8-40571	
650	DG5Q8-40481			
700	DG5Q8-40491			

HRDG5Q8402 02 Front lift cylinder							
HRDG5Q8402 02 前起升油缸							
序号 No.	零部件代号 Part No.	版本 Edition	名称 Part name		数量 Q'ty	备注 Remark	
1	DG5Q8402-02	00	Piston rod	柱塞杆	1		
2	D30K0-52501	00	Dust ring	防尘圈	1		
3	D30K0-52511	00	U-ring	U型圈	1		
4	D30C0-82481	00	Snap ring 110x95x3	挡圈 110x95x3	1		
5	DG5Q8402-01	00	Guide sleeve	导向套	1		
6	AG0110A	00	O-ring 110x3.1	O型密封圈 110x3.1	1	GB1235	GB1235
7	C00655	00	O-ring 99.6x3.5	O型密封圈 99.6x3.5	1		
8	GN0578A0	00	Catch 105x100x1.25	挡片 105x100x1.25	1		
9	DG5Q8402.1-00	00	Cylinder body	缸体	1		
10	Z1505-00100	00	Steel ball 10/G5	钢球 10/G5	2	GB/T308	GB/T308
11	DG4Q8402-03	00	Piston	柱塞	1		
12	GCQ105XLG-04	00	Bearing ring 105x100X20	孔用支承环 105x100X20	1		
13	GSF1050	00	Square ring	GSF孔用方形圈 105x89.5x6.3	1		
14	B1832-08012	00	Hexagon socket set screw	内六角锥端紧定螺钉 M8x12	1	GB/T 78	GB/T 78
15	QDFB2-130	00	Valve	安全阀	1		
16	B0320-05006	00	Bolt	六角头 A级螺纹螺栓 M5X6	1	GB5783	GB5783
17	HRDG7A8402-03	00	Washer	垫片	1		
18	HRDG5Q8402XLB	00	Front lift cylinder repair kits	前起升油缸修理包	1		

**HRDG4S8403 01 Rear lift cylinder mounting**

**HRDG4S8403 01 后起升油缸安装图**

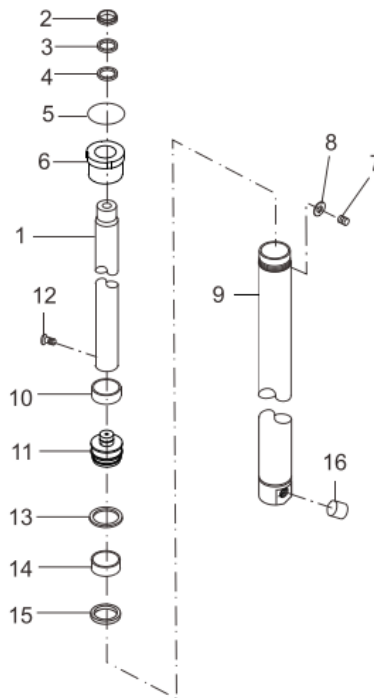


选用件 OPTIONAL PARTS				
起升高度 LIFTING HEIGHT	后起升油缸 (左) REAR LIFT CYLINDER LEFT	后起升油缸 (右) REAR LIFT CYLINDER RIGHT	链条节数 (N) CHAIN LEAF	备注 REMARKS
ZSM360	DG4S8-40601	DG4S8-40801	HRLH1644041T-67	
400	DG4S8-40611	DG4S8-40811	HRLH1644041T-73	
435	DG4S8-40621	DG4S8-40821	HRLH1644041T-77	标准STD
450	DG4S8-40631	DG4S8-40831	HRLH1644041T-79	
470	DG4S8-40641	DG4S8-40841	HRLH1644041T-81	
500	DG4S8-40651	DG4S8-40851	HRLH1644041T-87	
540	DG4S8-40661	DG4S8-40861	HRLH1644041T-93	
600	DG4S8-40671	DG4S8-40871	HRLH1644041T-101	
650	DG4S8-40681	DG4S8-40881	HRLH1644041T-109	
700	DG4S8-40691	DG4S8-40891	HRLH1644041T-115	

HRDG4S8403 01 Rear lift cylinder mounting							
HRDG4S8403 01 后起升油缸安装图							
序号 No.	零部件代号 Part No.	版本 Edition	名称 Part name		数量 Q'ty	备注 Remark	
1	HRDG4S8404	00	Lift cylinder	起升油缸	1	See table	见附表
2	DG4Q8-42121	00	pin	销轴	2	GB882-2008	GB882-2008
3	B0330-08016-X	00	Combined bolt	组合螺栓 M8x16	2	GB5783-86	GB5783-86
4	D0CP8-41011	02	Cylinder block	油缸固定块 1	2	HRD0CP84 10	HRD0CP84 10
5	D0CP8-42061	02	Cylinder block	油缸固定块 2	2	HRD0CP84 12	HRD0CP84 12
6	B0330-10050-X1	00	Combined bolt M10x50	组合螺栓 M10x50	4	GB/T 9074.15-88	GB/T 9074.15-88
7	DE778-42031	00	Cushion	减震块	2		
8	DE778-42071	00	Plate	垫板	2		
9	DG5G8-42071	00	Shim t2	调整垫片 t2	4		
10	B4123-00010	00	Nut	螺母 M10	2	GB6170-86	GB6170-86
11	B0330-10025	00	Bolt	螺栓 M10x25	2	GB5783-86	GB5783-86
12	D71Y8-40201	01	Sheave	链轮	2		
13	B6150-00055	00	Snap ring	挡圈 55	2	GB894.1-86	GB894.1-86
14	HRLH1644041T-N	00	Chain assembly LH1644	链条总成 LH1644	2		
15	D0CP8-60501	00	Shim t=0.5	调整垫片 t	4		
16	D0CP8-60511	00	Shim t=1	调整垫片 t	4		

**HRDG4S8404 00 Lift cylinder**

**HRDG4S8404 00 起升油缸**



选用件  
OPTIONAL PARTS

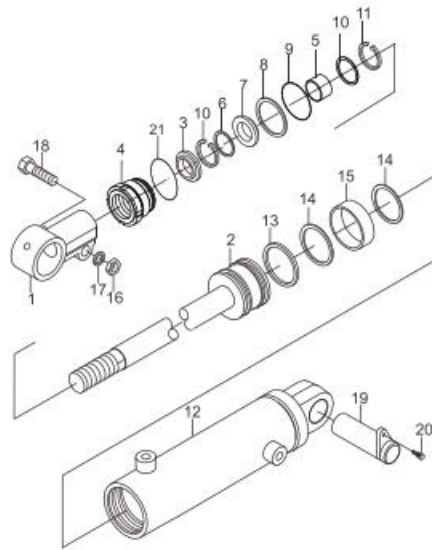
起升高度 LIFTING HEIGHT	后起升油缸 (左) REAR LIFT CYLINDER LEFT	后起升油缸 (右) REAR LIFT CYLINDER RIGHT	调整套 ADJUSTING SELLVE
360	DG4S8-40601	DG4S8-40901	
400	DG4S8-40611	DG4S8-40911	
435	DG4S8-40621	DG4S8-40921	
450	DG4S8-40631	DG4S8-40931	
470	DG4S8-40641	DG4S8-40941	
500	DG4S8-40651	DG4S8-40951	50
540	DG4S8-40661	DG4S8-40961	50
600	DG4S8-40671	DG4S8-40971	50
650	DG4S8-40681	DG4S8-40981	100
700	DG4S8-40691	DG4S8-40991	100

HRDG4S8404 00 Lift cylinder						
HRDG4S8404 00 起升油缸						
序号 No.	零部件代号 Part No.	版本 Edition	名称 Part name		数量 Q'ty	备注 Remark
1	HRDG4S8404-01	00	Piston rod	柱塞杆	1	
2	4632700	00	839N Dust ring 63x71x5.8/8	839N 防尘圈 63x71x5.8/8	1	
3	GCQ080HN3-11	00	Catch 73x63x3	挡片 73x63x3	1	
4	FU0786K0	00	Seal ring 63x73x6	轴用密封圈 63x73x6	1	
5	DUMX00750Z20	00	Dumbbell seal 75x70.2x5.35	哑铃型密封圈 75x70.2x5.35	1	
6	HRDG5Q8404-02	00	Guide sleeve	导向套	1	
7	B0320-05006	00	Bolt	六角头 A 级螺纹螺栓 M5X6	1	GB/T5783
8	HRDG7A8402-03	00	Washer	垫片	1	
9	HRDG4Q8404.1- 00L/R	00	Left and right cylinder blocks	左右缸体	1	
10	HRDG5Q8404-03	00	Spacer	调整套	1	
11	HRDG5Q8404-04	00	Piston	柱塞	1	
12	B1820-04006	00	Screw M4x6	螺钉 M4x6	2	GB/T80
13	HRDG5Q8404-05	00	Wearing	支承环	1	
14	D2Q38411-01	00	Sleeve	套	1	
15	B6052-00032	00	Snap ring	孔用弹性挡圈	1	GB893.1
16	QDFB1-63	00	Check valve M22x1.5	切断阀 M22x1.5	1	
17	HRDG4S8404XLB	00	Lift cylinder repair kits	起升油缸修理包	1	



**HRDY938501 01 Tilt cylinder**

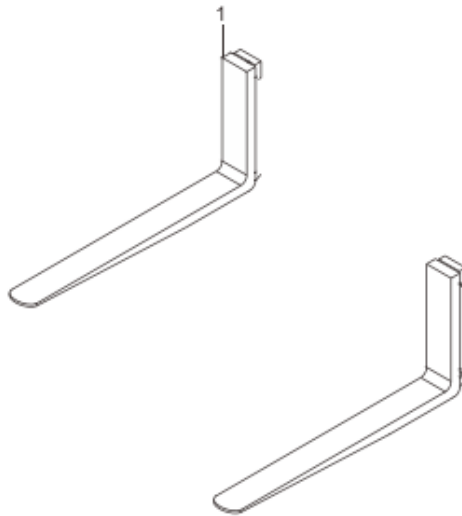
**HRDY938501 01 傾斜油缸**



HRDY938501 01 Tilt cylinder							
HRDY938501 01 倾斜油缸							
序号 No.	零部件代号 Part No.	版本 Edition	名称 Part name		数量 Q'ty	备注 Remark	
1	D01D8-52001	00	Ear ring	耳环	1		
2	DY938501.2-00	00	Piston body assembly	活塞体	1		
3	24459-42271	00	Dust ring	防尘圈 45x57x7/10	1		
4	D0CP8501-02	00	Guide sleeve	导向套	1		
5	Z2113-04535	00	Bushing 4530	钢背轴承 4530	1		
6	D30K8-54012	00	Catch	挡片 55x45x3	1		
7	D28B8-42611	00	U-ring	轴用密封圈 45x55x6	1		
8	D01D8-52111-Y	00	Catch	挡片 90x84.3x2	1		
9	Z6053-08253	00	O-ring	O 形密封圈 82.5*3.55	1	GB3452.1-82	GB3452.1-82
10	D0CP8501-03	00	Snap ring	挡圈	1		
11	B6052-00058	00	Snap ring	孔用弹性挡圈	1	GB893.1-86	GB893.1-86
12	DY938501.1-00	00	Cylinder body	缸体	1		
13	25808-43111	00	U-shaped seal	U 型密封圈	1		
14	25808-43121	00	Catch	挡片	2		
15	A01D4-53021S	00	Wearing 90x84x20	支承环 90x84x20	1		
16	B4123-00016	00	Nut	螺母 M16	1	GB6170-86	GB6170-86
17	B5050-00016	00	Washer	垫圈 16	1	GB93-87	GB93-87
18	B0223-16070	00	Bolt	螺栓 M16x70	1	GB5782-86	GB5782-86
19	D0CP8-00561	00	Pin	倾斜缸销轴总成	1		
20	B0530-10020-X1	00	Combined bolt M10x1.25x20	组合螺栓 M10x1.25x20	1	GB5783-86	GB5783-86
21	AG0095	00	O-rings 95 x3. 1	O 型圈 95x3.1	1		
22	HRDY938501XLB	00	Tilt cylinder repair kits	倾斜缸修理包	1		

**HRD01D8101 01 Fork**

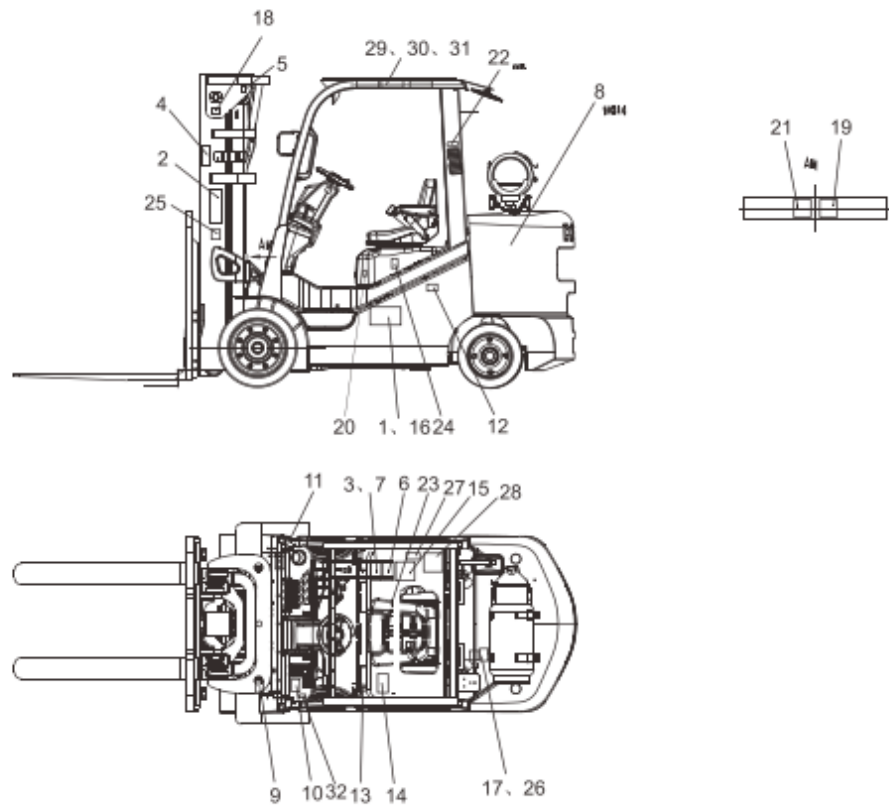
**HRD01D8101 01 货叉总成**



HRD01D8101 01 Fork							
HRD01D8101 01 货叉总成							
序号 No.	零部件代号 Part No.	版本 Edition	名称 Part name		数量 Q'ty	备注 Remark	
1	D01D8-12061	00	Fork	货叉	2	LF107- X5/1070/ST D	LF107- X5/1070/标 准
1	D01D8-12071	00	Fork	货叉	2	LF115- X5/1150	LF115- X5/1150
1	D01D8-12081	00	Fork	货叉	2	LF120- X5/1200	LF120- X5/1200
1	D01D8-12091	00	Fork	货叉	2	LF122- X5/1220	LF122- X5/1220
1	D01D8-12101	00	Fork	货叉	2	LF137- X5/1370	LF137- X5/1370
1	D01D8-12111	00	Fork	货叉	2	LF150- X5/1500	LF150- X5/1500
1	D01D8-12121	00	Fork	货叉	2	LF152- X5/1520	LF152- X5/1520
1	D01D8-12131	00	Fork	货叉	2	LF160- X5/1600	LF160- X5/1600
1	D01D8-12141	00	Fork	货叉	2	LF167- X5/1670	LF167- X5/1670
1	D01D8-12151	00	Fork	货叉	2	LF180- X5/1800	LF180- X5/1800
1	D01D8-12161	00	Fork	货叉	2	LF182- X5/1820	LF182- X5/1820
1	D01D8-12171	00	Fork	货叉	2	LF200- X5/2000	LF200- X5/2000
1	D01D8-12181	00	Fork	货叉	2	LF140- X5/1400	LF140- X5/1400
1	D01D8-12201	00	Fork	货叉	2	LF197- X5/1970	LF197- X5/1970
1	D01D8-12211	00	Fork	货叉	2	LF212- X5/2120	LF212- X5/2120
1	D01D8-12221	00	Fork	货叉	2	LF240- X5/2400	LF240- X5/2400
1	D01D8-12231	00	Fork	货叉	2	LF242- X5/2420	LF242- X5/2420

**HY939-10001 01 Signs, paint layout (USA)**

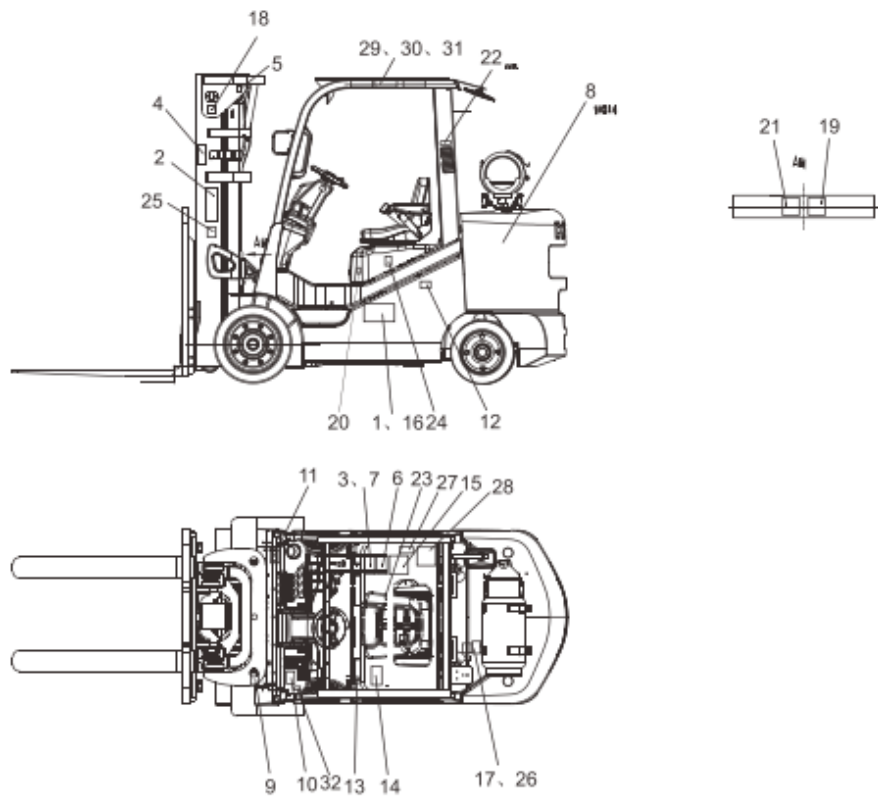
**HY939-10001 01 标牌、油漆布置图（美国）**



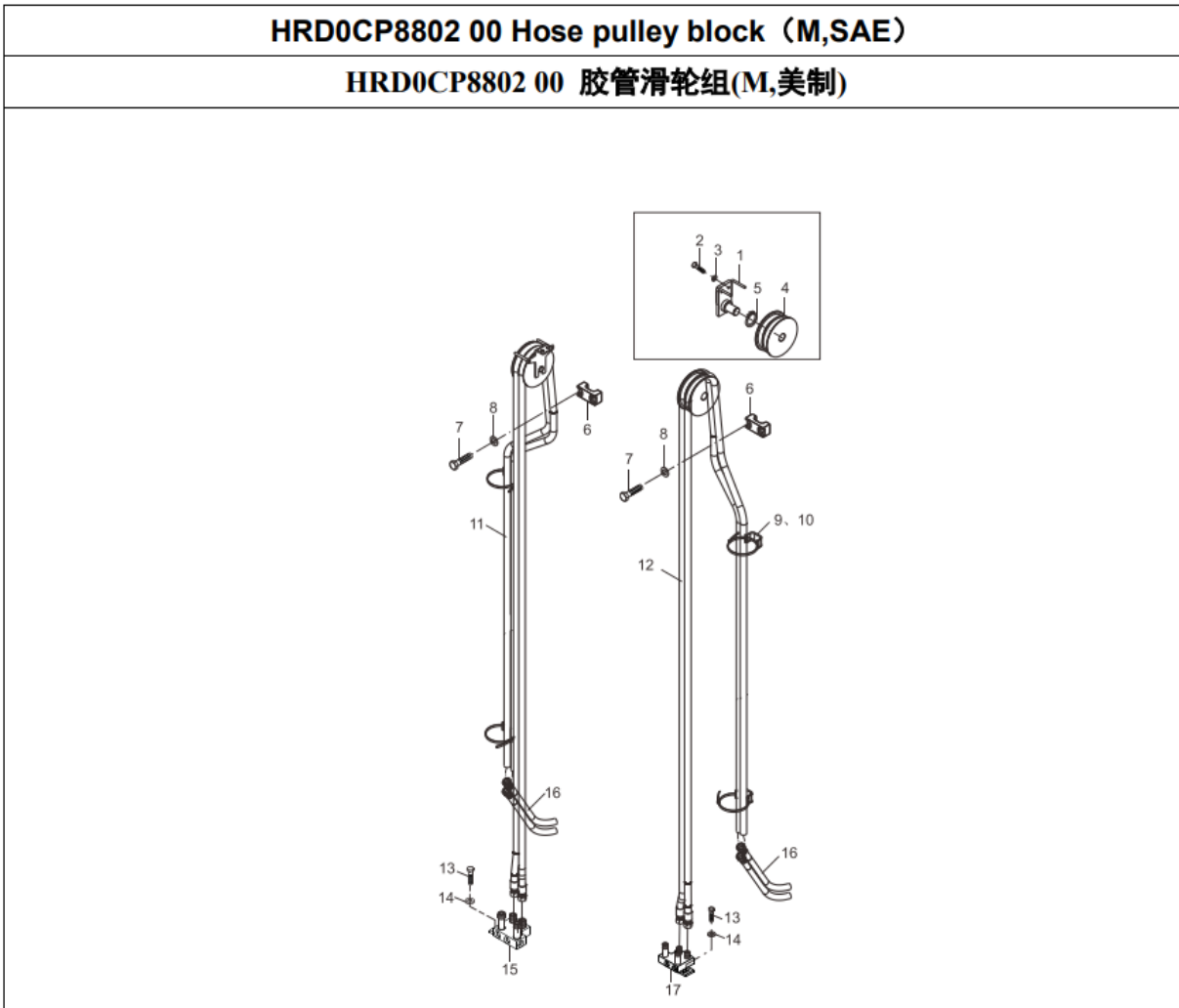
HY939-10001 01 Signs, paint layout (USA)							
HY939-10001 01 标牌、油漆布置图 (美国)							
序号 No.	零部件代号 Part No.	版本 Edition	名称 Part name		数量 Q'ty	备注 Remark	
1	6TY40-00-1084	00	H3 series 4T model plate (left)	H3 系列 4t 型号标牌 (左)	1	4t	4t
1	6TY40-00-1086	00	H3 series 5T model plate (left)	H3 系列 5t 型号标牌 (左)	1	5t	5t
2	6TY40-00-627	00	HELI Decal	合力标牌	2		
3	6TY10-00-106	00	Name plate (only for USA)	铭牌(美国专用)	1		
4	6TY40-01-09	00	Plate,safety	安全标志标牌	2		
5	6TY40-10-09	00	Plate,sling	起吊标牌	2		
6	6TY20-00-683	00	Load curve 4T	负荷曲线 4t(H3C 系列 4-5t 小轴距)	1	4t	4t
6	6TY20-00-684	00	Load curve 5T	负荷曲线 5t(H3C 系列 4-5t 小轴距)	1	5t	5t
7	B2391-04008	00	Rivet	开口型铆钉 4x8	8	GB/T12618.3-2006	GB/T12618.3-2006
8	6TY40-07-08	00	Plate,fan safety	风扇安全标牌	1		
9	6TY40-33-01	00	Plate	液化石油气车标志标牌	1		
10	6TY40-13-10	00	Plate,parking brake adjust	停车制动调整标牌(全英文)	1		
11	6TY40-02-30	00	Plate,lubrication chart	润滑系统图标牌	1		
12	6TY40-05-08	00	Add the hydraulic label	加注液压油标牌	1		
13	6TY40-06-192	00	Capacity plate	容量标牌	1		
14	6TY40-12-04	00	Check the essentials before starting	启动前检查要领	1		
15	6TY40-03-17	00	Decal	使用须知标牌	1		
16	6TY40-00-1085	00	H3 series 4T model plate (right)	H3 系列 4t 型号标牌 (右)	1	4t	4t
16	6TY40-00-1087	00	H3 series 5T model plate (right)	H3 系列 5t 型号标牌 (右)	1	5t	5t
17	6TY40-09-08	00	Plate,antifreeze liquid	加防冻液标牌	1		
18	6TY40-14-07	00	Plate,padlok mast space	禁止进入门架后空间	1		
19	6TY40-15-09	00	Decal,notice thumb hand	注意伤手标牌	1		
20	6TY40-108-02	00	Plate,shock absorber safety lock	气弹簧安全锁标牌	1		
21	6TY40-151-05	00	Decal	禁止带载调距标牌	1	Option	选用
22	6TY40-34-06	00	Forbiding filling water model	严禁冲水标牌	1		
23	6TY40-115-01	00	Safety belt sign	安全带标牌	1	For Seatbelt	装安全带用
24	6TY40-20-09	00	Maintain battery notice plate	蓄电池使用保养注意事项标牌	1		
25	6TY40-17-01	00	Plate,"CE" safety identifier	CE 安全认证标牌	2		
26	6TY40-26-07	00	Plate,warning	铝制水箱警告标牌	1		
27	6TY40-00-226	00	Plate(English)	更换钢瓶说明标牌(英文)	1		

**HY939-10001 01 Signs, paint layout (USA)**

**HY939-10001 01 标牌、油漆布置图（美国）**



HY939-10001 01 Signs, paint layout (USA)						
HY939-10001 01 标牌、油漆布置图 (美国)						
序号 No.	零部件代号 Part No.	版本 Edition	名称 Part name		数量 Q'ty	备注 Remark
28	6TY40-00-224	00	Plate(English)	LPG 系统安全维护说明 标牌(英文)	1	
29	6TY40-01-14	00	Warning signs	警示标牌(文字)	1	
30	6TY40-01-10	00	Warning signs	警示标牌(文字)	1	
31	6TY40-01-11	00	Plate	警示标牌(图片)	1	
32	6TY40-01-87	00	Warning sign of startup time and frequency	启动时间及频次警示标 牌	1	
33	6TY40-01-88	00	Precautions for high position operation(english)	高位作业注意事项 (英 文)	1	



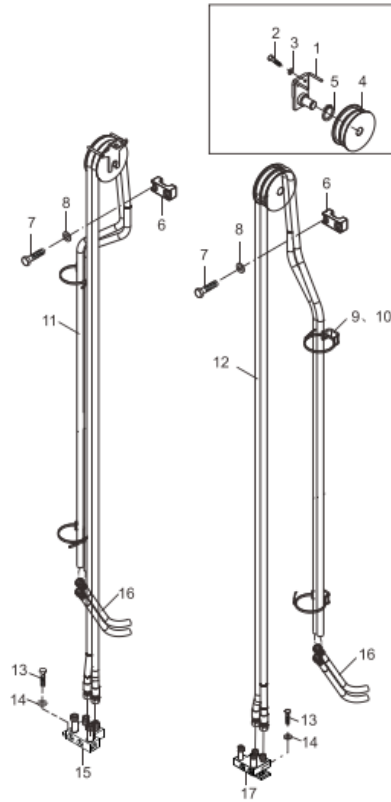


胶管滑轮组选用件 HOSE & PULLEY BLOCK OPTION TABLE			
起升高度 LIFTING HEIGHT	件11 NO. 11	件12 NO. 12	备注 REMARK
M250	Z9702-1032516	Z9702-1035016	
300	Z9702-1037016	Z9702-1039516	
330	Z9702-1040016	Z9702-1042516	
350	Z9702-1042016	Z9702-1044516	
370	Z9702-1044016	Z9702-1046516	
400	Z9702-1047516	Z9702-1050016	
425	Z9702-1050016	Z9702-1052516	
450	Z9702-1052516	Z9702-1055016	
475	Z9702-1055016	Z9702-1057516	
500	Z9702-1057016	Z9702-1059516	
550	Z9702-1063016	Z9702-1065516	
600	Z9702-1068016	Z9702-1070516	

HRD0CP8802 00 Hose pulley block (M,SAE)							
HRD0CP8802 00 胶管滑轮组(M,美制)							
序号 No.	零部件代号 Part No.	版本 Edition	名称 Part name		数量 Q'ty	备注 Remark	
1	D9FL8-72021	02	Pulley bracket	滑轮支架	1	Three piece valve	三片阀
1	D9FL8-72021	02	Pulley bracket	滑轮支架	2	Four piece valve	四片阀
2	B0330-08020	00	Bolt	螺栓 M8x20	2	Three piece valve	三片阀
2	B0330-08020	00	Bolt	螺栓 M8x20	4	Four piece valve	四片阀
3	B5050-00008	00	Washer	垫圈 8	2	Three piece valve	三片阀
3	B5050-00008	00	Washer	垫圈 8	4	Four piece valve	四片阀
4	D9FL8-72011	01	Pulley	滑轮	1	Three piece valve	三片阀
4	D9FL8-72011	01	Pulley	滑轮	2	Four piece valve	四片阀
5	B6150-00020	00	Snap ring	挡圈 20	1	Three piece valve	三片阀
5	B6150-00020	00	Snap ring	挡圈 20	2	Four piece valve	四片阀
6	D16JH-05221	05	Double row pipe clamp	双列管夹	1	Three piece valve	三片阀
6	D16JH-05221	05	Double row pipe clamp	双列管夹	2	Four piece valve	四片阀
7	B0230-06030	00	Bolt	螺栓 M6x30	2	Three piece valve	三片阀
7	B0230-06030	00	Bolt	螺栓 M6x30	4	Four piece valve	四片阀
8	B5050-00006	00	Washer,lock	垫圈 6	2	Three piece valve	三片阀
8	B5050-00006	00	Washer,lock	垫圈 6	4	Four piece valve	四片阀
9	Z9260-80350	00	8 x350 strapping tape	捆扎带 8x350	2	Three piece valve	三片阀
9	Z9260-80350	00	8 x350 strapping tape	捆扎带 8x350	4	Four piece valve	四片阀
9	Z9260-80350	00	8 x350 strapping tape	捆扎带 8x350	3	Above M400 gantry,three piece valve	M400 门架以上,三片阀
9	Z9260-80350	00	8 x350 strapping tape	捆扎带 8x350	6	Above M400 gantry,four piece valve	M400 门架以上,四片阀
10	F23JH-22041	00	Pipe clamp	管夹	2	Three piece valve	三片阀
10	F23JH-22041	00	Pipe clamp	管夹	4	Four piece valve	四片阀
10	F23JH-22041	00	Pipe clamp	管夹	3	Above M400 gantry,three piece valve	M400 门架以上,三片阀
10	F23JH-22041	00	Pipe clamp	管夹	6	Above M400 gantry,four piece valve	M400 门架以上,四片阀
11	Z7802-1000016	00	Hose H.P.	高压胶管	2	See table,three piece valve	见附表,三片阀
11	Z7802-1000016	00	Hose H.P.	高压胶管	2	See table,four piece valve	见附表,四片阀
12	Z7802-1000016	00	Hose H.P.	高压胶管	1	See table,three piece valve	见附表,三片阀
12	Z7802-1000016	00	Hose H.P.	高压胶管	2	See table,four piece valve	见附表,四片阀

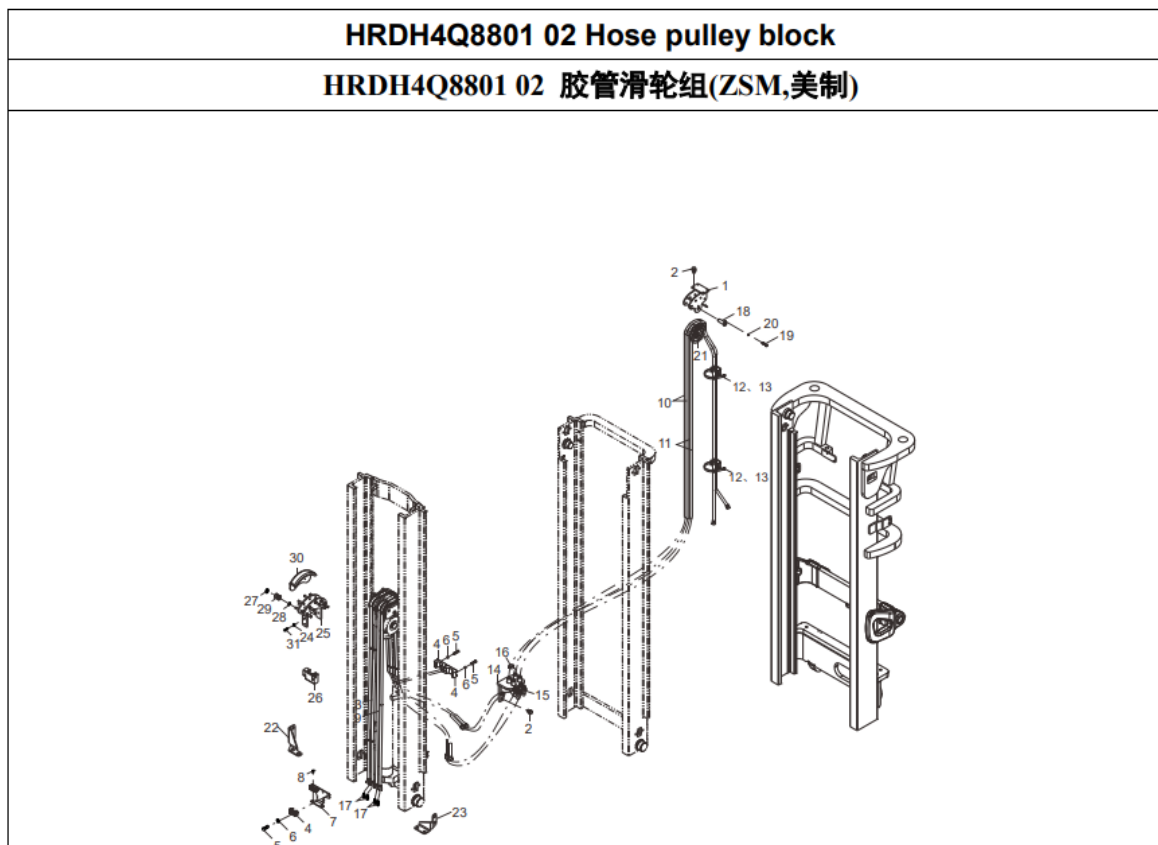
**HRD0CP8802 00 Hose pulley block (M,SAE)**

**HRD0CP8802 00 胶管滑轮组(M,美制)**



胶管滑轮组选用件 HOSE & PULLEY BLOCK OPTION TABLE			
起升高度 LIFTING HEIGHT	件11 NO. 11	件12 NO. 12	备注 REMARK
M250	Z9702-1032516	Z9702-1035016	
300	Z9702-1037016	Z9702-1039516	
330	Z9702-1040016	Z9702-1042516	
350	Z9702-1042016	Z9702-1044516	
370	Z9702-1044016	Z9702-1046516	
400	Z9702-1047516	Z9702-1050016	
425	Z9702-1050016	Z9702-1052516	
450	Z9702-1052516	Z9702-1055016	
475	Z9702-1055016	Z9702-1057516	
500	Z9702-1057016	Z9702-1059516	
550	Z9702-1063016	Z9702-1065516	
600	Z9702-1068016	Z9702-1070516	

HRD0CP8802 00 Hose pulley block (M,SAE)							
HRD0CP8802 00 胶管滑轮组(M,美制)							
序号 No.	零部件代号 Part No.	版本 Edition	名称 Part name		数量 Q'ty	备注 Remark	
13	B0330-08025	00	Bolt	螺栓 M8x25	1	Three piece valve	三片阀
13	B0330-08025	00	Bolt	螺栓 M8x25	2	Four piece valve	四片阀
14	B5050-00008	00	Washer	垫圈 8	1	Three piece valve	三片阀
14	B5050-00008	00	Washer	垫圈 8	2	Four piece valve	四片阀
15	D0CP8-80101	00	Four-Way Union Assembly (Right)	四通接头总成(右)	1	Three piece valve	三片阀
15	D0CP8-80101	00	Four-Way Union Assembly (Right)	四通接头总成(右)	1	Four piece valve	四片阀
16	20020-46000	00	Black spiral jacket NXHT-16	黑色螺旋护套 NXHT-16	2	Three piece valve	三片阀
16	20020-46000	00	Black spiral jacket NXHT-16	黑色螺旋护套 NXHT-16	4	Four piece valve	四片阀
17	D0CP8-80111	00	Four-Way Union Assy (Left)	四通接头总成(左)	1	Three piece valve	三片阀
17	D0CP8-80111	00	Four-Way Union Assy (Left)	四通接头总成(左)	1	Four piece valve	四片阀

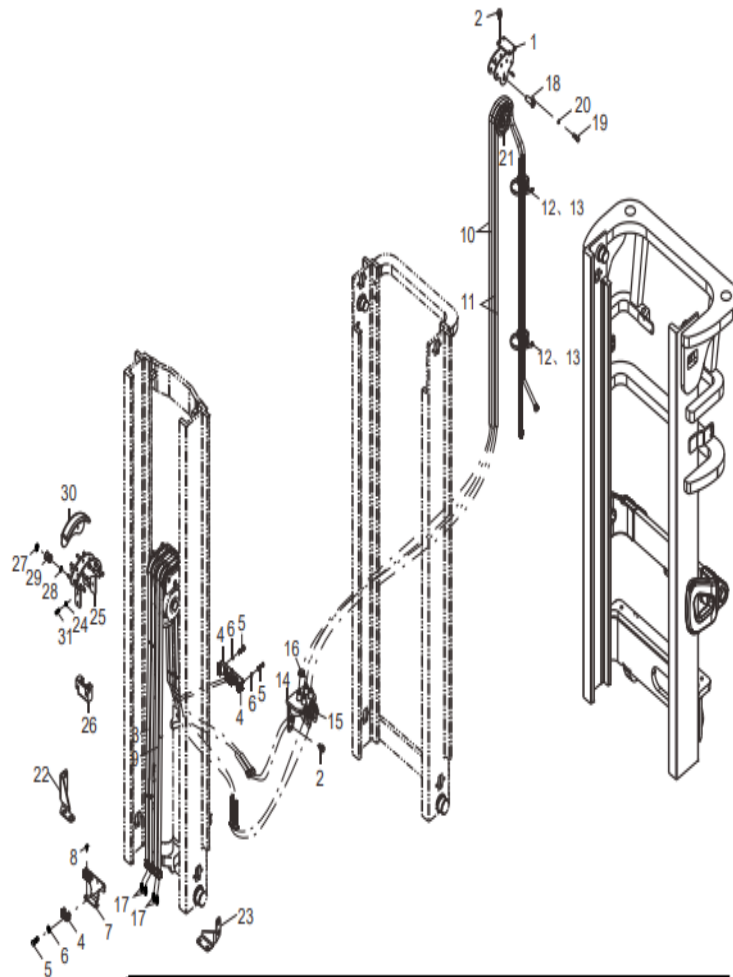


胶管滑轮组选用件 HOSE & PULLEY BLOCK OPTION TABLE			
起升高度 LIFTING HEIGHT	件3 高压胶管 NO. 3 HOSE H. P.	件9 高压胶管 NO. 9 HOSE H. P.	备注 REMARK
ZSM360	Z7802-1028516SZ	Z7802-1029516SZ	
400	Z7802-1029816SZ	Z7802-1030816SZ	标准std
435	Z7802-1030816SZ	Z7802-1031816SZ	
450	Z7802-1031216SZ	Z7802-1032216SZ	
470	Z7802-1032016SZ	Z7802-1033016SZ	
500	Z7802-1033016SZ	Z7802-1034016SZ	
540	Z7802-1034816SZ	Z7802-1035816SZ	
600	Z7802-1036516SZ	Z7802-1037516SZ	
650	Z7802-1038316SZ	Z7802-1039316SZ	
700	Z7802-1040016SZ	Z7802-1041016SZ	
胶管滑轮组选用件 HOSE & PULLEY BLOCK OPTION TABLE			
起升高度 LIFTING HEIGHT	件10 高压胶管 NO. 10 HOSE H. P.	件11 高压胶管 NO. 11 HOSE H. P.	备注 REMARK
ZSM360	Z7802-1033016	Z7802-1034016	
400	Z7802-1036016	Z7802-1037016	标准std
435	Z7802-1038016	Z7802-1039016	
450	Z7802-1039016	Z7802-1040016	
470	Z7802-1040016	Z7802-1041016	
500	Z7802-1042516	Z7802-1043516	
540	Z7802-1045516	Z7802-1046516	
600	Z7802-1049516	Z7802-1050516	
650	Z7802-1053016	Z7802-1054016	
700	Z7802-1056516	Z7802-1057516	

HRDH4Q8801 02 Hose pulley block							
HRDH4Q8801 02 胶管滑轮组(ZSM,美制)							
序号 No.	零部件代号 Part No.	版本 Edition	名称 Part name		数量 Q'ty	备注 Remark	
1	DH4P8-80201	00	Pulley bracket	滑轮支架	1	Three piece valve	三片阀
1	DH4P8-80201	00	Pulley bracket	滑轮支架	1	Four piece valve	四片阀
2	B0330-10020	00	Bolt	螺栓 M10x20	9	GB/T9074.1 7-88, Three piece valve	GB/T9074.1 7-88,三片阀
2	B0330-10020	00	Bolt	螺栓 M10x20	9	GB/T9074.1 7-88, Four piece valve	GB/T9074.1 7-88,四片阀
3	Z7802-1000016SZ	00	Hose H.P.	高压胶管	2	See table,three piece valve	见附表,三片阀
3	Z7802-1000016SZ	00	Hose H.P.	高压胶管	2	See table,four piece valve	见附表,四片阀
4	D16JH-05221A	01	Double row pipe clamp	双列管夹	2	Three piece valve	三片阀
4	D16JH-05221A	01	Double row pipe clamp	双列管夹	5	Four piece valve	四片阀
5	B0330-08030	00	Bolt	螺栓 M8x30	6	GB5783-86, Three piece valve	GB5783-86, 三片阀
5	B0330-08030	00	Bolt	螺栓 M8x30	10	GB5783-86, Four piece valve	GB5783-86, 四片阀
6	B5050-00008	00	Washer	垫圈 8	6	GB93-87, Three piece valve	GB93-87,三片阀
6	B5050-00008	00	Washer	垫圈 8	10	GB93-87, Four piece valve	GB93-87,四片阀
7	DG4Q8-82091	00	Guide plate	导向支板	1	Three piece valve	三片阀
7	DG4Q8-82091	00	Guide plate	导向支板	1	Four piece valve	四片阀
8	B0330-08020-X	00	Combined bolt	组合螺栓 M8x20	2	GB/T9074.1 7-88	GB/T9074.1 7-88
8	B0330-08020-X	00	Combined bolt	组合螺栓 M8x20	2	GB/T9074.1 7-88	GB/T9074.1 7-88
9	Z7802-1000016SZ	00	Hose H.P.	高压胶管	1	See table	见附表
9	Z7802-1000016SZ	00	Hose H.P.	高压胶管	2	See table	见附表
10	Z7802-1000016	00	Hose H.P.	高压胶管	2	See table	见附表
10	Z7802-1000016	00	Hose H.P.	高压胶管	2	See table	见附表
11	Z7802-1000016	00	Hose H.P.	高压胶管	1	See table	见附表
11	Z7802-1000016	00	Hose H.P.	高压胶管	2	See table	见附表
12	F23JH-22041	00	Pipe clamp	管夹	2	Three piece valve	三片阀
12	F23JH-22041	00	Pipe clamp	管夹	4	Four piece valve	四片阀
13	Z9260-80350	00	8 x350 strapping tape	捆扎带 8x350	2	Three piece valve	三片阀
13	Z9260-80350	00	8 x350 strapping tape	捆扎带 8x350	4	Four piece valve	四片阀
14	DH4Q8-80211	00	Joint bracket	接头支架	1	Three piece valve	三片阀
14	DH4Q8-80211	00	Joint bracket	接头支架	1	Four piece valve	四片阀

### HRDH4Q8801 02 Hose pulley block

### HRDH4Q8801 02 胶管滑轮组(ZSM,美制)



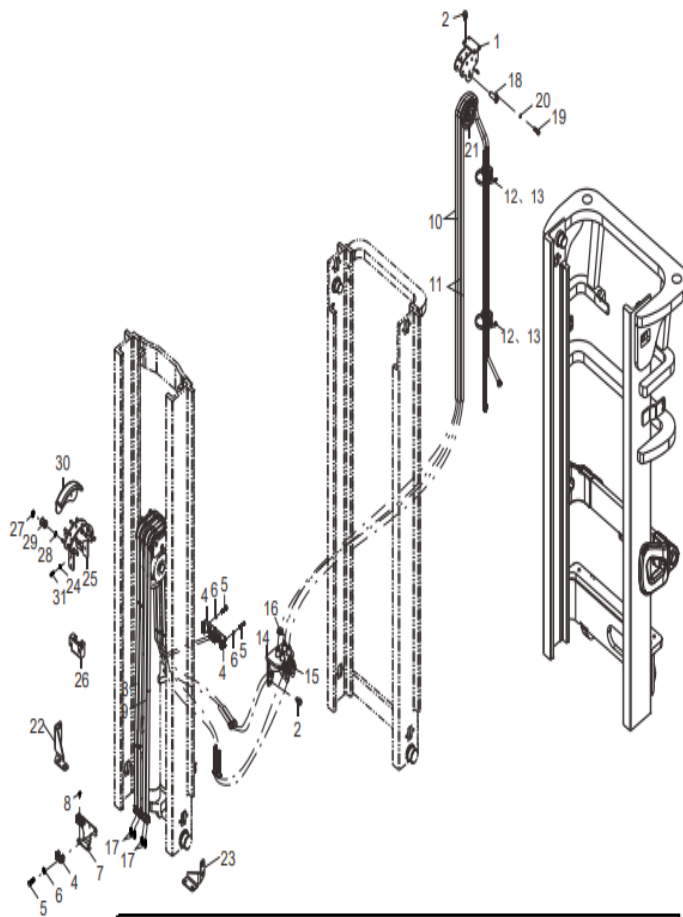


胶管滑轮组选用件 HOSE & PULLEY BLOCK OPTION TABLE			
起升高度 LIFTING HEIGHT	件3 高压胶管 NO. 3 HOSE H. P.	件9 高压胶管 NO. 9 HOSE H. P.	备注 REMARK
ZSM360	Z7802-1028516SZ	Z7802-1029516SZ	
400	Z7802-1029816SZ	Z7802-1030816SZ	标准std
435	Z7802-1030816SZ	Z7802-1031816SZ	
450	Z7802-1031216SZ	Z7802-1032216SZ	
470	Z7802-1032016SZ	Z7802-1033016SZ	
500	Z7802-1033016SZ	Z7802-1034016SZ	
540	Z7802-1034816SZ	Z7802-1035816SZ	
600	Z7802-1036516SZ	Z7802-1037516SZ	
650	Z7802-1038316SZ	Z7802-1039316SZ	
700	Z7802-1040016SZ	Z7802-1041016SZ	
胶管滑轮组选用件 HOSE & PULLEY BLOCK OPTION TABLE			
起升高度 LIFTING HEIGHT	件10 高压胶管 NO. 10 HOSE H. P.	件11 高压胶管 NO. 11 HOSE H. P.	备注 REMARK
ZSM360	Z7802-1033016	Z7802-1034016	
400	Z7802-1036016	Z7802-1037016	标准std
435	Z7802-1038016	Z7802-1039016	
450	Z7802-1039016	Z7802-1040016	
470	Z7802-1040016	Z7802-1041016	
500	Z7802-1042516	Z7802-1043516	
540	Z7802-1045516	Z7802-1046516	
600	Z7802-1049516	Z7802-1050516	
650	Z7802-1053016	Z7802-1054016	
700	Z7802-1056516	Z7802-1057516	

HRDH4Q8801 02 Hose pulley block							
HRDH4Q8801 02 胶管滑轮组(ZSM,美制)							
序号 No.	零部件代号 Part No.	版本 Edition	名称 Part name		数量 Q'ty	备注 Remark	
15	DH4P8-80221	00	Elbow joints	弯管接头	2	Three piece valve	三片阀
15	DH4P8-80221	00	Elbow joints	弯管接头	2	Four piece valve	四片阀
16	D16JH-80161	01	Nut	螺母	2	Three piece valve	三片阀
16	D16JH-80161	01	Nut	螺母	4	Four piece valve	四片阀
17	D16JH-80141	00	Straight joint	直通接头	2	Three piece valve	三片阀
17	D16JH-80141	00	Straight joint	直通接头	4	Four piece valve	四片阀
18	DH4P8-80251	00	Pin	销轴总成	1	Three piece valve	三片阀
18	DH4P8-80251	00	Pin	销轴总成	1	Four piece valve	四片阀
19	B0330-06012	00	Bolt	螺栓 M6x12	1	GB5783-86, Three piece valve	GB5783-86, 三片阀
19	B0330-06012	00	Bolt	螺栓 M6x12	1	GB5783-86, Four piece valve	GB5783-86, 四片阀
20	B5050-00006	00	Washer,lock	垫圈 6	1	GB93-87, Three piece valve	GB93-87, 三片阀
20	B5050-00006	00	Washer,lock	垫圈 6	1	GB93-87, Four piece valve	GB93-87, 四片阀
21	D16JH-05131	03	Pulley	滑轮	1	Three piece valve	三片阀
21	D16JH-05131	03	Pulley	滑轮	1	Four piece valve	四片阀
22	DG4D8-85011	00	Bracket	接头支板(右)	1	Side shifter and side shifter fork not installed, three piece valve	侧移器及侧移调距叉不装,三片阀
22	DG4D8-85011	00	Bracket	接头支板(右)	1	Side shifter and side shifter fork not installed, four piece valve	侧移器及侧移调距叉不装,四片阀
23	DG4D8-85001	00	Bracket	接头支板(左)	1	Three piece valve	三片阀
23	DG4D8-85001	00	Bracket	接头支板(左)	1	Four piece valve	四片阀
24	B5050-00005	00	Washer	垫圈 5	4	GB93-87, Three piece valve	GB93-87, 三片阀
24	B5050-00005	00	Washer	垫圈 5	4	GB93-87, Four piece valve	GB93-87, 四片阀
25	DG4Q8-81011	00	Front cylinder pulley bracket	前缸滑轮支架	1	Three piece valve	三片阀
25	DG4Q8-81011	00	Front cylinder pulley bracket	前缸滑轮支架	1	Four piece valve	四片阀
26	DK3P8-72001	01	Pipe clamp	管夹	1	Three piece valve	三片阀
26	DK3P8-72001	01	Pipe clamp	管夹	1	Four piece valve	四片阀
27	B6150-00010	00	Snap ring	挡圈 10	5	GB894.1-86, Three piece valve	GB894.1-86, 三片阀

**HRDH4Q8801 02 Hose pulley block**

**HRDH4Q8801 02 胶管滑轮组(ZSM,美制)**



胶管滑轮组选用件 HOSE & PULLEY BLOCK OPTION TABLE			
起升高度 LIFTING HEIGHT	件3 高压胶管 NO. 3 HOSE H. P.	件9 高压胶管 NO. 9 HOSE H. P.	备注 REMARK
ZSM360	Z7802-1028516SZ	Z7802-1029516SZ	
400	Z7802-1029816SZ	Z7802-1030816SZ	标准std
435	Z7802-1030816SZ	Z7802-1031816SZ	
450	Z7802-1031216SZ	Z7802-1032216SZ	
470	Z7802-1032016SZ	Z7802-1033016SZ	
500	Z7802-1033016SZ	Z7802-1034016SZ	
540	Z7802-1034816SZ	Z7802-1035816SZ	
600	Z7802-1036516SZ	Z7802-1037516SZ	
650	Z7802-1038316SZ	Z7802-1039316SZ	
700	Z7802-1040016SZ	Z7802-1041016SZ	
胶管滑轮组选用件 HOSE & PULLEY BLOCK OPTION TABLE			
起升高度 LIFTING HEIGHT	件10 高压胶管 NO. 10 HOSE H. P.	件11 高压胶管 NO. 11 HOSE H. P.	备注 REMARK
ZSM360	Z7802-1033016	Z7802-1034016	
400	Z7802-1036016	Z7802-1037016	标准std
435	Z7802-1038016	Z7802-1039016	
450	Z7802-1039016	Z7802-1040016	
470	Z7802-1040016	Z7802-1041016	
500	Z7802-1042516	Z7802-1043516	
540	Z7802-1045516	Z7802-1046516	
600	Z7802-1049516	Z7802-1050516	
650	Z7802-1053016	Z7802-1054016	
700	Z7802-1056516	Z7802-1057516	

HRDH4Q8801 02 Hose pulley block							
HRDH4Q8801 02 胶管滑轮组(ZSM,美制)							
序号 No.	零部件代号 Part No.	版本 Edition	名称 Part name		数量 Q'ty	备注 Remark	
27	B6150-00010	00	Snap ring	挡圈 10	10	GB894.1-86, Four piece valve	GB894.1-86, 四片阀
28	F26JH-01391	00	Washer	垫圈	5	Three piece valve	三片阀
28	F26JH-01391	00	Washer	垫圈	10	Four piece valve	四片阀
29	DK3P8-72051	02	Pulley	滑轮	5	Three piece valve	三片阀
29	DK3P8-72051	02	Pulley	滑轮	10	Four piece valve	四片阀
30	DG4N8-82241	00	Rubber hose cover	胶管防护盖	2	Three piece valve	三片阀
30	DG4N8-82241	00	Rubber hose cover	胶管防护盖	2	Four piece valve	四片阀
31	B1210-05012	00	Screw	螺钉 M5x12	4	GB818-85, Three piece valve	GB818-85, 三片阀
31	B1210-05012	00	Screw	螺钉 M5x12	4	GB818-85, Four piece valve	GB818-85, 四片阀



Parts Manual  
EK50LP ;10K Series  
Liquid Propane Forklift  
with Pattern Cushion Tires.

