

EKKO[®]

MATERIAL HANDLING EQUIPMENT

MOVING AHEAD

WALKIE PALLET JACKS EP18D / EP20D

- 4000-4400 lbs. Capacity
- Forks 27x48
- Internal Charger
- Compact & Economical
- Polyurethane Wheels
- Stability Casters
- Electromagnetic Braking
- Batteries and Charger Included
- 3 Year Limited Warranty



EP18/20D SERIES

Superior quality, maneuverable, compact, and durable for all your material handling applications. Ideal for small aisles and areas.

WEIGHT CAPACITY: 4000-4400 lbs.

LIFT HEIGHT: 7.7"

FORK LENGTH: 27x48"

TURNING RADIUS: 55"

INTERNAL BATTERY / CHARGER: 24V 80-100AH, 24-volt deep cycle maintenance-free batteries with internal direct connect 110A 110VAC plug-in automatic 24V/15A charger (both Included)

SPEED TRAVEL: 3.3 mph empty ; 3.0 mph loaded

LIFTING SPEED: 1.1 ips empty; .8 ips loaded

LOWERING SPEED: 1.5 ips empty; 1.5 ips loaded

DRIVE WHEELS: 10.6" x 2.75" polyurethane

STABILITY CASTERS: 4" x 1.5" polyurethane

LOAD WHEELS: (2) 3.1" x 3.7" polyurethane

HYDRAULICS LIFTING MOTOR: 24V 800 Watt lifting motor with hardened chrome moly steel for durability.

DRIVE MOTOR: EP20D AC Drive, 24V 750 Watt drive motor for efficiency and high torque.

CONTROLLER: 24V provides performance through entire range of speed; Constant travel speed regardless of load; Battery discharge indicator combination gauge.

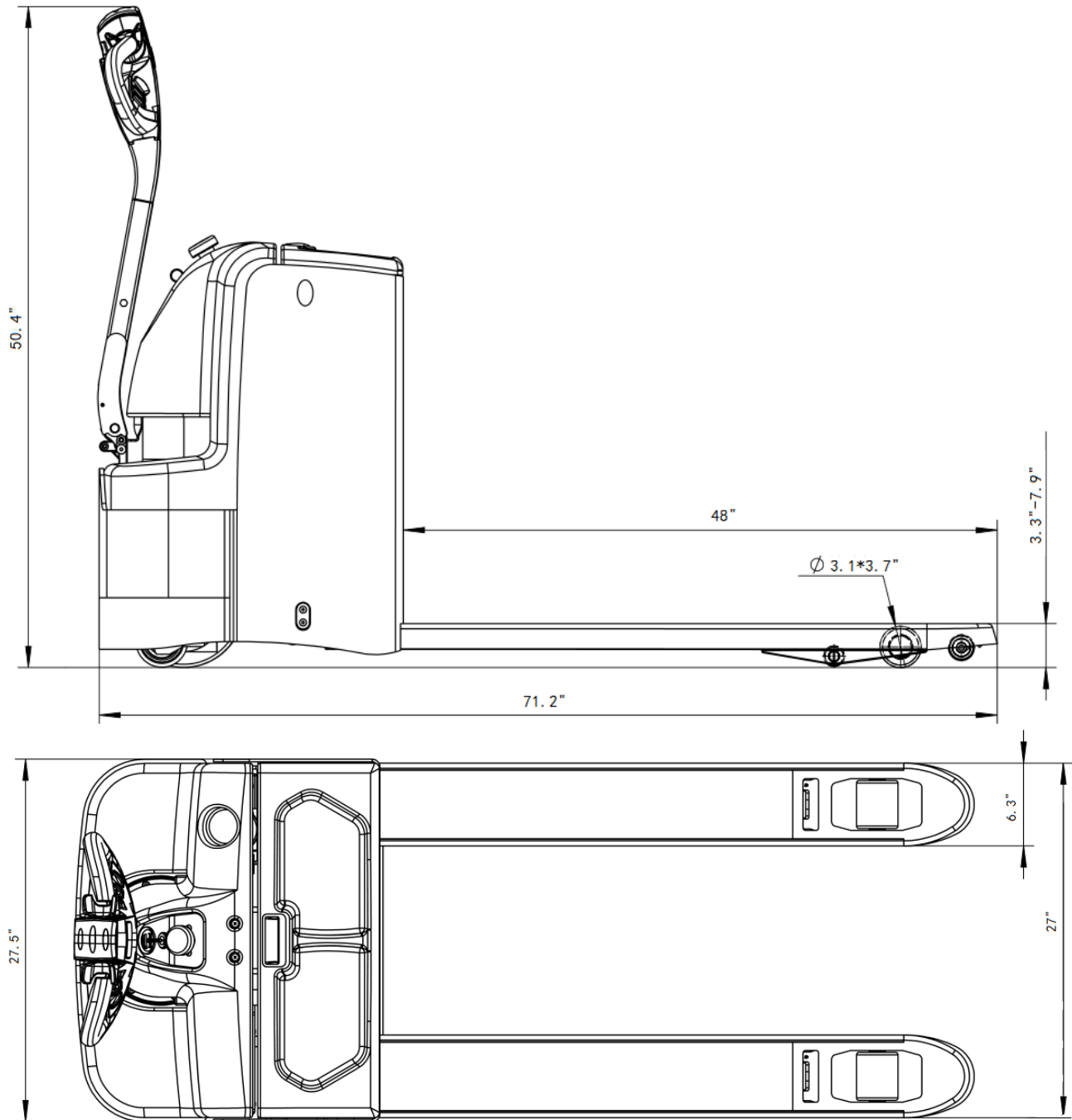
BRAKES: Electro-magnetic braking for secure stopping power; Electronic neutral braking for accurate control.

OPERATOR CONTROLS: Throttle, lifting, lowering, turtle mode and horn functions are located in the ergonomic handle; turtle button; belly button reverse safety feature allows the unit to stop and reverse to avoid collision or injury.

CHASSIS AND MAST: Robotic Welding; Heavy duty steel for durability.



Walkie Pallet Jacks



MODEL #	LOAD CAPACITY	FORKS	BATTERY	SERVICE WEIGHT
EP18D	4000lbs	27x48	80Ah	720lbs
EP20D	4400lbs	27x48	100Ah	745lbs



1761 W. Holt Ave.
Pomona, CA 91768 USA
T: (877) 232-6517 F: (909) 222-6861

AUTHORIZED DEALERS ONLY
www.ekkolifts.com