



Operations & Maintenance Manual

Lithium Walkie Stacker

EB18C-118LI/138LI/145LI



Instructions for use

Please read this manual carefully and operate the vehicle safety.

- Do not operate this vehicle without training.
- Please comply with ISO3691 “Safety Specification for Motor Vehicles Industry”.
- Please do not modify or change the repair parameters, including adjusting the pressure. Any loss or damage to the vehicle resulting from such actions will be your responsibility, and doing so will void our warranty commitment.

SPECIAL WARNING:

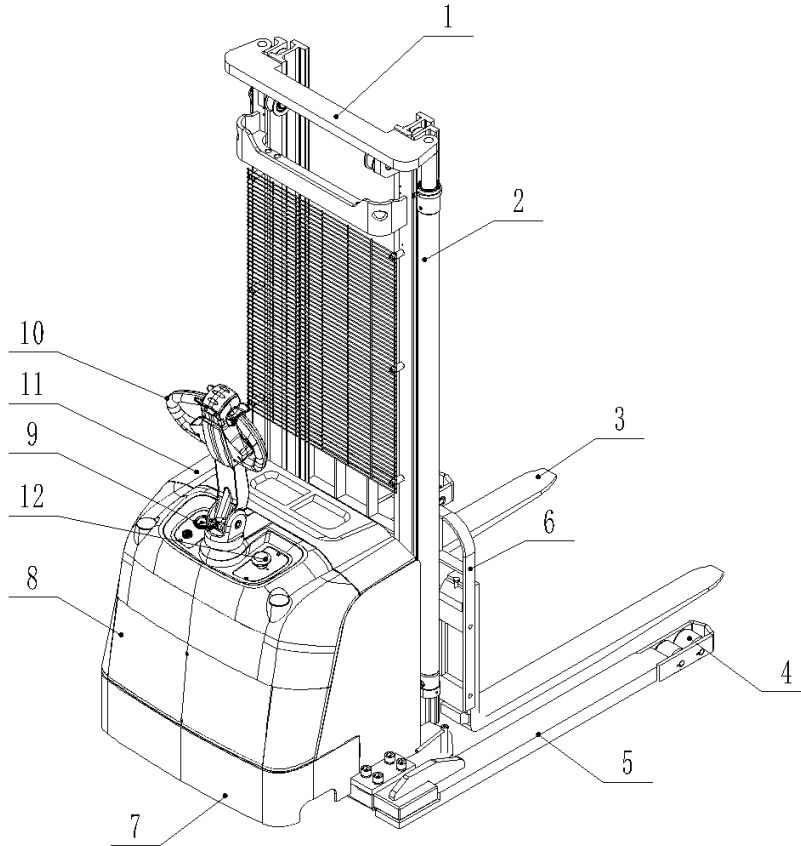
The company is committed to innovation and sustainable development. As part of this commitment, we continually improve the technology of our products. Therefore, we reserve the right to make changes and improvements to any product described in this specification without prior notice.

01. Overview

All-electric pallet stacker

The fully electric pallet stacker is battery-powered and is suitable for operating in narrow aisles and limited spaces. It is an ideal tool for the warehousing and logistics industry.

1.1 Main parts



No.	Name	No.	Name	No.	Name
1	Gantry	5	Leg	9	Ammeter
2	Oil cylinder	6	Backstop	10	Operating handle
3	Fork	7	Frame	11	Battery cap
4	Fork wheel	8	Casing	12	Scram switch

1.2 Permitted conditions of use

◇ The stacker is intended to be used for loading and unloading trucks, loading docks, stock


rooms, manufacturing floors and warehousing and other specific areas.

- ◇ Can only be used on flat surfaces with sufficient carrying capacity.
- ◇ Can only be used on driving roads with unobstructed view and as permitted by the equipment user.
- ◇ Is used within the specified rated load.
- ◇ The average ambient temperature under continuous operating conditions is +77°.
- ◇ The maximum ambient temperature in the short term ($\leq 1h$) is +104°F.
- ◇ The minimum ambient temperature when using the vehicle under normal indoor conditions is +41 °F.
- ◇ The minimum ambient temperature when using the vehicle under normal outdoor conditions is -4°F
- ◇ Altitude $\leq 6,560$ feet.
- ◇ The maximum climb at full load is 6%.
- ◇ It is not designed to travel sideways or obliquely while traveling uphill. When transporting freight uphill, keep the forks facing forward; when moving cargo downhill, keep the forks pointing uphill.

1.3 Obligations and responsibilities of the equipment user

In this operating instruction, "Equipment User" means any person who directly uses or appoints to entrust others to use the stacker. In circumstances such as lease, sale, lease, the "equipment user" represents the party undertaking the stipulated operation obligations according to the terms of the contract concluded between the equipment owner and the user.

The user of the equipment must ensure that the stacker is used only for the specified purposes and promptly eliminate all hazards that may endanger the life and health of the user or a third party. In addition, the equipment user must also strictly abide by the accident prevention regulations, other safety and technical regulations, and the operation, maintenance, and repair standards of the equipment. The equipment user must ensure that all operators carefully read and understand the contents of these operating instructions.

 Failure to comply with these operating instructions will automatically void the company's warranty. If customers and/or third parties perform non-standard operations on the equipment without permission from the company's customer service department, the company will not be responsible for the resulting losses.

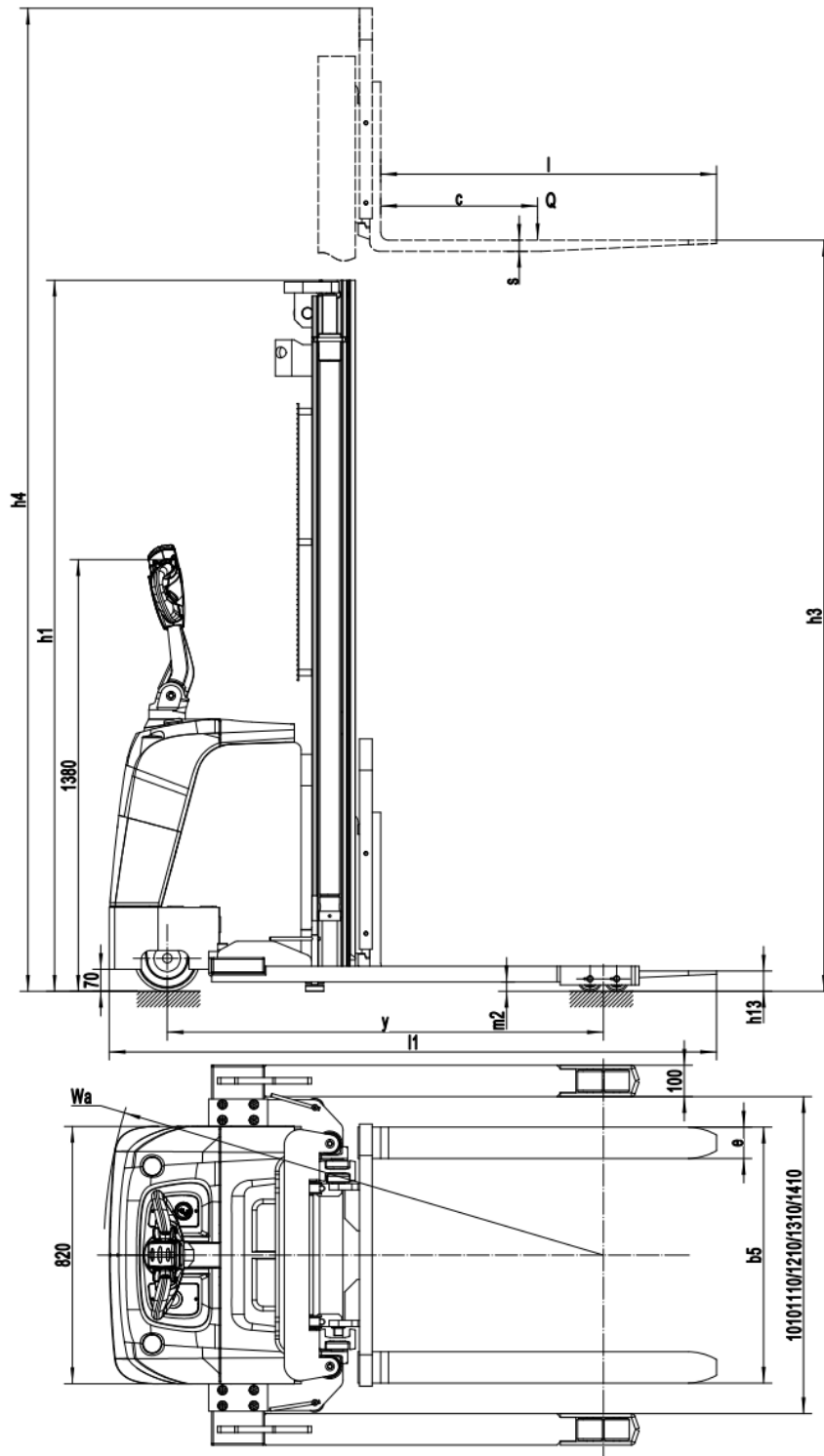
1.4 Install fittings or modify the stacker

Installation of accessories: If you need to install or add additional devices that affect or supplement the functions of the stacker, you must obtain written consent in advance. Depending on the actual situation, it may also be approved by the local competent authority.

The review results of the competent authorities do not represent the opinions of the company.

02. Main technical parameters and characteristics

2.1 Schematic drawing



2.2 Technical data of standard specifications

trait	1.1	Model number		EB18C
	1.2	Driving mode		Electric (battery)
	1.3	Driving mode		Station driver
	1.4	Rated load	Q(lbs.)	4,000
	1.5	Load center distance	c(in)	20
wheel	3.1	Wheel material		Polyamine wheel
dimension	4.1	Lifting height	h3(in)	118/138/145
	4.2	Height when gantry is lowered	h1(in)	80/89.1/93.1
	4.3	Maximum vehicle height during operation	h4(in)	147.3/167/174.8
	4.2	Lower fork height	h13(in)	2.56
	4.3	Total length	l1(in)	76.2
	4.4	Legs wide inside	in	19.8/43.7/47.6/51.6/55.5
	4.5	Fork size	S/e/l(in)	2.4/5.6/45.3
	4.6	The fork is wide outside	b5(in)	8.7~32
	4.7	Minimum ground clearance	m2(in)	1.2
	4.8	Turning radius	Wa(in)	62.7
property	5.1	Travel speed, full/empty	mph	2/2.4
	5.2	Lift speed, full load/no load	in/s	2.95/3.54
	5.3	Descent speed, full load/no load	in/s	3.34/2.75
	5.4	Climbing capacity, loading/unloading	%	3/10
	5.5	Service brake	motor	Electromagnetic - regenerative braking
Electric machine	6.1	Drive motor power	kW	0.75
	6.2	Boost motor power	kW	3
	6.3	Battery voltage/rated capacity	V/Ah	Lithium battery24/90
other	7.1	The driver's ear noise level meets DIN12053	dB(A)	<70

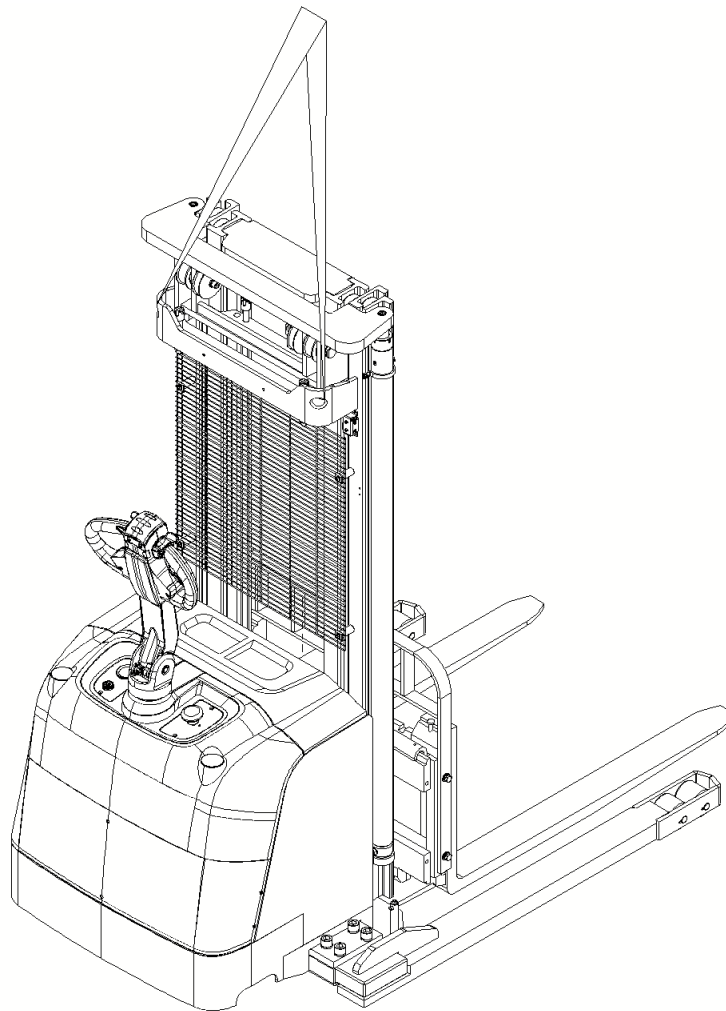
* The technical data given above are standard data, the company reserves the right to make technical changes and supplements.

03. Hoisting, fixing and Transportation of stackers

The stacker is not appropriate for long-distance transportation, as it is designed for short-distance handling and loading and unloading at the factory site. The stacker truck can be safeguarded during long-distance transportation by transporting on vehicles, trailers, and other long-distance transport stackers via the cargo loading and unloading platform of the lifting device.

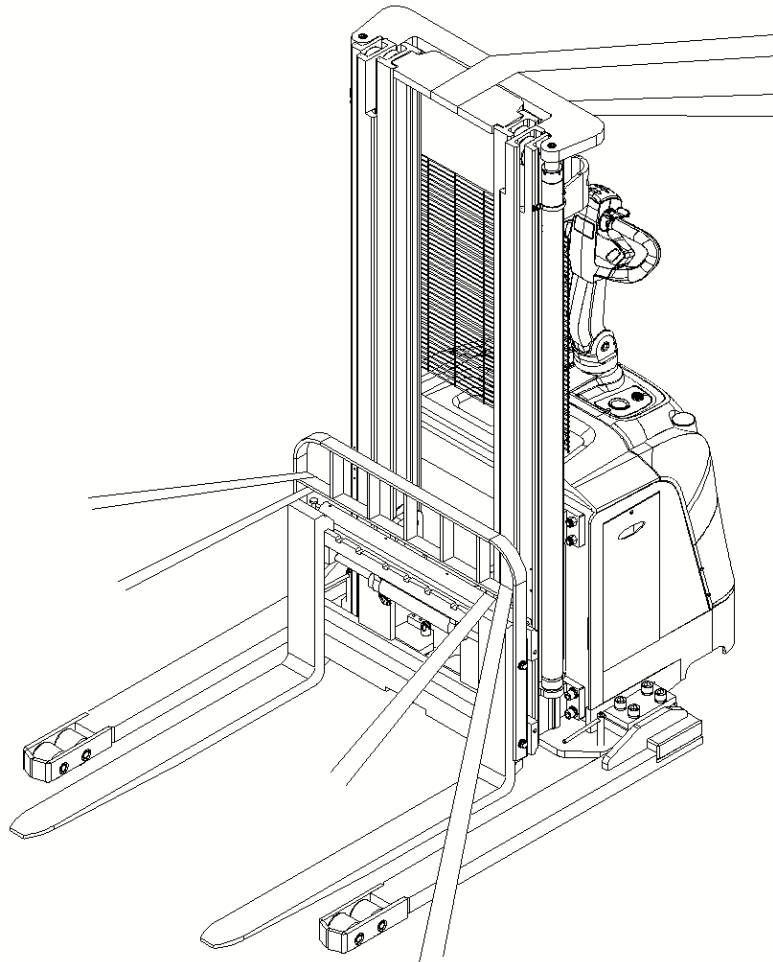
3.1 Lift

- ◇ Use professional cranes and lifting equipment
- ◇ Do not stand below the stacker
- ◇ When lifting or putting down, keep the stacker stable and slow to avoid bumps or safety accidents.



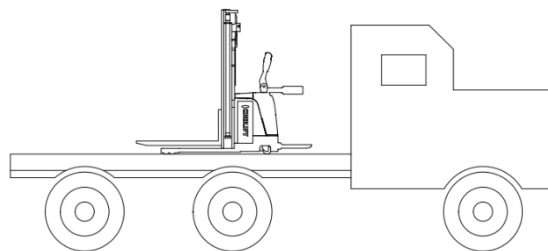
3.2 Fixed during transportation

Lower the fork and park the stacker safely.



3.3 Transport

The stacker as a short distance stacking handling tool in the field (factory), is not suitable for long-distance driving. To transport a stacking truck over a distance, it needs to attach it firmly to the truck or truck.



04.Forklift operation

The stacker must be operated and maintained according to the instructions specified in this manual. The correct use and operation of the stacker will bring great convenience to your work. The use of the stacker for any other use is a non-conforming operation and may cause casualties or damage to a stacker truck or other property.

4.1 Check before operation

◆ Leakage check

On the ground where the stacker is parked, check for hydraulic oil and other leaks.

◆ Fork check

Check whether the cargo fork is cracked or bent.

◆ Wheel check

Check the wheel for cracking, damage, or abnormal wear. Check for loose wheel fasteners.

Check for ropes around the wheel.

◆ Door frame inspection

Check whether the gantry is deformed and whether the chain is loose.

◆ Hydraulic oil inspection

Open the rear cover and check whether the oil level is between the specified ranges and added when insufficient.

◆ Battery inspection

Check that the battery is held firmly and secure.

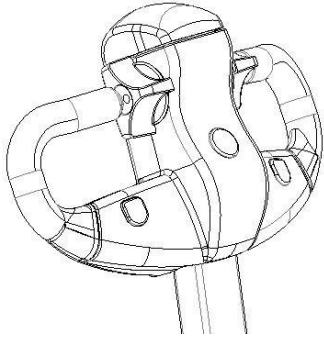
Check both terminal wiring for loose or damaged wires.

4.2 Start

◆ Instrument inspection

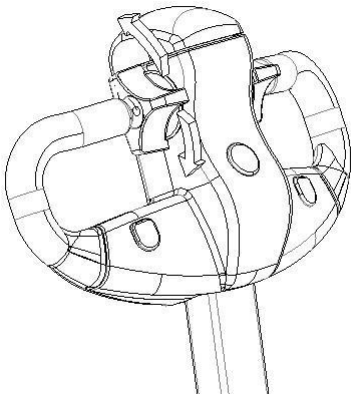
Open the key switch and emergency stop button and check whether the instrument power display is normal.

◆ Lift check



Press the lift button to check the fork lift. Press the drop button to check the fork drop. Check the lifting system for abnormal sound.

◆ Forward and backward check



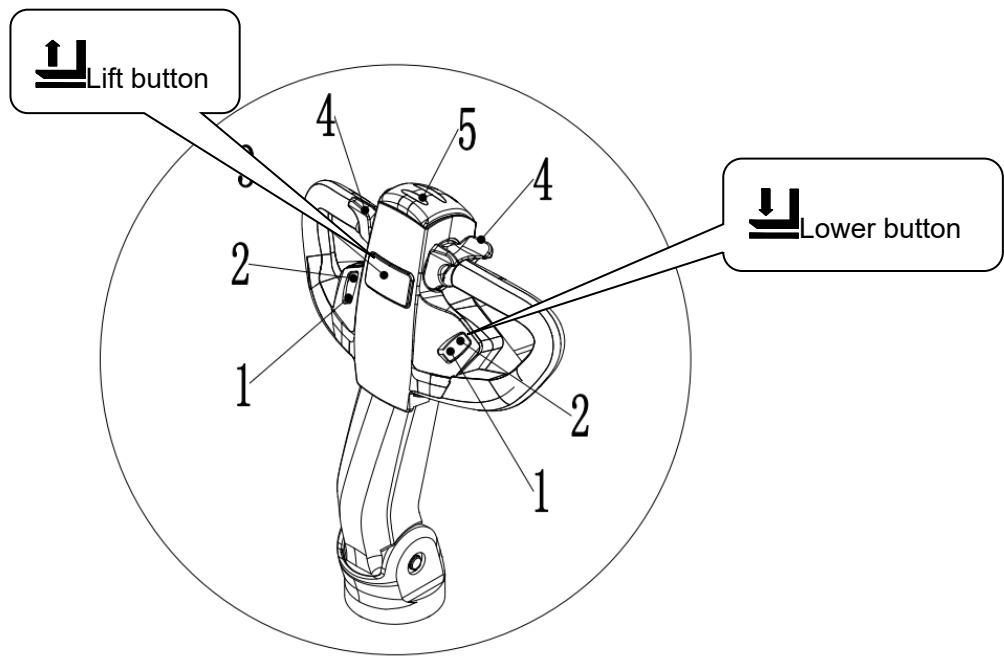
Press the operating handle to the driving state, use your thumb to turn the throttle toward the fuselage, and observe the stacker's retreat; otherwise, observe the forward direction of the stacker.

◆ Turned to check

While the stacker is driving, turn the operating handle to the left or right to see if the steering is normal.

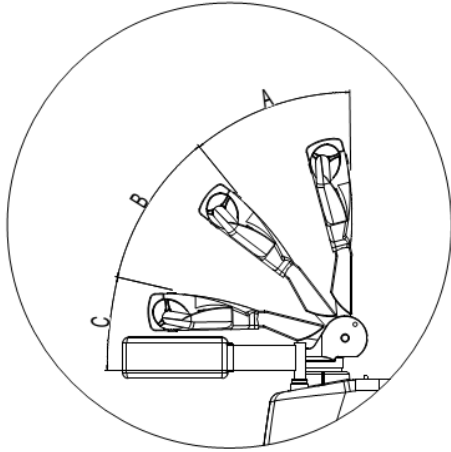
◆ Horn check

Press the horn and check the sound.



No.	Name	Function
1	Lift down button	Press the lower button and the fork lower
2	Lift up button	Press the lift button to lift the fork
3	Horn button	Press the horn button to make a beep sound
4	Forward and backward accelerator	Rotate towards the operator, the vehicle retreats, and vice versa the vehicle advances
5	Emergency reverse button	Touch the button, the stacker emergency reverse backward

4.3 Parking



The handle is divided into three sections A, B and C in the vertical plane, and the two zones A and C are the braking zones.

When the handle is located in zone A or zone C, the vehicle is in the braking state.

If the handle is located in area B, the vehicle is in normal running condition.

Danger: Forklift is strictly prohibited to park on the slope.

◆ Acceleration and deceleration

◆ Lifting and descending

The accelerator has a stepless speed regulation function, and the amplitude of the accelerator rotation determines the speed of travel.

When you spin clockwise or counterclockwise, it will determine the forward and backward direction of the vehicle.

◆ Emergency stop



When the forklift is in a variety of emergency situations, the emergency stop button should be pressed immediately.

05.Maintenance

This chapter describes the maintenance work required to ensure the safe and efficient operation of the stacker truck. To make your stacker last longer, we recommend that you regularly check and maintain your stacker, and regularly check unit if your stacker is stopped or not in use for a long time.

Stacker lubrication is the key link of maintenance work, poor lubrication will reduce the mechanical efficiency and cause the rapid wear of parts, affect the normal operation of the stacker truck, so we must often do a good check of lubrication work. Stacker maintenance is also the focus of the maintenance work, according to the provisions of the stacker daily maintenance work can be avoided.

Warning: Before maintenance, ensure the battery plug is disconnected and hang a warning sign on the stacker.

5.1 Daily maintenance schedule

Battery

Check item	Maintenance requirement	1 day (8h)	1 week (50h)	1 month (200h)	3 months (600h)	6 months (1200h)
Battery	Check acid concentration, liquid level and battery voltage		•			
	Check if the battery is low	•				
	Check whether the terminal is fixed. Whether the cable is loose			•		
	Clean foreign bodies on the surface in time	•				
	Whether the battery cable is damaged,			•		

Controller

Check item	Maintenance requirement	1 day (8h)	1 week (50h)	1 month (200h)	3 months (600h)	6 months (1200h)
controller	Whether the plug is aged					•
	Whether the contactor is normal			•		
	Check whether the connection between the motor, battery and drive device is normal			•		

Lifting system

Check item	Maintenance requirement	1 day (8h)	1 week (50h)	1 month (200h)	3 months (600h)	6 months (1200h)
Chain and sprocket	Check the chain for rust					●
	Check whether the chain is loose			●		
	Check the chain for deformation and damage					●
Lifting cylinder	Check the piston rod and thread connection for loosening, deformation and damage					●
	Check whether the cylinder works properly	●				
	Check for any leakage		●			
	Check dowel pins and cylinder blocks for wear and damage			●		
Forks	Inspect the fork for deformation, wear and damage				●	
	Check the fork body and upper slide block for wear and cracks caused by welding defects				●	
Frame rack and fork rack	Check for welding defects, cracks and damage between tilt cylinder support and the frame			●		
	Check the fixing of the lifting frame					
	Visual inspection of the roller	●				
	Check the fixing of the lifting frame	●				
	Check the parallelism and side clearance			●		

	of the gantry column					
--	----------------------	--	--	--	--	--

Motor

Check item	Maintenance requirement	1 day (8h)	1 week (50h)	1 month (200h)	3 months (600h)	6 months (1200h)
Motor	Check the wear of the carbon brush					•
	Check motor fixation			•		

Drive system

Check item	Maintenance requirement	1 day (8h)	1 week (50h)	1 month (200h)	3 months (600h)	6 months (1200h)
Reduction box	Check for abnormal sound	•				
	Check for oil leaks		•			
	Replace the gear oil					•

Wheel

Check item	Maintenance requirement	1 day (8h)	1 week (50h)	1 month (200h)	3 months (600h)	6 months (1200h)
Driving wheel, balancing wheel and carrying wheel	Check for wear and tear	•				
	Check for support and fixation		•			
	Check for foreign objects on the tire	•				

Check item	Maintenance requirement	1 day (8h)	1 week (50h)	1 month (200h)	3 months (600h)	6 months (1200h)
Brake microswitch	Check the braking status of the control handle in the horizontal and vertical positions	•				
	Check whether the microswitch functions properly			•		
Brake	Whether the installation is firm			•		
	Whether damaged or not				•	

	Clean brake				•	
	Brake sensitivity	•				

Brake system

Check item	Maintenance requirement	1 day (8h)	1 week (50h)	1 month (200h)	3 months (600h)	6 months (1200h)
Hydraulic tank	Check the hydraulic oil level and replace the hydraulic oil					•
	Clean the oil suction filter			•		
	Clean the outside			•		
Hydraulic pump	Check whether the hydraulic pump leaks		•			
	Check whether the hydraulic pump is damaged				•	

Hydraulic system

Check item	Maintenance requirement	1 day (8h)	1 week (50h)	1 month (200h)	3 months (600h)	6 months (1200h)
Emergency stop switch	stipulate	•				
Lift and drop button	stipulate	•				
Horn	Check whether the horn works properly	•				
Appearance	Check whether the meter display is normal	•				

Attached table

Replace key parts regularly

Some parts must be inspected regularly for damage; to further improve the safety of the product, users should regularly replace the parts in the table below.

If these parts are damaged before replacement, they should be replaced immediately.

Description of critical safety parts	Use time interval (years)
Hydraulic tubing for lifting system	1-2
Lifting chain	2-4
Hydraulic system high pressure line	2
Internal sealant, rubber products	2
Rigid conductor	1

06. Fault diagnosis and treatment

6.1 Fault alarm and handling

When the forklift fails, the electric control indicator will show the alarm fault.

Fault Code	Fault name	Possible Causes	Fault effect	Recovery mechanism
1.1	Thermal Fault	<ol style="list-style-type: none"> 1. Temperature >176°F or < -50°F; 2. Vehicle load overload. 3. The controller does not effectively heat dissipation. 4. The electromagnetic brake is not released. 5. The temperature sensor is faulty. 	<p>The temperature is too high: when the temperature reaches 80°C, the current begins to decay linearly, and the output is turned off when the temperature reaches 105°C.</p> <p>The temperature is too low: when the temperature is below -10°C, the current begins to decay linearly, and when the temperature drops to 25°C, the output is 50%</p>	Fault clearing
1.2	Throttle Fault	<ol style="list-style-type: none"> 1. The accelerator input line is broken or short-circuited. 	Slowdown	Fault clearing

		2. Accelerator damage. 3. Wrong configuration of accelerator type;		
1.3	Speed Pot Fault	1. Speed limiting potentiometer input line break or short circuit. 2. Speed limiting potentiometer damaged;	The maximum speed limit is Creep speed	Fault clearing
1.4	Undervoltage Fault	1. The battery voltage is lower than 17V. 2. The cables between the controller and battery are improperly connected.	The current limit is linearly reduced from 100% to 0% in case the voltage is too low to cause the internal relay to disconnect. When the battery voltage rises to the operating limit, the controller recovers	Fault clearing

Fault Code	Fault name	Possible Causes	Fault effect	Recovery mechanism
1.5	Overvoltage Fault	1. The battery voltage is greater than 31V. 2. Plug in the charger to operate the vehicle. 3. The cables between the controller and the battery are improperly connected.	The current limit decreases linearly from 100% To 0%. The battery automatically resets when the voltage returns to the normal range.	The fault is rectified. Restart the key switch when the voltage exceeds 34V.
2.1	Main Off Fault	1. Internal relay drive disconnection failure;	Does not respond to throttle input.	Fault clearing
2.2	EMR Sequencing Fault	1. Before opening the key switch, the emergency reverse (abdomen button) switch is pressed Next:	Does not respond to throttle input.	The emergency reverse switch is released, and the fault is cleared.
2.3	Main Fault	1. Internal relay failure;	Does not respond to throttle input.	The fault is rectified, and the key switch is restarted.
2.4	Main On Fault	1. Internal relay drive closure failure;	Slow down car stop, electromagnetic brake lock.	Fault clearing
2.5	Pump SRO Fault	1. Before opening the key switch, the pump switch is pressed;	If the Lift Lockout Enable parameter is set to ON, the lift lock output is turned off. ;	Fault clearing

2.6	Creep Mode Fault	Upright walk timeout	Inability to walk upright	Reset the turtle speed switch
2.7	SRO Fault	The interlock was activated before the key was opened	Vehicle unable to run	Reset the interlock switch
3.1	Wiring Fault	1. The accelerator operation is not correct (such as triggering HPD failure); 2. The accelerator parameters are incorrectly configured 3. The accelerator connection is abnormal or damaged;	The key switch needs to be restarted, and the fault cleared before responding to the throttle again.	Fault clearing And restart key Key switch.

Fault Code	Fault name	Possible Causes	Fault effect	Recovery mechanism
3.2	Brake On Fault	1. Electromagnetic brake drive short circuit; 2. Open circuit of electromagnetic brake coil;	Set the throttle to zero and the electromagnetic brake to lock.	Fault clearing
3.3	Precharge Fault	1. Electromagnetic brake drive short circuit; 2. The pre-charging circuit is damaged. 3. The power MOSFET is damaged.	The internal relay does not close, does not respond to throttle input, and the vehicle does not run.	The fault is rectified and the key switch is restarted.
3.4	Brake Off Fault	1. circuit of electromagnetic drive damage; 2. Electromagnetic brake coil short circuit;	Set the throttle to zero and the electromagnetic brake to lock.	Fault clearing
3.5	HPD Fault	1. The operation sequence between the accelerator and the key switch or interlock input is incorrect; 2. The accelerator operation is not	Do not respond to throttle input until the accelerator returns to neutral, and this failure for 10s will trigger Wiring Fault failure.	Fault clearing

		correct;		
4.1	Current Sense Fault	1. Motor short circuit or electricity Machine line short circuit; 2. The controller is faulty.	Close the internal relay, does not respond to the throttle, the motor does not run.	The fault is rectified and the key switch is restarted.
4.2	Hardware Failsafe	1. Motor short circuit or electricity Machine line short circuit; 2. The controller is faulty.	Disconnect motor and main relay, electromagnetic brake lock.	The fault is rectified and the key switch is restarted.
4.3	EE CheckSum Fault	1. Internal parameters of the controller are faulty.	Disconnect motor and main relay, electromagnetic brake lock.	Write the parameters again and restart the key Switch.
4.5	Battery Disconnect Fault	1. The battery is not connected.	Motor short circuit braking, Electromagnetic brake lock.	The fault is rectified and the key switch is restarted.

6.2 Common faults and troubleshooting methods


No.	Fault description	Possible Causes	solution
1	Stacker not working (contactor not working)	① The fuse wire of the control circuit has been burned out	Replace
		② The power switch is in poor contact or damaged	Repair or replace
		③ The fuse of the main circuit has been blown	Replace
		④ The electric lock switch is in poor contact or damaged	Repair or replace
		⑤ The battery connection is loose or disconnected	Screw down
	Stacker not working (contactor working)	① The magnetic brake of the driving wheel is not drawn, and the vehicle is in the braking state	Repair or replace
		② The carbon brush of the walking motor is worn or the commutator is in poor contact with the carbon brush	Repair or replace
		③ The excitation coil of the traveling motor is broken or the line end is in poor contact	Repair or replace
		④ Poor contact of contactor	Repair or replace
		⑤ The MOSFET tube circuit board is faulty	Repair or replace
2	Stackers can only go forward (or	① The contactor is in bad contact or burned out	Repair or replace
		② The circuit board is faulty	Repair or replace

	backward)		
3	The stacker cannot stop while it is running	The contactor contact is damaged, and the moving contact is out of position	Cut off the power supply and replace the contactor contact
4	Brake failure	① Mounting bolts of microswitches are loose or damaged	Adjust or tighten the bolts, or replace the microswitch
		② The paramagnetic brake wiring is loose or the paramagnetic brake is damaged	Tighten the bolt or repair the paramagnetic brake
		③ paramagnetic brake disc wear	Replacement disc
5	Steering jam	① Steering gear bearing damage	Change bearing
		② Steering gear bearing lack of oil or too much sticky dust	Bearing cleaning
6	The driving wheel steering is heavy, there is noise, and the motor is in an overload state	① Gear and bearing have foreign bodies stuck	Clean or replace bearings
		② Bearing installation gap, or ring off	Ring off, reinstall, adjust the gap
		③ Front wheel bearing damaged	Change bearing
7	The fork does not lift	① overload use	Load reduction
		② The relief valve pressure is too low	Turn up
		③ The lifting cylinder has abnormal internal leakage	Replace seal
		④ Hydraulic oil is not enough	Add appropriate amount of filtered hydraulic oil
		⑤ Battery voltage is not enough	Battery charging
		⑥ The control hand is not in the horizontal or vertical position, and the oil pump motor is not powered	Improper operation
		⑦ oil pump motor damage	Repair or replace
		⑧ Oil pump damage	Repair or replace
		⑨ The lift button switch is damaged	Repair or replace
		⑩ Electric lock not opened or damaged	Repair or replace
		(11) Battery voltage is seriously insufficient	Charge
8	The fork does not fall after it rises	① Overload deformation of the inner door frame	Repair or replace
		② The outer door frame is overloaded and deformed	Repair or replace
		③ The door frame roller is stuck	Repair or adjust
		④ The portal frame guide rod is bent	Repair or straighten
		⑤ The oil return hole is blocked	Clear
		⑥ Solenoid valve of hydraulic station is out of control	Troubleshoot the solenoid valve

9	Battery terminal voltage reduction (after charging)	① A single battery is damaged	Repair or replace
		② Battery liquid level is low	Add electrolyte
		③ There are impurities in the electrolyte	Electrolyte change

If you fail to troubleshoot after performing all the steps listed in the Solution, contact our customer Service. Further search and troubleshooting operations must be conducted by specially trained after-sales service personnel.

07.Forklift safety operation rules

 Warning: To ensure the safe operation of stacker trucks, the operators should be familiar with the working principle and relevant regulations of stacker trucks, and should follow the following procedures:

- 1) Only over 18 years old, professionally trained, and certified operators are allowed to operate the stacker.
- 2) The operator must be familiar with the use instructions of the stacker, wear helmets, work shoes, work clothes and other protective equipment.
- 3) The operator checks whether the safety device is complete and intact before using the vehicle, and the components are sensitive and effective. The stacker is prohibited to be operated by anyone "under the influence":
- 4) The working road surface shall be flat with cement or similar ground. Precheck the ground conditions of the work site. Organize the workplace, remove obstacles, remove gravel, sediment, wipe away oil, water traces.
- 5) Before operation, first familiarize yourself with the curve diagram on the load curve sign, which represents the relationship between the rated load and the load center distance. Overloading is strictly prohibited.
- 6) Before starting, sound the horn to make sure no one is around.
- 7) When stacking the goods, do not allow goods to deviate from the center of the fork, and when the goods can easily fall away from the center of the fork, when turning or driving on uneven pavement. This increases the possibility of a rollover.
- 8) Quick drive, sharp stop, sharp turn operation is not allowed.
- 9) Do not operate unit with forks raised.

- 10) The cargo should be guided or allowed to run later when it is overloaded and impacts the line of sight.
- 11) Due to the small wheels of the pallet stacker, the truck cannot run on the road, and only operates on smooth and level surfaces.
- 12) It is strictly prohibited to stand or walk under the forks during operation. Do not stand on the forks. Make sure your head, hands, feet, and body are not stretched over the forks and front legs. Once caught, life is in danger. Do not put your hands between the inner and outer gantry.
- 13) Loading uphill can cause cargo to run ahead. Do not turn on the ramp. Otherwise, there is a danger of tipping over. Avoid working on a ramp.
- 14) Do not let the battery drain until the stacker can no longer be moved before recharging it, as this will shorten the battery life. When the power indicator light flashes red, please charge immediately.
- 15) Check the electrolyte level once a week, when the electrolyte level is low, add distilled water to the specified liquid level. The electrolyte is 15-20mm higher than the protective plate.
- 16) The acid in the battery is corrosive, and when operating the battery, you should wear protective clothing and protective goggles.
- 17) The stacker adopts electromagnetic braking mode, after the power is off, the brake will be dead, so the stacker cannot be pulled (towed).
- 18) Please comply with the requirements of the operation and maintenance manual and vehicle markings. Check signs and replace any that are damaged or fallen off.
- 19) The workplace should be equipped with fire extinguishers. Users can also choose to equip the vehicle with a fire extinguisher. Drivers and managers should be familiar with the location and use of fire extinguishers.
- 20) It is prohibited to clean the inside of the stacker with water, and the stacker is not allowed to be placed in the open on rainy days.
- 21) The battery power plug must be unplugged before any disassembly or repair is performed on the stacker.
- 22) Whenever a malfunction occurs, the stacker must stop, hang a "failure" sign on the vehicle, remove the key, and report to the manager. The stacker can only be used after troubleshooting. If

a sudden failure occurs when lifting goods, going uphill, or downhill, personnel should be organized immediately to repair it.

23) When any flame comes close to the battery, explosive gases will be produced inside the battery.

24) Before charging, check for obvious damage to the cable connection and plug connection parts.

25) The space where the stacker is charged should be adequately ventilated.

26) When the forklift is not in use, the battery must be charged and stored. It is recommended to charge once a week.

27) No flammable and sparking equipment should be located within at least 7 feet of the stacker.

28) Never place metal items on the battery to avoid sparks or short circuiting.

29) If the battery life exceeds 4 years, it should be replaced.

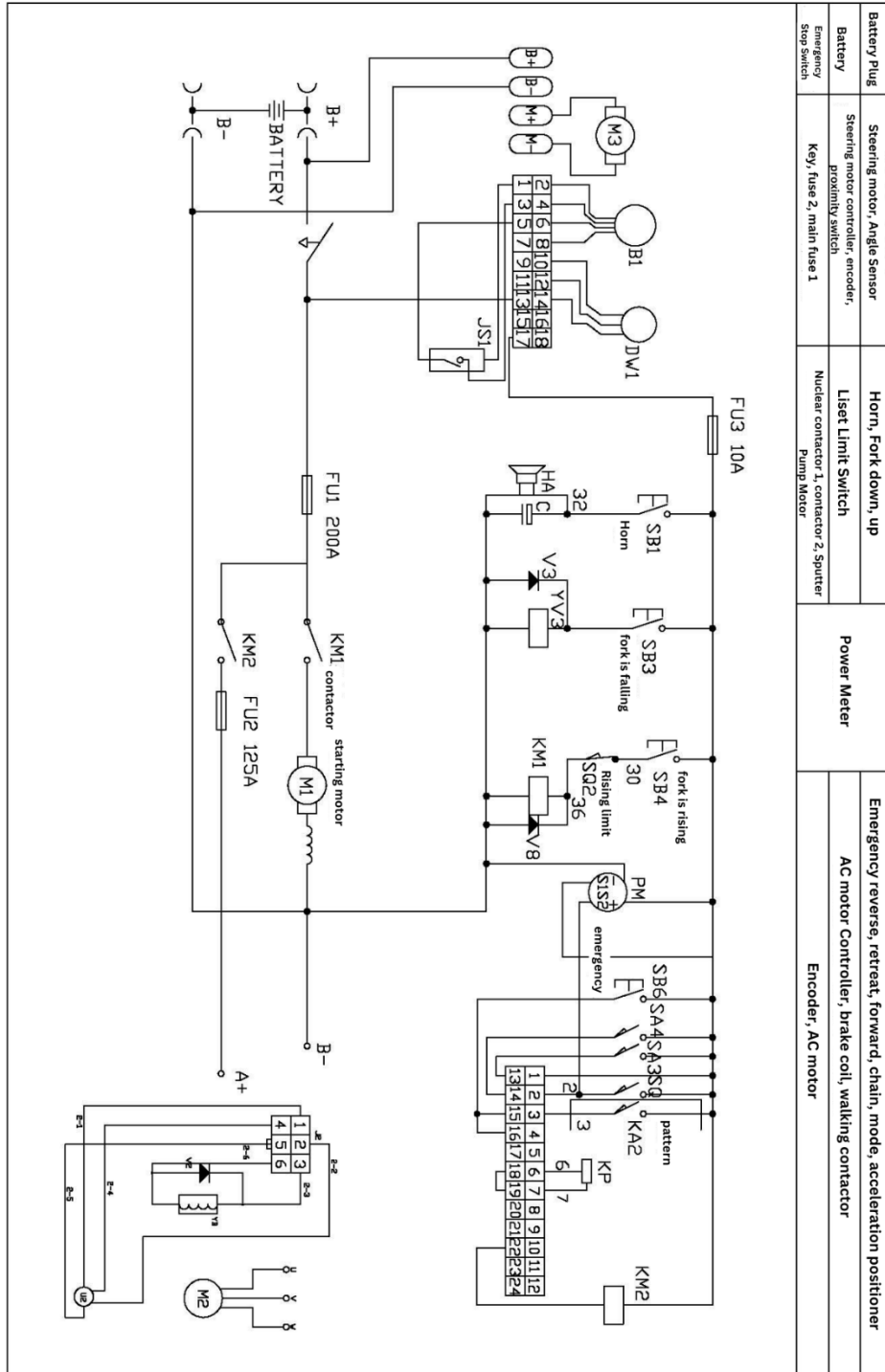
30) Try not to use it under overload, high humidity or high slope.

31) When charging externally, do not connect the battery polarity, otherwise the battery may be scrapped.

32) After the battery is scrapped, please return it to the recycling bin for unified disposal and do not discard it randomly.

08.Schematic diagram

8.1 Electrical system



8.2 Hydraulic system

