

EKKO[®]

MATERIAL HANDLING EQUIPMENT

MOVING AHEAD

COUNTERBALANCE STACKER EK14S-130 SERIES

- Load Capacity 3300 lbs.
- Lift Height 130" in.
- EPS (Elec. Power Steer)
- Length 109 in.
- **SIDE-SHIFT**
- Curtis Instrument Controller
- Tilt 2/5 degree
- Mast Height 84 in.
- Battery & Charger Included
- 3 Year Limited Warranty



EK14S-130 SERIES

Superior quality, maneuverable, compact, and durable for all your material handling applications. Ideal for small aisles and areas.

WEIGHT CAPACITY: 3300 lbs. @ 24" load center

LIFT HEIGHT: 130" (10.83ft)

FORK LENGTH: 45.3"

MAST HEIGHT: 84"

TURNING RADIUS: 57"

TILT: 2/5 degree

SIDE-SHIFT

BATTERY / CHARGER: 24V 210AH,
24-volt Industrial battery with external direct
connect 110A 110VAC plug-in automatic 24V/30A
charger (both Included)

BRAKING: Electromagnetic Brakes

SPEED TRAVEL: 3.7 mph empty ; 3.5 mph loaded

LIFTING SPEED: 5.1 ips empty; 4 ips loaded

LOWERING SPEED: 4.7 ips empty; 5.3 ips loaded

DRIVE WHEELS: 10" x 2.75" Polyurethane

LOAD WHEELS: (2) 9.5" x 4.75" Polyurethane

HYDRAULICS LIFTING MOTOR: 24V 2500 Watt lifting motor with hardened chrome moly steel for durability.

DRIVE MOTOR: 24V 2500-Watt German ZF AC drive motor for efficiency and high torque.

STEERING MOTOR: EPS (Electronic Power Steering) 24V 200 Watt

AC CONTROLLER: 24V CURTIS Instrument provides performance through entire range of speed; Constant travel speed regardless of load; Battery discharge indicator combination gauge.

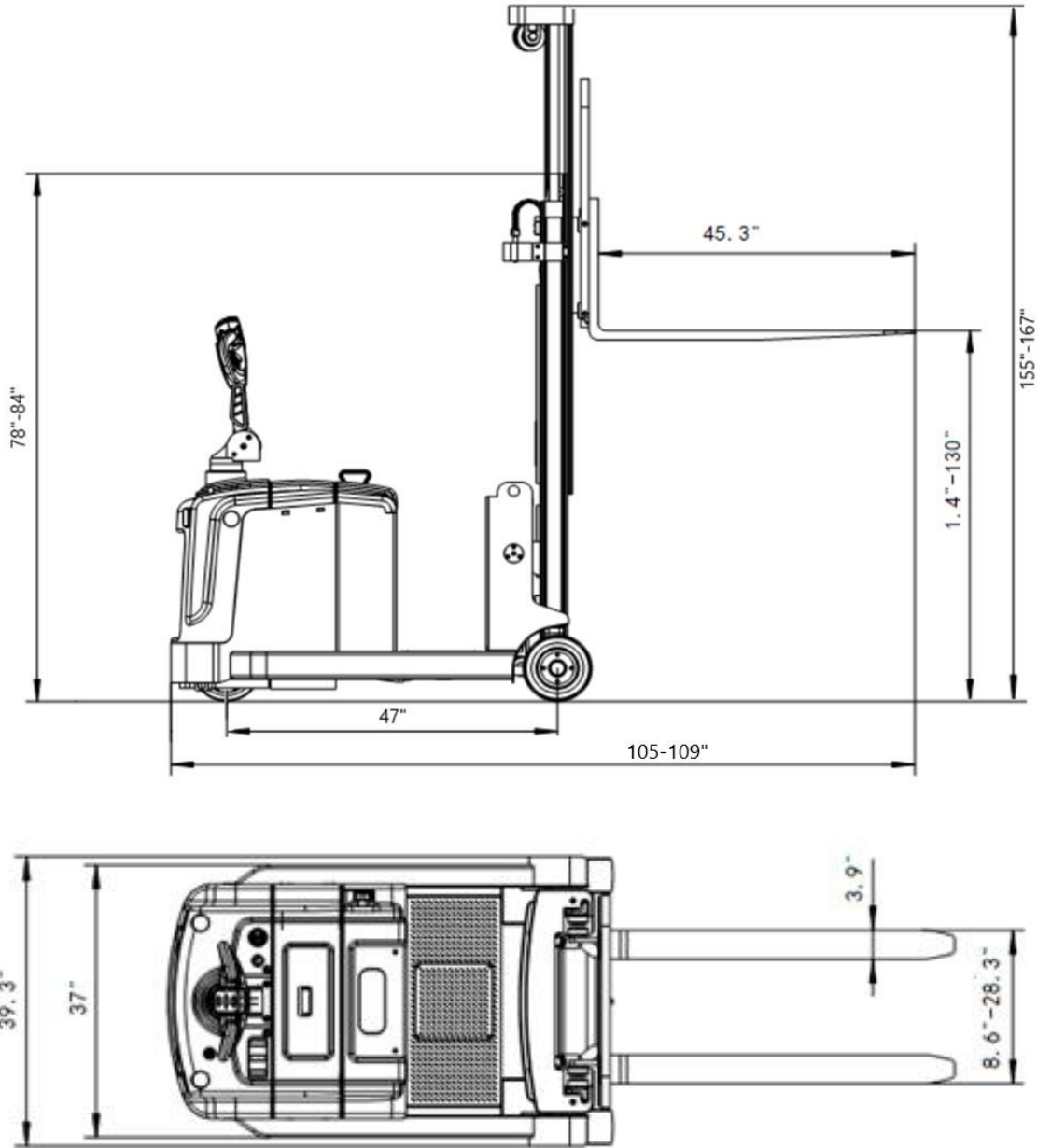
BRAKES: Electro-magnetic braking for secure stopping power; Electronic neutral braking for accurate control.

OPERATOR CONTROLS: EPS (Electric Power Steering), tilt lifting, lowering, horn functions are located in the ergonomic handle; Belly button reverse safety feature allows the unit to stop and reverse to avoid collision or injury.

CHASSIS AND MAST: Robotic Welding; Heavy duty steel chassis with I-beam mast for durability; Telescoping mast.



Counterbalance Stacker



| MODEL # | LOAD | MAST | LIFT HEIGHT | MAX MAST HEIGHT | TOTAL LENGTH | SERVICE WEIGHT |
|-----------|---------|------|-------------|-----------------|--------------|----------------|
| EK14S-130 | 3300lbs | 84" | 130" | 167" | 109" | 3840 |