

EKKO

MATERIAL HANDLING EQUIPMENT.

MOVING AHEAD

4-WHEEL ELECTRIC FORKLIFT EK20G & EK22G

- Load Capacity 4500-5000 lbs.
- Lift Height 189-216 in.
- **Side-Shift**
- Free Lift 43-52"
- Hydraulic Steering
- Length 132.28 in.
- Curtis Controller
- Tilt
- Fork Length 42"
- Mast Height 83.94-93.11"
- Batteries & Charger
- 3 Year Limited Warranty



EK20G & EK22G

Superior quality, maneuverable, compact, and durable for all your material handling applications. Ideal for small aisles and areas.

WEIGHT CAPACITY: 4500-5000 lbs. @ 19.68" load center

LIFT HEIGHT: 189-216"

FORKS: 42"

MAST HEIGHT: 83.94-93.11"

AISLE REQUIREMENTS: Ast (in) 165" 169" Clear with standard pallets

TURNING RADIUS: 86.02"

FREE LIFT: 43.4"-52.55"

SIDE-SHIFT

INTEGRAL BATTERY / CHARGER: 48V 400-510AH, 48-volt batteries with plug-in automatic 48V/65A charger (both Included)

SPEED TRAVEL: Unloaded 9 MPH/Loaded 7.5MPH

LIFTING SPEED: 12.6 ips empty; 9.45 ips loaded

LOWERING SPEED: 8 ips empty; 6.8 ips loaded

DRIVE WHEELS: 6.50-10 PR solid pneumatic

REAR WHEELS: 5.00-8 PR solid pneumatic

LIFTING MOTOR: 7700 Watt lifting motor

DRIVE MOTOR: 7500 Watts AC drive motor for efficiency and high torque.

AC CONTROLLER: 48V Curtis provides performance through entire range of speed; Constant travel speed regardless of load; Battery discharge indicator combination gauge. "Self-Check Electrical Safety System" performed before operation. Advises for codes or warning signs on digital display.

BRAKES: Drum Brakes with Electro-magnetic braking for secure stopping power; Electronic neutral braking for accurate control.

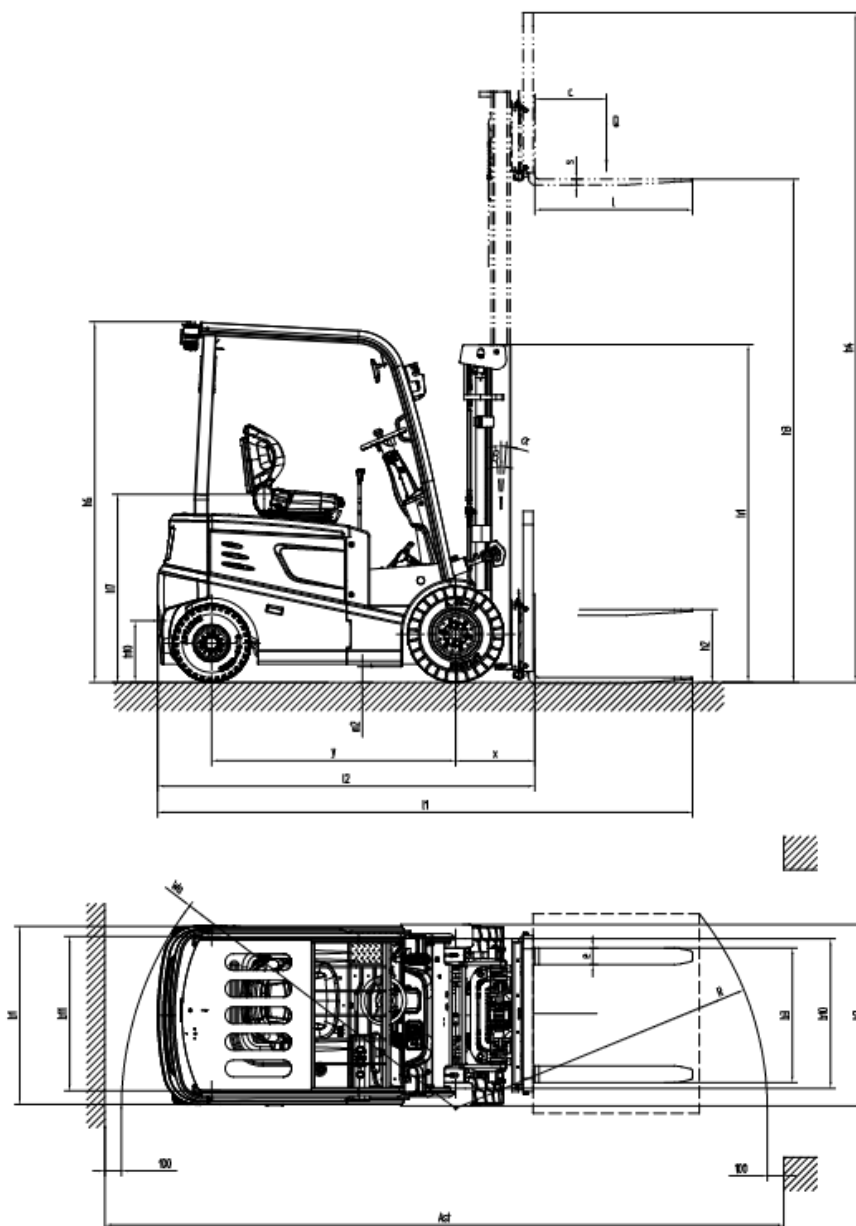
LIGHTING: LED Head lights, rear lights Brake lights, strobe light and backup alarm.

OPERATOR CONTROLS: EPS (Electric Power Steering), tilt lifting, lowering, side shifting forks, horn functions are located in the ergonomic sit down; Led lighting. Battery Discharge indicator and travel speed Odometer

CHASSIS AND MAST: Robotic Welding; Heavy duty steel chassis with I-beam mast for durability; Telescoping mast.



4-Wheel Electric Forklift



MODEL #	MAST	LIFT HEIGHT	FREE LIFT	LOAD CAPACITY	SERVICE WEIGHT
EK20G	93"	216"(18')	52.55"	4500 lbs.	8980 lbs.
EK20GL	83.94"	189"(15.75')	43.4"	4500 lbs.	8770 lbs.
EK22G	93"	216"(18')	52.55"	5000 lbs.	9485 lbs.
EK22GL	83.94"	189"(15.75')	43.4"	5000 lbs.	9265 lbs.