

# EKKO<sup>®</sup>

MATERIAL HANDLING EQUIPMENT

MOVING **AHEAD**

## MANUAL PALLET JACKS A25

- 5500 lbs. Capacity
- Forks 27x48
- Compact & Economical
- Polyurethane Wheels
- Robotic Welding
- German Seal System
- 3 Lever Handle
- Ergonomic Handle
- 3 Year Limited Warranty



## A25 SERIES MANUAL PALLET JACK

Superior quality, maneuverable, compact, and durable for all your material handling applications. Ideal for small aisles and areas.

**WEIGHT CAPACITY:** 5500 lbs.

**LIFT HEIGHT:** 7.5"

**FORK LENGTH:** 27x48"

**TURNING RADIUS:** 55"

**DRIVE WHEELS:** (2) 7" x 2" polyurethane

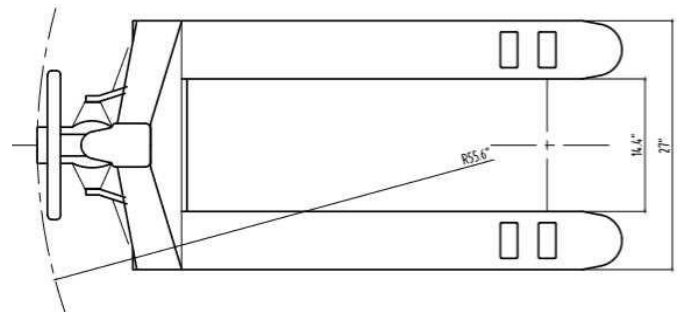
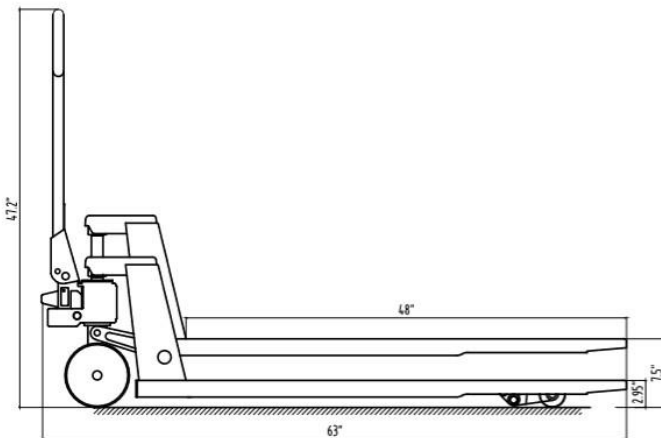
**ENTRY WHEELS:** (2) 1.75" x 1" Nylon

**LOAD WHEELS:** (2) 2.75" x 3.5" polyurethane

**HYDRAULIC PUMP:** German Seal system, Chrome piston rod,

**ERGONOMIC HANDLE:** Three control positions for Lowering, lift and neutral.

**CHASSIS AND MAST:** Robotic Welding; Heavy duty steel for durability.



MODEL #	LOAD CAPACITY	FORKS	SERVICE WEIGHT
A25	5500lbs	27x48	160lbs