



# Parts Manual

Electric Straddle Stacker

EB14C-118/138

EB14C-98LI/118LI/138LI/145LI



## **Instructions for use**

Please read this manual carefully and operate the vehicle safety.

- Do not operate this vehicle without training.
- Please comply with ISO3691 “Safety Specification for Motor Vehicles Industry”.
- Please do not modify or change the repair parameters, including adjusting the pressure. Any loss or damage to the vehicle resulting from such actions will be your responsibility, and doing so will void our warranty commitment.

### **SPECIAL WARNING:**

The company is committed to innovation and sustainable development. As part of this commitment, we continually improve the technology of our products. Therefore, we reserve the right to make changes and improvements to any product described in this specification without prior notice.

# 1. Steering System (Side Shift)

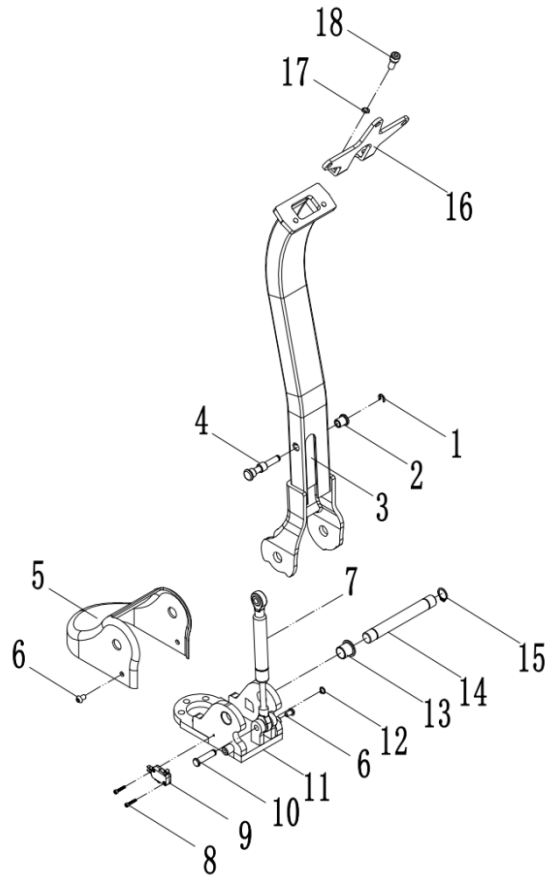


Figure 1

No.	CODE	Figure No.	Name	Qty
1	22601100002	GB896	Retainer ring	1
2	72003001207	QDA1502E0320003	Shaft sleeve	1
3	8D282000013	QDB150301110 240509	Handle rod	1
4	72003001206	QDA1502E0320002	Pin	1
5	75000100121	QDB150901400	Steering seat cover (yellow RAL1037)	1
	75000100146	QDB150901400	Steering seat cover (green RAL6018)	1
6	22101700004	GB70.2	Screw M6x10	2
7	72009040039	QDA1502E0320001	Gas spring	1
8	22101600006	GB70.1	Hexagonal cylindrical head screw M3×16	2
9	11006000022	QDA12E-1340002	microswitch	1
10	72003000301	SP150-03002	pin	1
11	8D282000001	QDB150301200	Handle seat	1
12	22600900011	GB894.1	Retainer ring 8	1

Table 1-1

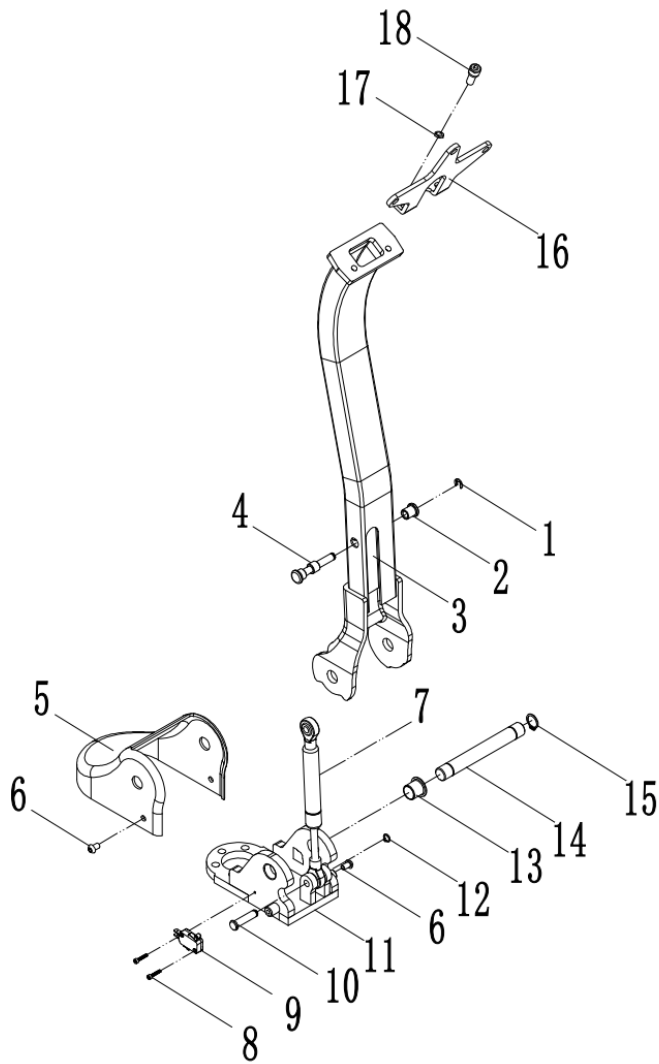


Figure 1

No.	CODE	Figure No.	Name	Qty
12	22600900011	GB894.1	Retainer ring 8	1
13	2310050000001	SF-1-16170	Bushing 16170	2
14	72003001212	QDB150301001	Shaft	1
15	22600900003	GB894.1	Retaining ring 16	2
16	8D085001001	QDA-01019A	Handle retaining plate	1
17	22101600032	GB70.1	Hexagonal cylindrical head screw M8×12	2
18	22501200004	GB93	Spring washer 8	2

Table 2-1

## 2. Handle Accelerator

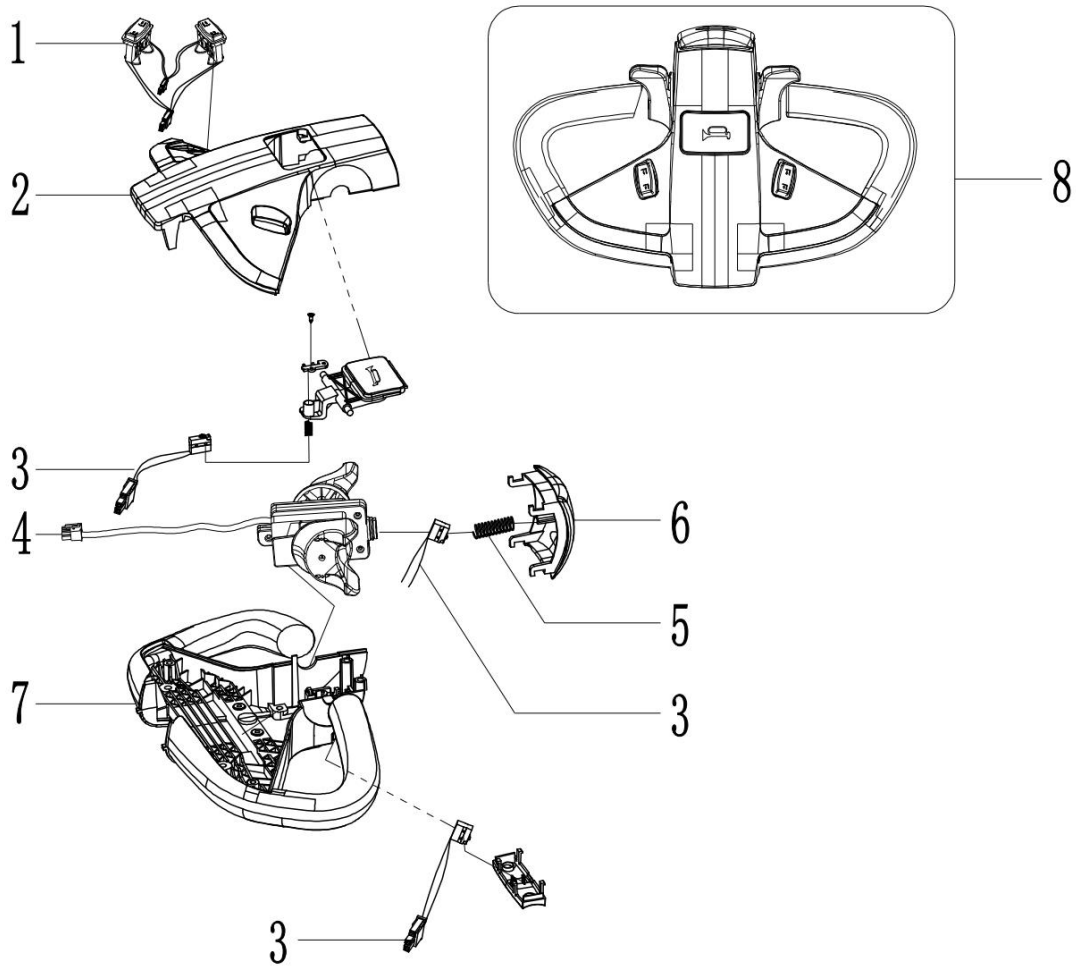


Figure 2

No.	CODE	Figure No.	Name	Qty	Remarks
1	11006000073	0502000063	Lift button	2	
	11006000075	0502000063	Side shift button	2	Side shift
2	40000000506	0502000032	Handle upper cover	1	
3	11006000062	1303000094	microswitch	3	
4	1100300000010		Accelerator assembly	1	
5	40000000507	1510000663	Compression spring	2	
6	11006000076	0502000031	Belly switch	1	
7	40000000508	0502000033	handle under cover	1	
8	11003000042	T202-4	Handle assembly	1	

Table 2-1

### 3. Transmission System

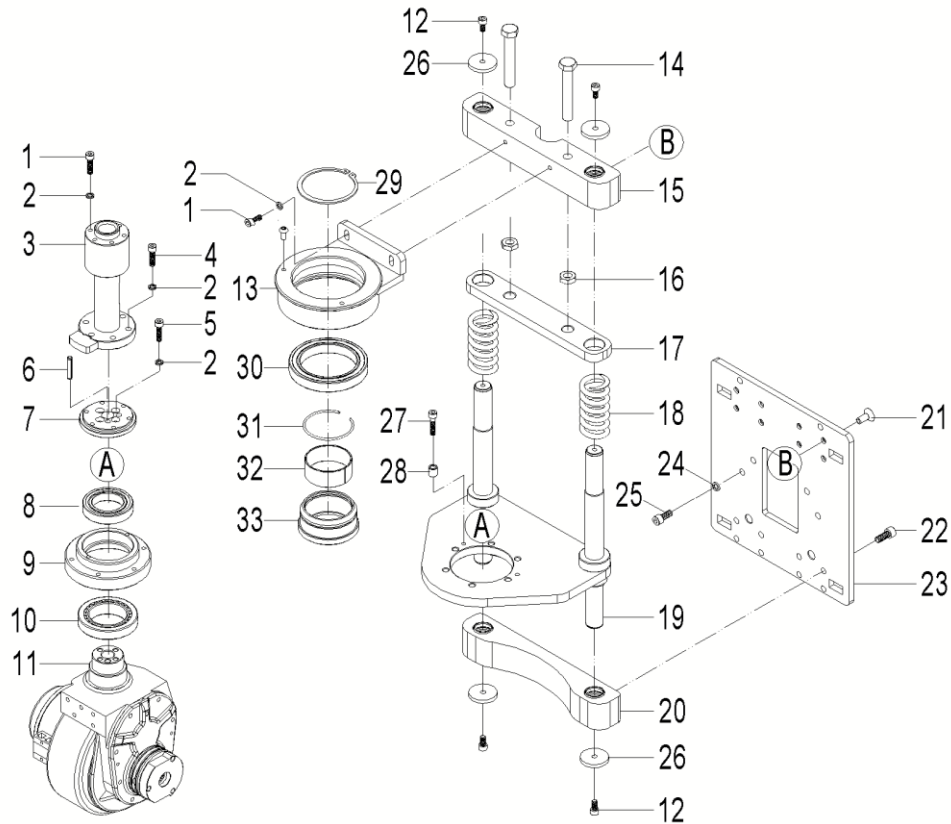


Figure 3

No.	CODE	Figure No.	Name	Qty	Remarks
1	22101600034	GB70.1	Screw M8×20	6	
2	22501200004	GB93	Spring washer 8	6	
3	8D282000004	QDB150212000	Steering shaft	1	
4	22101600035	GB70.1	Screw M8×25	6	
5	22101600036	GB70.1	Screw M8×30	6	
6	22800700022	GB879.1	Spring pin 8×40	1	
7	72002005269	QDB150210003	Connecting plate	1	
8	23000100002	GB276	Bearing 6010	1	
9	72003001213		Bearing base	1	
10	2300050000011	GB297	Bearing 32012	1	
11	71003000080	QBA15-02001	Drive wheel assembly	1	
12	22101600033	GB70.1	Hexagonal cylindrical head screw M8×16	4	
13	8D282000014	QDB150210010A	Support	1	
14	22000400050	GB5783	Hexagon head bolt M16 x 100	2	
15	72001006998	QDB150210020	Upper fixing block assembly	1	

Table 3-1

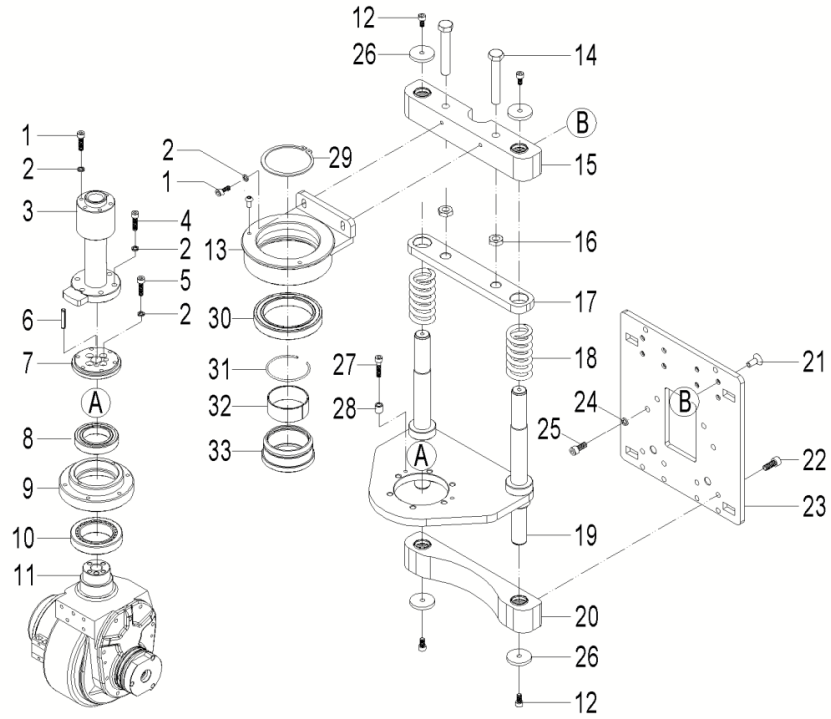


Figure 3

No.	CODE	Figure No.	Name	Qty
16	22400700005	GB6172.1	Thin hexagon nut M16	2
17	72001006999	QDB150211002	Roof plate	1
18	72009040040	QDB150211001	Floating spring	2
19	8D283000001	QDB150211000	Floating cradle	1
20	72001007000	QDB150210030	Lower fixing block assembly	1
21	22101800012	GB70.3	Hexagonal countersunk head screw M10×25	8
22	22101600045	GB70.1	Hexagonal cylindrical head screw M10×25	8
23	8D282000003	QDB150212010	Mounting plate	1
24	22501200005	GB93	Spring washer 10	6
25	22101600115	GB70.1	Hexagonal cylindrical head screw M10×30	6
26	72001000446	QBA-02006	Floating frame limit plate	4
27	22101600037	GB70.1	Hexagonal cylindrical head screw M8×35	8
28	72004001388	SP150-01013	cannula	2
29	22600900041	GB894.1	Retaining ring 90	1
30	230001000061	GB276	Bearing 61918-2Z	1
31	2260120000016	GB895.1	Hole retaining ring 75	1
32	231001000070	SF-1-7030	Bushing 70×75×30	1
33	72004001418	QDB150210004	Upper support seat	1

Table 3-1

## 4. Upper and Lower Retaining Block

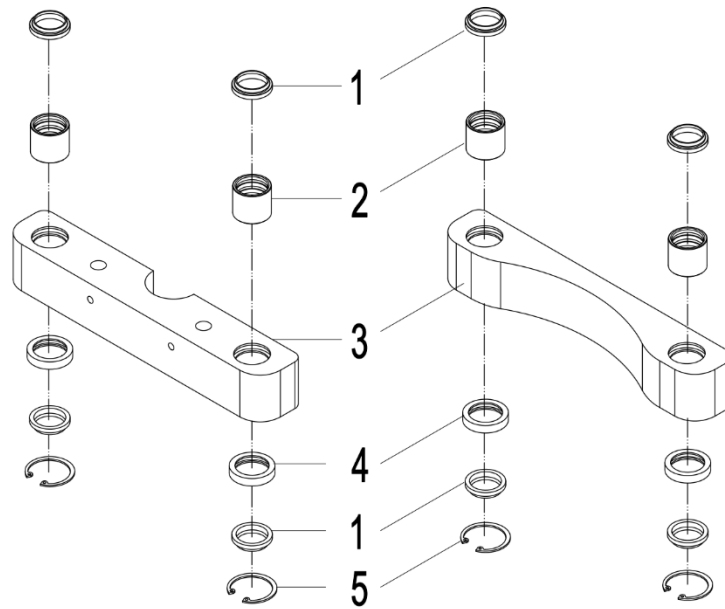


Figure 4

No.	CODE	Figure No.	Name	Qty	Remarks
1	21000300006	DHS	Dust ring 28 x 36 x 6	4	
2	7500030000035	QDA15A-02010B	Support ring	2	
3	72001007001	QDB150210021	Upper retaining block	1	
	72001007002	QDB150210031	Lower retaining block	1	
4	72004000099	QDA15A-02013	Dust ring holder	2	
5	22600700017	GB 893.1	Hole retaining ring 40	2	

Table 4-1

## 5. Balance Wheel

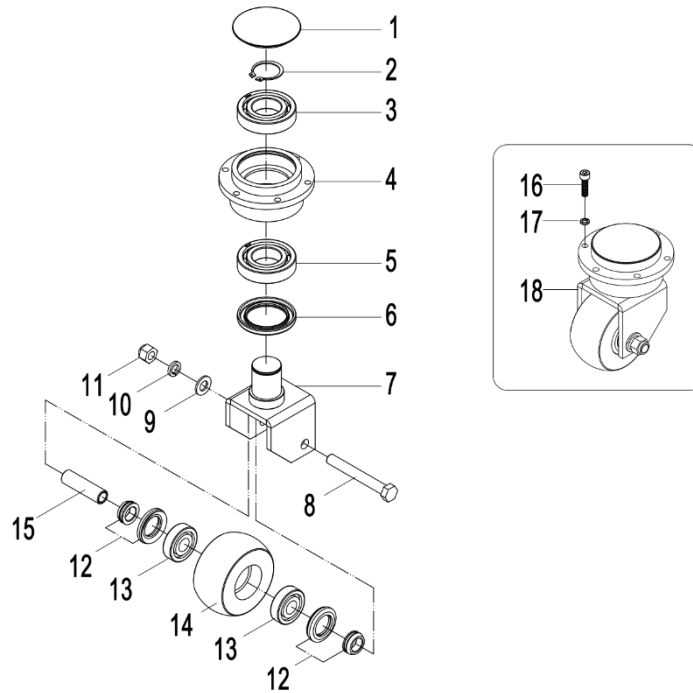


Figure 5

No.	CODE	Figure No.	Name	Qty	Remarks
1	75000300104		Capping	1	
2	22600900005		Retaining ring 40	1	
3	23000100008		Bearing 6208	1	
4	105030293		Universal wheel outer ring	1	
5	2300060000003		Bearing 7208B	1	
6	2100040000040		Lip sealing ring B55×80×8	1	
7	6600000000021		Steering wheel frame	1	
8	22000300006		Bolt M14 x 110	1	
9	22500100009		Flat pad 14	1	
10	22501200007		Spring pad 14	1	
11	22403000011		Nut M14	1	
12	75000300030		Dust ring pad	2	
13	23000100010		Bearing 6304	2	
14	7100300000103		Universal wheel	1	
15	72004000334		Tube axis	1	
16	22101600035	GB70.1	Screw M8×25	6	
17	22501200004	GB93	Spring Cushion 8	6	
18	71003000042	QBA-04050	Universal wheel assembly	1	

Table 5-1

## 6. Hydraulic System

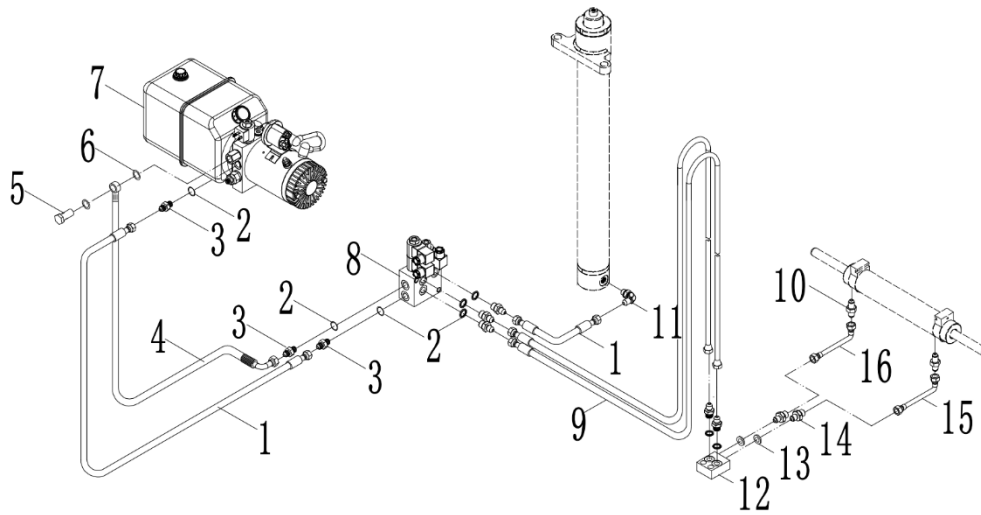


Figure 6

No.	CODE	Figure No.	Name	Qty	Remarks
1		YG-10002-850	No. 2 tubing	2	
2	21001100006	JB982	Combined washer 18	6	
3	73006000087	1QG-14-06	Connector M14× 1.5-G3/8	6	
4		BDA-00026 240509	High pressure oil pipe	1	
5	73006000019	BDA-00020	Outlet connection	1	
6	21001100003	JB982	Combined washer 16	1	
7	73002000111	QDB151200100H	Hydraulic power station	1	
8	73005000078	QDB151200200H	Solenoid valve group	1	
9	73004000516	YG-10002-4000	No. 2 tubing	2	3.0 m
	73004000517	YG-10002-4500	No. 2 tubing	2	3.5 m
	73004000518	YG-10002-4700	No. 2 tubing	2	3.7 m
10	73006000002	1QG9-14-040G	Right Angle connector G1/4- 19/M14×1.5	2	
11	73006000057	1QH9-16-140G	90° right Angle joint M16 x 1.5 -- M14 x 1.5	1	
12	73005000044	QQA-02717	Four way valve block	1	
13	21001100002	JB982	Combined washer 14	1	
14	73006000044	BDA-03021	Flaring type fittings	1	
15	73004000089	YG-10002-316	No. 2 tubing	1	
16	73004000090	YG-10002-350	No. 2 tubing	1	

Table 6-1

## 7. Oil Cylinder

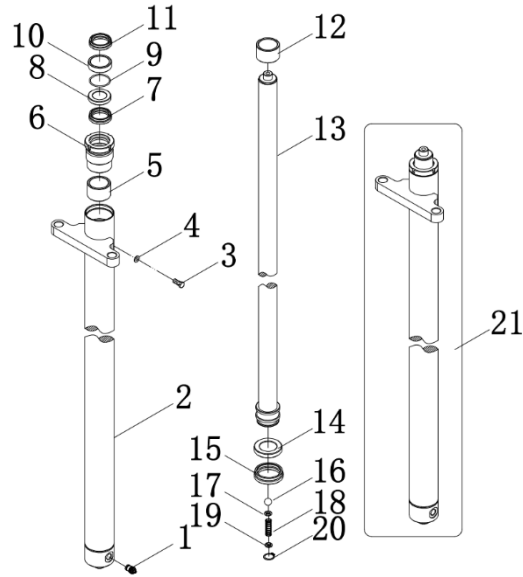


Figure 7

No.	CODE	Figure No.	Name	Qty
1	73005000009	BDA-03023	Explosion-proof valve assembly	1
2	8D112013013	BOA-1230110	3.0 m cylinder	1
	8D112013014	BOA-1235110	3.5m cylinder	1
	8D112013015	BOA-1237110	3.7 m cylinder	1
3	21001100010	JB982	Combined gasket M6	1
4	72007000057	BOA-120023	Oil plug screw M6	1
5	23100100069	SF-1-3825	Bushing	1
6	72003001282	BOA-1200103	Cylinder cover	1
7	21000400004	UHS38	Seal ring 48×38×6	1
8	72003001283	BOA-120021	Washer 48 x 38 x 1.9	1
9	21000100100	GB3452.1	O-ring d49.2×3.55	1
10	21000800016	BOA-120022	Guide belt 10 x 2.5	1
11	21000300005	DHS38	Dust ring 38 x 46 x 5/6.5	1
12	72004001414	BOA-1200104	Limited sleeve	1
13	72003001284	BOA-1230101	Live 3.0 m piston rod	1
	72003001285	BOA-1235101	Live 3.5 m piston rod	1
	72003001286	BOA-1237101	Live 3.7 m piston rod	1
14	40000000602	BOA-1200109	Guide set 50×45×14.8	1
15	72003001287	BOA-1200108	Washer 50 x 40 x 1.9	1

Table 7-1

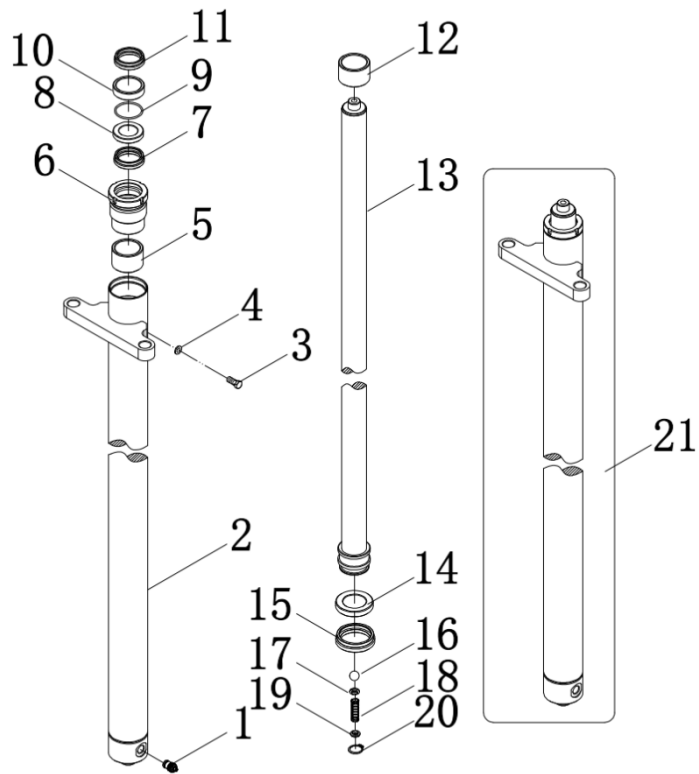


Figure 7

No.	CODE	Figure No.	Name	Qty	Remarks
16	21000400003	UHS40	Sealing ring 50×40×6	1	
17	23001800006	GB308	Steel ball 9.525	1	
18	72003001281	BOA-1200105	Steel ball seat	1	
19	72009040043	BOA-1200107	spring	1	
20	72001007205	BOA-1200106	Spring seat	1	
21	22600700012	GB893.1	Hole retainer ring 12	1	
22	73007000325	BOA-1230100	3.0 m lifting cylinder	1	
	73007000326	BOA-1235100	3.5m lifting cylinder	1	
	73007000327	BOA-1237100	3.7 m lifting cylinder	1	

Table 7-2

## 8. Instrument Panel (Key Switch)

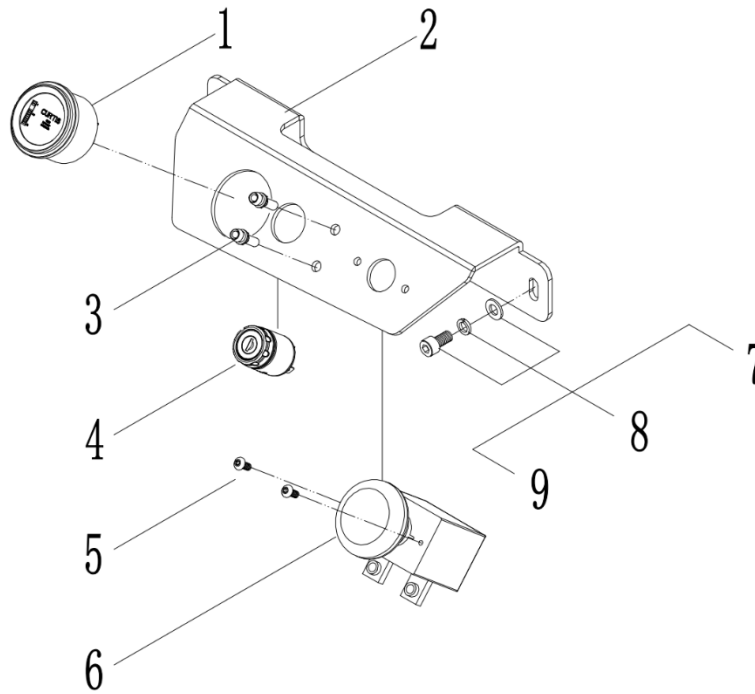


Figure 8

No.	CODE	Figure No.	Name	Qty	Remarks
1	1100500000013	QDA15EM-1350005	Meter	1	
2	72002005333	QDB151300101 240509	Instrument desk	1	
3	11000100029		Pilot lamp	2	
4	11006000002	P251340004	Key switch	1	
5	22101700001	GB70.2	Screw M5×12	2	
6	11006000020	QDA12E-1340001	Emergency power off switch	1	
7	22500100006	GB97.1	Flat washer 8	2	
8	22501200004	GB93	Standard spring washer 8	2	
9	22101600033	GB70.1	Screw M8×16	2	

Table 8-1

## 9. Frame (two-stage frame)

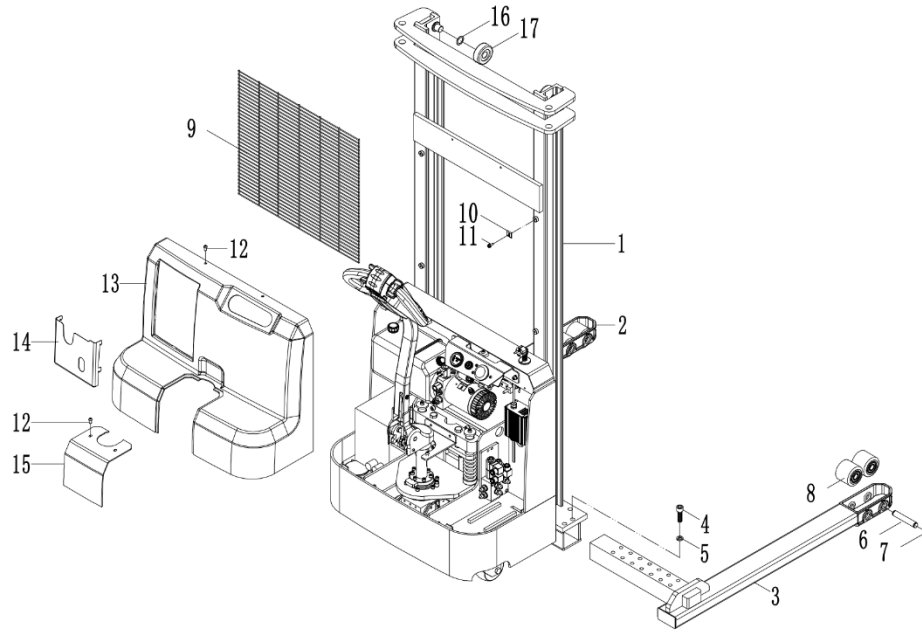


Figure 9

No.	CODE	Figure No.	Name	Qty
1	8D292000004	QDB15S0400130 240509	3.0 m mobile straddle frame	1
	8D292000005	QDB15S0400135 240509	3.5m mobile straddle frame	1
	8D292000006	QDB15S0400137 240509	3.7 m mobile straddle frame	1
2	8D242000010	QDA-ELS0400220 240509	Left leg	1
3	8D242000011	QDA-ELS0400210 240509	Right leg	1
4	22101600075	GB70.1	Screw M16 x 50	8
5	22501200008	GB93	Standard spring washer 16	8
6	72003000405	SDA-00001	Double slot shaft	4
7	22600900002	GB894.1	Retaining ring20	8
8	8D05100100007	QDA12E-00030	Fork wheel 80×70	4
9	79000500030	QDB158230101H	Grid 3.0 m	1
	79000500043	QDB158235101H	Grid 3.5 m	1
	79000500044	QDB158237101H	Grid 3.7 m	1
10	72002000191	BDA-00001	Fix plate	6
11	22000800001	GB5789	Hexagon flange bolts M6x16	6
12	22101700008	GB70.2	Hexagonal semi-round head screw M8×16	4

Table 9-1

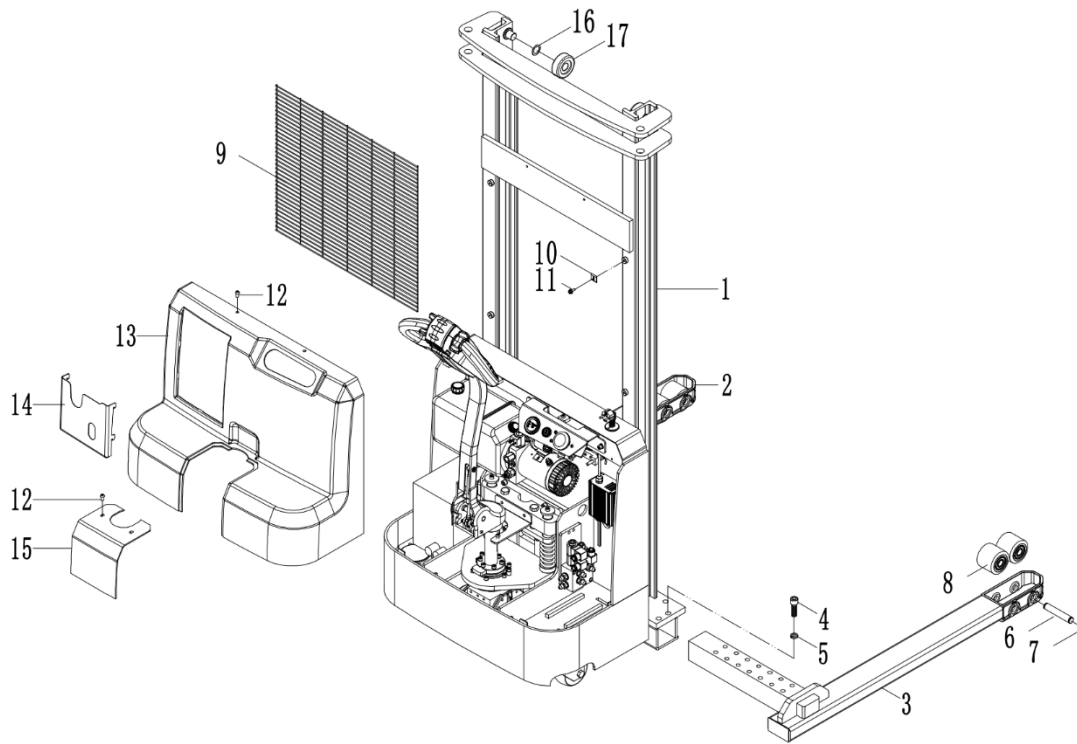


Figure 9

No.	CODE	Figure No.	Name	Qty	Remarks
13	75000100119	QDB150901100	Rear housing 1 (yellow RAL1037)	1	
	75000100124	QDB150901100	Rear Housing 1 (green RAL6018)	1	
14	72002005271	QDB150903000	Folder (yellow RAL1037)	1	
	72002005327	QDB150903000	Folder (green RAL6018)	1	
15	75000100120	QDB150901200	Rear housing II (yellow RAL1037)	1	
	75000100125	QDB150901200	Rear housing II (green RAL6018)	1	
16	72004000107	QDA-05018	Door frame roller gasket	12	
17	71004000008	QDA-05017-78	roller	12	

Table 9-2

## 10. Internal Mast

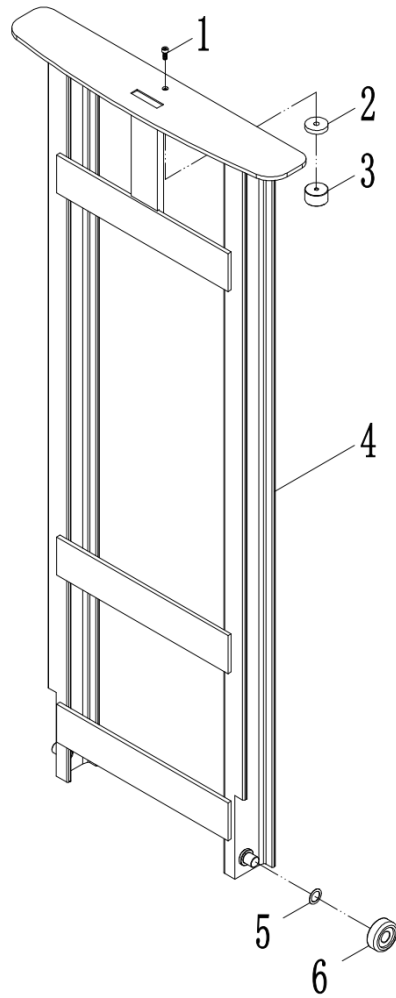


Figure 10

No.	CODE	Figure No.	Name	Qty	Remarks
1	22101600034	GB70.1	Hexagonal cylindrical head screw M8×20	1	
2	75000100026	BOA-05903	Rubber pad	1	
3	72003000125	BOA-05904	gasket	1	
4	8D102006054	QPA13028230200	Internal mast 3.0 m	1	
	8D102006055	QPA13028235200	Internal mast 3.5 m	1	
	8D102006049	QPA13028237200	Internal mast 3.7m	1	
5	30160000067	QDA-05018	Mast roller gasket	4	
6	71004000014	QDA-05017	roller	4	

Table 10-1

## 11. Sprocket Wheel Assembly

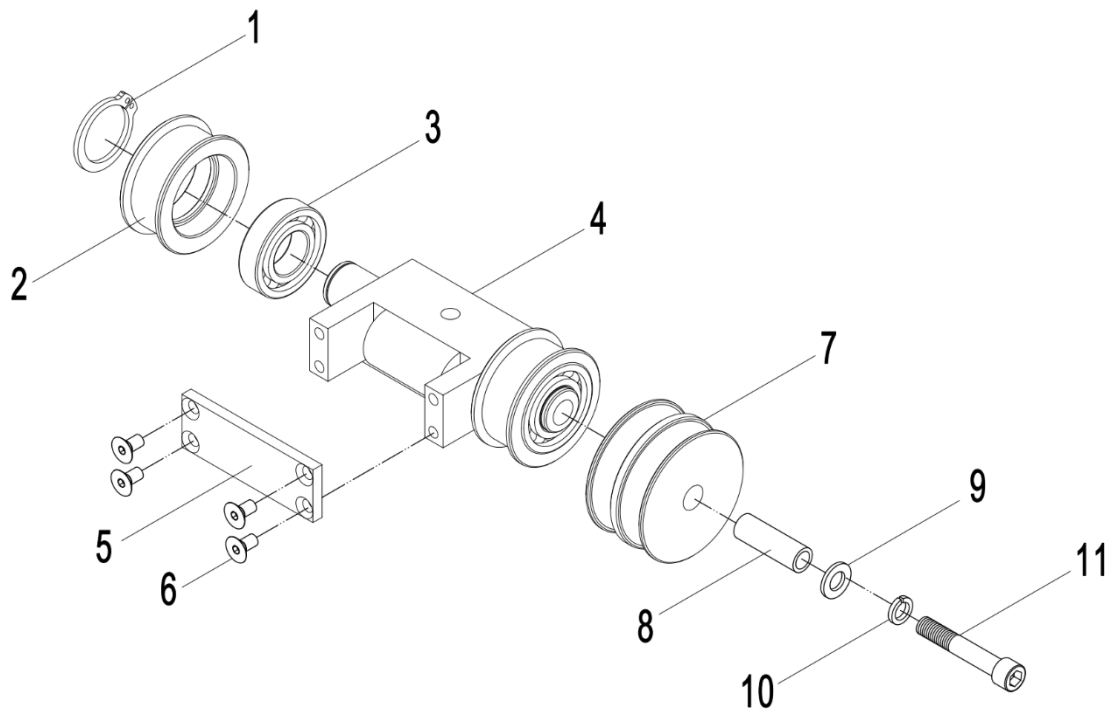


Figure 11

No.	CODE	Figure No.	Name	Qty	Remarks
1	22600900008	GB894.1	Retaining ring 30	2	
2	72004000031	BOA-05902	Sprocket 80 x 35	2	
3	23000100017	GB276	Bearing 6006	4	
4	8D112017001	BOA-05910	Sprocket shaft	1	
5	72001000676	BOA-05901	Clamp plate	1	
6	22101800009	GB70.3	Screw M8×16	4	
7	75000300013	QQA-02505	Nylon wheel (double)	1	tilt
8	72004000131	QQA-02053B	Nylon wheel sleeve (double)	1	tilt
9	22500500002	GB96.1	Large washer 12	1	tilt
10	22501200006	GB93	Spring pad 12	1	tilt
11	22101600089	GB70.1	Screw M12×70	1	tilt

Table 11-1

## 12. Chain



Figure 12

No.	CODE	Figure No.	Name	Qty	Remarks
1	22400600003	GB6176	Hexagon nut M16 x 1.5	4	
2	72007000012	BDA-03039	Chain head	1	
3	22801600003	GB91	Cotter pin 2.5×25	2	
4	22801600002	GB91	Cotter pin 2 x 16	2	
5	22801700002	GB882	Pin type B B5×35	2	
6	71004200035		3.0 m chain LH0846 133 knots	1	
	71004200006		3.5m chain LH0846 153 knots	1	
	23200300066		3.7 m chain LH0846 161 knots	1	
7	72007000013	BDA-03041	Chain head	1	

Table 12-1

### 13. Forging Fork

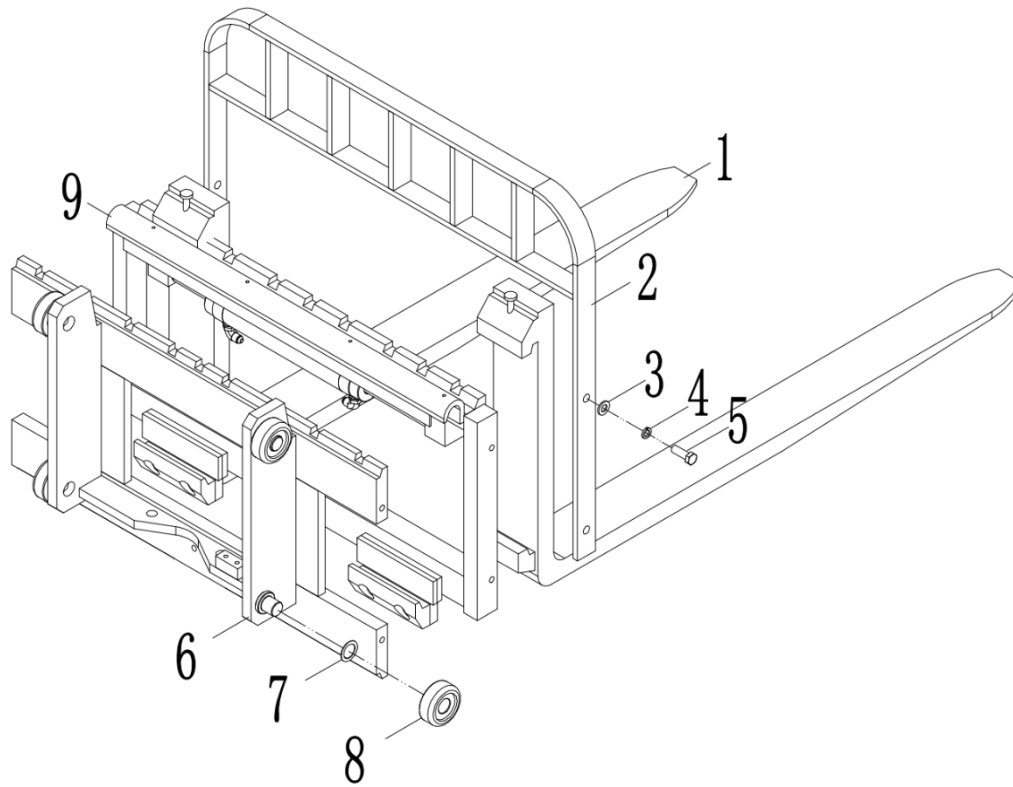


Figure 13

No.	CODE	Figure No.	Name	Qty	Remarks
1	72003000614	P15S8901150	Fork assembly 35×100×1150	2	
2	8D102006052	QPA13028280020	Rack 815	1	
3	22500200009	GB95	Flat pad 12	4	
4	22501200006	GB93	Spring pad 12	4	
5	22000400004	GB5783	Hexagon head bolt M12×25	4	
6	8D292000003	QDB15S829100 240509	Forging lift platform	1	
7	30160000067	QDA-05018	Roller gasket	4	
8	71004000014	QDA-05017	Roller	4	
9	73008000006	BOA-05810	Side shifter 815	1	

Table 13-1

## 14. Power System (Lithium Battery)

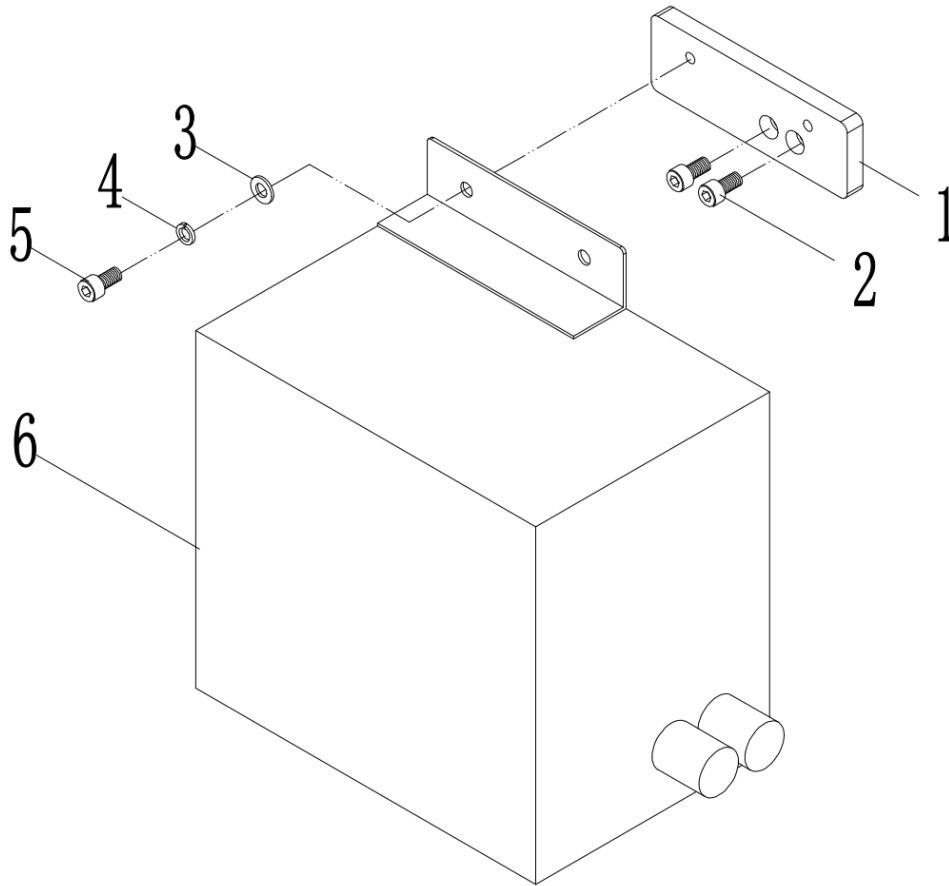


Figure 14

No.	CODE	Figure No.	Name	Qty	Remarks
1	72001007204	QDA1502E010400 0	Lithium battery mounting board	1	
2	22101600032	GB70.1	Hexagonal cylindrical head screw M8×12	2	
3	22500100006	GB97.1	Flat washer 8	2	
4	22501200004	GB93	Standard spring washer 8	2	
5	22101600032	GB70.1	Hexagonal cylindrical head screw M8×12	2	
6	11009000105	QDA1502EM1380 210	Lithium battery 24V/50Ah	1	

Table 14-1

## 15. Electrical Parts

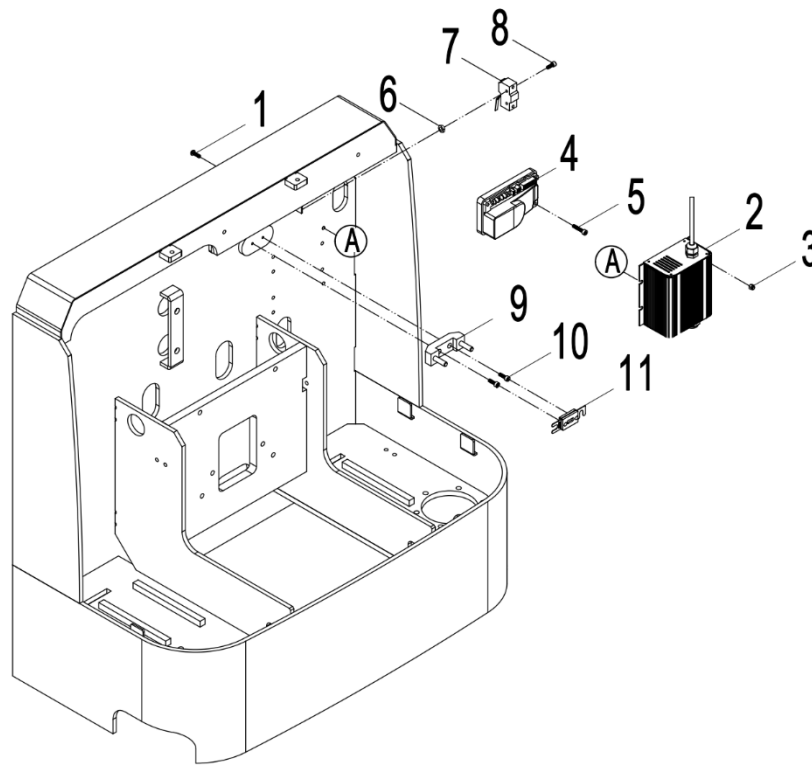


Figure 15

No.	CODE	Figure No.	Name	Qty	Remarks
1	22101700029	GB70.2	Hexagonal half-round head screw M5×20	4	
2	11009100038	QDA15EM-1350008	Built-in charger 24V/20A(lithium battery)	1	
3	22403000003	GB889.1	Hex socket lock nut M5	4	
4	11007000030	DQJ130201004	Dc brushed electric controller D2P	1	
	1100700000032	QBA15-1310001	Electric controller 1212P	1	
5	22101600020	GB70.1	Hexagonal cylindrical head screw M5×25	2	
6	22403000002	GB889.1	Hexagon socket lock nut M4	2	
7	11006000021	QBA15-1340003	microswitch	1	
8	22101600014	GB70.1	Hexagonal cylindrical head screw M4x25	2	
9	15000900012	QBA15-1350007	Fuse holder	1	
10	22101600018	GB70.1	Hexagonal cylindrical head screw M5×16	2	
11	15000900011	QBA15-1350003	Fuse holder	1	

Table 15-1