

# Parts Manual

## Semi-Manual Walkie Pallet Stacker

### EA15A



# 1. Handle system

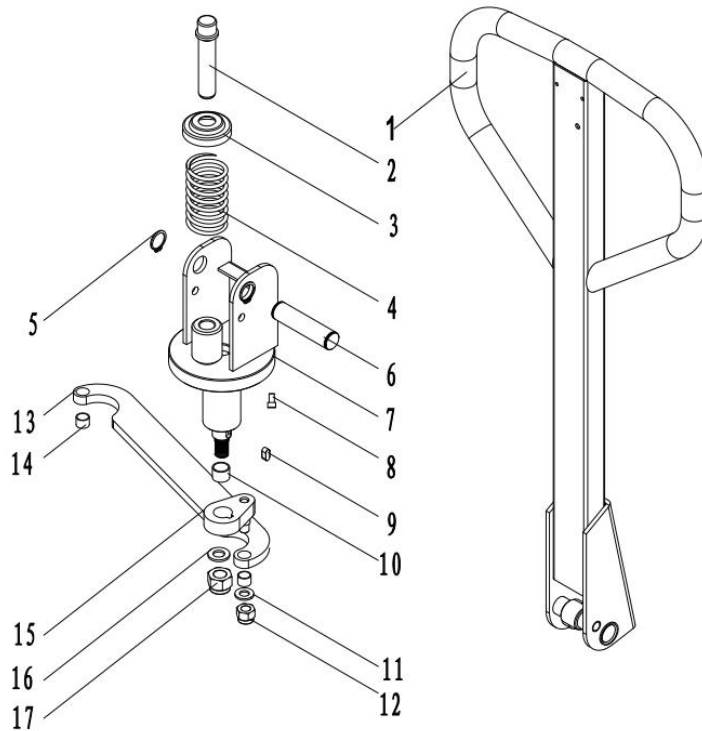


Figure 1

No.	CODE	Figure No.	Name	Qty	Remarks
1	79000200006	BDA-01020A	controller	1	
2	72003000102	BDA-01017	Spring core	1	
3	72002000346	SBA-03002	spring cap	1	
4	72009040001	SBA-03003	spring	1	
5	22600900002	GB894.1	Retaining ring 20	2	
6	72003000101	BDA-00006	Pin shaft 20 x 81	1	
7	8D032002001	BDA-01009A	Turntable	1	
8	22000400031	GB5783	Screw M12×20	1	
9	22900100007	GB1096	Flat key Type A 6 x 6 x 14	1	
10	23100100019	SF-1-2525	Composite bushing	2	
11	22500200004	GB95	Flat washer 10	1	
12	22403200002	GB6182	Nut M10	1	
13	8D035005001	BDA-04043	Steering plate	1	
14	23100100003	SF-1-1210	Composite bushing	2	
15	72006000104	BDA-04041	Steering shaft plate	1	
16	22500200006	GB95	Plain washer 16	1	
17	22403200003	GB6182	Nut M16	1	

Table 1-1

## 2. Hydraulic system

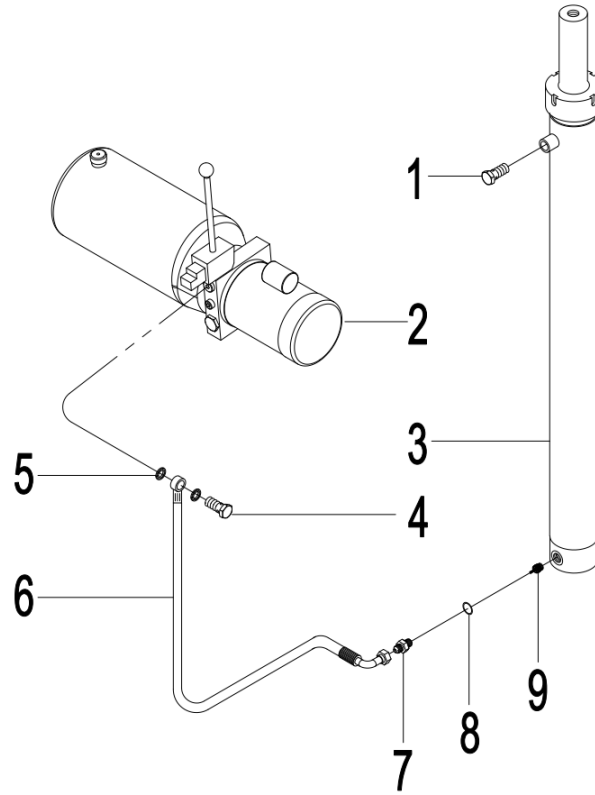


Figure2

No.	CODE	Figure No.	Name	Qty	Remarks
1	730060000081	BDA-03033	suppressor	1	
2	73002000002	BDA-03050	Hydraulic power station	1	
	73002000012	BDA-03051	Hydraulic power station	1	
3	73007000092	BDA-13030	Cylinder 3.0 m	1	
	73007000094	BDA-13035	Cylinder 3.5 m	1	
4	73006000019	BDA-00020	Outlet connection	1	
5	21001100003	JB982	Combined pad 16	2	
6	73004000059	BDA-00026	High pressure oil pipe	1	
7	73006000044	BDA-03021	Flaring type pipe joint body	1	
8	21001100002	JB982	Combined pad 14	1	
9	73005000009	BDA-03023	Explosion-proof valve assembly	1	

Table2-1

### 3. Hydraulic system cylinder

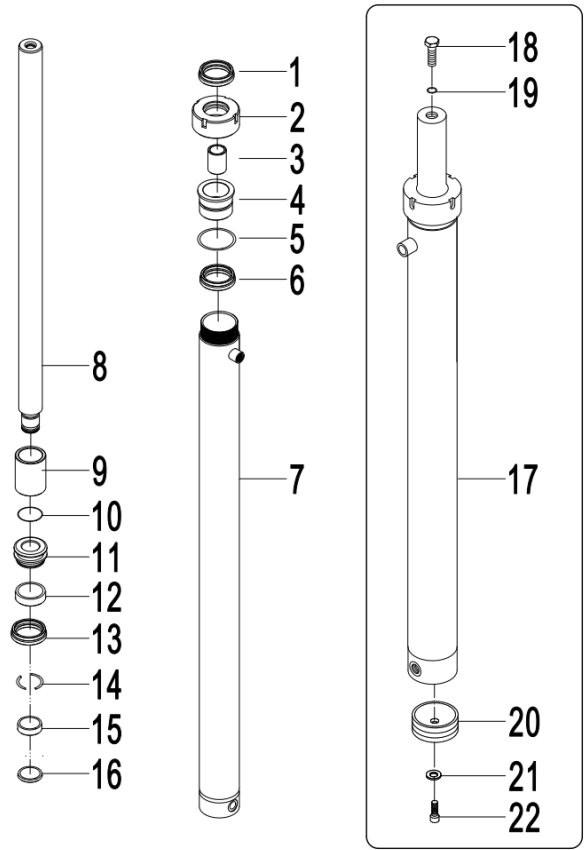
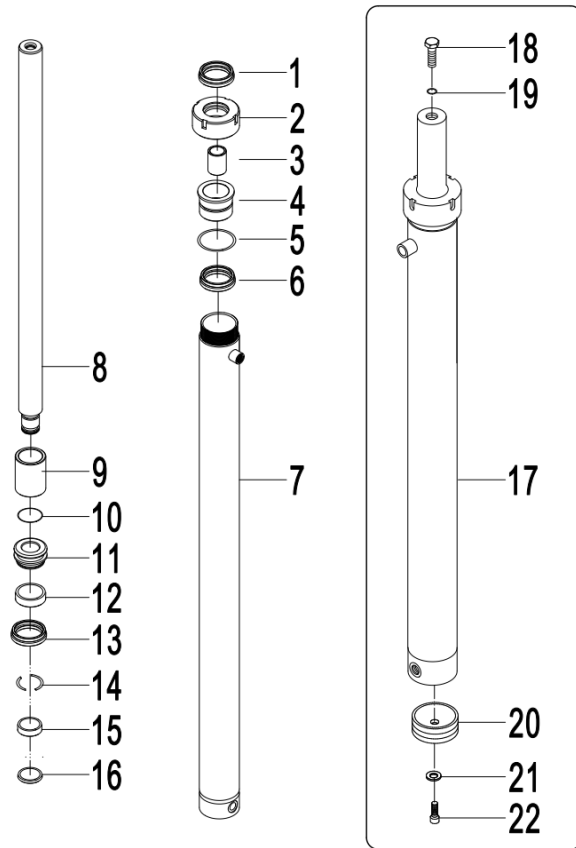


Figure3

No.	CODE	Figure No.	Name	Qty	Remarks
1	21000300004	DHS40	DH type dust ring 40 x 48 x 5 x 6.5	1	
2	72004000032	BDA-03003	Top cap	1	
3	23100100027	SF-1-4030	Composite bushing 40×44×30	1	
4	72004000046	BDA-03004	Sliding sleeve	1	
5	21000100002	GB3452.1	O-ring 50×3.55	1	
6	21000400003	UHS40	UHS sealing ring 40×50×6	1	
7	8D032008005	BDA-13130	Cylinder welded 3 m	1	
	8D032008007	BDA-13135	Cylinder welded 3.5 m	1	
8	72003000255	BDA-13330	Piston rod 3 m	1	
	72003000257	BDA-13335	Piston rod 3.5 m	1	
9	72004000033	BDA-03011	Bush 51 x 40.2 x 57	3	
10	21000100003	GB3452.1	O-ring 23.6×3.55	1	

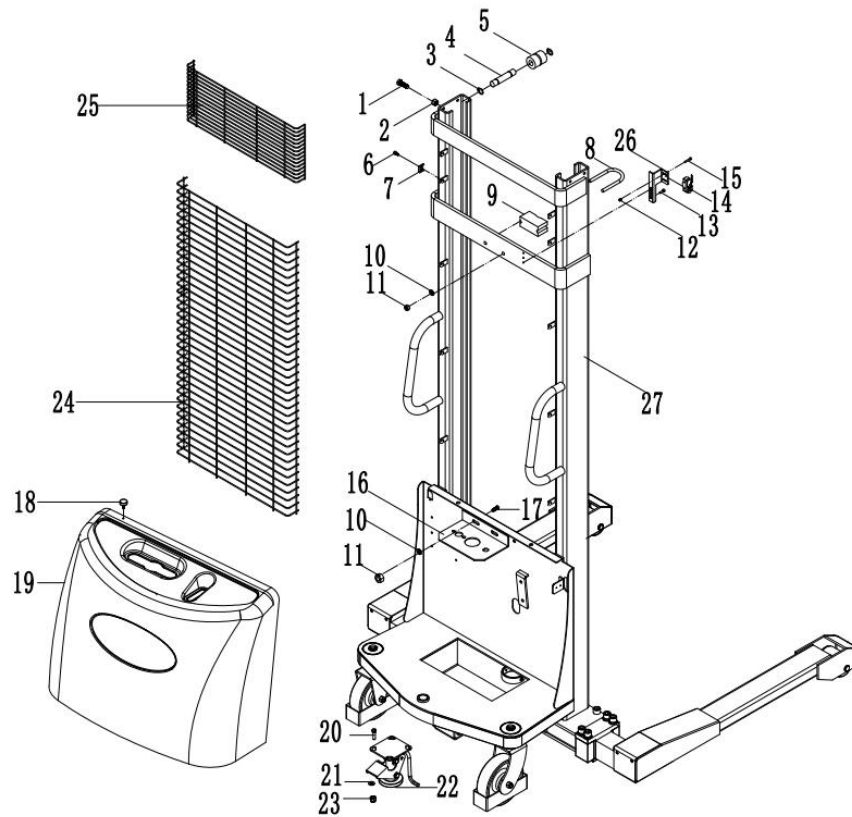
Table3-1



No.	CODE	Figure No.	Name	Qty	Remarks
11	72004000035	BDA-03013	piston	1	
12	21000800002	BDA-03014	Guide ring for holes	1	
13	21000400001	UHS45	UHS sealing ring 45×56×7	1	
14	72004000036	BDA-03016	Half ring 37×6	2	
15	72004000037	BDA-03017	Half ring sleeve	1	
16	22600900008	GB894.1	Retaining ring 30	1	
17	73007000092	BDA-13030	Cylinder 3.0 m	1	
	73007000094	BDA-13035	Cylinder 3.5 m	1	
18	22501200008	GB93	Spring pad 16	1	
19	22101600079	GB70.1	Screw M16×70	1	
20	72003000107	BDA-00018	Cylinder cushion block	1	
21	22500200004	GB95	Flat washer 10	1	
22	22000400020	GB5783	Bolts 10 x 25	1	

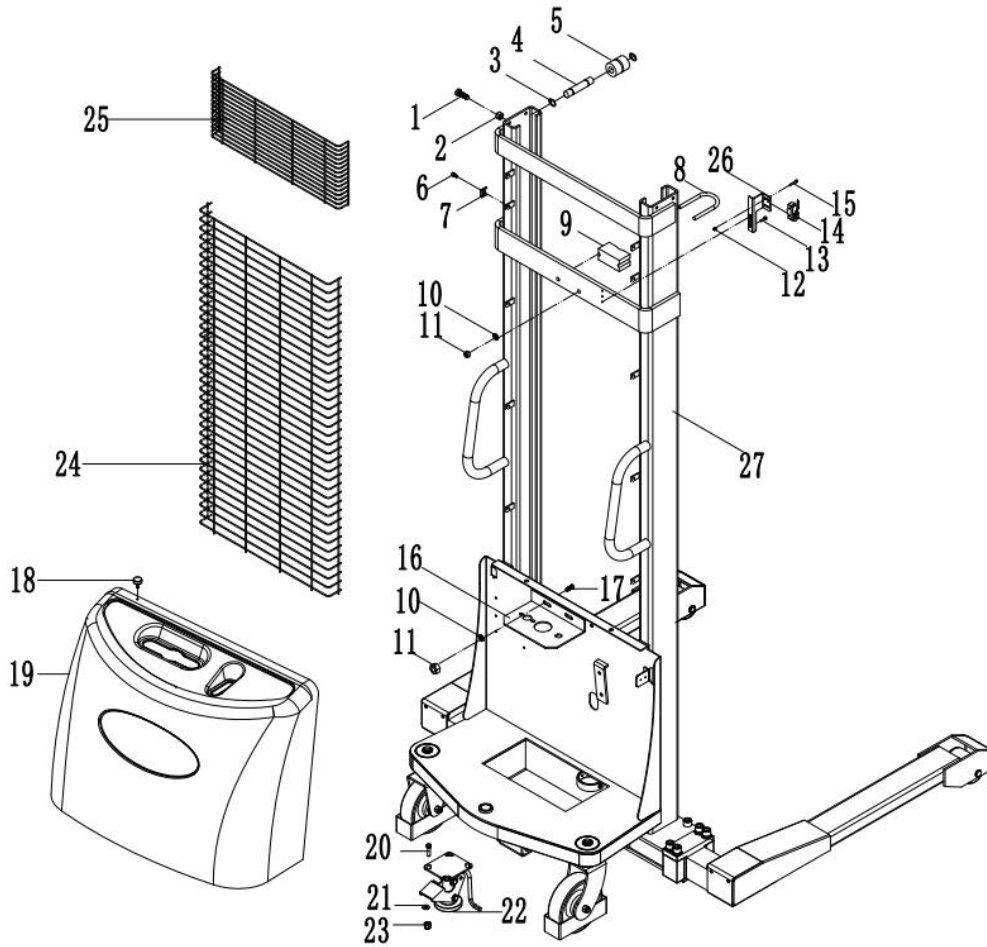
Table3-2

## 4. Gantry system



No.	CODE	Figure No.	Name	Qty	Remarks
1	22101600048	GB70.1	Screw M10 x 50	4	
2	22405600004	GB41	Nut M10	4	
3	22600900002	GB894.1	Shaft stop 20	8	Figure4
4	72003000404	QDA15EM8200001	Side roller axle 20×97	2	
5	71003000037	BDA-00030	Side roller 43 x 25	4	
6	22101600087	GB70.1	Screw M6x16	4	
7	72002000191	BDA-00001	Fixed climb	4	
8	72007000016	BDA-00003	Cylinder cling	1	
9	75000100024	BDA-00034B	Rubber pad	1	
10	22500200004	GB95	Flat washer 10	4	
11	22403000008	GB889.1	Nut M10	4	
12	22403000006	GB889.1	Nut M8	2	
13	22101600018	GB70.1	Hexagonal cylinder M5×16	2	
14	11006000021	QBA15-1340003	microswitch	1	

Table4-1



No.	CODE	Figure No.	Name	Qty	Remarks
15	22101600014	GB70.1	Hexagonal cylinder M4×25	2	
16	8D035006001	BDA-04003	Instrument desk	1	
17	22000400020	GB5783	Bolt M10 x 25	2	
18	72008000001	P250400002A	Knurled screws 8 x 18	2	
19	75000400007	BDA-00028C	Rear cowl	1	
20	22000400025	GB5783	Bolt M8 x 25	4	
21	22500200007	GB95	Flat washer 8	4	
22	71001200003	BDA-00029	brake	1	
23	22403000006	GB889.1	Nut M8	4	
24	79000500009	BDA-00004-224	grid	1	
25	79000500009	BDA-00004-1008	grid	1	
26	72002005311		Height limit switch bracket	1	
27	8D042003016	BDA-S -14130	Frame welding 3.0	1	
	8D042003017	BDA-S -14135	Frame welding 3.5	1	

Table4-2

## 5. Internal gantry system

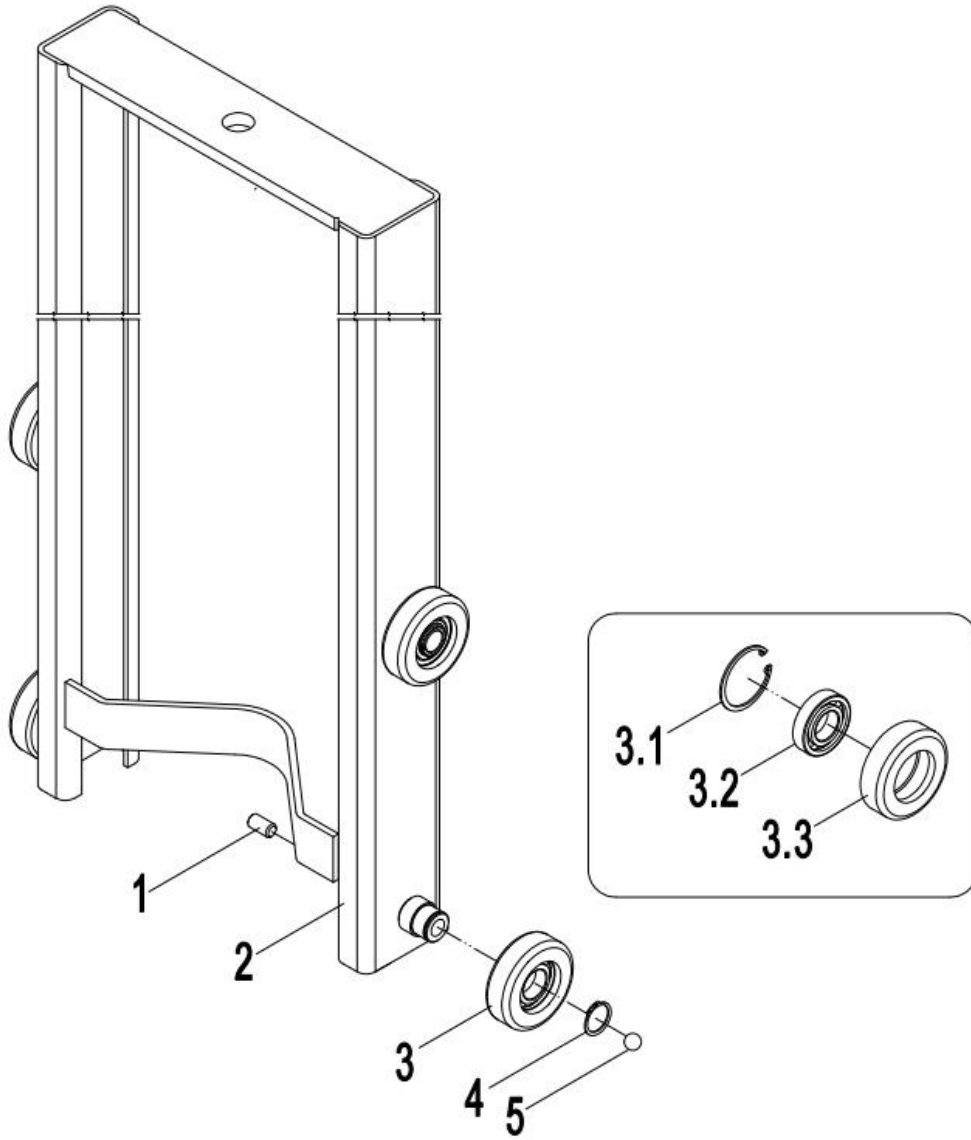


Figure5

No.	CODE	Figure No.	Name	Qty	Remarks
1	22102600027	GB77	Screw M16×30	2	
2	8D032003016	BDA-06130	Inner frame 3.0 m	1	
3	8D031011001	BDA-06010	Pulley assembly 106	4	
3.1	22600700004	GB893.1	Hole retaining ring 72	1	
3.2	23000100005	GB276	Bearing 6207	1	
3.3	71004000004	BDA-06007	pulley	1	
4	22600900007	GB894.1	Retaining ring 35	4	
5	23001800010	GB308	Steel ball Φ19.05	2	

Table5-11



## 6. Sprocket shaft assembly

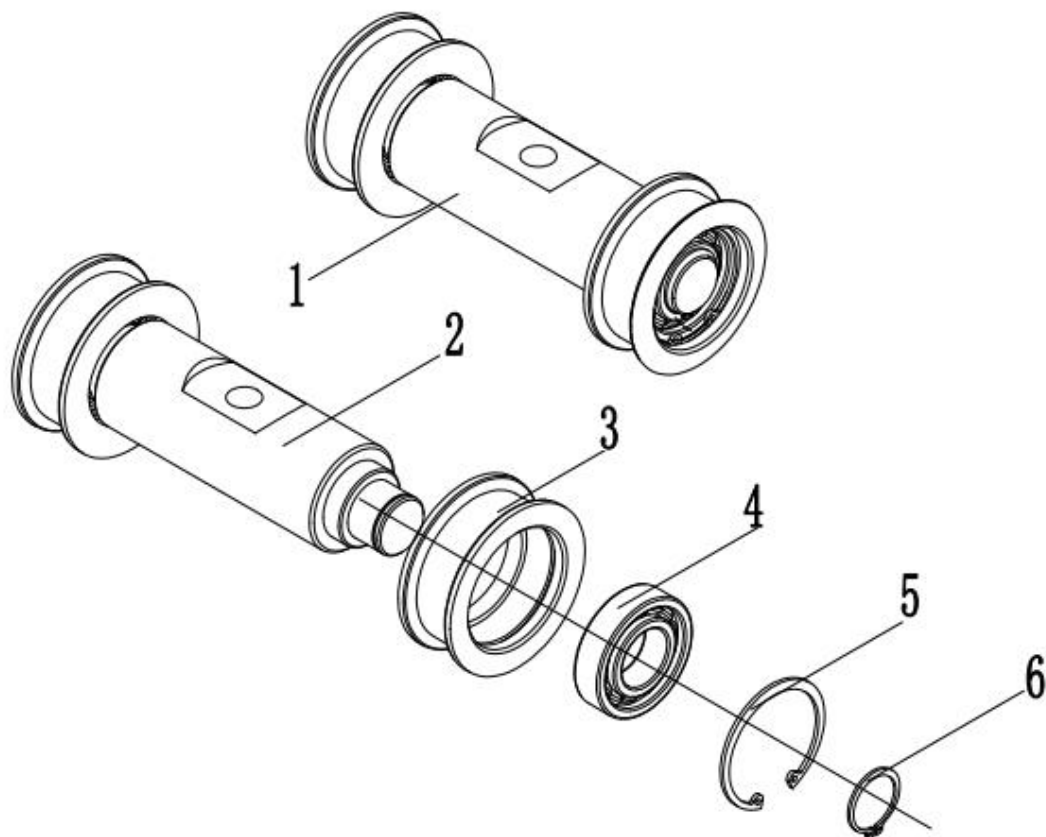


Figure 6

No.	CODE	Figure No.	Name	Qty	Remarks
1	8D034003003	BDA-03030	Sprocket assembly	1	
2	72003000108	BDA-03031	Sprocket shaft	1	
3	71004100002	BDA-03032	Sprocket wheel	2	
4	23000100006	GB276	Bearing 6206	2	
5	22600700019	GB894.1	Hole retaining ring 62	2	
6	22600900008	GB894.1	Retaining ring 30	2	

Table6-1

## 7. Universal wheel assembly

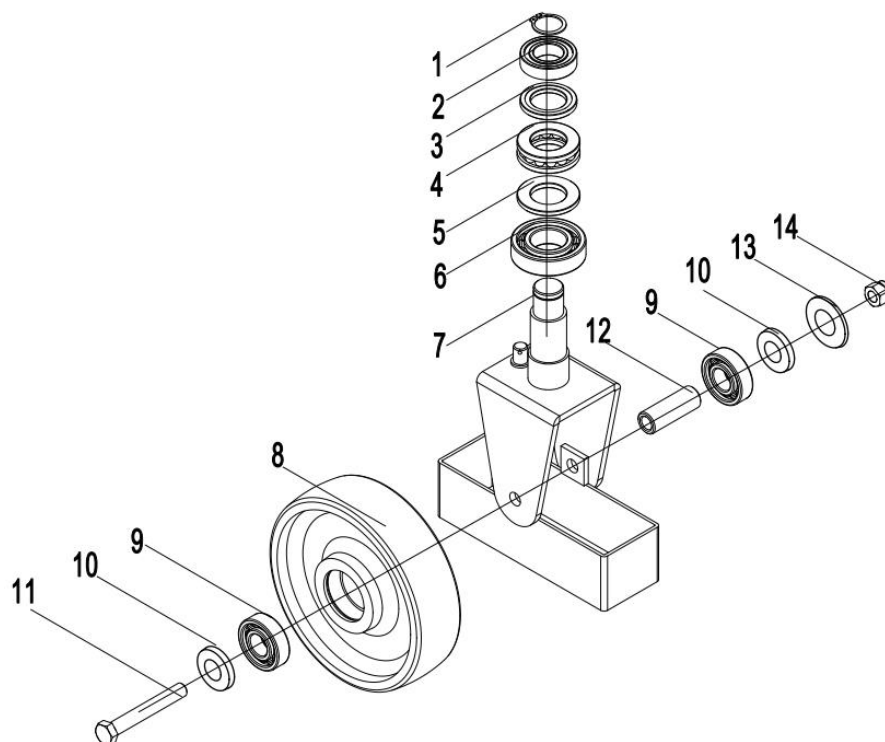


Figure 7

No.	CODE	Figure No.	Name	Qty	Remarks
1	22600900004	GB894.1	Retaining ring 25	2	
2	23000100007	GB276	Bearing 6005	1	
3	72004000028	BDA-04022	Gasket 52×5	1	
4	23000800007	GB301	Bearing 51206	1	
5	10206087	BDA-04023	Gasket 47×5	1	
6	2300010000048	GB276	Bearing 6206	1	
7	8D032002002	BDA-04036	Universal wheel assembly	1	
8	71003000016	SBA-00061A	White nylon wheel 180×50	1	
	71003000017	SBA-00061A	Black nylon wheel 180×50	1	
9	23000100001	GB276	Bearing 6204	2	
10	72004000022	BDA-04030	bushing	2	
11	22000300017	GB5782	Bolt M12 x 95	1	
12	72004000021	BDA-04031	Liner 20×55	1	
13	22500200002	GB95	Flat pad 12	1	
14	22403200001	GB6182	Nut M12	1	

Table7-1

## 8. Balance Wheel

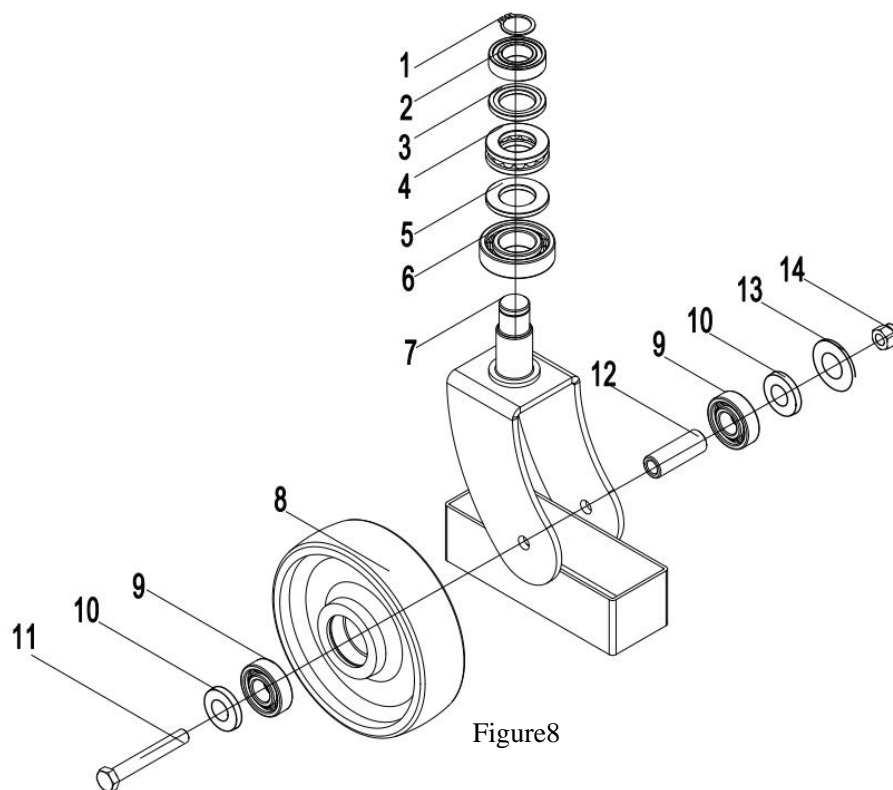
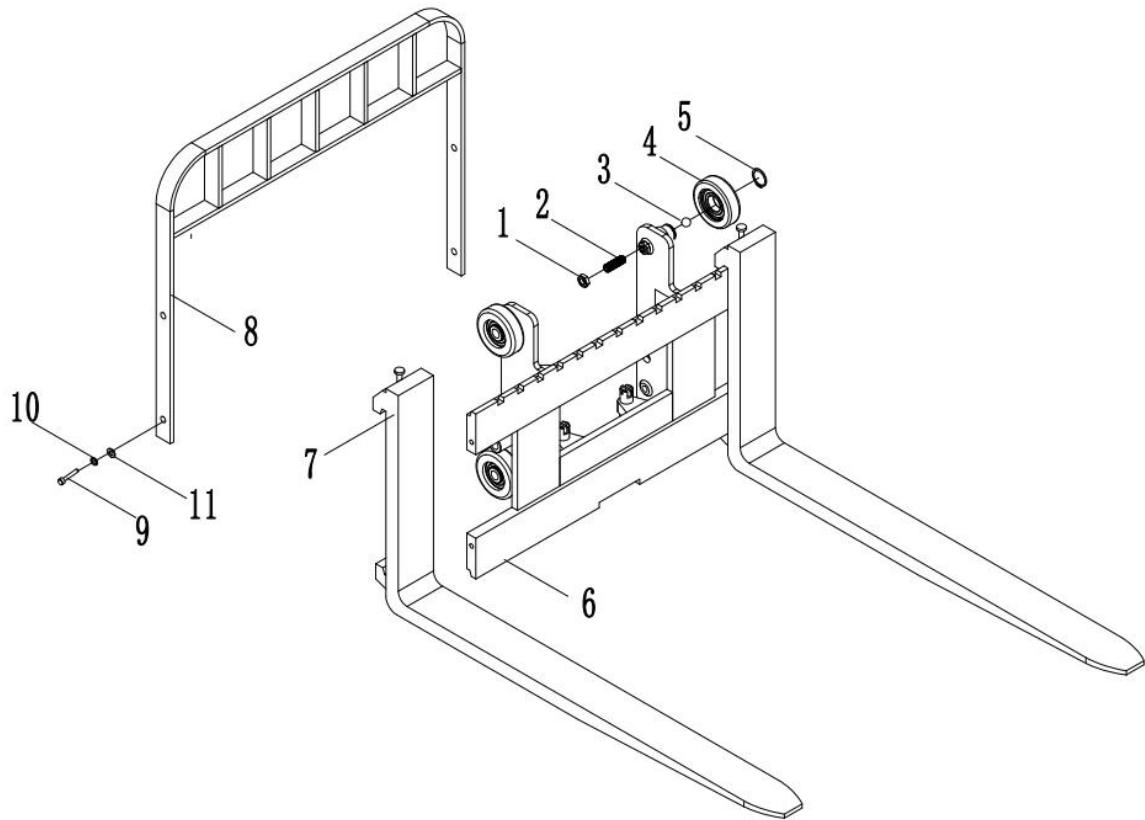


Figure8

No.	CODE	Figure No.	Name	Qty	Remarks
1	22600900004	GB894.1	Retaining ring 25	2	
2	23000100007	GB276	Bearing 6005	1	
3	72004000028	BDA-04022	Gasket 52×5	1	
4	23000800007	GB301	Bearing 51206	1	
5	10206087	BDA-04023	Gasket 47×5	1	
6	2300010000048	GB276	Bearing 6206	1	
7	8D035010001	BDA-04025	Steering wheel frame assembly	1	
8	71003000016	SBA-00061A	White nylon wheel 180×50	1	
	71003000017	SBA-00061A	Black nylon wheel 180×50	1	
9	23000100001	GB276	Bearing 6204	2	
10	72004000022	BDA-04030	bushing	2	
11	22000300017	GB5782	Bolt M12 x 95	1	
12	72004000021	BDA-04031	Liner 20×55	1	
13	22500200002	GB95	Flat pad 12	1	
14	22403200001	GB6182	Nut M12	1	

Table8-1

## 9. Forging fork



No.	CODE	Figure No.	Name	Qty	Remarks
1	22400700002	GB6172.1	Nut M10	4	
2	22102600014	GB77	Screw M16 x 50	4	
3	23001800010	GB308	Steel ball $\phi 19.05$	4	
4	8D031011001	BDA-06010	Pulley assembly 106	4	
5	22600900007	GB894.1	Retaining ring 35	4	
6	8D062000011	QDA12ES-07120	Double forging lift platform	1	
7	P15S8901150	P15S8901150	Forging fork 1150	1	
8	8D102006052	QPA13028280020	Rack 815	1	
9	22000400004	GB5783	Hexagon head bolt M12 $\times$ 25	4	
10	22501200006	GB93	Spring washer 12	4	
11	22500100008	GB97.1	Flat washer 12	4	

Figure9

Table9-1

## 10. Straddle Leg

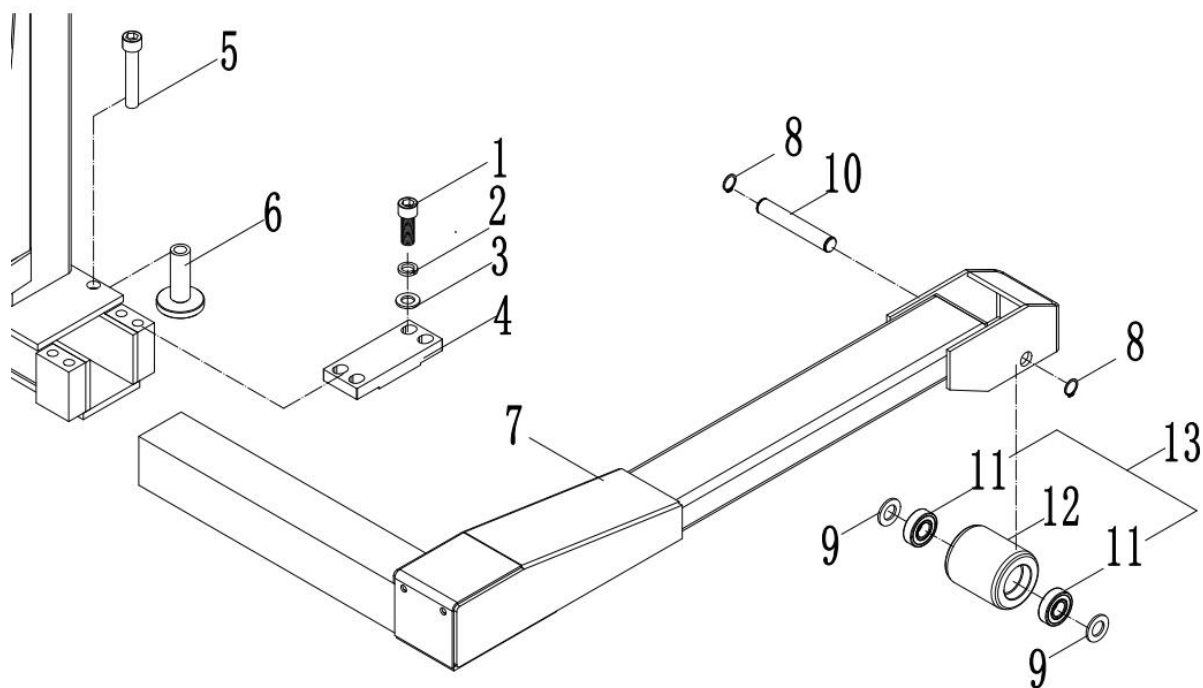


Figure10

No.	CODE	Figure No.	Name	Qty	Remarks
1	22101600088	GB70.1	Screw M16×45	4	
2	22501200008	GB93	Spring pad 16	4	
3	22500400002	GB848	Washer 16	4	
4	72001000992	BDA-S-04001	Clamp plate	1	
5	22101600080	GB70.1	Screw M16×80	1	
6	72005000167	BDA-S-04002	Standing leg	1	
7	8D042002002	BDA-S-04220	Right leg	1	
	8D042002002	BDA-S-04220	Left leg	1	
8	22600900002	GB894.1	Shaft stop 20	2	
9	22500200005	GB95	Flat pad 20	2	
10	72003000082	BDA-00017	Pin shaft Φ20 x 123	1	
11	23000100001	GB276	Bearing 6204	2	
12	8B011010004	SBA-00015A	White nylon wheel Φ80×93	1	
	8B011010005	SBA-00015B	Black nylon wheel Φ80×93	1	
	8B011010006	SBA-00015C	Red PU wheel Φ80×93	1	
13	8B011010004	SBA-00015A	White nylon wheel Φ80×93	1	
	8B011010005	SBA-00015B	Black nylon wheel Φ80×93	1	
	8B011010006	SBA-00015C	Red PU wheel Φ80×93	1	

Table10-1

## 11. Electrical System

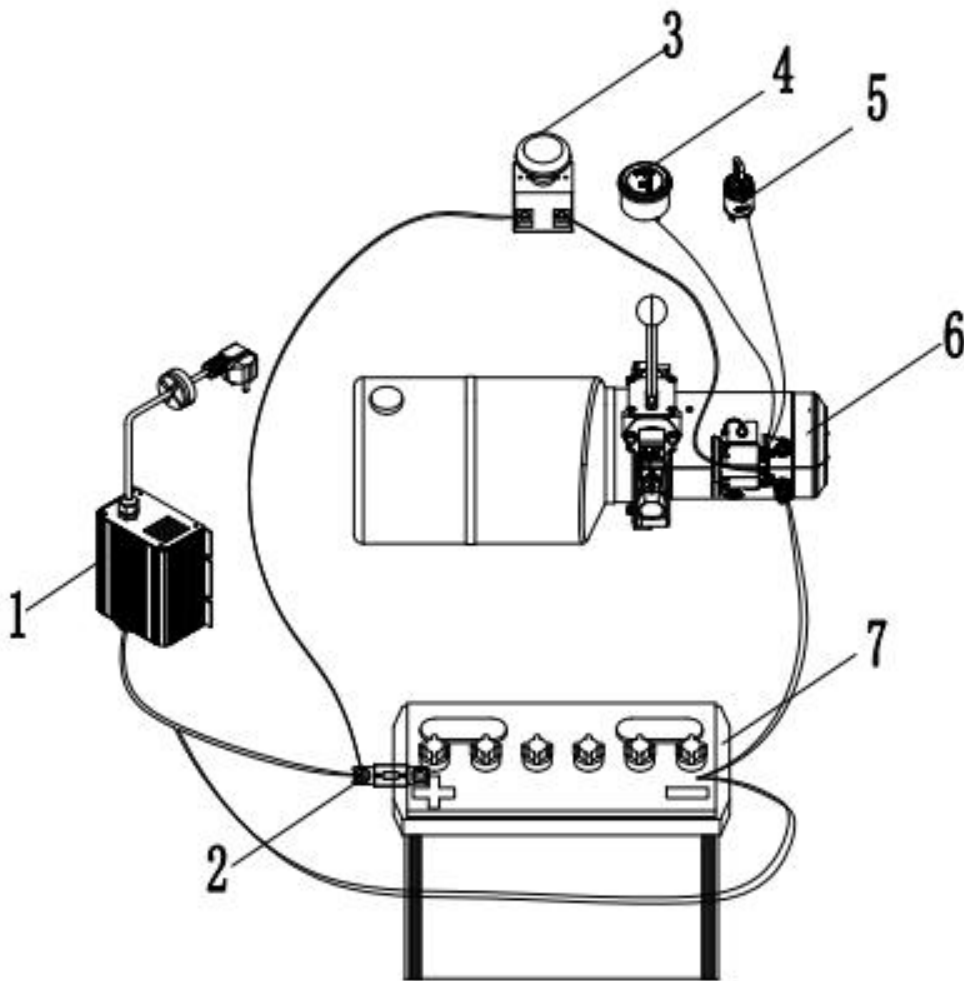


Figure11

No.	CODE	Figure No.	Name	Qty	Remarks
1	11009100011	BDA-08021	Built-in charger 12V15A	1	
2	15000900019	QBA15-1350005	fuse 200A	1	
3	11006000023	QBA15-1340002	Emergency stop button LAY40-A (Ø22mm)	1	
4	11005000011	BDA-1350001	Electric meter 12V (with hour meter)	1	
5	11006000002	P251340004	Key switch JK410	1	
6	73002000002	BDA-03050	Hydraulic power station	1	
7	1100900000065	BDA-08101	Battery 6-DG-135 (Wanda)	1	

Table11-1

<b>List of wearing parts</b>					
No.	CODE	Figure No.	Name	Qty	Remarks
1	23100100019	SF-1-2525	Composite bushing	2	Table1-1/10
2	23100100003	SF-1-1210	Composite bushing	2	Table1-1/15
3	21001100003	JB982	Combined pad 16	2	Table2-1/5
4	73004000059	BDA-00026	High pressure oil pipe	1	Table2-1/6
5	21001100002	JB982	Combined pad 14	1	Table2-1/8
6	23000100006	GB276	Deep groove ball bearing 6206	2	Table6-1/3
7	71003000016	SBA-00061A	White nylon wheel 180×50	1	Table7-1/8
	71003000017	SBA-00061A	Black nylon wheel 180×50	1	Table8-1/8
8	8B011010004	SBA-00015A	White nylon wheel Φ80×93	1	Table10-1/9
	8B011010005	SBA-00015B	Black nylon wheel Φ80×93	1	
	8B011010006	SBA-00015C	Red polyurethane wheel Φ80×93	1	

<b>Repair kit</b>					
No.	CODE	Figure No.	Name	Qty	Remarks
1	21000300004	DHS40	DH type dust ring 40 x 48 x 5 x 6.5	1	Table4-1/1
2	21000100002	GB3452.1	O-ring 50×3.55	1	Table4-1/5
3	21000400003	UHS40	UHS sealing ring 40×50×6	1	Table4-1/6
4	21000100003	GB3452.1	O-ring 23.6×3.55	1	Table4-1/10
5	21000800002	BDA-03014	Guide ring for holes	1	Table4-1/12
6	21000400001	UHS45	UHS sealing ring 45×56×7	1	Table4-1/13