

- **Load Capacity 4500-7000 lbs.**
- Lift Height 189-212 in.
- **Side Shift**
- Free Lift
- Hydraulic Steering
- ZAPI Controller
- Tilt
- Fork Length 42"
- Li-Iron Battery
- 3-Phase 480V Charger
(Optional 220V)
- 3 Year Limited Warranty



EK20GS / EK25GB / EK25GHB / EK30GB / EK35GB ***Electric POWERED FORKLIFT***

Superior quality, maneuverable, compact, and durable for all your material handling applications. Ideal for small aisles and areas.

WEIGHT CAPACITY: 4500-7000 lbs. @ 20" load center

LIFT HEIGHT: 189-212"

FORKS: 42"

MAST HEIGHT: 83-94.5"

TURNING RADIUS: 84.2"-87.9"

FREE LIFT: 40.94"-54.9"

SIDE SHIFT – 3 Way Valve

BATTERY & CHARGER: 48V/600AH Lead Acid Battery, 3-Phase 480V included, (optional 220V)

SPEED TRAVEL: Unloaded 9.3 MPH/Loaded 9MPH

LIFTING SPEED: 17.3 ips empty; 11.4-12.5 ips loaded

LOWERING SPEED: 14.1-15.7 ips empty; 15.7-18.1 ips loaded

WHEELS: Solid Pneumatic

ZAPI Controller

AC Drive Motor:

BRAKES: Drum Brakes with Electro-magnetic braking for secure stopping power; Electronic neutral braking for accurate control.

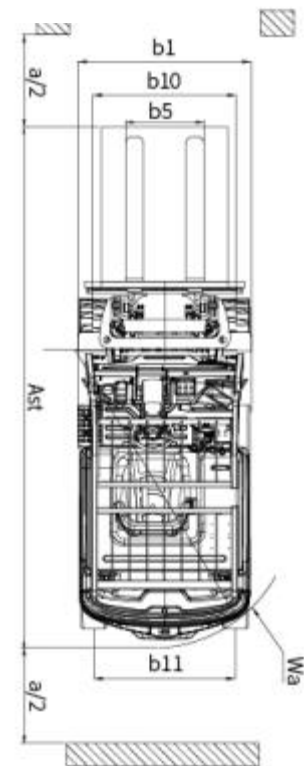
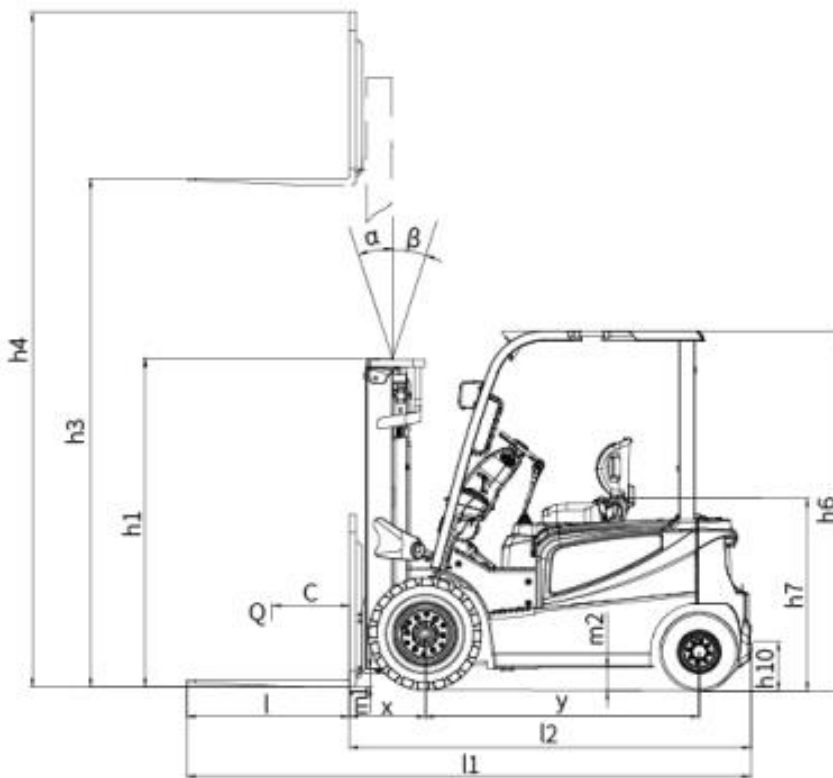
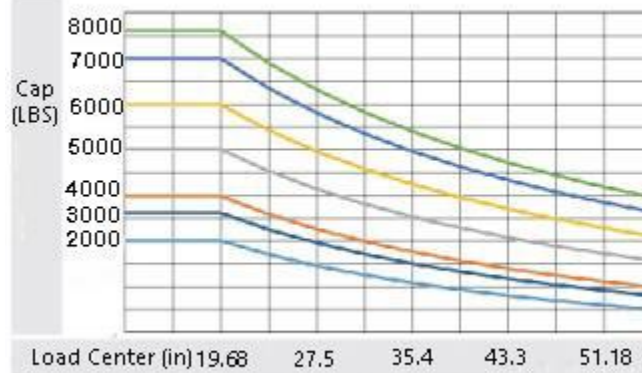
LIGHTING: LED Head lights, rear lights Brake lights, strobe light and backup alarm.

OPERATOR CONTROLS: EPS (Electric Power Steering), tilt lifting, lowering, side shifting forks, horn functions are located in the ergonomic sit down; Led lighting. Battery Discharge indicator and travel speed Odometer

CHASSIS AND MAST: Robotic Welding; Heavy duty steel chassis with I-beam mast for durability; Telescoping mast.



Load curve



MODEL #	CAPACITY	LIFT HEIGHT	FREE LIFT	TOTAL LENGTH	SERVICE WEIGHT
EK20GS	4500 LBS.	189"	47.48"	133"	9,232 LBS.
EK25GB	5000 LBS.	189"	47.48"	137.95"	9,981 LBS.
EK25GHB	5000 LBS.	212"	54.9"	138"	10,114 LBS.
EK30GB	6000 LBS.	189"	40.9"	143.2"	10,795 LBS.
EK35GB	7000 LBS.	189"	40.9"	143.4"	11,408 LBS.