

EKKO[®]

MATERIAL HANDLING EQUIPMENT

MOVING AHEAD

COUNTERBALANCE STACKER EK13S-177 SERIES

- Load Capacity 2860 lbs.
- Lift Height 177" in.
- EPS (Elec. Power Steer)
- Length 107 in.
- **SIDE-SHIFT**
- Curtis Instrument Controller
- Tilt 2/5 degree
- Mast Height 78 in.
- Battery & Charger Included
- 3 Year Limited Warranty



EK13S-177 SERIES

Superior quality, maneuverable, compact, and durable for all your material handling applications. Ideal for small aisles and areas.

WEIGHT CAPACITY: 2860 lbs. @ 24" load center

LIFT HEIGHT: 177" (14.75ft)

FORK LENGTH: 45.3"

MAST HEIGHT: 78"

TURNING RADIUS: 57"

TILT: 2/5 degree

SIDE-SHIFT

BATTERY / CHARGER: 24V 210AH, 24-volt Industrial battery with external direct connect 110A 110VAC plug-in automatic 24V/30A charger (both Included)

BRAKING: Electromagnetic Brakes

SPEED TRAVEL: 3.7 mph empty ; 3.5 mph loaded

LIFTING SPEED: 4.7" ips empty; 4.7" ips loaded

LOWERING SPEED: 4.7" ips empty; 5.3" ips loaded

DRIVE WHEELS: 10" x 2.75" Polyurethane

LOAD WHEELS: (2) 9.5" x 4.75" Polyurethane

HYDRAULICS LIFTING MOTOR: 24V 2500 Watt lifting motor with hardened chrome moly steel for durability.

DRIVE MOTOR: 24V 2500-Watt German ZF AC drive motor for efficiency and high torque.

STEERING MOTOR: EPS (Electronic Power Steering) 24V 200 Watt

AC CONTROLLER: 24V CURTIS Instrument provides performance through entire range of speed; Constant travel speed regardless of load; Battery discharge indicator combination gauge.

BRAKES: Electro-magnetic braking for secure stopping power; Electronic neutral braking for accurate control.

OPERATOR CONTROLS: EPS (Electric Power Steering), tilt lifting, lowering, horn functions are located in the ergonomic handle; Belly button reverse safety feature allows the unit to stop and reverse to avoid collision or injury.

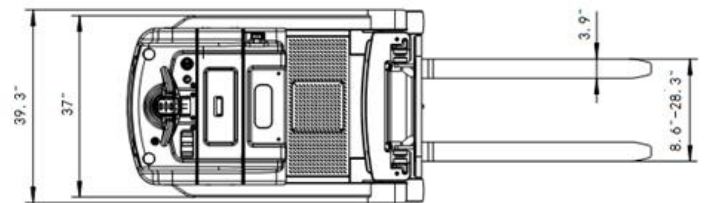
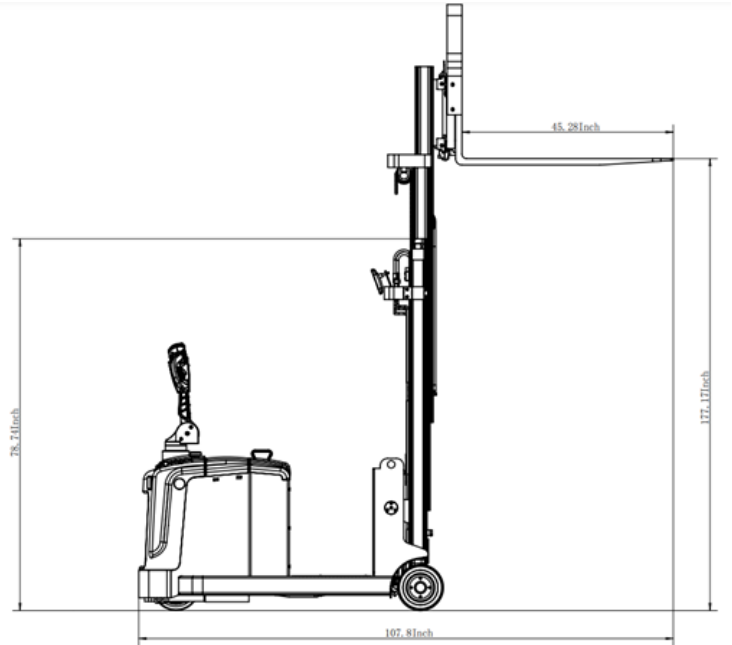
CHASSIS AND MAST: Robotic Welding; Heavy duty steel chassis with I-beam mast for durability; Telescoping mast.



Counterbalanced Stacker



Model		EK13S-177
Drive type		Electric
Type of operation		Walike type
Load Capacity	Q (LBS)	2860
Load Centre	c (Inch)	23.6
Distance between fork backrest and front wheel	x (Inch)	5.91
Wheelbase	y (Inch)	46.81
Service Weight (with battery)	LBS	4070
Tire material		PU
Driving wheel size	Φ×w(Inch)	Φ9.84×2.95
Bearing wheel size	Φ×w(Inch)	Φ9.84×4.72
No of Driving wheel,Balance wheel/Bearing wheel(X=Driving wheel)		2/1X
Front wheelbase	b10 (Inch)	34.09
Rear wheelbase	b11 (Inch)	0
Mast/fork carriage tilt, forward/backward	α/β (°)	2/5
Lowered mast height	h1 (Inch)	78.74
Free lift height	h2 (Inch)	59.84
Lift height	h3 (Inch)	177.17
Extended mast height	h4 (Inch)	214.53
Height of seat/stand-on platform	h7 (mm)	5
The height of handle in the operation position	h14 (Inch)	43.5/56.69
Overall Length	l1 (Inch)	107.8
Body Length	l2 (Inch)	62.52
Overall Width	b1/ b2 (Inch)	39.29
Fork Size	s/e/l (Inch)	1.38/3.94/45.28
Fork Width	b5 (Inch)	8.66-28.35
Ground clearance under mast	m1 (Inch)	3.54
Min Ground clearance	m2 (Inch)	3.39
Aisle width for pallets 1000*1200 crossways	Ast (Inch)	115.95
Aisle width for pallets 800*1200 lengthways	Ast (Inch)	120.28
Turing Radius	Wa (Inch)	56.89
Driving Speed, load/unload	(km/h)	5.2/5.5
Lifting Speed load/unload	(mm/s)	100/120
Lowered Speed load/unload	(mm/s)	136/120
Maximum gradeability load/unload	(%)	6/8
Brake Type		Electromagnetic brake
Drive Motor	(kW)	2.5
Lift Motor	(kW)	2.5
Battery voltage/rate capacity	(V/Ah)	24/210
Battery Weight (±5%)	(lbs)	460
Type of drive control		AC
Noise level	(dB(A))	70
Steering type		EPS



MODEL #	LOAD	MAST	LIFT HEIGHT	MAX MAST HEIGHT	TOTAL LENGTH	SERVICE WEIGHT
EK13S-130	2860lbs	78"	177"	214.53"	107"	4070lbs