

EKKO[®]

MATERIAL HANDLING EQUIPMENT

MOVING AHEAD

CATALOG



www.ekkolifts.com

Table of Contents

| | |
|-------------------------------------|-------|
| About US | 3 |
| FORKLIFTS | |
| Electric Forklift | 4-16 |
| REACH TRUCKS | |
| Electric Reach Trucks | 17-22 |
| COUNTERBALANCED STACKERS | |
| Electric Counterbalanced Stackers | 23-27 |
| STRADDLE STACKERS | |
| Electric Walkie Straddle Stackers | 28-40 |
| PALLET JACKS | |
| Electric and Manual Pallet Jacks | 41-59 |
| SCISSOR LIFT TABLE CARTS | |
| Single and Dual Scissor Table Carts | 60-62 |
| SCISSOR LIFT AERIAL PLATFORM | |
| Scissor Lift Aerial Platform | 63-67 |
| TOW TRACTORS | |
| Tow Tractor | 68 |

About Us

Since 2008, EKKO Material Handling Equipment Manufacturing Inc. has become the go to manufacturer for the OEM and ODM channel. Due to our experience, innovative manufacturing capabilities, design, and our collaborations internationally, we have created enormous success with our partners in supplying them with nothing but quality forklifts, pallet trucks, walkie pallet trucks, walkie rider pallet trucks, stackers, walkie stackers, reach trucks, and many other material handling equipment.

With our strict research and development, quality control, and quality assurance departments, every product has and will continue to pass CE certification with international safety standards and ISO9001 Certification. In addition, our products have acquired self-managed import and export rights throughout North and South America, Europe, Australia and Asia.

OEM and ODM channels are welcomed. Furthermore, non-standard equipment is capable for production according to the customer's specifications and requirements. EKKO insists on the operating theory of "Services Create Enterprise Value", offering you top-ranking quality and professional after-service.

- **Superior Quality**
- **Reliability**
- **Versatility**
- **Advanced Engineering**
- **Competitive Pricing**
- **ISO Certified**
- **CE Certified**
- **Superior Support**
- **3 Years Warranty**



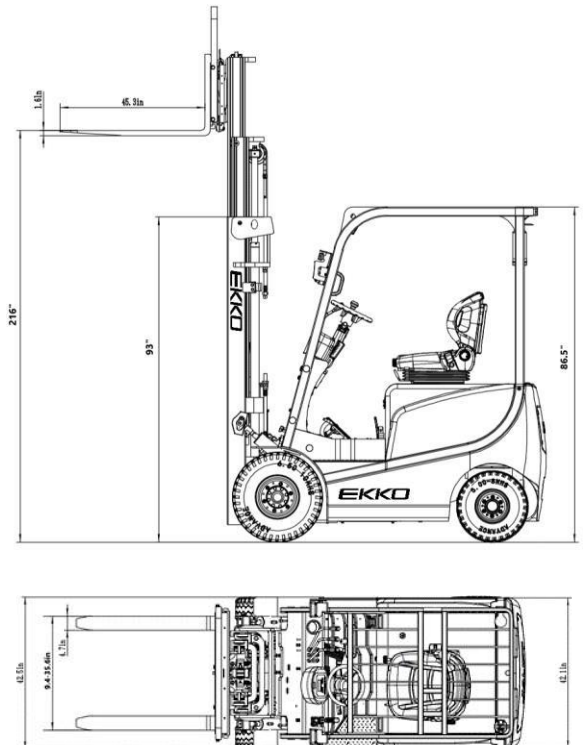
EK20R 4 Wheel Electric Forklift

| Model | | EK20R |
|--|--------|------------------|
| Lift | | Electric |
| Drive | | Sit-Down |
| Load capacity | (lb.) | 4500 |
| Load center distance | (in) | 24 |
| Wheelbase | (in) | 55.5 |
| Lifting height | (in) | 216 |
| Free lifting height | (in) | 73 |
| Lowered mast height | (in) | 93 |
| Mast/Fork carriage tilt forward/backward | (°) | 3/6 |
| Side Shifting Forks | | 3-way valve |
| Overall length | (in) | 134 |
| Overall width | (in) | 42 |
| Fork size, Thick/Width/Length | (in) | 1.6/4.7/45.3 |
| Fork adjust width | (in) | 9.4-35.6 |
| Turning radius | (in) | 84.6 |
| Max gradient performance, laden/unladen | (%) | 12/15 |
| Lift speed, laden/unladen | (in/s) | 7.5/9 |
| Lowering speed, laden/unladen | (in/s) | 9.5/10.2 |
| Charger | (V/A) | 48V/65A |
| Driving Motor | (V/W) | ZF AC 48V/7500 |
| Lifting Motor | (W) | 7700 Watt |
| Battery voltage | (V/Ah) | 48V/420Ah (Side) |
| Service Weight | (lb.) | 8000 lb. |

The EKKO EK20R 4 Wheel Electric Forklift is designed for use for all of your material handling demands. It is ideal for loading and unloading trucks, loading docks, stock rooms, manufacturing floors and warehousing.

Made from high quality steel and components with durable quality drives to withstand any terrain, usage, impact and directional changes for the use of any application with confidence and assurance.

- Load Capacity 4500 lb.
- Raised Height 216" (18ft)
- Side Shifting
- Free Lift 73"
- Adjustable Forks 9.4-35.6"
- Fork Length 45.3"
- Overhead Guard 86.5"
- Hydraulic Steering
- Curtis Instrument Controller
- ZF AC Drive Motor 7500 Watts
- 7700 Watts Lifting Motor
- Battery 48V/420Ah
- Solid Cushion Tires
- Ergonomic Handle and Controls
- Steel Construction
- Robotic Welding
- Charger 48V/65A
- 3 Year Limited Warranty



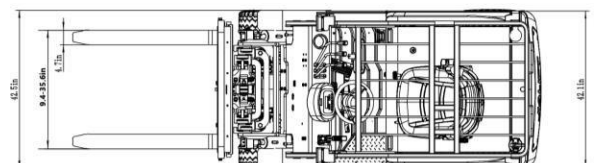
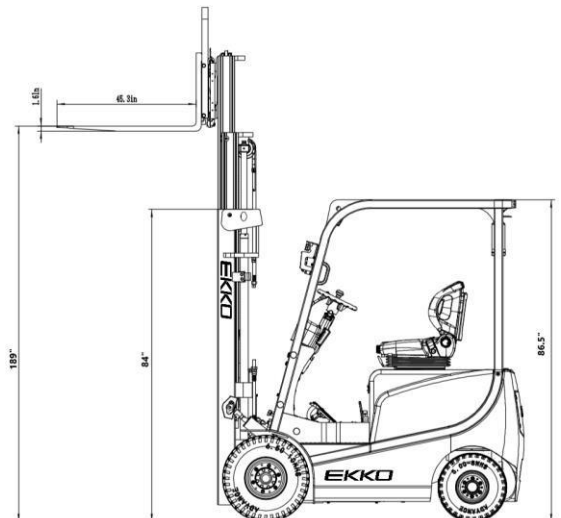
EK20RL 4 Wheel Electric Forklift

| Model | | EK20RL |
|--|--------|------------------|
| Lift | | Electric |
| Drive | | Sit-Down |
| Load capacity | (lb.) | 4500 |
| Load center distance | (in) | 24 |
| Wheelbase | (in) | 55.5 |
| Lifting height | (in) | 189 |
| Free lifting height | (in) | 65 |
| Lowered mast height | (in) | 84 |
| Mast/Fork carriage tilt forward/backward | (°) | 3/6 |
| Side Shifting Forks | | 3-way valve |
| Overall length | (in) | 134 |
| Overall width | (in) | 42 |
| Fork size, Thick/Width/Length | (in) | 1.6/4.7/45.3 |
| Fork adjust width | (in) | 9.4-35.6 |
| Turning radius | (in) | 84.6 |
| Max gradient performance, laden/unladen | (%) | 12/15 |
| Lift speed, laden/unladen | (in/s) | 7.5/9 |
| Lowering speed, laden/unladen | (in/s) | 9.5/10.2 |
| Charger | (V/A) | 48V/65A |
| Driving Motor | (V/W) | ZF AC 48V/7500W |
| Lifting Motor | (W) | 7700 |
| Battery voltage | (V/Ah) | 48V/420Ah (Side) |
| Service Weight | (lb.) | 7500 lb. |

The EKKO EK20RL 4 Wheel Electric Forklift is designed for use for all of your material handling demands. It is ideal for loading and unloading trucks, loading docks, stock rooms, manufacturing floors and warehousing.

Made from high quality steel and components with durable quality drives to withstand any terrain, usage, impact and directional changes for the use of any application with confidence and assurance.

- Load Capacity 4500 lb.
- Raised Height 189" (15.75ft)
- Side Shifting
- Free Lift 68"
- Adjustable Forks 9.4-35.6"
- Fork Length 45.3"
- Overhead Guard 86.5"
- Hydraulic Steering
- Curtis Instrument Controller
- ZF AC Drive Motor 7500 Watts
- 7700 Watts Lifting Motor
- Battery 48V/420Ah
- Solid Cushion Tires
- Ergonomic Handle and Controls
- Steel Construction
- Robotic Welding
- Charger 48V/65A
- 3 Year Limited Warranty



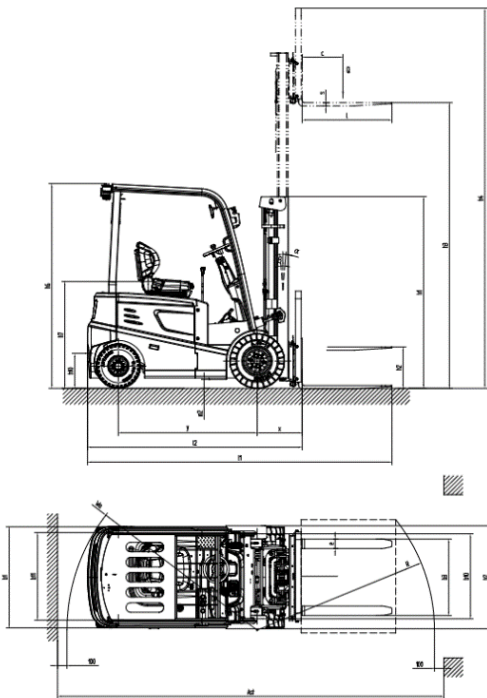
EK20-189Li 4 Wheel Lithium-iron Forklift

| Model | | EK20-189Li |
|--|--------|-----------------|
| Lift | | Electric |
| Drive | | Sit-Down |
| Load capacity | (lb.) | 4500 |
| Load center distance | (in) | 19.68 |
| Wheelbase | (in) | 59.84 |
| Lifting height | (in) | 189 |
| Free lifting height | (in) | 43.4 |
| Lowered mast height | (in) | 83.94 |
| Mast/Fork carriage tilt forward/backward | (°) | 6/6 |
| Side Shifting Forks | | 3-way valve |
| Overall length | (in) | 132.28 |
| Overall width | (in) | 42.12 |
| Fork size, Thick/Width/Length | (in) | 1.57/4.72/42.12 |
| Fork adjust width | (in) | 8.7-29 |
| Turning radius | (in) | 86.02 |
| Max gradient performance, laden/unladen | (%) | 6/8 |
| Lift speed, laden/unladen | (in/s) | 9.45/12.6 |
| Lowering speed, laden/unladen | (in/s) | 8/6.8 |
| Charger | (V/A) | 48V/60A |
| Driving Motor | (K/W) | 7.5 |
| Lifting Motor | (K/W) | 7.7 |
| Battery voltage | (V/Ah) | 48V/350Ah Li |
| Service Weight | (lb.) | 8560 lb. |

The EKKO EK20-189LI 4 Wheel Electric Forklift with lithium battery is designed for use for all of your material handling demands. It features fast charging abilities (fully charged after 2.5 hours). It is ideal for loading and unloading trucks, loading docks, stock rooms, manufacturing floors and warehousing.

Made from high quality steel and components with durable quality drives to withstand any terrain, usage, impact and directional changes for the use of any application with confidence and assurance.

- Load Capacity 4500 lb.
- Raised Height 189" (15.75ft)
- Side Shifting
- Free Lift 43.4"
- Adjustable Forks 9.4-34.25"
- Fork Length 42"
- Hydraulic Steering
- Curtis Instrument Controller
- AC Drive Motor 7500 Watts
- 7700 Watts Lifting Motor
- Battery 48V/350Ah Lithium (Included)
- Solid Cushion Tires
- Ergonomic Handle and Controls
- Steel Construction
- Robotic Welding
- Charger 48V/60A 480V
- 3 Year Limited Warranty



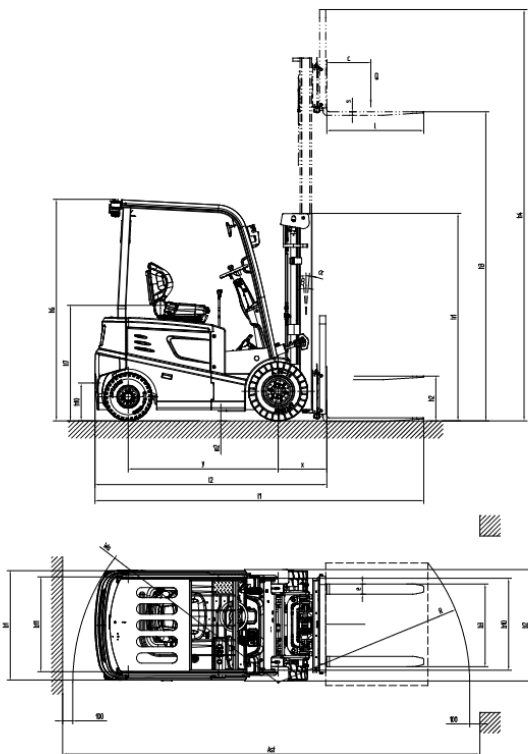
EK20-216Li 4 Wheel Lithium-iron Forklift

| Model | | EK20-216Li |
|--|--------|-----------------|
| Lift | | Electric |
| Drive | | Sit-Down |
| Load capacity | (lb.) | 4500 |
| Load center distance | (in) | 19.68 |
| Wheelbase | (in) | 59.84 |
| Lifting height | (in) | 216 |
| Free lifting height | (in) | 52.55 |
| Lowered mast height | (in) | 93.11 |
| Mast/Fork carriage tilt forward/backward | (°) | 6/6 |
| Side Shifting Forks | | 3-way valve |
| Overall length | (in) | 132.28 |
| Overall width | (in) | 42.12 |
| Fork size, Thick/Width/Length | (in) | 1.57/4.72/42.12 |
| Fork adjust width | (in) | 8.7-29 |
| Turning radius | (in) | 86.02 |
| Max gradient performance, laden/unladen | (%) | 6/8 |
| Lift speed, laden/unladen | (in/s) | 9.45/12.6 |
| Lowering speed, laden/unladen | (in/s) | 8/6.8 |
| Charger | (V/A) | 48V/60A |
| Driving Motor | (K/W) | 7.5 |
| Lifting Motor | (K/W) | 7.7 |
| Battery voltage | (V/Ah) | 48V/350Ah Li |
| Service Weight | (lb.) | 8780 lb. |

The EKKO EK20-216LI 4 Wheel Electric Forklift with lithium battery is designed for use for all of your material handling demands. It features fast charging abilities (fully charged after 2.5 hours). It is ideal for loading and unloading trucks, loading docks, stock rooms, manufacturing floors and warehousing.

Made from high quality steel and components with durable quality drives to withstand any terrain, usage, impact and directional changes for the use of any application with confidence and assurance.

- Load Capacity 4500 lb.
- Raised Height 216" (18ft)
- Side Shifting
- Free Lift 52.55"
- Adjustable Forks 9.4-34.25"
- Fork Length 42"
- Hydraulic Steering
- Curtis Instrument Controller
- AC Drive Motor 7500 Watts
- 7700 Watts Lifting Motor
- Battery 48V/350Ah Lithium (Included)
- Solid Cushion Tires
- Ergonomic Handle and Controls
- Steel Construction
- Robotic Welding
- Charger 48V/60A 480V
- 3 Year Limited Warranty



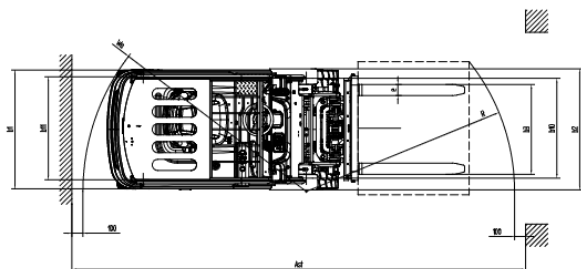
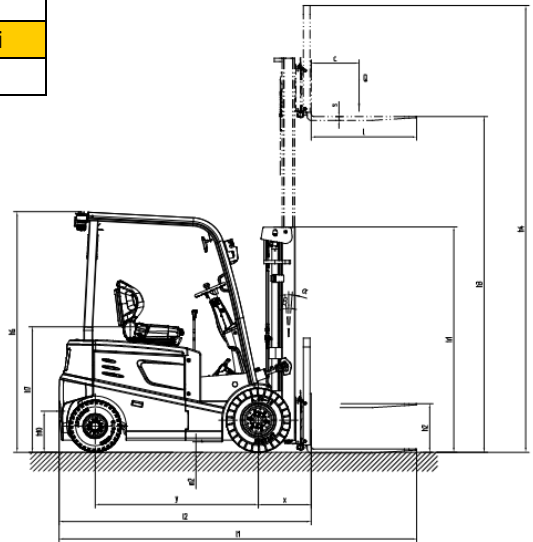
EK22-189Li 4 Wheel Lithium-iron Forklift

| Model | | EK22-189Li |
|--|--------|-----------------|
| Lift | | Electric |
| Drive | | Sit-Down |
| Load capacity | (lb.) | 5000 |
| Load center distance | (in) | 19.68 |
| Wheelbase | (in) | 59.84 |
| Lifting height | (in) | 189 |
| Free lifting height | (in) | 43.4 |
| Lowered mast height | (in) | 83.94 |
| Mast/Fork carriage tilt forward/backward | (°) | 6/6 |
| Side Shifting Forks | | 3-way valve |
| Overall length | (in) | 132.28 |
| Overall width | (in) | 42.12 |
| Fork size, Thick/Width/Length | (in) | 1.57/4.72/42.12 |
| Fork adjust width | (in) | 8.7-29 |
| Turning radius | (in) | 86.02 |
| Max gradient performance, laden/unladen | (%) | 6/8 |
| Lift speed, laden/unladen | (in/s) | 9.45/12.6 |
| Lowering speed, laden/unladen | (in/s) | 8/6.8 |
| Charger | (V/A) | 48V/60A |
| Driving Motor | (K/W) | 7.5 |
| Lifting Motor | (K/W) | 7.7 |
| Battery voltage | (V/Ah) | 48V/404Ah Li |
| Service Weight | (lb.) | 9065 lb. |

The EKKO EK22-189LI 4 Wheel Electric Forklift with lithium battery is designed for use for all of your material handling demands. It features fast charging abilities (fully charged after 2.5 hours). It is ideal for loading and unloading trucks, loading docks, stock rooms, manufacturing floors and warehousing.

Made from high quality steel and components with durable quality drives to withstand any terrain, usage, impact and directional changes for the use of any application with confidence and assurance.

- Load Capacity 5000 lb.
- Raised Height 189" (15.75ft)
- Side Shifting
- Free Lift 43.4"
- Adjustable Forks 9.4-34.25"
- Fork Length 42"
- Hydraulic Steering
- Curtis Instrument Controller
- AC Drive Motor 7500 Watts
- 7700 Watts Lifting Motor
- Battery 48V/404Ah Lithium (Included)
- Solid Cushion Tires
- Ergonomic Handle and Controls
- Steel Construction
- Robotic Welding
- Charger 48V/60A 480V
- 3 Year Limited Warranty



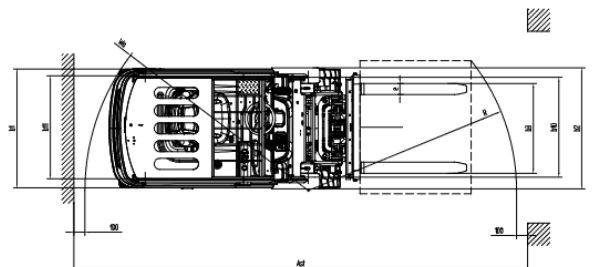
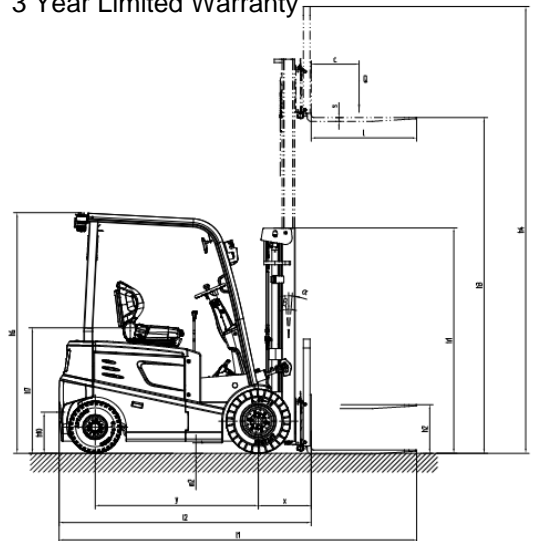
EK22-216Li 4 Wheel Lithium-iron Forklift

| Model | | EK22-216Li |
|--|--------|-----------------|
| Lift | | Electric |
| Drive | | Sit-Down |
| Load capacity | (lb.) | 5000 |
| Load center distance | (in) | 19.68 |
| Wheelbase | (in) | 59.84 |
| Lifting height | (in) | 216 |
| Free lifting height | (in) | 52.55 |
| Lowered mast height | (in) | 93.11 |
| Mast/Fork carriage tilt forward/backward | (°) | 6/6 |
| Side Shifting Forks | | 3-way valve |
| Overall length | (in) | 132.28 |
| Overall width | (in) | 42.12 |
| Fork size, Thick/Width/Length | (in) | 1.57/4.72/42.12 |
| Fork adjust width | (in) | 8.7-29 |
| Turning radius | (in) | 86.02 |
| Max gradient performance, laden/unladen | (%) | 6/8 |
| Lift speed, laden/unladen | (in/s) | 9.45/12.6 |
| Lowering speed, laden/unladen | (in/s) | 8/6.8 |
| Charger | (V/A) | 48V/60A |
| Driving Motor | (K/W) | 7.5 |
| Lifting Motor | (K/W) | 7.7 |
| Battery voltage | (V/Ah) | 48V/404Ah Li |
| Service Weight | (lb.) | 9285 lb. |

The EKKO EK22-216LI 4 Wheel Electric Forklift with lithium battery is designed for use for all of your material handling demands. It features fast charging abilities (fully charged after 2.5 hours). It is ideal for loading and unloading trucks, loading docks, stock rooms, manufacturing floors and warehousing.

Made from high quality steel and components with durable quality drives to withstand any terrain, usage, impact and directional changes for the use of any application with confidence and assurance.

- Load Capacity 5000 lb.
- Raised Height 216" (18ft)
- Side Shifting
- Free Lift 52.55"
- Adjustable Forks 9.4-34.25"
- Fork Length 42"
- Hydraulic Steering
- Curtis Instrument Controller
- AC Drive Motor 7500 Watts
- 7700 Watts Lifting Motor
- Battery 48V/350Ah Lithium (Included)
- Solid Cushion Tires
- Ergonomic Handle and Controls
- Steel Construction
- Robotic Welding
- Charger 48V/60A 480V
- 3 Year Limited Warranty



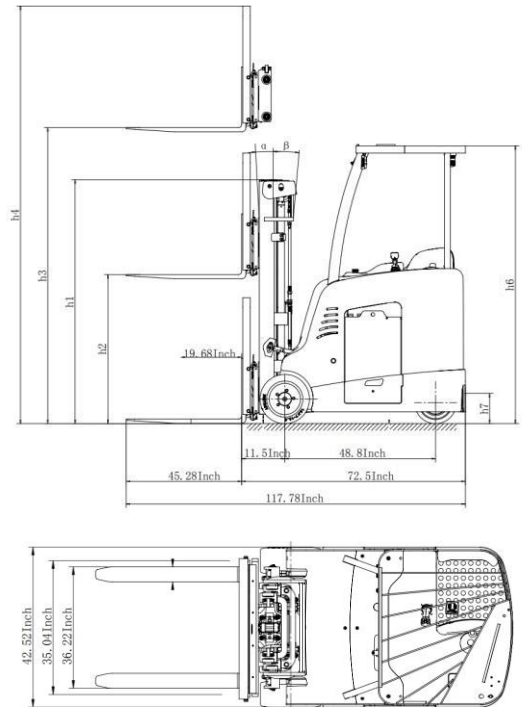
EK18RF Stand-up Rider Forklift

| Model | | EK18RF |
|--|--------|------------------|
| Lift | | Electric |
| Drive | | Electric |
| Load capacity | (lb.) | 4000 |
| Load center distance | (in) | 24 |
| Wheelbase | (in) | 48.8 |
| Lifting height | (in) | 216 |
| Free lifting height | (in) | 61.34 |
| Lowered mast height | (in) | 91.77 |
| Mast/Fork carriage tilt forward/backward | (°) | 3/5 |
| Side Shifting Forks | | 3-way valve |
| Overall length | (in) | 72.52 |
| Overall width | (in) | 42.52 |
| Fork size, Thick/Width/Length | (in) | 1.58/4.72/45 |
| Fork adjust width | (in) | 35 |
| Turning radius | (in) | 58.5 |
| Max gradient performance, laden/unladen | (%) | 6/10 |
| Lift speed, laden/unladen | (in/s) | 9.8/15 |
| Lowering speed, laden/unladen | (in/s) | 9.5/10.2 |
| Charger | (V/A) | 48V/65A |
| Driving Motor | (V/W) | ZF AC 48/6000 |
| Lifting Motor | (V/W) | 48/7700 |
| Battery voltage | (V/Ah) | 48V/420Ah (Side) |
| Service Weight | (lb.) | 7940 |

The EKKO EK18RF Stand-up Forklift is designed for use for small aisles, limited spaces and budget. It is ideal for loading and unloading trucks, loading docks, stock rooms, manufacturing floors and warehousing.

Made from high quality steel and components with durable quality drives to withstand any terrain, usage, impact and directional changes for the use of any application with confidence and assurance.

- Load Capacity 4000 lb.
- Raised Height 216" (18ft)
- Side Shifting
- Free Lift 61.34"
- Adjustable Forks 8.7-35"
- Fork Length 45"
- Overhead Guard 90.08"
- EPS (Electric Power Steering)
- Curtis Instrument Controller
- 48V AC Drive Motor
- 48V Lift Motor
- Battery 48V/420Ah
- Solid Wheels
- Ergonomic Handle and Controls
- Steel Construction
- Robotic Welding
- Charger 48V/65A
- 3 Year Limited Warranty



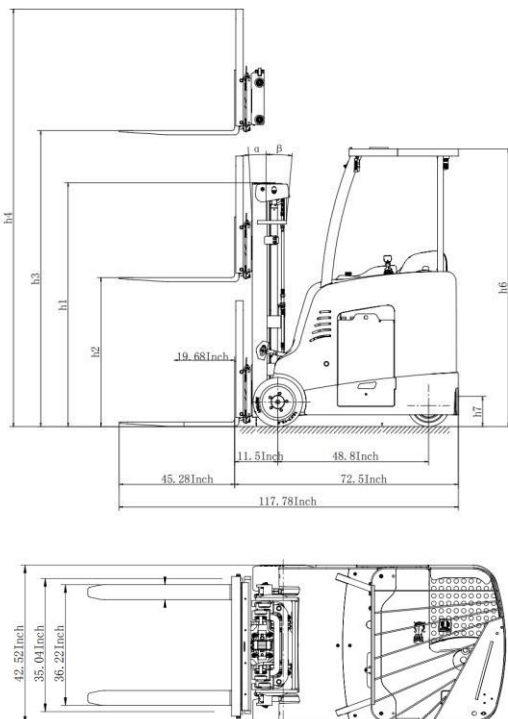
EK18RFL Stand-up Rider Forklift

| Model | | EK18RFL |
|--|--------|------------------|
| Lift | | Electric |
| Drive | | Electric |
| Load capacity | (lb.) | 4000 |
| Load center distance | (in) | 24 |
| Wheelbase | (in) | 48.8 |
| Lifting height | (in) | 189 |
| Free lifting height | (in) | 52.17 |
| Lowered mast height | (in) | 82.6 |
| Mast/Fork carriage tilt forward/backward | (°) | 3/5 |
| Side Shifting Forks | | 3-way valve |
| Overall length | (in) | 72.52 |
| Overall width | (in) | 42.52 |
| Fork size, Thick/Width/Length | (in) | 1.58/4.72/45 |
| Fork adjust width | (in) | 35 |
| Turning radius | (in) | 58.5 |
| Max gradient performance, laden/unladen | (%) | 6/10 |
| Lift speed, laden/unladen | (in/s) | 9.8/15 |
| Lowering speed, laden/unladen | (in/s) | 9.5/10.2 |
| Charger | (V/A) | 48V/65A |
| Driving Motor | (V/W) | ZF AC 48/6000 |
| Lifting Motor | (V/W) | 48/7700 |
| Battery voltage | (V/Ah) | 48V/420Ah (Side) |
| Service Weight | (lb.) | 7870 |

The EKKO EK18RF Stand-up Forklift is designed for use for small aisles, limited spaces and budget. It is ideal for loading and unloading trucks, loading docks, stock rooms, manufacturing floors and warehousing.

Made from high quality steel and components with durable quality drives to withstand any terrain, usage, impact and directional changes for the use of any application with confidence and assurance.

- Load Capacity 4000 lb.
- Raised Height 189" (15.75ft)
- Side Shifting
- Free Lift 52.17"
- Adjustable Forks 8.7-35"
- Fork Length 45"
- Overhead Guard 90.08"
- EPS (Electric Power Steering)
- Curtis Instrument Controller
- 48V AC Drive Motor
- 48V Lift Motor
- Battery 48V/420Ah
- Solid Wheels
- Ergonomic Handle and Controls
- Steel Construction
- Robotic Welding
- Charger 48V/65A
- 3 Year Limited Warranty



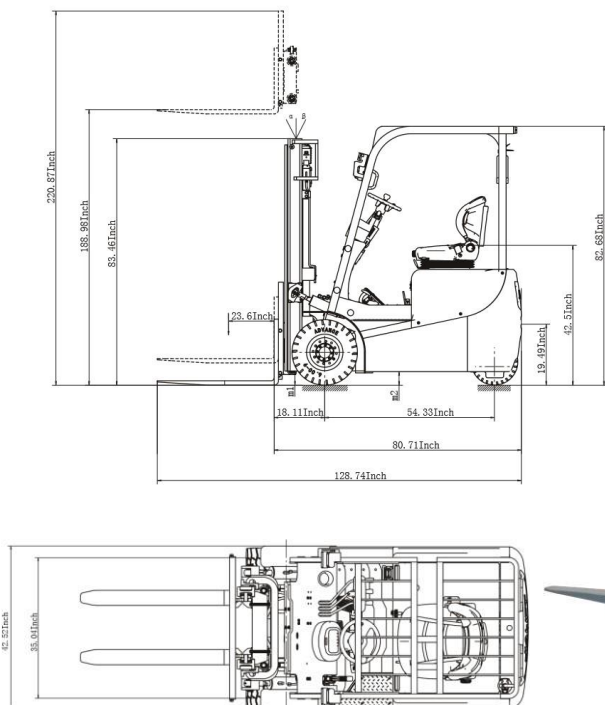
EK18AH 3 Wheel Electric Forklift

| Model | | EK18AH |
|--|--------|------------------|
| Lift | | Electric |
| Drive | | Electric |
| Load capacity | (lb.) | 4000 |
| Load center distance | (in) | 24 |
| Wheelbase | (in) | 54 |
| Lifting height | (in) | 216 |
| Free lifting height | (in) | 72 |
| Lowered mast height | (in) | 92 |
| Mast/Fork carriage tilt forward/backward | (°) | 2/5 |
| Side Shifting Forks | | 3-way valve |
| Overall length | (in) | 80 |
| Overall width | (in) | 42.5 |
| Fork size, Thick/Width/Length | (in) | 1.58/4.72/45.3 |
| Fork adjust width | (in) | 8.7-29 |
| Turning radius | (in) | 64.17 |
| Max gradient performance, laden/unladen | (%) | 10/15 |
| Lift speed, laden/unladen | (in/s) | 9.84/15.75 |
| Lowering speed, laden/unladen | (in/s) | 9.45/10.16 |
| Charger | (V/A) | 48V/65A |
| Driving Motor | (V/W) | AC 48V/7500W |
| Lifting Motor | (V/W) | 48V/7000W |
| Battery voltage | (V/Ah) | 48V/425Ah (Side) |
| Service Weight | (lb.) | 8100 |

The EKKO EK18AH 3 Wheel Electric Forklift is designed for use for small aisles, limited spaces and budget. It is ideal for loading and unloading trucks, loading docks, stock rooms, manufacturing floors and warehousing.

Made from high quality steel and components with durable quality drives to withstand any terrain, usage, impact and directional changes for the use of any application with confidence and assurance.

- Load Capacity 4000 lb.
- Raised Height 216" (18'ft)
- Side Shifting
- Free Lift 72"
- Adjustable Forks 8.7-29"
- Fork Length 45.3"
- Overhead Guard 82.68"
- EPS (Electric Power Steering)
- Curtis Instrument Controller
- 48V German AC Drive Motor
- 48V Lift Motor
- Battery 48V/425Ah
- Solid Wheels
- Ergonomic Handle and Controls
- Steel Construction
- Robotic Welding
- Charger 48V/65A
- 3 Year Limited Warranty



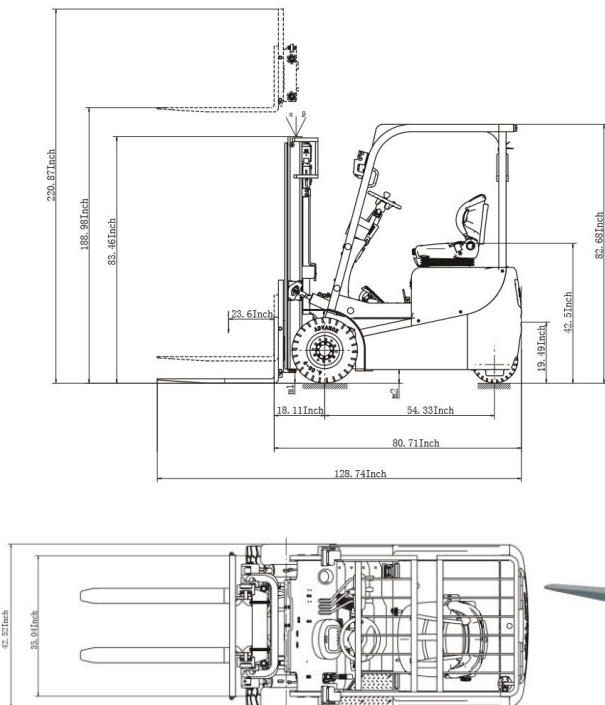
EK18A 3 Wheel Electric Forklift

| Model | | EK18A |
|--|--------|------------------|
| Lift | | Electric |
| Drive | | Electric |
| Load capacity | (lb.) | 4000 |
| Load center distance | (in) | 24 |
| Wheelbase | (in) | 54 |
| Lifting height | (in) | 189 |
| Free lifting height | (in) | 63.78 |
| Lowered mast height | (in) | 83.46 |
| Mast/Fork carriage tilt forward/backward | (°) | 2/5 |
| Side Shifting Forks | | 3-way valve |
| Overall length | (in) | 80 |
| Overall width | (in) | 42.5 |
| Fork size, Thick/Width/Length | (in) | 1.58/4.72/45.3 |
| Fork adjust width | (in) | 8.7-29 |
| Turning radius | (in) | 64.17 |
| Max gradient performance, laden/unladen | (%) | 10/15 |
| Lift speed, laden/unladen | (in/s) | 9.84/15.75 |
| Lowering speed, laden/unladen | (in/s) | 9.45/10.16 |
| Charger | (V/A) | 48V/65A |
| Driving Motor | (V/W) | AC 48V/7500W |
| Lifting Motor | (V/W) | 48V/7000W |
| Battery voltage | (V/Ah) | 48V/425Ah (Side) |
| Service Weight | (lb.) | 7550 |

The EKKO EK18A 3 Wheel Electric Forklift is designed for use for small aisles, limited spaces and budget. It is ideal for loading and unloading trucks, loading docks, stock rooms, manufacturing floors and warehousing.

Made from high quality steel and components with durable quality drives to withstand any terrain, usage, impact and directional changes for the use of any application with confidence and assurance.

- Load Capacity 4000 lb.
- Raised Height 189" (15.75ft)
- Side Shifting
- Free Lift 63.78"
- Adjustable Forks 8.7-29"
- Fork Length 45.3"
- Overhead Guard 82.68"
- EPS (Electric Power Steering)
- Curtis Instrument Controller
- 48V German AC Drive Motor
- 48V Lift Motor
- Battery 48V/425Ah
- Solid Wheels
- Ergonomic Handle and Controls
- Steel Construction
- Robotic Welding
- Charger 48V/65A
- 3 Year Limited Warranty



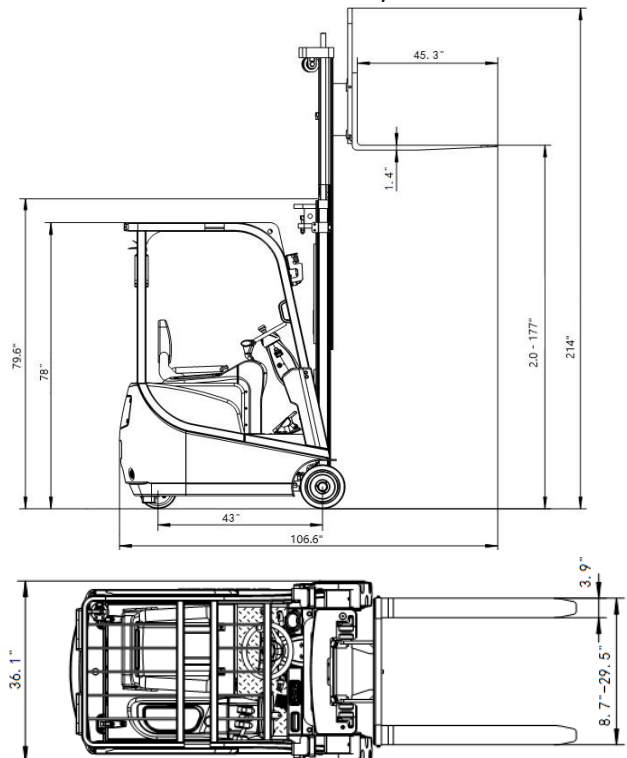
EK15A 3 Wheel Electric Forklift

| Model | | EK15A |
|--|--------|------------------|
| Lift | | Electric |
| Drive | | Electric |
| Load capacity | (lb.) | 3300 |
| Load center distance | (in) | 24 |
| Wheel base | (in) | 43 |
| Lifting height | (in) | 177 |
| Free lifting height | (in) | 59 |
| Lowered mast height | (in) | 79.6 |
| Mast/Fork carriage tilt forward/backward | (°) | 2/5 |
| Side Shifting Forks | | 3-way valve |
| Overall length | (in) | 106.6 |
| Overall width | (in) | 36 |
| Fork size, Thick/Width/Length | (in) | 1.4/4/45.3 |
| Fork adjust width | (in) | 8.7-29 |
| Turning radius | (in) | 53 |
| Max gradient performance, laden/unladen | (%) | 6/8 |
| Lift speed, laden/unladen | (in/s) | 4/5.5 |
| Lowering speed, laden/unladen | (in/s) | 5.3/4.7 |
| Charger | (V/A) | 24V/50A |
| Driving Motor | (V/W) | AC 24V/2000W |
| Lifting Motor | (V/W) | 24V/2500W |
| Battery voltage | (V/Ah) | 24V/400Ah (Side) |
| Service Weight | (lb.) | 5665 |

The EKKO EK15A 3 Wheel Electric Forklift is designed for use for small aisles, limited spaces and budget. It is ideal for loading and unloading trucks, loading docks, stock rooms, manufacturing floors and warehousing.

Made from high quality steel and components with durable quality drives to withstand any terrain, usage, impact and directional changes for the use of any application with confidence and assurance.

- Load Capacity 3300 lb.
- Raised Height 177" (14.75ft)
- Side Shifting
- Free Lift 59"
- Adjustable Forks 8.7-29"
- Fork Length 45.3"
- Overhead Guard 77"
- EPS (Electric Power Steering)
- Curtis Instrument Controller
- 24V AC Drive Motor
- 24V Lift Motor
- Battery 24V/400Ah
- Solid Wheels
- Ergonomic Handle and Controls
- Steel Construction
- Robotic Welding
- Charger 24V/50Ah
- 3 Year Limited Warranty



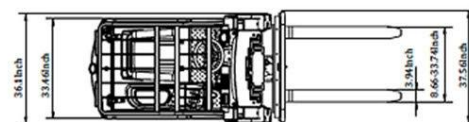
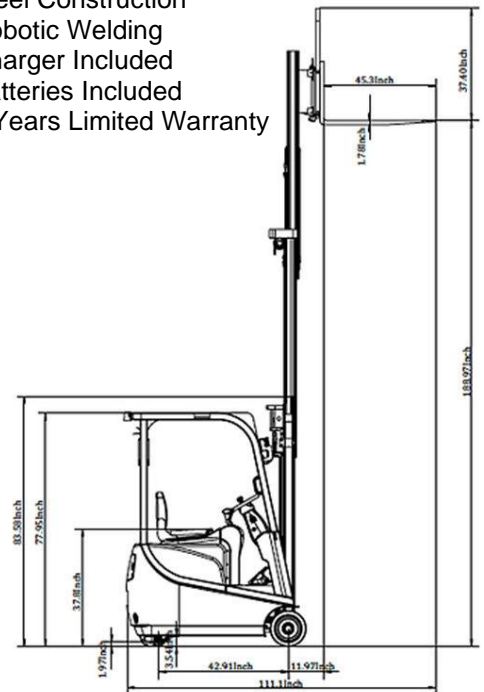
EK15A-189Li 3 Wheel Lithium-Iron Forklift

| Model | | EK15A-189Li |
|--|--------|----------------|
| Lift | | Electric |
| Drive | | Electric |
| Load capacity | (lb.) | 3300 |
| Load center distance | (in) | 24 |
| Wheel base | (in) | 42.91 |
| Lifting height | (in) | 189 |
| Free lifting height | (in) | 62.56 |
| Lowered mast height | (in) | 83.54 |
| Mast/Fork carriage tilt forward/backward | (°) | 2/5 |
| Side Shifting Forks | | 3-way valve |
| Overall length | (in) | 111.1 |
| Overall width | (in) | 36.1 |
| Fork size, Thick/Width/Length | (in) | 1.78/3.94/45.3 |
| Fork adjust width | (in) | 8.7-29 |
| Turning radius | (in) | 53.07 |
| Max gradient performance, laden/unladen | (%) | 6/10 |
| Lift speed, laden/unladen | (in/s) | 5.3/8.4 |
| Lowering speed, laden/unladen | (in/s) | 9.3/8.85 |
| Charger | | 110 Plug in |
| Driving Motor | (V/W) | AC 24V/2000W |
| Lifting Motor | (V/W) | 24V/2500W |
| Battery voltage | (V/Ah) | 24V/350Ah Li |
| Service Weight | (lb.) | 5560 |

The EKKO EK15A-189LI 3 Wheel Electric Forklift with lithium battery is designed for use for small aisles, limited spaces and budget. It is ideal for loading and unloading trucks, loading docks, stock rooms, manufacturing floors and warehousing.

Made from high quality steel and components with durable quality drives to withstand any terrain, usage, impact and directional changes for the use of any application with confidence and assurance. (Recommended for Indoor use on flat surfaces)

- Load Capacity 3300 lbs.
- Raised Height 189" (15.75ft)
- Free Lift 62.56"
- Side Shifting
- Adjustable Forks 8.66-33.74"
- Fork Length 45.3"
- Curtis Controller
- Tilt 2/5 Degree
- 24V AC Drive Motor
- 24V Lift Motor
- Cushion Wheels
- Ergonomic Handle and Controls
- EPS (Electronic Power Steering)
- Steel Construction
- Robotic Welding
- Charger Included
- Batteries Included
- 3 Years Limited Warranty



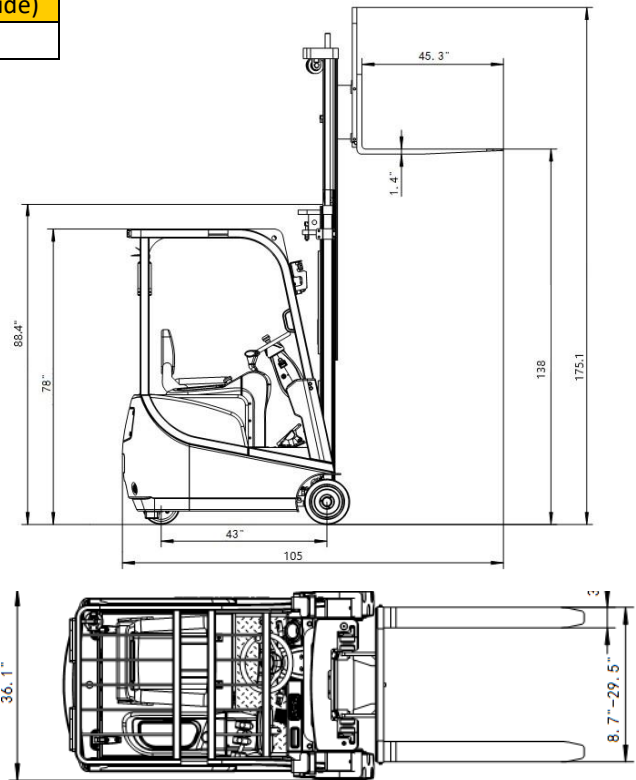
EK13A 3 Wheel Electric Forklift

| Model | | EK13A |
|--|--------|------------------|
| Lift | | Electric |
| Drive | | Electric |
| Load capacity | (lb.) | 3300 |
| Load center distance | (in) | 24 |
| Wheelbase | (in) | 43 |
| Lifting height | (in) | 138 |
| Free lifting height | (in) | 4 |
| Lowered mast height | (in) | 88.4 |
| Mast/Fork carriage tilt forward/backward | (°) | 2/5 |
| Side Shifting Forks | | 3-way valve |
| Overall length | (in) | 105 |
| Overall width | (in) | 36 |
| Fork size, Thick/Width/Length | (in) | 1.4/4/45.3 |
| Fork adjust width | (in) | 8.7-29 |
| Turning radius | (in) | 53 |
| Max gradient performance, laden/unladen | (%) | 6/8 |
| Lift speed, laden/unladen | (in/s) | 4/5.5 |
| Lowering speed, laden/unladen | (in/s) | 5.3/4.7 |
| Charger | (V/A) | 24V/50A |
| Driving Motor | (V/W) | AC 24V/2000W |
| Lifting Motor | (V/W) | 24V/2500W |
| Battery voltage | (V/Ah) | 24V/350Ah (Side) |
| Service Weight | (lb.) | 5200 |

The EKKO EK13A 3 Wheel Electric Forklift is designed for use for small aisles, limited spaces and budget. It is ideal for loading and unloading trucks, loading docks, stock rooms, manufacturing floors and warehousing.

Made from high quality steel and components with durable quality drives to withstand any terrain, usage, impact and directional changes for the use of any application with confidence and assurance.

- Load Capacity 3300 lb.
- Raised Height 138" (11.5ft)
- Side Shifting
- Adjustable Forks 8.7-29"
- Fork Length 45.3"
- Overhead Guard 77"
- EPS (Electric Power Steering)
- Curtis Instrument Controller
- 24V AC Drive Motor
- 24V Lift Motor
- Battery 24V/350Ah
- Solid Wheels
- Ergonomic Handle and Controls
- Steel Construction
- Robotic Welding



EK18RR Stand-up Rider Reach Truck

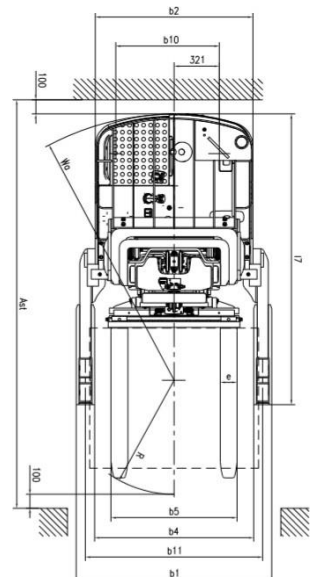
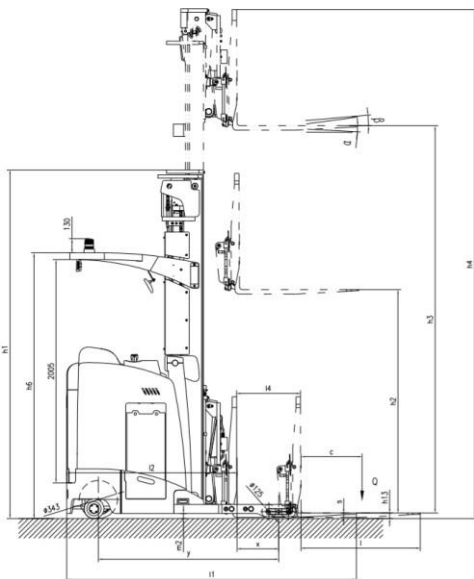


| Model | | EK18RR |
|-------------------------------|--------|--------------|
| Lift | | Electric |
| Drive | | Electric |
| Load capacity | (lb.) | 4000 |
| Load center distance | (in) | 24 |
| Lifting height | (in) | 275 |
| Side Shifting Forks | | 3 Way Valve |
| Free Lift | (in) | 79.92 |
| Lowered mast height | (in) | 123.27 |
| Overall length/Extended | (in) | 102.28 |
| Overall width | (in) | 54.72 |
| Fork size, Thick/Width/Length | (in) | 1.58/4.72/45 |
| Fork adjust width | (in) | 35.04 |
| Reach Distance | (in) | 22.44 |
| Turning radius | (in) | 75 |
| Charger | (V/A) | 48V/65A |
| Driving Motor | (V/W) | 48V/6000 |
| EPS Steering Motor | (V/W) | Yes |
| Lifting Motor | (V/W) | 48V/11000 |
| Battery voltage | (V/Ah) | 48V/420Ah |
| Service Weight | (lb.) | 9330 |

The EK18RR Stand-Up Reach Truck is ideal and designed for narrow aisle with the combination of the versatility of a forklift, reach truck and a walkie stacker. It is ideal for loading and unloading trucks, loading docks, stock rooms, manufacturing floors and warehousing.

Made from high quality steel and components with durable quality drives to withstand any terrain, usage, impact and directional changes for the use of any application with confidence and assurance.

- Load Capacity 4000 lb.
- Side Shifting
- Raised Height 275" (14.75ft)
- Reach Distance of 19.7"
- Free Lift 63"
- Tilt 3/5 Degree
- Adjustable Forks 7.9-33"
- Fork Length 45.3"
- Curtis Instrument Controllers
- EPS (Electronic Power Steering)
- 48V German AC Drive Motor
- 48V Lift Motor
- Battery 48V/420Ah
- Polyurethane Wheels
- Ergonomic Handle and Controls
- Steel Construction
- Robotic Welding
- Charger 48V/65A
- 3 Year Limited Warranty



EK18RRL Stand-up Rider Reach Truck

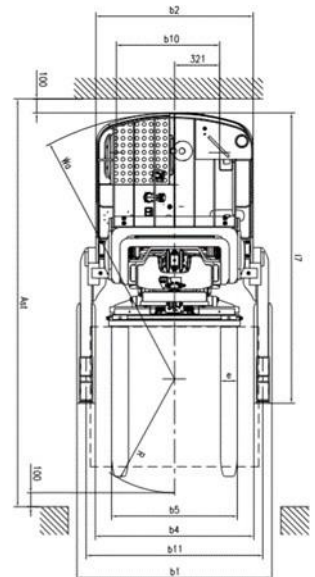
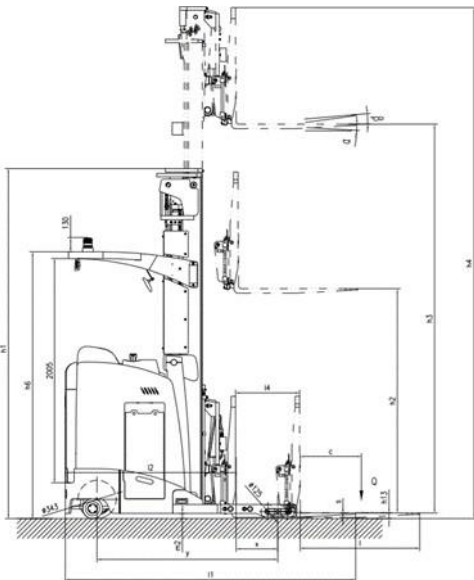
| Model | | EK18RRL |
|-------------------------------|--------|--------------|
| Lift | | Electric |
| Drive | | Electric |
| Load capacity | (lb.) | 4000 |
| Load center distance | (in) | 24 |
| Lifting height | (in) | 196 |
| Side Shifting Forks | | 3 Way Valve |
| Free Lift | (in) | 53.15 |
| Lowered mast height | (in) | 96.42 |
| Overall length/Extended | (in) | 102.28 |
| Overall width | (in) | 54.72 |
| Fork size, Thick/Width/Length | (in) | 1.58/4.72/45 |
| Fork adjust width | (in) | 35.04 |
| Reach Distance | (in) | 22.44 |
| Turning radius | (in) | 75 |
| Charger | (V/A) | 48V/65A |
| Driving Motor | (V/W) | 48V/6000 |
| EPS Steering Motor | (V/W) | Yes |
| Lifting Motor | (V/W) | 48V/11000 |
| Battery voltage | (V/Ah) | 48V/420Ah |
| Service Weight | (lb.) | 9000 |



The EKKO EK18RRL Stand-Up Reach Truck is ideal and designed for narrow aisle with the combination of the versatility of a forklift, reach truck and a walkie stacker. It is ideal for loading and unloading trucks, loading docks, stock rooms, manufacturing floors and warehousing.

Made from high quality steel and components with durable quality drives to withstand any terrain, usage, impact and directional changes for the use of any application with confidence and assurance.

- Load Capacity 4000 lb.
- Side Shifting
- Raised Height 275" (14.75ft)
- Reach Distance of 19.7"
- Free Lift 63"
- Tilt 3/5 Degree
- Adjustable Forks 7.9-33"
- Fork Length 45.3"
- Curtis Instrument Controllers
- EPS (Electronic Power Steering)
- 48V German AC Drive Motor
- 48V Lift Motor
- Battery 48V/420Ah
- Polyurethane Wheels
- Ergonomic Handle and Controls
- Steel Construction
- Robotic Welding
- Charger 48V/65A
- 3 Year Limited Warranty



ER15 Walkie Reach Truck

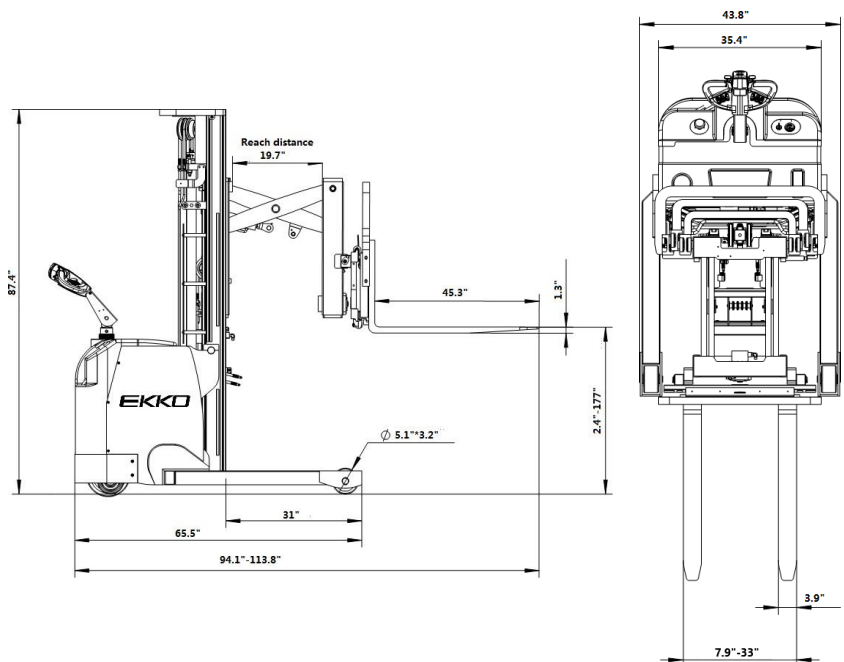


| Model | | ER15 |
|-------------------------------|--------|---------------|
| Lift | | Electric |
| Drive | | Electric |
| Load capacity | (lb.) | 3300 |
| Load center distance | (in) | 24 |
| Lifting height | (in) | 177 |
| Side Shifting Forks | | 3 Way Valve |
| Free Lift | (in) | 63 |
| Lowered mast height | (in) | 87.4 |
| Overall length/Extended | (in) | 94/113.8 |
| Overall width | (in) | 43.8 |
| Fork size, Thick/Width/Length | (in) | 1.38/3.9/45.3 |
| Fork adjust width | (in) | 7.9-33 |
| Reach Distance | (in) | 19.7 |
| Turning radius | (in) | 64 |
| Charger | (V/A) | 24V/40A |
| Driving Motor | (V/W) | AC 24V/3kw |
| EPS Steering Motor | (V/W) | 24/200W |
| Lifting Motor | (V/W) | 24V/3000W |
| Battery voltage | (V/Ah) | 24V/350Ah |
| Service Weight | (lb.) | 5500 |

The EKKO ER15 Walkie Reach Truck is designed with the combination of the versatility of a forklift, reach truck and a walkie stacker. It is ideal for loading and unloading trucks, loading docks, stock rooms, manufacturing floors and warehousing.

Made from high quality steel and components with durable quality drives to withstand any terrain, usage, impact and directional changes for the use of any application with confidence and assurance.

- Load Capacity 3300 lb.
- Side Shifting
- Raised Height 177" (14.75ft)
- Reach Distance of 19.7"
- Free Lift 63"
- Tilt 3/5 Degree
- Adjustable Forks 7.9-33"
- Fork Length 45.3"
- Curtis Instrument Controllers
- EPS (Electronic Power Steering)
- 24V AC Drive Motor
- 24V Lift Motor
- Battery 24V/350Ah
- Polyurethane Wheels
- Ergonomic Handle and Controls
- Steel Construction
- Robotic Welding
- Charger 24V/40A
- 3 Year Limited Warranty



ER15L Walkie Reach Truck

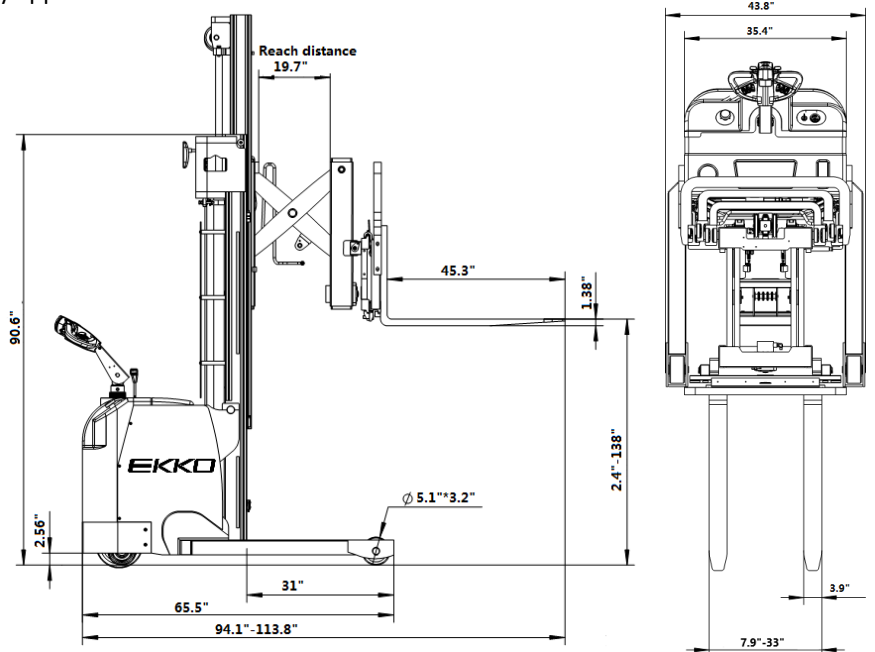


| Model | | ER15L |
|-------------------------------|--------|---------------|
| Lift | | Electric |
| Drive | | Electric |
| Load capacity | (lb.) | 3300 |
| Load center distance | (in) | 24 |
| Lifting height | (in) | 138 |
| Side Shifting Forks | | 3 Way Valve |
| Free Lift | (in) | N/A |
| Lowered mast height | (in) | 90.5 |
| Overall length/Extended | (in) | 94/113.8 |
| Overall width | (in) | 43.8 |
| Fork size, Thick/Width/Length | (in) | 1.38/3.9/45.3 |
| Fork adjust width | (in) | 7.9-33 |
| Reach Distance | (in) | 19.7 |
| Turning radius | (in) | 64 |
| Charger | (V/A) | 24V/50A |
| Driving Motor | (V/W) | AC 24V/3kw |
| EPS Steering Motor | (V/W) | 24/200W |
| Lifting Motor | (V/W) | 24V/3000W |
| Battery voltage | (V/Ah) | 24V/350Ah |
| Service Weight | (lb.) | 4800 |

The EKKO ER15L Walkie Reach Truck is designed with the combination of the versatility of a forklift, reach truck and a walkie stacker. It is ideal for loading and unloading trucks, loading docks, stock rooms, manufacturing floors and warehousing.

Made from high quality steel and components with durable quality drives to withstand any terrain, usage, impact and directional changes for the use of any application with confidence and assurance.

- Load Capacity 3300 lb.
- Side Shifting
- Raised Height 138" (11.50ft)
- Reach Distance of 19.7"
- Tilt 3/5 Degree
- Adjustable Forks 7.9-33"
- Fork Length 45.3"
- Curtis Instrument Controllers
- EPS (Electronic Power Steering)
- 24V AC Drive Motor
- 24V Lift Motor
- Battery 24V/350Ah
- Polyurethane Wheels
- Ergonomic Handle and Controls
- Steel Construction
- Robotic Welding
- Charger 24V/40A
- 3 Year Limited Warranty



EH15TH Moving Mast Walkie Reach Truck

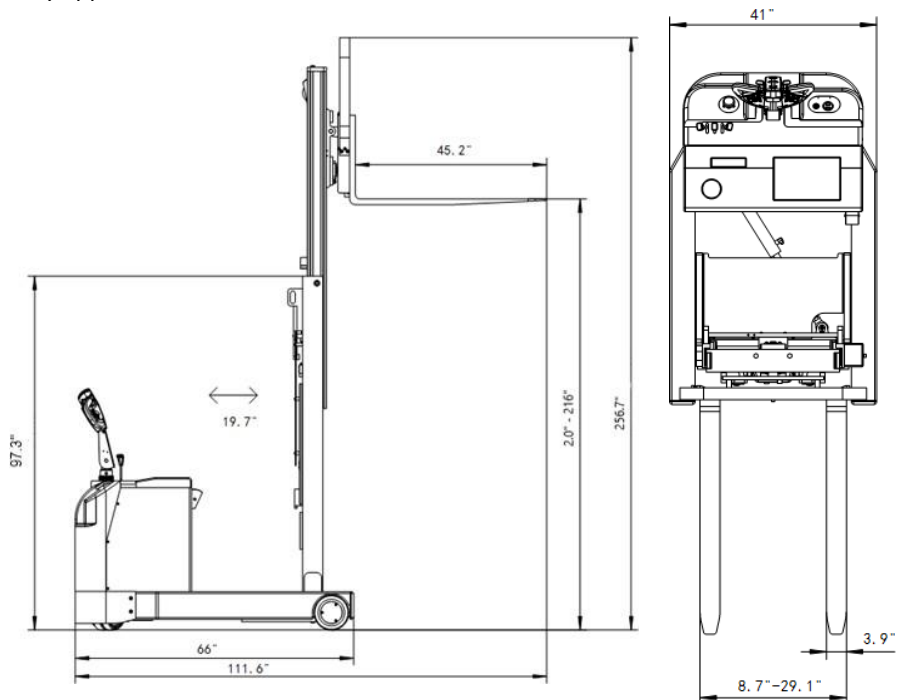


| Model | | EH15TH |
|-------------------------------|--------|--------------|
| Lift | | Electric |
| Drive | | Electric |
| Load capacity | (lb.) | 3300 |
| Load center distance | (in) | 24 |
| Lifting height | (in) | 216 |
| Free Lift | (in) | 68" |
| Lowered mast height | (in) | 97.3 |
| Overall length | (in) | 111.6 |
| Overall width | (in) | 41 |
| Fork size, Thick/Width/Length | (in) | 1.4/4/45.2 |
| Fork adjust width | (in) | 8.7-28 |
| Reach Distance | (in) | 19.7 |
| Turning radius | (in) | 67 |
| Charger | (V/A) | 24V/50A |
| Driving Motor | (V/W) | AC 24V/2.5kw |
| EPS Steering Motor | (V/W) | 24/200W |
| Lifting Motor | (V/W) | 24V/3000W |
| Battery voltage | (V/Ah) | 24V/400Ah |
| Service Weight | (lb.) | 4915 |

The EKKO EH15TH Moving Mast Walkie Reach Truck is designed with the combination of the versatility of a forklift, reach truck and a walkie stacker. It is ideal for loading and unloading trucks, loading docks, stock rooms, manufacturing floors and warehousing.

Made from high quality steel and components with durable quality drives to withstand any terrain, usage, impact and directional changes for the use of any application with confidence and assurance.

- Load Capacity 3300 lb.
- Raised Height 216" (18ft)
- Reach Distance of 19.7"
- Free Lift 68"
- Adjustable Forks 8.7-29.7"
- Fork Length 45.2"
- Curtis Instrument Controllers
- EPS (Electronic Power Steering)
- 24V AC Drive Motor
- 24V Lift Motor
- Battery 24V/400Ah
- Polyurethane Wheels
- Ergonomic Handle and Controls
- Steel Construction
- Robotic Welding
- Charger
- 3 Year Limited Warranty



EH15T Moving Mast Walkie Reach Truck

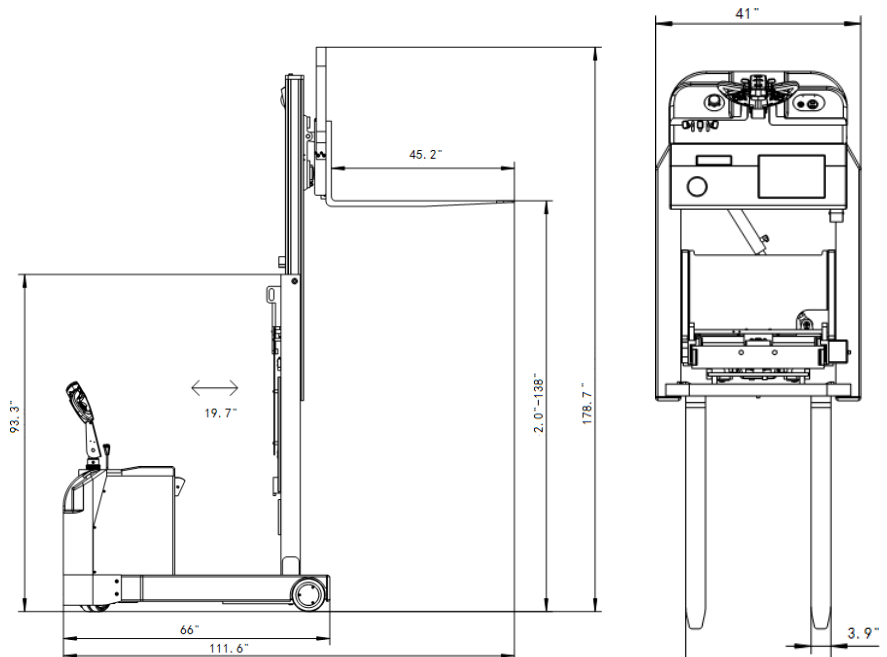


| Model | | EH15T |
|-------------------------------|--------|--------------|
| Lift | | Electric |
| Drive | | Electric |
| Load capacity | (lb.) | 3300 |
| Load center distance | (in) | 24 |
| Lifting height | (in) | 138 |
| Lowered mast height | (in) | 93.3 |
| Overall length | (in) | 111.6 |
| Overall width | (in) | 41 |
| Fork size, Thick/Width/Length | (in) | 1.4/4/45.2 |
| Fork adjust width | (in) | 8.7-28 |
| Reach Distance | (in) | 19.7 |
| Turning radius | (in) | 67 |
| Charger | (in) | 24V/40A |
| Driving Motor | (V/A) | AC 24V/2500W |
| Steering Motor | (V/W) | 24V/200W |
| Lifting Motor | (V/W) | 24V/3000W |
| Battery voltage | (V/Ah) | 24V/270Ah |
| Service Weight | (lb.) | 4200 |

The EKKO EH15T Moving Mast Walkie Reach Truck is designed with the combination of the versatility of a forklift, reach truck and a walkie stacker. It is ideal for loading and unloading trucks, loading docks, stock rooms, manufacturing floors and warehousing.

Made from high quality steel and components with durable quality drives to withstand any terrain, usage, impact and directional changes for the use of any application with confidence and assurance.

- Load Capacity 3300 lb.
- Raised Height 138" (11.5ft)
- Reach Distance of 19.7"
- Adjustable Forks 8.7-29.1"
- Fork Length 45.3"
- Curtis Instrument Controllers
- EPS (Electronic Power Steering)
- 24V AC Drive Motor
- 24V Lift Motor
- Battery 24V/270Ah
- Polyurethane Wheels
- Ergonomic Handle and Controls
- Steel Construction
- Robotic Welding
- Charger
- 3 Year Limited Warranty



EK14S-130 Counterbalanced Stacker

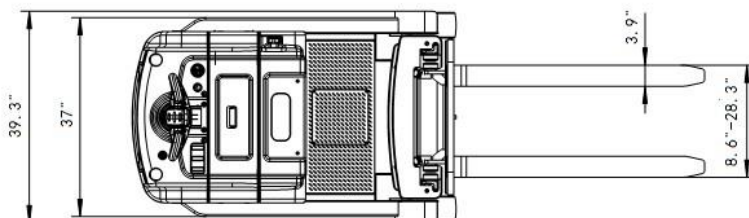
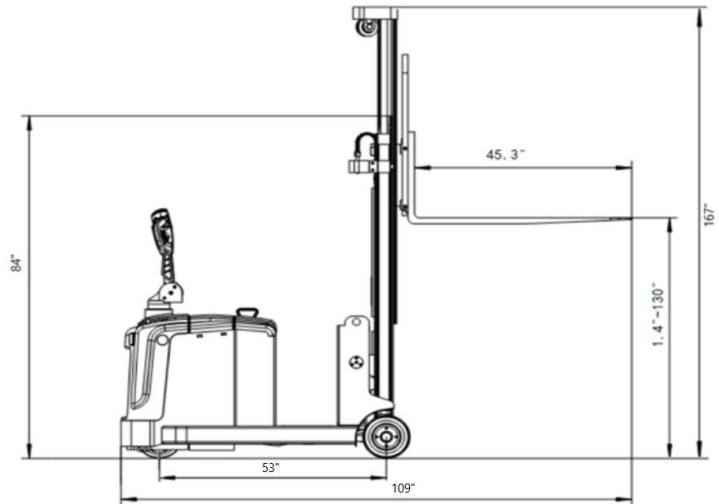
The EKKO EK14S-130 Fully Powered Counterbalanced Walkie Stacker is designed with the combination of the versatility of a forklift and a walkie stacker. It is ideal for loading and unloading trucks, loading docks, stock rooms, manufacturing floors and warehousing.

Made from high quality steel and components with durable quality drives to withstand any terrain, usage, impact and directional changes for the use of any application with confidence and assurance.

- Load Capacity 3300 lb.
- Raised Height 130" (10.8ft)
- **Side-shifting**
- Adjustable Forks 8.6-28.3"
- Tilt 2/5 degree
- Fork Length 45.3"
- Curtis Instrument Controller
- EPS (Electronic Power Steering)
- 24V ZF AC Drive Motor
- 24V Lift Motor
- Polyurethane Wheels
- Ergonomic Handle and Controls
- Steel Construction
- Robotic Welding
- 3 Year Limited Warranty



| Model | | EK14S-130 |
|-------------------------------------|--------|------------------|
| Lift | | Electric |
| Drive | | Electric |
| Load capacity | (lb.) | 3300 |
| Load center distance | (in) | 24 |
| Wheelbase | (in) | 47 |
| Lifting height | (in) | 130 |
| Side Shift | | 3 Way Valve |
| Lowered mast height | (in) | 84 |
| Extended mast height | (in) | 167 |
| Mast Carriage Tilt | (°) | 2/5 |
| Overall length | (in) | 109 |
| Overall width | (in) | 39 |
| Fork size, Thick/Width/Length | (in) | 1.4/4/45.3 |
| Fork adjust width | (in) | 8.6-28.3 |
| Turning radius | (in) | 57 |
| Gradient performance, laden/unladen | (%) | 6/10 |
| Lift speed, laden/unladen | (in/s) | 4/5.1 |
| Lowering speed, laden/unladen | (in/s) | 5.3/4.7 |
| Charger | (V/A) | 24V/30A |
| Driving Motor | (V/W) | AC 24V/2500W |
| Lifting Motor | (V/W) | 24V/2500W |
| EPS Steering Motor | (V/W) | 24/200W |
| Battery voltage | (V/Ah) | 24V/210Ah (Side) |
| Service Weight | (lb.) | 3840 |



EK13S-177 Counterbalanced Stacker

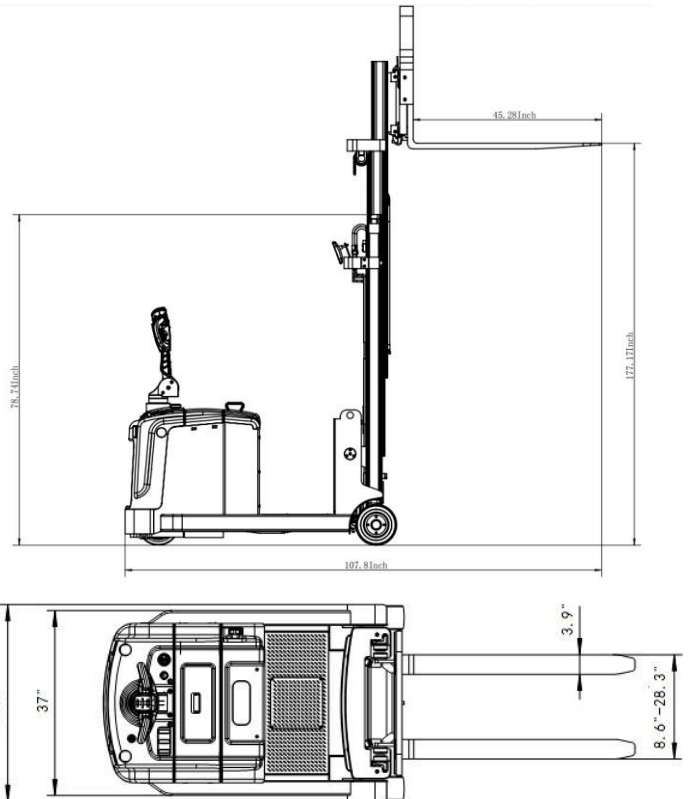
The EKKO EK13S-177 Fully Powered Counterbalanced Walkie Stacker is designed with the combination of the versatility of a forklift and a walkie stacker. It is ideal for loading and unloading trucks, loading docks, stock rooms, manufacturing floors and warehousing.

Made from high quality steel and components with durable quality drives to withstand any terrain, usage, impact and directional changes for the use of any application with confidence and assurance.

- Load Capacity 2860 lb.
- Raised Height 177" (14.75ft)
- **Side-shifting**
- Adjustable Forks 8.6-28.3"
- Tilt 2/5 degree
- Fork Length 45.3"
- Curtis Instrument Controller
- EPS (Electronic Power Steering)
- 24V ZF AC Drive Motor
- 24V Lift Motor
- Polyurethane Wheels
- Ergonomic Handle and Controls
- Steel Construction
- Robotic Welding
- 3 Year Limited Warranty



| Model | | EK13S-177 |
|--|--------|---------------------|
| Lift | | Electric |
| Drive | | Electric |
| Load capacity | (lb.) | 2860 |
| Load center distance | (in) | 24 |
| Wheelbase | (in) | 46.81 |
| Lifting height | (in) | 177 |
| Side Shift | | 3 Way Valve |
| Lowered mast height | (in) | 78.74 |
| Extended mast height | (in) | 214.53 |
| Mast Carriage Tilt | (°) | 2/5 |
| Overall length | (in) | 107.8 |
| Overall width | (in) | 39 |
| Fork size, Thick/Width/Length | (in) | 1.4/4/45.3 |
| Fork adjust width | (in) | 8.6-28.3 |
| Turning radius | (in) | 56.89 |
| Gradient performance, laden/unladen | (%) | 6/8 |
| Lift speed, laden/unladen | (in/s) | 3.9/4.7 |
| Lowering speed, laden/unladen | (in/s) | 5.3/4.7 |
| Charger | (V/A) | 24V/30A |
| Driving Motor | (V/W) | AC 24V/2500W |
| Lifting Motor | (V/W) | 24V/2500W |
| EPS Steering Motor | (V/W) | 24/200W |
| Battery voltage | (V/Ah) | 24V/210Ah (Side) |
| Service Weight | (lb.) | 4070 |



EK14-138 Counterbalanced Stacker

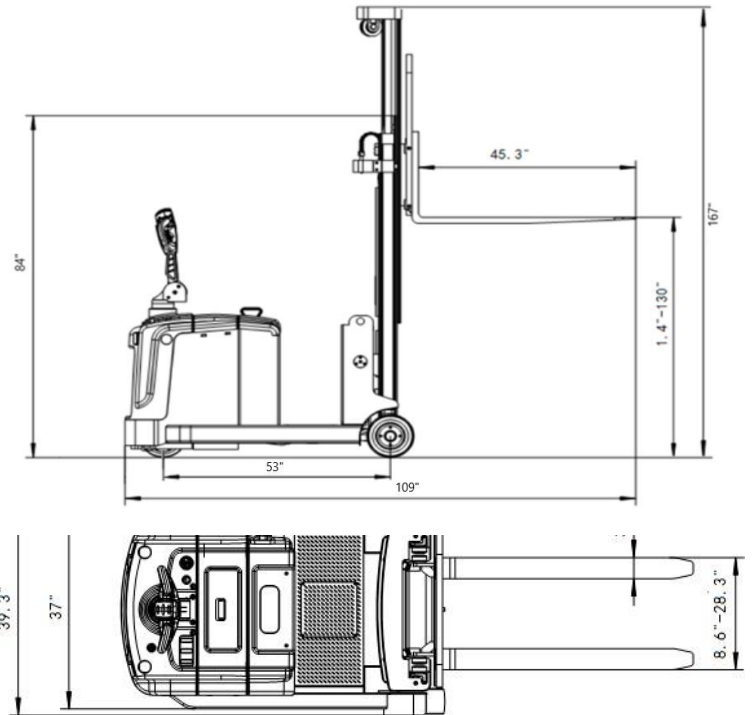
The EKKO EK14-130 Fully Powered Counterbalance Walkie Stacker is designed with the combination of the versatility of a forklift and a walkie stacker. It is ideal for loading and unloading trucks, loading docks, stock rooms, manufacturing floors and warehousing.

Made from high quality steel and components with durable quality drives to withstand any terrain, usage, impact and directional changes for the use of any application with confidence and assurance.

- Load Capacity 3300 lb.
- Raised Height 138" (10.8ft)
- Adjustable Forks 8.6-28.3"
- Tilt 2/5 degree
- Fork Length 45.3"
- Curtis Instrument Controller
- EPS (Electronic Power Steering)
- 24V ZF AC Drive Motor
- 24V Lift Motor
- Polyurethane Wheels
- Ergonomic Handle and Controls
- Steel Construction
- Robotic Welding
- 3 Year Limited Warranty



| Model | | EK14-138 |
|--|--------|--------------|
| Lift | | Electric |
| Drive | | Electric |
| Load capacity | (lb.) | 3300 |
| Load center distance | (in) | 24 |
| Wheelbase | (in) | 47 |
| Lifting height | (in) | 138 |
| Lowered mast height | (in) | 84 |
| Extended mast height | (in) | 167 |
| Mast/Fork carriage tilt forward/backward | (°) | 2/5 |
| Overall length | (in) | 109 |
| Overall width | (in) | 39 |
| Fork size, Thick/Width/Length | (in) | 1.4/4/45.3 |
| Fork adjust width | (in) | 8.6-28.3 |
| Turning radius | (in) | 57 |
| Gradient laden/unladen | (%) | 6/10 |
| Lift speed, laden/unladen | (in/s) | 4/5.1 |
| Lowering speed, laden/unladen | (in/s) | 5.3/4.7 |
| Charger | (V/A) | 24V/30A |
| Driving Motor | (V/W) | AC 24V/2500W |
| Lifting Motor | (V/W) | 24V/2500W |
| EPS Steering Motor | (V/W) | 24/200W |
| Battery voltage | (V/Ah) | 24V/210Ah |
| Service Weight | (lb.) | 3840 |

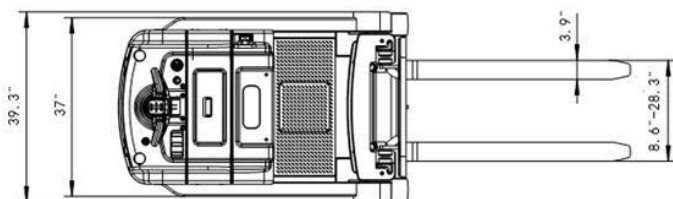
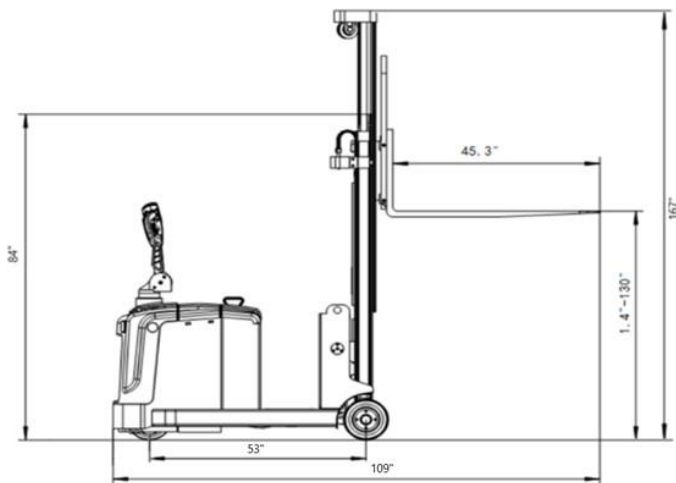


EK14 Counterbalance Stacker

The EKKO EK14 Fully Powered Counterbalance Walkie Stacker is designed with the combination of versatility of a forklift and a walkie stacker. It is ideal for loading and unloading trucks, loading docks, stock rooms, manufacturing floors and warehousing.

Made from high quality steel and Components with durable quality drives to withstand any terrain, usage, impact and directional changes for the use of any application with confidence and assurance.

- Load Capacity 3300 lb.
- Raised Height 118" (9.83ft)
- Adjustable Forks 8.6-28.3"
- Tilt 2/5 degree
- Fork Length 45.3"
- Curtis Instrument Controller
- EPS (Electronic Power Steering)
- 24V AC Drive Motor
- 24V Lift Motor
- Polyurethane Wheels
- Ergonomic Handle and Controls
- Steel Construction
- Robotic Welding
- 3 Year Limited Warranty



| Model | | EK14 |
|--|--------|--------------|
| Lift | | Electric |
| Drive | | Electric |
| Load capacity | (lb.) | 3300 |
| Load center distance | (in) | 24 |
| Wheelbase | (in) | 47 |
| Lifting height | (in) | 118 |
| Lowered mast height | (in) | 78 |
| Extended mast height | (in) | 155 |
| Mast/Fork carriage tilt forward/backward | (°) | 2/5 |
| Overall length | (in) | 109 |
| Overall width | (in) | 39 |
| Fork size, Thick/Width/Length | (in) | 1.4/4/45.3 |
| Fork adjust width | (in) | 8.6-28.3 |
| Turning radius | (in) | 57 |
| Gradient laden/unladen | (%) | 6/10 |
| Lift speed, laden/unladen | (in/s) | 4/5.1 |
| Lowering speed, laden/unladen | (in/s) | 5.3/4.7 |
| Charger | (V/A) | 24V/30A |
| Driving Motor | (V/W) | AC 24V/2500W |
| Lifting Motor | (V/W) | 24V/2500W |
| EPS Steering Motor | (V/W) | 24/200W |
| Battery voltage | (V/Ah) | 24V/210Ah |
| Service Weight | (lb.) | 3740 |

EK07S Counterbalance Walkie Stacker

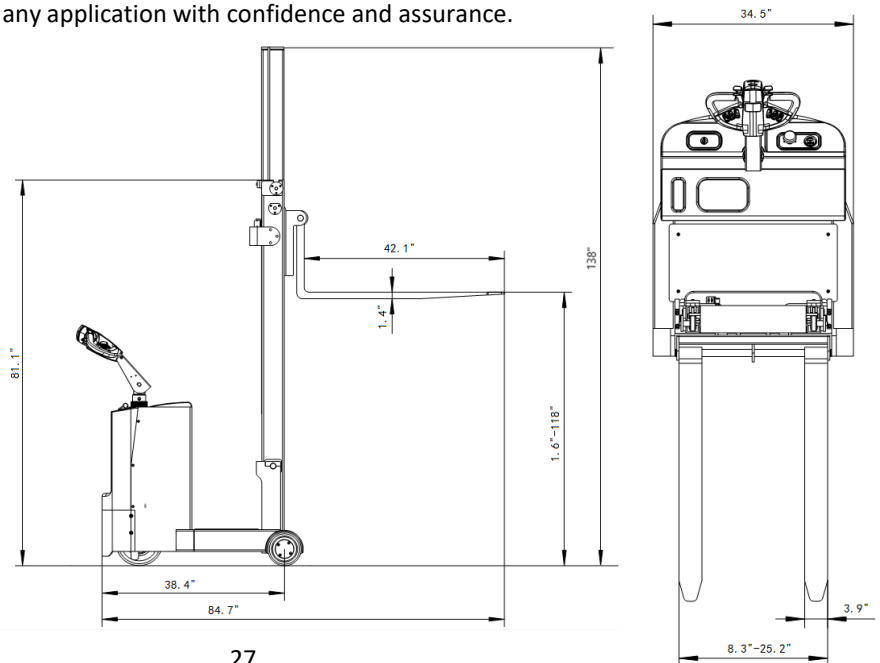


| Model | | EK07S |
|----------------------------------|--------|-------------|
| Lift | | Electric |
| Drive | | Electric |
| Load capacity | (lb.) | 1550 |
| Load center distance | (in) | 20 |
| Lifting height | (in) | 118 |
| Lowered mast height | (in) | 81.1 |
| Overall length | (in) | 84.7 |
| Overall width | (in) | 34.5 |
| Fork size, Thick/Width/Length | (in) | 1.4/2.9/42 |
| Fork adjust width | (in) | 8.3-25.2 |
| Turning radius | (in) | 51 |
| Charger | (V/A) | 24V/20A |
| Driving Motor | (V/W) | AC 24V/750W |
| Lifting Motor | (V/W) | 24V/1500W |
| Battery voltage | (V/Ah) | 24V/120Ah |
| Service Weight | (lb.) | 2175 |

The EK07S Fully Powered Counterbalance Walkie Stacker is designed with the combination of the versatility of a forklift and a walkie stacker. It is ideal for loading and unloading trucks, loading docks, stock rooms, manufacturing floors and warehousing.

Made from high quality steel and components with durable quality drives to withstand any terrain, usage, impact and directional changes for the use of any application with confidence and assurance.

- Load Capacity 1550 lb.
- Raised Height 118" (9.83ft)
- Adjustable Forks 8.3-25.2"
- Fork Length 42"
- Curtis Instrument Controller
- 24V AC Drive Motor
- 24V Lift Motor
- Polyurethane Wheels
- Ergonomic Handle and Controls
- Steel Construction
- Robotic Welding
- 3 Year Limited Warranty



EB16EAS-189LI Lithium-Iron Walkie Stacker

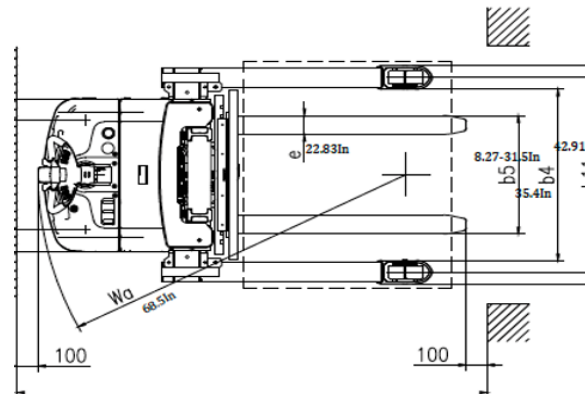
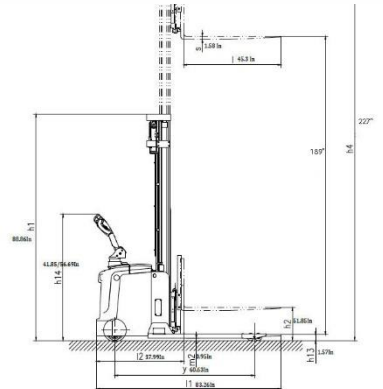
The EKKO EB16EAS-189LI Electric Straddle Stacker is designed with the combination of the versatility of a forklift, reach truck and a walkie stacker with SIDE-SHIFTING capabilities. It is ideal for loading and unloading trucks, loading docks, stock rooms, manufacturing floors and warehousing.

Made from high quality steel and components with durable quality drives to withstand any terrain, usage, impact and directional changes for the use of any application with confidence and assurance.

- Load Capacity 4400 lb.
- Raised Height 189"
- Side-Shift
- Adjustable Forks 8.27-31.5"
- Adjustable Legs 38.06-51.8"
- Fork Length 45.3"
- Free Lift 51.85"
- EPS (Electric Power Steering)
- Curtis Instrument Controller
- 24V Center AC Drive Motor
- 24V Lift Motor
- Triple Mast
- Battery 24V/210Ah
- Ergonomic Handle and Controls
- Steel Construction
- Robotic Welding
- 3 Year Limited Warranty



| Model | | EB16EAS-189LI |
|-------------------------|--------|---|
| Load capacity | (lb.) | 4400 |
| The max. lifting height | (in) | 189 |
| Load center distance | (in) | 23.62 |
| Free Lift | (in) | 51.85 |
| EPS (Elec. Power Steer) | | Yes |
| Fork length | (in) | 45.28 |
| Single fork width | (in) | 4.7 |
| Overall fork width | (in) | 8.27-31.5 |
| Lowered fork height | (in) | 1.57 |
| Fixed leg length | (in) | 42 |
| Adjustable legs | (in) | 38.06-51.81 |
| Turning radius | (in) | 68.5 |
| Overall length | (in) | 83.26 |
| Max width | (in) | 46.93-60.71 |
| Extended mast height | (in) | 227 |
| Lowered mast height | (in) | 88.86 |
| Battery voltage | (V/Ah) | 24/150Ah Li |
| Charger | (V/A) | 24V/30A |
| Lifting Motor | (W) | 3000 Watt, Lift speed, laden/unladen:95/160m/s Lowering speed, laden/unladen:130/110mm/s |
| AC Driving Motor | (W) | 3000 Watt, Driving speed: laden/unladen: 5.2/5.5km/h |
| Service Weight | (lb.) | 3520 |



EB16EA Full Powered Walkie Stacker

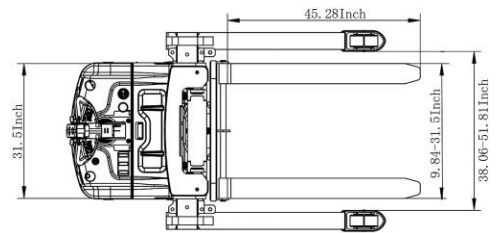
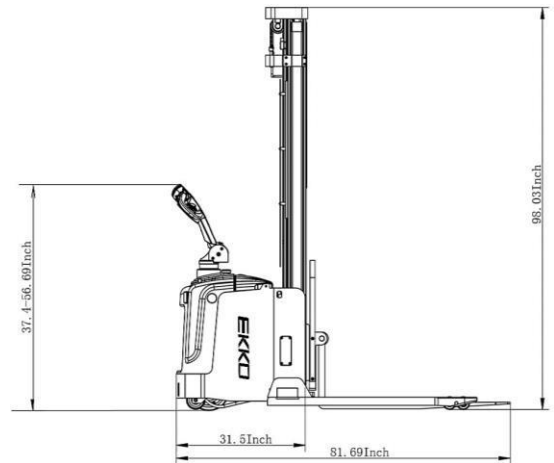
The EKKO EB16EA Electric Straddle Stacker is designed with the combination of the versatility of a forklift, walkie stacker. It is ideal for loading and unloading trucks, loading docks, stock rooms, manufacturing floors and warehousing.

Made from high quality steel and components with durable quality drives to withstand any terrain, usage, impact and directional changes for the use of any application with confidence and assurance.

- Load Capacity 4400 lb.
- Raised Height 216"
- Adjustable Forks 9.8-31.5"
- Adjustable Legs 38.06-51.8"
- Fork Length 45.28"
- Free Lift 76.25"
- EPS (Electric Power Steering)
- Curtis Instrument Controller
- 24V Center AC Drive Motor
- 24V Lift Motor
- Triple Mast
- Battery 24V/210Ah
- Polyurethane Wheels
- Ergonomic Handle and Controls
- Steel Construction
- Robotic Welding
- 3 Year Limited Warranty



| Model | | EB16EA |
|-------------------------|--------|---|
| Load capacity | (lb.) | 4400 |
| The max. lifting height | (in) | 216 |
| Load center distance | (in) | 24 |
| Free Lift | (in) | 76.25 |
| EPS (Elec. Power Steer) | | Yes |
| Fork length | (in) | 45.28 |
| Single fork width | (in) | 4.7 |
| Overall fork width | (in) | 9.8-31.5 |
| Lowered fork height | (in) | 1.58 |
| Fixed leg length | (in) | 42 |
| Adjustable legs | (in) | 38.06-51.81 |
| Turning radius | (in) | 69.09 |
| Overall length | (in) | 81.69 |
| Max width | (in) | 46.93-60.71 |
| Extended mast height | (in) | 253.15 |
| Lowered mast height | (in) | 98.03 |
| Battery voltage | (V/Ah) | 24/210Ah |
| Charger | (V/A) | 24V/30A |
| Lifting Motor | (W) | 3000 Watt, Lift speed, laden/unladen:95/160m/s Lowering speed, laden/unladen:130/110mm/s |
| AC Driving Motor | (W) | 3000 Watt, Driving speed: laden/unladen: 5.2/5.5km/h |
| Service Weight | (lb.) | 3542 |



EB20E Full Powered Walkie Stacker

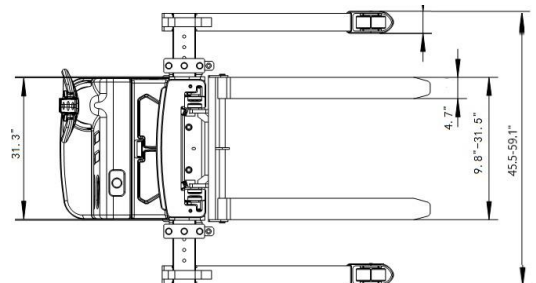
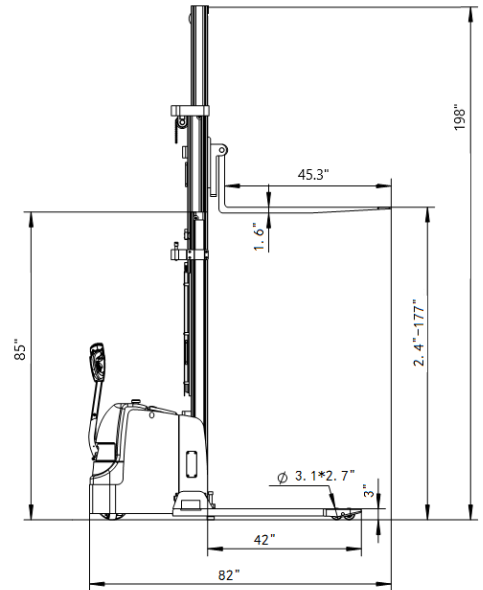
The EKKO EB20E Electric Straddle Stacker is designed with the combination of the versatility of a forklift, reach truck and a walkie stacker. It is ideal for loading and unloading trucks, loading docks, stock rooms, manufacturing floors and warehousing.

Made from high quality steel and components with durable quality drives to withstand any terrain, usage, impact and directional changes for the use of any application with confidence and assurance.

- Load Capacity 4400 lb.
- Raised Height 177"
- Adjustable Forks 9.8-31.5"
- Adjustable Legs 45.5-59.1"
- Fork Length 45.3"
- Curtis Instrument Controller
- 24V AC Drive Motor
- 24V Lift Motor
- Triple Mast
- Battery 24V/210Ah
- Polyurethane Wheels
- Ergonomic Handle and Controls
- Steel Construction
- Robotic Welding
- 3 Year Limited Warranty



| Model | | EB20E |
|-------------------------|--------|---|
| Load capacity | (lb.) | 4400 |
| The max. lifting height | (in) | 177 |
| Load center distance | (in) | 24 |
| Fork length | (in) | 45.3 |
| Single fork width | (in) | 4.7 |
| Overall fork width | (in) | 9.8-31.5 |
| Lowered fork height | (in) | 3 |
| Fixed leg length | (in) | 42 |
| Adjustable legs | (in) | 45.5-59.1 |
| Turning radius | (in) | 60 |
| Overall length | (in) | 85 |
| Max width | (in) | 61 |
| Extended mast height | (in) | 198 |
| Lowered mast height | (in) | 85 |
| Battery voltage | (V/Ah) | 24/210Ah |
| The charger | (V/A) | 24V/30A |
| Lifting Motor | (V/W) | 3000W, Lift speed, laden/unladen:92/136mm/s Lowering speed, laden/unladen:112/98mm/s |
| Driving Motor | (W) | 1500W, Driving speed: laden/unladen:4.0/4.2km/h |
| Service Weight | (lb.) | 2800 |



EB18E Full Powered Walkie Stacker

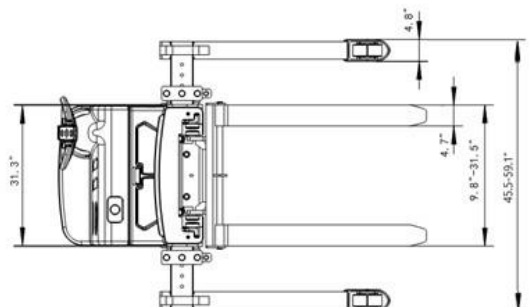
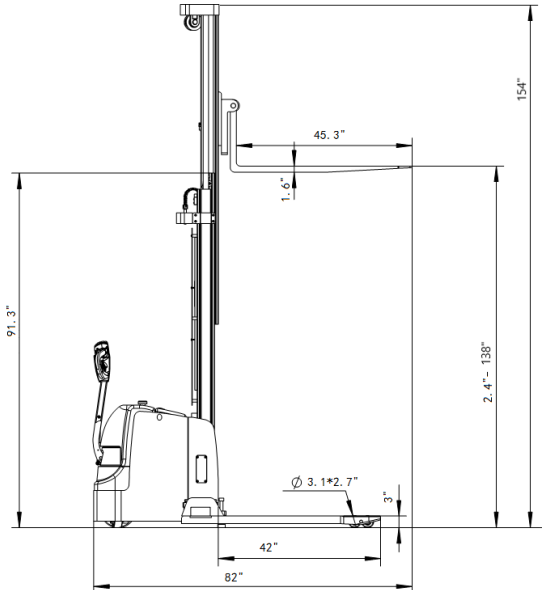
The EKKO EB18E Electric Straddle Stacker is designed with the combination of the versatility of a forklift, reach truck and a walkie stacker. It is ideal for loading and unloading trucks, loading docks, stock rooms, manufacturing floors and warehousing.

Made from high quality steel and components with durable quality drives to withstand any terrain, usage, impact and directional changes for the use of any application with confidence and assurance.

- Load Capacity 4000 lb.
- Raised Height 138"
- Adjustable Forks 9.8-31.5"
- Adjustable Legs 45.5-59.1"
- Fork Length 45.3"
- Curtis Instrument Controller
- 24V AC Drive Motor
- 24V Lift Motor
- Battery 24V/160Ah
- Polyurethane Wheels
- Ergonomic Handle and Controls
- Steel Construction
- Robotic Welding
- 3 Year Limited Warranty



| Model | | EB18E |
|-------------------------|--------|---|
| Load capacity | (lb.) | 4000 |
| The max. lifting height | (in) | 138 |
| Load center distance | (in) | 24 |
| Fork length | (in) | 45.3 |
| Single fork width | (in) | 4.7 |
| Overall fork width | (in) | 9.8-31.5 |
| Lowered fork height | (in) | 2.35 |
| Fixed leg length | (in) | 36.5 |
| Adjustable legs | (in) | 45.5-59.1 |
| Turning radius | (in) | 60 |
| Overall length | (in) | 82 |
| Max width | (in) | 61 |
| Extended mast height | (in) | 154 |
| Lowered mast height | (in) | 91.3 |
| Battery voltage | (V/Ah) | 2x12V/160Ah |
| The charger | (V/A) | 24V/20A |
| Lifting Motor | (W) | 3000 Watt, Lift speed, laden/unladen:92/136mm/s Lowering speed, laden/unladen:112/98mm/s |
| Driving Motor | (W) | 1500 Watt, Driving speed: laden/unladen:4.0/4.2km/h |
| Service Weight | (lb.) | 2100 |

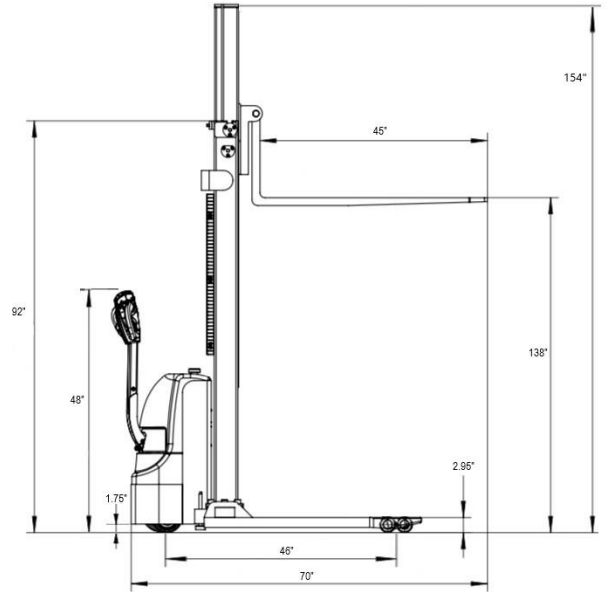


EB13E-138 Full Powered Walkie Stacker

The EKKO EB13E-138 Electric Straddle Stacker is designed with the combination of the versatility of a forklift, reach truck and a walkie stacker. It is ideal for loading and unloading trucks, loading docks, stock rooms, manufacturing floors and warehousing.

Made from high quality steel and components with durable quality drives to withstand any terrain, usage, impact and directional changes for the use of any application with confidence and assurance.

- Load Capacity 2800 lb.
- Raised Height 138"
- Adjustable Forks 8.3-33.5"
- Adjustable Legs 45.7-59.1"
- Fork Length 45.3"
- Curtis Instrument Controller
- **24V Center Drive Motor**
- 24V Lift Motor
- Battery 2*12V/100Ah
- Polyurethane Wheels
- Ergonomic Handle and Controls
- Steel Construction
- Robotic Welding
- 3 Year Limited Warranty



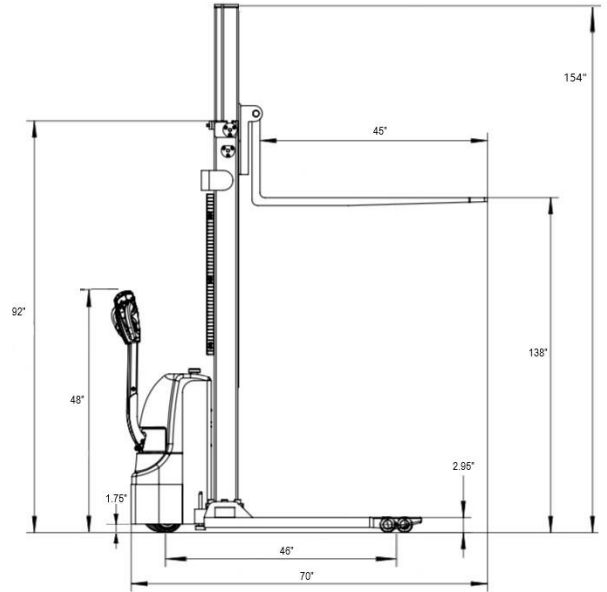
| Model | | EB13E-138 |
|------------------------------|-------|---|
| Load capacity | (lb.) | 2800 |
| The max. lifting height | (in) | 138" |
| Load center distance | (in) | 24 |
| Fork length | (in) | 45.3 |
| Single fork width | (in) | 4 |
| Overall fork width | (in) | 8.3-33.5 |
| Lowered fork height | (in) | 2.35 |
| Fixed leg length | (in) | 36.5 |
| Adjustable legs | (in) | 45.5-59.1 |
| Turning radius | (in) | 52.6 |
| Overall length | (in) | 70 |
| Max Overall width | (in) | 61 |
| Extended mast height | (in) | 154 |
| Lowered mast height | (in) | 92 |
| Battery voltage (dimensions) | (in) | 2×12V/100AH (10/6.6/8.5) |
| Internal Charger | (V/A) | 24V/15A |
| Lifting Motor | (V/W) | 2000 Watt, Lift speed, laden/unladen:92/136mm/s Lowering speed, laden/unladen:112/98mm/s |
| Driving Motor | (W) | 750 Watt, Driving speed: laden/unladen:4.0/4.2km/h |
| Service Weight | (lb.) | 1450 |

EB13E Full Powered Walkie Stacker

The EKKO EB13E Electric Straddle Stacker is designed with the combination of the versatility of a forklift, reach truck and a walkie stacker. It is ideal for loading and unloading trucks, loading docks, stock rooms, manufacturing floors and warehousing.

Made from high quality steel and components with durable quality drives to withstand any terrain, usage, impact and directional changes for the use of any application with confidence and assurance.

- Load Capacity 2800 lb.
- Raised Height 119"
- Adjustable Forks 8.3-33.5"
- Adjustable Legs 45.7-59.1"
- Fork Length 45.3"
- Curtis Instrument Controller
- **24V Center Drive Motor**
- 24V Lift Motor
- Battery 2*12V/100Ah
- Polyurethane Wheels
- Ergonomic Handle and Controls
- Steel Construction
- Robotic Welding
- 3 Year Limited Warranty



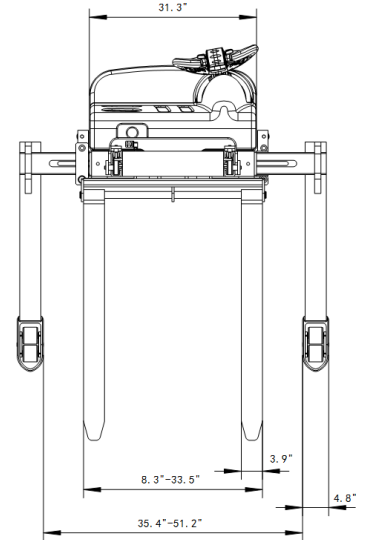
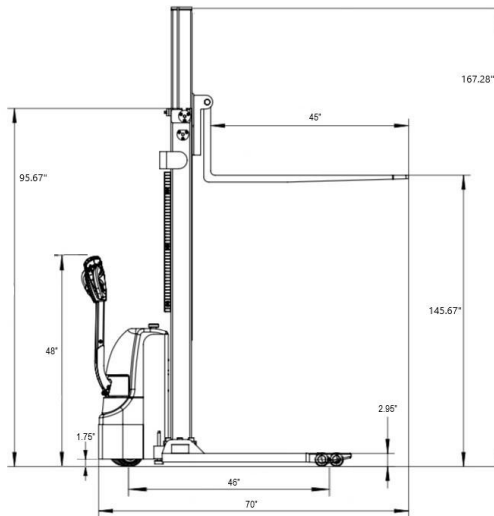
| Model | | EB13E |
|------------------------------|-------|---|
| Load capacity | (lb.) | 2800 |
| The max. lifting height | (in) | 119" |
| Load center distance | (in) | 24 |
| Fork length | (in) | 45.3 |
| Single fork width | (in) | 4 |
| Overall fork width | (in) | 8.3-33.5 |
| Lowered fork height | (in) | 2.35 |
| Fixed leg length | (in) | 36.5 |
| Adjustable legs | (in) | 45.5-59.1 |
| Turning radius | (in) | 52.6 |
| Overall length | (in) | 70 |
| Max Overall width | (in) | 61 |
| Extended mast height | (in) | 135 |
| Lowered mast height | (in) | 82 |
| Battery voltage (dimensions) | (in) | 2×12V/100AH (10/6.6/8.5) |
| Internal Charger | (V/A) | 24V/15A |
| Lifting Motor | (V/W) | 2000 Watt, Lift speed, laden/unladen:92/136mm/s Lowering speed, laden/unladen:112/98mm/s |
| Driving Motor | (W) | 750 Watt, Driving speed: laden/unladen:4.0/4.2km/h |
| Service Weight | (lb.) | 1450 |

EB12EA Full Powered Walkie Stacker

The EKKO EB12EA Electric Straddle Stacker is designed with the combination of the versatility of a forklift, reach truck and a walkie stacker. It is ideal for loading and unloading trucks, loading docks, stock rooms, manufacturing floors and warehousing.

Made from high quality steel and components with durable quality drives to withstand any terrain, usage, impact and directional changes for the use of any application with confidence and assurance.

- Load Capacity 3000 lb.
- Raised Height 145.67"
- Adjustable Forks 8.3-33.5"
- Adjustable Legs 45.7-59.1"
- Fork Length 45.3"
- Curtis Instrument Controller
- **24V AC Drive Motor 1500 Watt**
- 24V Lift Motor
- Battery 2*12V/120Ah
- Polyurethane Wheels
- Ergonomic Handle and Controls
- Steel Construction
- Robotic Welding
- 3 Year Limited Warranty



| Model | | EB12EA |
|------------------------------|-------|---|
| Load capacity | (lb.) | 3000 |
| The max. lifting height | (in) | 145.67" |
| Load center distance | (in) | 24 |
| Fork length | (in) | 45.3 |
| Single fork width | (in) | 4 |
| Overall fork width | (in) | 8.3-33.5 |
| Lowered fork height | (in) | 2.35 |
| Fixed leg length | (in) | 36.5 |
| Adjustable legs | (in) | 45.5-59.1 |
| Turning radius | (in) | 52.6 |
| Overall length | (in) | 70 |
| Max Overall width | (in) | 61 |
| Extended mast height | (in) | 167.28 |
| Lowered mast height | (in) | 95.67 |
| Battery voltage (dimensions) | (in) | 2 × 12V/120AH (10/6.6/8.5) |
| Internal Charger | (V/A) | 24V/15A |
| Lifting Motor | (V/W) | 2200 Watt, Lift speed, laden/unladen:92/136mm/s Lowering speed, laden/unladen:112/98mm/s |
| Driving Motor | (W) | 1500 Watt, Driving speed: laden/unladen: 4.0/4.2km/h |
| Service Weight | (lb.) | 1584 |

AC Drive Motor
1500 Watt

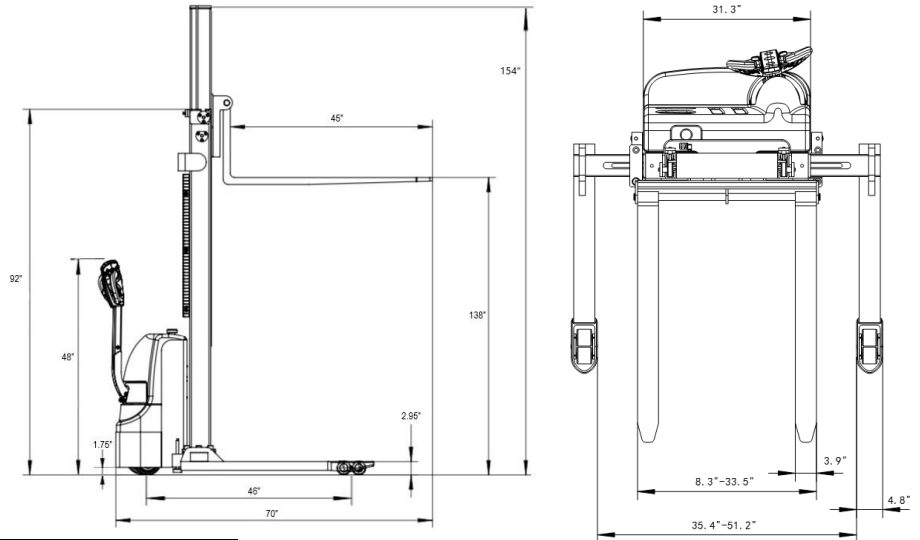


EB12E-138 Full Powered Walkie Stacker

The EKKO EB12E-138 Electric Straddle Stacker is designed with the combination of the versatility of a forklift, reach truck and a walkie stacker. It is ideal for loading and unloading trucks, loading docks, stock rooms, manufacturing floors and warehousing.

Made from high quality steel and components with durable quality drives to withstand any terrain, usage, impact and directional changes for the use of any application with confidence and assurance.

- Load Capacity 2640 lb.
- Raised Height 138"
- Adjustable Forks 8.3-33.5"
- Adjustable Legs 45.7-59.1"
- Fork Length 45.3"
- Curtis Instrument Controller
- 24V Drive Motor
- 24V Lift Motor
- Battery 2*12V/100Ah
- Polyurethane Wheels
- Ergonomic Handle and Controls
- Steel Construction
- Robotic Welding
- 3 Year Limited Warranty



| Model | | EB12E-138 |
|------------------------------|-------|---|
| Load capacity | (lb.) | 2640 |
| The max. lifting height | (in) | 138" |
| Load center distance | (in) | 24 |
| Fork length | (in) | 45.3 |
| Single fork width | (in) | 4 |
| Overall fork width | (in) | 8.3-33.5 |
| Lowered fork height | (in) | 2.35 |
| Fixed leg length | (in) | 36.5 |
| Adjustable legs | (in) | 45.5-59.1 |
| Turning radius | (in) | 52.6 |
| Overall length | (in) | 70 |
| Max Overall width | (in) | 61 |
| Extended mast height | (in) | 154 |
| Lowered mast height | (in) | 92 |
| Battery voltage (dimensions) | (in) | 2×12V/100AH (10/6.6/8.5) |
| Internal Charger | (V/A) | 24V/15A |
| Lifting Motor | (V/W) | 2.2kw. Lift speed, laden/unladen:92/136mm/s Lowering speed, laden/unladen:112/98mm/s |
| Driving Motor | (W) | 0.75kw. Driving speed: laden/unladen:4.0/4.2km/h |
| Service Weight | (lb.) | 1450 |

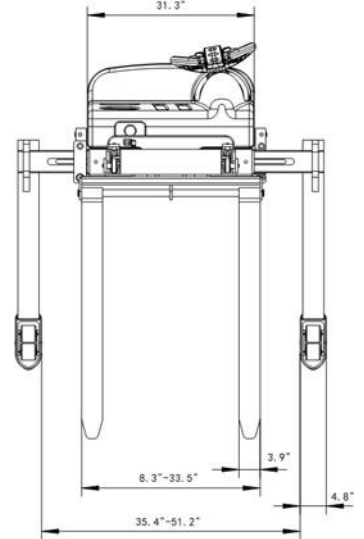
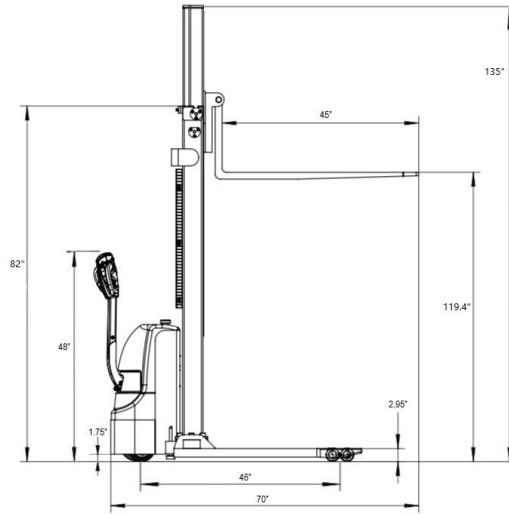


EB12E Full Powered Walkie Stacker

The EKKO EB12E Electric Straddle Stacker is designed with the combination of the versatility of a forklift, reach truck and a walkie stacker. It is ideal for loading and unloading trucks, loading docks, stock rooms, manufacturing floors and warehousing.

Made from high quality steel and components with durable quality drives to withstand any terrain, usage, impact and directional changes for the use of any application with confidence and assurance.

- Load Capacity 2640lbs.
- Raised Height 119.4"
- Adjustable Forks 8.3-33.5"
- Adjustable Legs 45.7-59.1"
- Fork Length 45.3"
- Curtis Instrument Controller
- 24V Drive Motor
- 24V Lift Motor
- Battery 2*12V/100Ah
- Polyurethane Wheels
- Ergonomic Handle and Controls
- Steel Construction
- Robotic Welding
- 3 Year Limited Warranty



| Model | | EB12E |
|------------------------------|--------|---|
| Load capacity | (lbs.) | 2640 |
| The max. lifting height | (in) | 119.4" |
| Load center distance | (in) | 24 |
| Fork length | (in) | 45.3 |
| Single fork width | (in) | 4 |
| Overall fork width | (in) | 8.3-33.5 |
| Lowered fork height | (in) | 2.35 |
| Fixed leg length | (in) | 36.5 |
| Adjustable legs | (in) | 45.5-59.1 |
| Turning radius | (in) | 52.6 |
| Overall length | (in) | 70 |
| Max Overall width | (in) | 61 |
| Extended mast height | (in) | 135 |
| Lowered mast height | (in) | 82 |
| Battery voltage (dimensions) | (in) | 2 × 12V/100AH (10/6.6/8.5) |
| Internal Charger | V/A | 24V/15A |
| Lifting Motor | V/Kw | 2.2kw. Lift speed, laden/unladen:92/136mm/s Lowering speed, laden/unladen:112/98mm/s |
| Driving Motor | | 0.75kw.Driving speed: laden/unladen:4.0/4.2km/h |
| Service Weight | (lbs.) | 1420 |



EB12E-98Li LITHIUM-IRON Full Powered Walkie Stacker

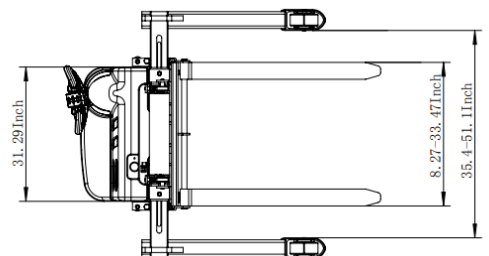
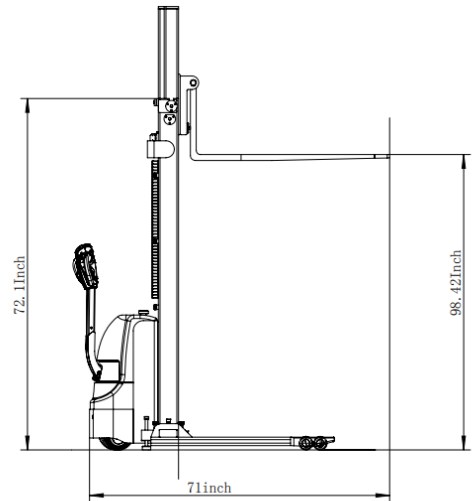
The EKKO EB12E-98Li LITHIUM-IRON Phosphate Electric Straddle Stacker has a lowered mast of 7is designed with the combination of the versatility of a forklift, reach truck and a walkie stacker. It is ideal” which can get underneath any doorway for loading and unloading trucks, loading docks, stock rooms, manufacturing floors and warehousing.

Made from high quality steel and components with durable quality drives to withstand any terrain, usage, impact and directional changes for the use of any application with confidence and assurance.

- Load Capacity 2640lbs.
- Raised Height 98”
- Adjustable Forks 8.3-33.5”
- Adjustable Legs 45.7-59.1”
- Fork Length 45.3”
- Curtis Instrument Controller
- 24V Drive Motor
- 24V Lift Motor
- Battery LI-Iron LiFePO4 24/50Ah
- Polyurethane Wheels
- Ergonomic Handle and Controls
- Steel Construction
- Robotic Welding
- 3 Year Limited Warranty



| Model | | EB12E-98Li |
|------------------------------|--------|--|
| Load capacity | (lbs.) | 2640 |
| The max. lifting height | (in) | 98” |
| Load center distance | (in) | 24 |
| Fork length | (in) | 45.3 |
| Single fork width | (in) | 4 |
| Overall fork width | (in) | 8.3-33.5 |
| Lowered fork height | (in) | 2.35 |
| Fixed leg length | (in) | 36.5 |
| Adjustable legs | (in) | 45.5-59.1 |
| Turning radius | (in) | 52.6 |
| Overall length | (in) | 70 |
| Max Overall width | (in) | 61 |
| Extended mast height | (in) | 114 |
| Lowered mast height | (in) | 72 |
| Battery voltage (dimensions) | (in) | Li-Iron 24V/50Ah (10/6.6/8.5) |
| Internal Charger | V/A | 24V/15A |
| Lifting Motor | V/Kw | 2.2kw. Lift speed, laden/unladen:92/136mm/s Lowering speed, laden/unladen:112/98mm/s |
| Driving Motor | | 0.75kw. Driving speed: laden/unladen:4.0/4.2km/h |
| Service Weight | (lbs.) | 1300 |



EA15B Semi-Electric Straddle Stacker

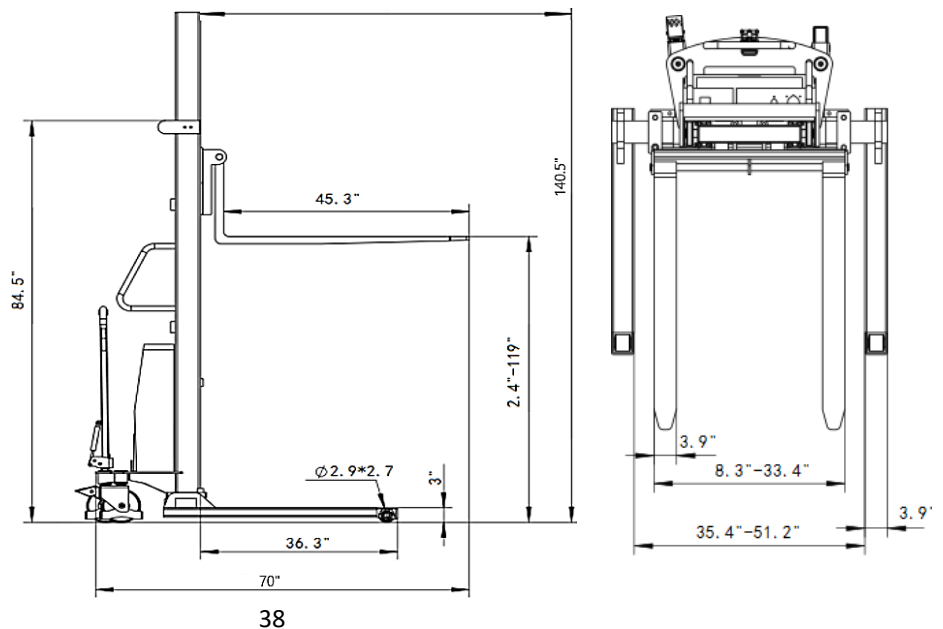


| Model | | EA15B |
|-------------------------|--------|--------------|
| Load Capacity | (lb.) | 3300 |
| Lifting height Max. | (in) | 119.4 |
| Load center distance | (in) | 24 |
| Fork length | (in) | 45.3 |
| Single fork width | (in) | 3.9 |
| Overall fork width | (in) | 8-33.4 |
| Lowered fork height | (in) | 2.4 |
| Fixed leg length | (in) | 34 |
| Fixed leg width, single | (in) | 3.9 |
| Adjustable legs | (in) | 43.5-59.1 |
| Turning radius | (in) | 53.2 |
| Overall length | (in) | 73 |
| Overall width max | (in) | 59 |
| Extended mast height | (in) | 140.5 |
| Lowered mast height | (in) | 84.5 |
| Battery Voltage | (V/Ah) | 12V/120Ah |
| Charger | (V/A) | 12V/15A |
| Lift Motor | (V/W) | DC 12V/1500W |
| Service Weight | (lb.) | 1200 |

The EKKO EA15B Semi-Electric Straddle Stacker is designed with the combination of the versatility of a forklift and a pallet stacker. It is ideal for loading and unloading trucks, loading docks, stock rooms, manufacturing floors and warehousing.

Made from high quality steel and components with durable quality drives to withstand any terrain, usage, impact and directional changes for the use of any application with confidence and assurance.

- Load Capacity 3300 lb.
- Raised Height 119.4" (9.95ft)
- Adjustable Forks 8.3-33.4"
- Adjustable Legs 43.5-59.1"
- Power Lifting
- Manual Drive
- External Charger 12V/15Ah
- Battery 12V/120Ah
- Ergonomic Handle
- Steel Construction
- Robotic Welding
- 3 Year Limited Warranty



EA15C Semi-Electric Fork-Over Stacker

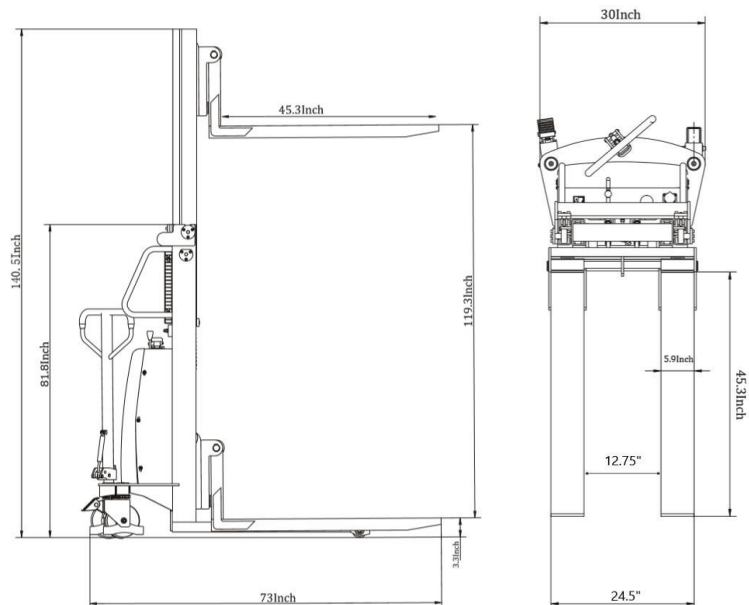


| Model | | EA15C |
|-------------------------|--------|--------------|
| Load Capacity | (lb.) | 3300 |
| Lifting height Max. | (in) | 119.4 |
| Load center distance | (in) | 24 |
| Fork length | (in) | 45.3 |
| Single fork width | (in) | 5.9 |
| Overall fork width | (in) | 24.5 |
| Lowered fork height | (in) | 2.4 |
| Fixed leg length | (in) | 45.3 |
| Fixed leg width, single | (in) | 5.9 |
| Width between legs | (in) | 23.2 |
| Turning radius | (in) | 53.2 |
| Overall length | (in) | 73 |
| Overall width max | (in) | 59 |
| Extended mast height | (in) | 140.5 |
| Lowered mast height | (in) | 81.8 |
| Battery Voltage | (V/Ah) | 12V/120Ah |
| Charger | (V/A) | 12V/20A |
| Lift Motor | (V/W) | DC 12V/1500W |
| Service Weight | (lb.) | 870 |

The EKKO EA15C Semi-Electric Fork-over Stacker is designed with the combination of the versatility of a forklift and a pallet stacker. It is ideal for loading and unloading trucks, loading docks, stock rooms, manufacturing floors and warehousing.

Made from high quality steel and components with durable quality drives to withstand any terrain, usage, impact and directional changes for the use of any application with confidence and assurance.

- Load Capacity 3300 lb.
- Raised Height 119.4" (9.95ft)
- Fork Width between Legs 12.75
- Power Lifting
- Manual Drive
- Internal Charger 12V/20Ah
- Battery 12V/120Ah
- Ergonomic Handle
- Steel Construction
- Robotic Welding
- 3 Year Limited Warranty



EA15D Semi-Electric Straddle Stacker

The EKKO EA15D Semi-Electric Straddle Stacker is designed with the combination of the versatility of a forklift and a pallet stacker. It is ideal for loading and unloading trucks, loading docks, stock rooms, manufacturing floors and warehousing.

Made from high quality steel and components with durable quality drives to withstand any terrain, usage, impact and directional changes for the use of any application with confidence and assurance.

- Load Capacity 3300lbs.
- Raised Height 138" (11.5ft)
- Adjustable Forks 8.3-33.5"
- Adjustable Legs 43.5-59.1"
- Fork Length 45.3"
- Power Lifting
- Manual Drive
- Adjustable Forks
- Built-in Charger 12v 120Ah
- Batteries Included
- Ergonomic Handle
- Steel Construction
- Robotic Welding
- 3 Years Limited Warranty

| Model | | EA15D |
|-------------------------|--------|--------------|
| Load Capacity | (lb.) | 3300 |
| Lifting height Max. | (in) | 138 |
| Load center distance | (in) | 24 |
| Fork length | (in) | 45.3 |
| Single fork width | (in) | 4 |
| Overall fork width | (in) | 8-32.7 |
| Lowered fork height | (in) | 2.35 |
| Fixed leg length | (in) | 36.5 |
| Fixed leg width, single | (in) | 3.94 |
| Adjustable legs | (in) | 44.5-59.1 |
| Turning radius | (in) | 52.6 |
| Overall length | (in) | 70 |
| Overall width max | (in) | 61 |
| Extended mast height | (in) | 154 |
| Lowered mast height | (in) | 84.5 |
| Battery Voltage | (V/Ah) | 12V/120Ah |
| Charger | (V/A) | 12V/15A |
| Lift Motor | (V/W) | DC 12V/1500W |
| Service Weight | (lb.) | 1450 |



EKKO EPC30A Center-Controlled Rider Pallet Jack

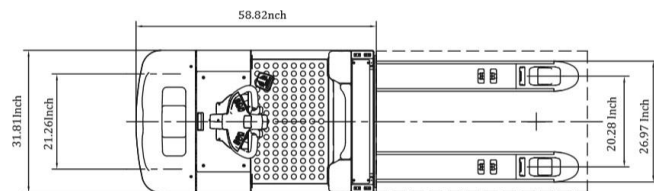
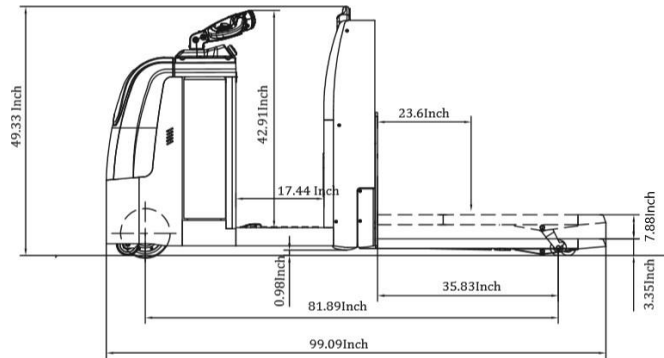
The EKKO EPC30A Center-Controlled Rider Pallet Jack is designed with the versatility of a pallet jack with full power lifting and driving capabilities. It is ideal for long hauls, loading and unloading trucks, loading docks, stock rooms, manufacturing floors and warehousing.

Made from high quality steel and components with durable quality drives to withstand any terrain, usage, impact and directional changes for the use of any application with confidence and assurance.

- Load Capacity 5000 lb.
- Fork Size 27x45"
- Curtis Instrument Controller
- German AC Drive
- Raised Height 7.88"
- Lowered Height 3.35"
- Polyurethane Wheels
- Ergonomic Handle and Controls
- Steel Construction
- Robotic Welding
- 3 Year Limited Warranty



| Model | | EPC30A |
|--|------------|-----------------|
| Lift | | Electric |
| Drive | | Electric |
| Load capacity | (lb.) | 5000 |
| Load center | (in) | 23.6 |
| Wheelbase | (in) | 81.89 |
| Lowered fork height | (in) | 3.35 |
| Lifting height | (in) | 7.88 |
| Overall length | (in) | 99.09 |
| Overall width | (in) | 31.81 |
| Fork size | s/e/l (in) | 1.97x7.69x45.3 |
| Outside distance of fork | (in) | 26.97 |
| Turning radius | (in) | 89.68 |
| Lifting speed, laden/unladen | (in/s) | .90/.94 |
| Lowering speed, laden/unladen | (in/s) | 1.18/.78 |
| Max gradient performance laden/unladen | (%) | 3/6 |
| Brake type | | electromagnetic |
| Drive motor | (W) | 1500 |
| Lift motor | (W) | 800 |
| Charger | (V/A) | N/A |
| Battery voltage/rated capacity | (V/Ah) | 24V/360Ah |
| AC Drive Motor | | AC Motor |
| Noise level at operator seat | (dB(A)) | 70 |
| Service weight (with battery) | (lb.) | 2400 |



EKKO EP30A Rider Pallet Jack

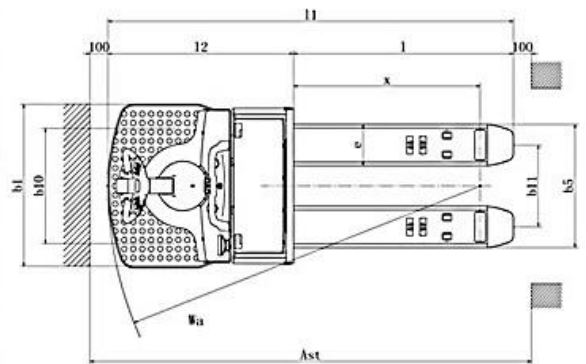
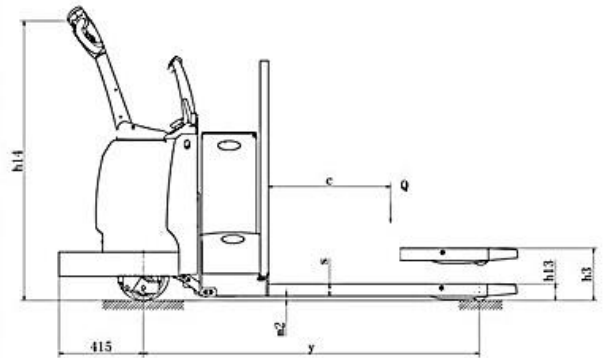
The EKKO EP30A Rider Pallet Jack is designed with the versatility of a pallet jack with full power lifting and driving capabilities. It is ideal for loading and unloading trucks, loading docks, stock rooms, manufacturing floors and warehousing.

Made from high quality steel and components with durable quality drives to withstand any terrain, usage, impact and directional changes for the use of any application with confidence and assurance.

- Load Capacity 6600 lb.
- Fork Size 27x48
- Curtis Instrument Controller
- Raised Height 9.17"
- Lowered Height 3.26"
- Polyurethane Wheels
- Ergonomic Handle and Controls
- Steel Construction
- Robotic Welding
- 3 Year Limited Warranty



| Model | | EP30A |
|--|------------|-----------------|
| Lift | | Electric |
| Drive | | Electric |
| Load capacity | (lb.) | 6600 |
| Load center | (in) | 24 |
| Wheelbase | (in) | 67.72 |
| Lowered fork height | (in) | 3.26 |
| Lifting height | (in) | 9.17 |
| Overall length | (in) | 88.58 |
| Overall width | (in) | 35.83 |
| Fork size | s/e/l (in) | 2/9/48 |
| Outside distance of fork | in | 27 |
| Turning radius | (in) | 81.34 |
| Lifting speed, laden/unladen | (in/s) | 7.5/8 |
| Lowering speed, laden/unladen | (in/s) | 36/30 |
| Max gradient performance laden/unladen | (%) | 5/15 |
| Brake type | | electromagnetic |
| Drive motor | (W) | 3000 |
| Lift motor | (W) | 2200 |
| Charger | (V/A) | N/A |
| Battery voltage/rated capacity | (V/Ah) | 24V/280Ah |
| AC Drive Motor | | AC Motor |
| Noise level at operator seat | (dB(A)) | 70 |
| Service weight (with battery) | (lb.) | 1720 |



EKKO EP25E Walkie Pallet Jack

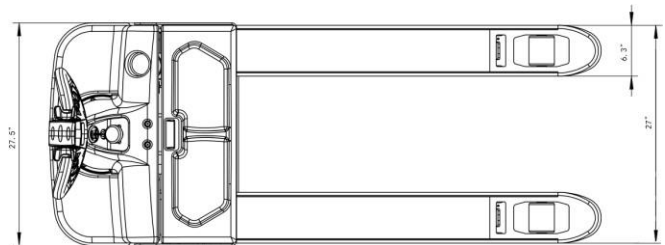
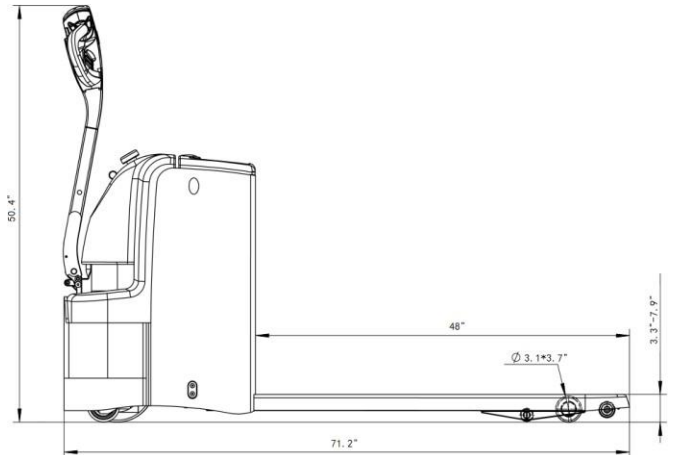
The EKKO EP25E Electric Walkie Pallet Jack is designed with the versatility of a pallet jack with full power lifting and driving capabilities. It is ideal for loading and unloading trucks, loading docks, stock rooms, manufacturing floors and warehousing.

Made from high quality steel and components with durable quality drives to withstand any terrain, usage, impact and directional changes for the use of any application with confidence and assurance.

- Load Capacity 5500 lb.
- Fork Size 27x48
- Curtis Instrument Controller
- Raised Height 7.9"
- Lowered Height 3.3"
- Polyurethane Wheels
- Ergonomic Handle and Controls
- Steel Construction
- Robotic Welding
- 3 Year Limited Warranty



| Model | | EP25E |
|--|------------|------------------------|
| Lift | | Electric |
| Drive | | Electric |
| Load capacity | (lb.) | 5500 |
| Load center | (in) | 24 |
| Wheel base | (in) | 53 |
| Lowered fork height | (in) | 3.33 |
| Lifting height | (in) | 7.9 |
| Overall length | (in) | 71.2 |
| Overall width | (in) | 27.5 |
| Fork size | s/e/l (in) | 2/6/48 |
| Outside distance of fork | (in) | 27 |
| Turning radius | (in) | 60 |
| Lifting speed, laden/unladen | (in/s) | 0.8/1.1 |
| Lowering speed, laden/unladen | (in/s) | 1.5/1.5 |
| Max gradient performance laden/unladen | (%) | 8/15 |
| Brake type | | electromagnetic |
| Drive motor | (W) | 1300W |
| Lift motor | (W) | 800W |
| Charger | (V/A) | 24V/30A |
| Battery voltage/rated capacity | (V/Ah) | 24V/240Ah |
| AC Drive Motor | | AC Motor speed control |
| Noise level at operator seat | (dB(A)) | 68 |
| Service weight (with battery) | (lb.) | 1100 |

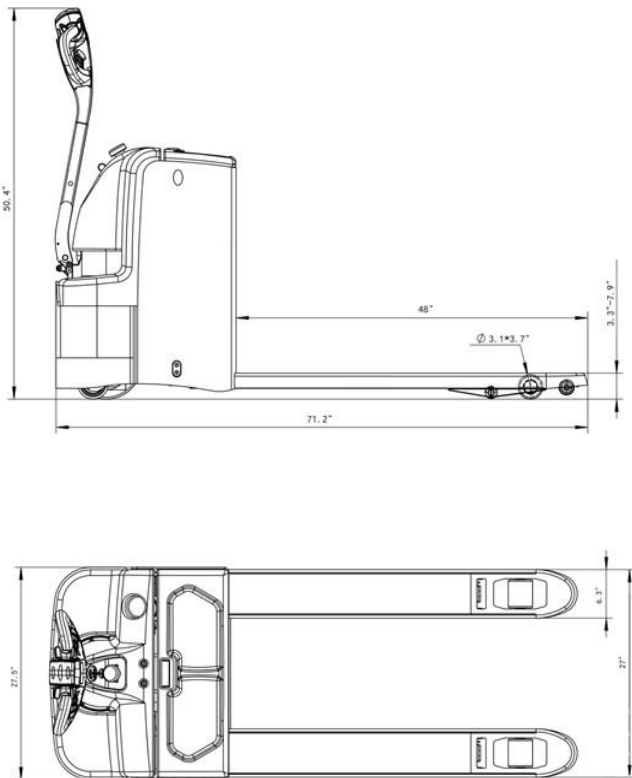


EKKO EP20E Walkie Pallet Jack

The EKKO EP20E Electric Walkie Pallet Jack is designed with the versatility of a pallet jack with full power lifting and driving capabilities. It is ideal for loading and unloading trucks, loading docks, stock rooms, manufacturing floors and warehousing.

Made from high quality steel and components with durable quality drives to withstand any terrain, usage, impact and directional changes for the use of any application with confidence and assurance.

- Load Capacity 4400 lb.
- Fork Size 27x48
- Curtis Instrument Controller
- Raised Height 7.9"
- Lowered Height 3.3"
- Polyurethane Wheels
- Ergonomic Handle and Controls
- Steel Construction
- Robotic Welding
- 3 Year Limited Warranty



| Model | | EP20E |
|--|---------------|------------------------|
| Lift | | Electric |
| Drive | | Electric |
| Load capacity | (lb.) | 4400 |
| Load center | (in) | 24 |
| Wheel base | (in) | 53 |
| Lowered fork height | (in) | 3.3 |
| Lifting height | (in) | 7.9 |
| Overall length | (in) | 71.2 |
| Overall width | (in) | 28 |
| Fork size | s/e/l (in) | 2/6/48 |
| Outside distance of fork | (in) | 27 |
| Turning radius | (in) | 60 |
| Lifting speed, laden/unladen | (in/s) | 0.8/1.1 |
| Lowering speed, laden/unladen | (in/s) | 1.5/1.5 |
| Max gradient performance laden/unladen | (%) | 8/15 |
| Brake type | | electromagnetic |
| Drive motor | (W) | 1300W |
| Lift motor | (W) | |
| Charger | (V/A) | 24V/15A |
| Battery voltage/rated capacity | (V/Ah) | 24V/160Ah |
| AC Drive Motor | | AC Motor speed control |
| Noise level at operator seat | (dB(A)) | 68 |
| Service weight with battery | (lb.) | 860 |

EKKO EP20D Walkie Pallet Jack

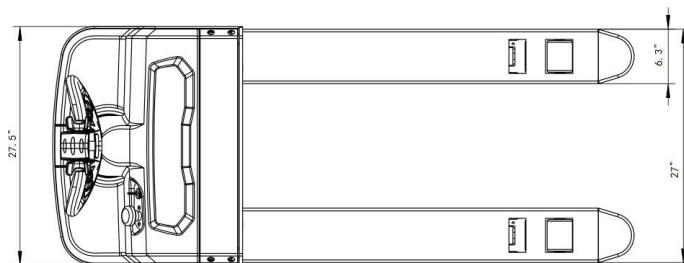
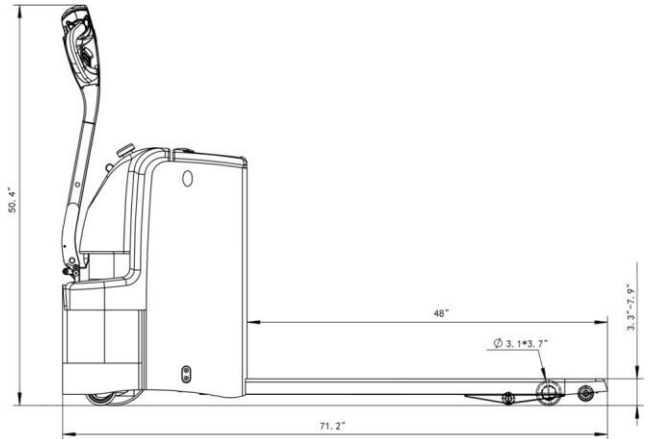
The EKKO EP20D Electric Walkie Pallet Jack is designed with the versatility of a pallet jack with full power lifting and driving capabilities. It is ideal for loading and unloading trucks, loading docks, stock rooms, manufacturing floors and warehousing.

Made from high quality steel and components with durable quality drives to withstand any terrain, usage, impact and directional changes for the use of any application with confidence and assurance.

- Load Capacity 4400 lb.
- Fork Size 27x48
- Raised Height 7.7"
- Lowered Height 3.3"
- Polyurethane Wheels
- Ergonomic Handle and
- AC Drive Motor
- Controls
- Steel Construction
- Robotic Welding
- Built-in Charger
- 3 Year Limited Warranty



| Model | | EP20D |
|--|---------------|------------------------|
| Lift | | Electric |
| Drive | | Electric |
| Load capacity | (lb.) | 4400 |
| Load center | (in) | 24 |
| Wheel base | (in) | 53 |
| Lowered fork height | (in) | 3.3 |
| Lifting height | (in) | 7.7 |
| Overall length | (in) | 67.2 |
| Overall width | (in) | 27.5 |
| Fork size | s/e/l (in) | 2/6/48 |
| Outside distance of fork | (in) | 27 |
| Turning radius | (in) | 55 |
| Lifting speed, laden/unladen | (in/s) | 0.8/1.1 |
| Lowering speed, laden/unladen | (in/s) | 1.5/1.5 |
| Max gradient performance laden/unladen | (%) | 8/15 |
| Brake type | | electromagnetic |
| AC Drive motor | (W) | 750W |
| Lift motor | (W) | 800W |
| Battery voltage/rated capacity | (V/Ah) | 24V/100Ah |
| DC Drive Motor | | AC Motor speed control |
| Noise level at operator seat | (dB(A)) | 68 |
| Service weight with battery | (lb.) | 745 |



EKKO EP18D Walkie Pallet Jack

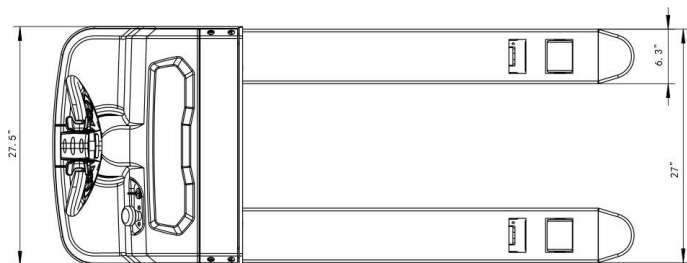
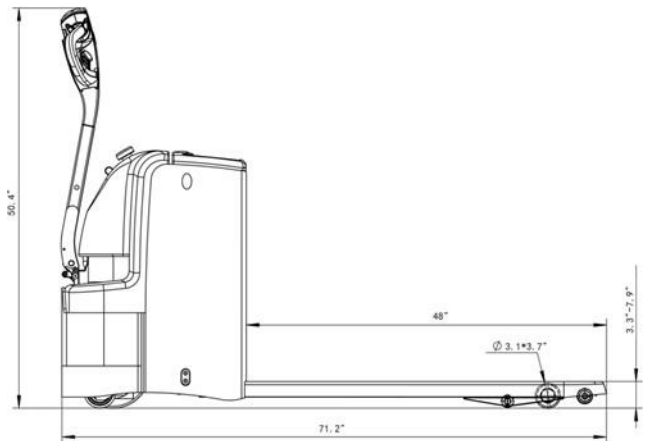
The EKKO EP18D Electric Walkie Pallet Jack is designed with the versatility of a pallet jack with full power lifting and driving capabilities. It is ideal for loading and unloading trucks, loading docks, stock rooms, manufacturing floors and warehousing.

Made from high quality steel and components with durable quality drives to withstand any terrain, usage, impact and directional changes for the use of any application with confidence and assurance.

- Load Capacity 4000 lb.
- Fork Size 27x48
- Raised Height 7.7"
- Lowered Height 3.3"
- Polyurethane Wheels
- Ergonomic Handle and Controls
- Steel Construction
- Robotic Welding
- Built-in Charger
- 3 Year Limited Warranty



| Model | | EP18D |
|--|---------------|------------------------|
| Lift | | Electric |
| Drive | | Electric |
| Load capacity | (lb.) | 4000 |
| Load center | (in) | 24 |
| Wheel base | (in) | 53 |
| Lowered fork height | (in) | 3.3 |
| Lifting height | (in) | 7.7 |
| Overall length | (in) | 67.2 |
| Overall width | (in) | 27.5 |
| Fork size | s/e/l (in) | 2/6/48 |
| Outside distance of fork | (in) | 27 |
| Turning radius | (in) | 55 |
| Lifting speed, laden/unladen | (in/s) | 0.8/1.1 |
| Lowering speed, laden/unladen | (in/s) | 1.5/1.5 |
| Max gradient performance laden/unladen | (%) | 8/15 |
| Brake type | | electromagnetic |
| Drive motor | (W) | 750W |
| Lift motor | (W) | 80W |
| Battery voltage/rated capacity | (V/Ah) | 24V/80Ah |
| DC Drive Motor | | DC Motor speed control |
| Noise level at operator seat | (dB(A)) | 68 |
| Service Weight (with battery) | (lb.) | 720 |



EKKO EP20LI LITHIUM-IRON Walkie Pallet Jack

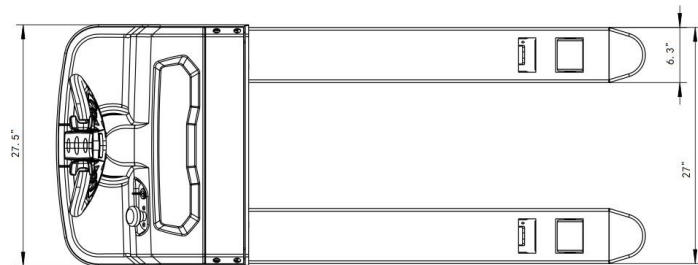
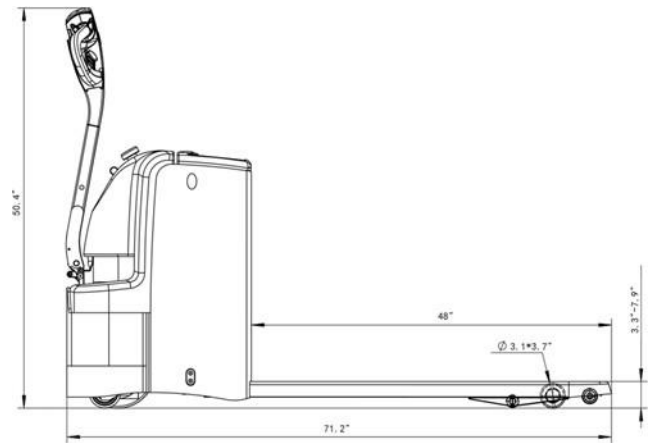
The EKKO EP20LI LITHIUM-IRON Phosphate Electric Walkie Pallet Jack is designed with the versatility of a pallet jack with full power lifting and driving capabilities. It is ideal for loading and unloading trucks, loading docks, stock rooms, manufacturing floors and warehousing.

Made from high quality steel and components with durable quality drives to withstand any terrain, usage, impact and directional changes for the use of any application with confidence and assurance.

- Load Capacity 4400 lb.
- Fork Size 27x48
- Raised Height 7.7"
- Lowered Height 3.3"
- Polyurethane Wheels
- Ergonomic Handle and Controls
- Steel Construction
- Robotic Welding
- Built-in Charger
- 3 Year Limited Warranty



| Model | | EP20LI |
|---|---------------|------------------------|
| Lift | | Electric |
| Drive | | Electric |
| Load capacity | (lb.) | 4400 |
| Load center | (in) | 24 |
| Wheel base | (in) | 53 |
| Lowered fork height | (in) | 3.3 |
| Lifting height | (in) | 7.7 |
| Overall length | (in) | 67.2 |
| Overall width | (in) | 27.5 |
| Fork size | s/e/l (in) | 2/6/48 |
| Outside distance of fork | (in) | 27 |
| Turning radius | (in) | 55 |
| Lifting speed, laden/unladen | (in/s) | 0.8/1.1 |
| Lowering speed, laden/unladen | (in/s) | 1.5/1.5 |
| Max gradient performance laden/unladen | (%) | 8/15 |
| Brake type | | electromagnetic |
| Drive motor | (W) | 750W |
| Lift motor | (W) | 80WLITHIUM |
| Lithium-iron Battery voltage/rated capacity | (V/Ah) | 24V/60Ah Li |
| DC Drive Motor | | DC Motor speed control |
| Noise level at operator seat | (dB(A)) | 68 |
| Service weigh (with battery) | (lb.) | 680 |



EKKO EP18LI LITHIUM-IRON Walkie Pallet Jack

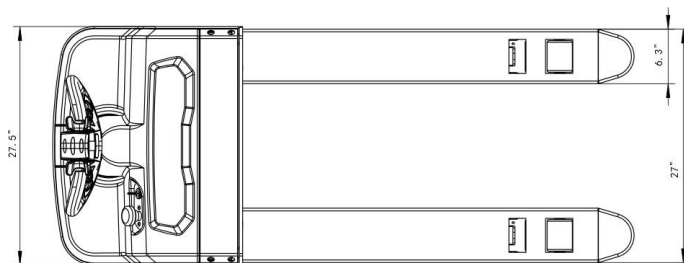
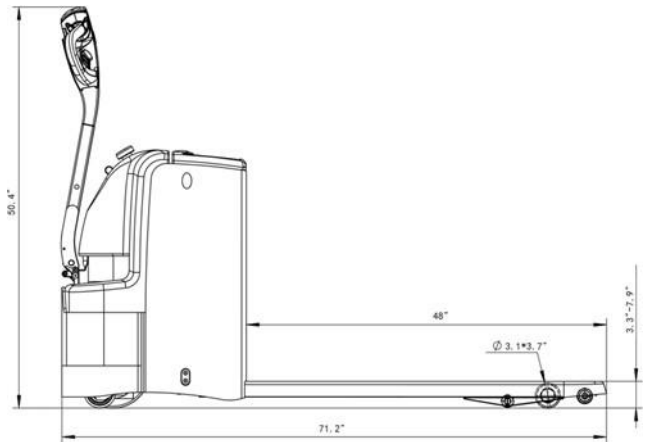
The EKKO EP18LI Lithium Iron Phosphate Electric Walkie Pallet Jack is designed with the versatility of a pallet jack with full power lifting and driving capabilities. It is ideal for loading and unloading trucks, loading docks, stock rooms, manufacturing floors and warehousing.

Made from high quality steel and components with durable quality drives to withstand any terrain, usage, impact and directional changes for the use of any application with confidence and assurance.

- Load Capacity 4000 lb.
- Fork Size 27x48
- Raised Height 7.7"
- Lowered Height 3.3"
- Polyurethane Wheels
- Ergonomic Handle and Controls
- Steel Construction
- Robotic Welding
- Built-in Charger
- 3 Year Limited Warranty



| Model | | EP18LI |
|---|---------------|------------------------|
| Lift | | Electric |
| Drive | | Electric |
| Load capacity | (lb.) | 4000 |
| Load center | (in) | 24 |
| Wheel base | (in) | 53 |
| Lowered fork height | (in) | 3.3 |
| Lifting height | (in) | 7.7 |
| Overall length | (in) | 67.2 |
| Overall width | (in) | 27.5 |
| Fork size | s/e/l (in) | 2/6/48 |
| Outside distance of fork | (in) | 27 |
| Turning radius | (in) | 55 |
| Lifting speed, laden/unladen | (in/s) | 0.8/1.1 |
| Lowering speed, laden/unladen | (in/s) | 1.5/1.5 |
| Max gradient performance laden/unladen | (%) | 8/15 |
| Brake type | | electromagnetic |
| Drive motor | (W) | 750W |
| Lift motor | (W) | 80WLITHIUM |
| Lithium-Iron Battery voltage/rated capacity | (V/Ah) | 24V/40Ah Li |
| DC Drive Motor | | DC Motor speed control |
| Noise level at operator seat | (dB(A)) | 68 |
| Service weight (with battery) | (lb.) | 650 |



EKKO EPE20LI LITHIUM-IRON Walkie Pallet Jack

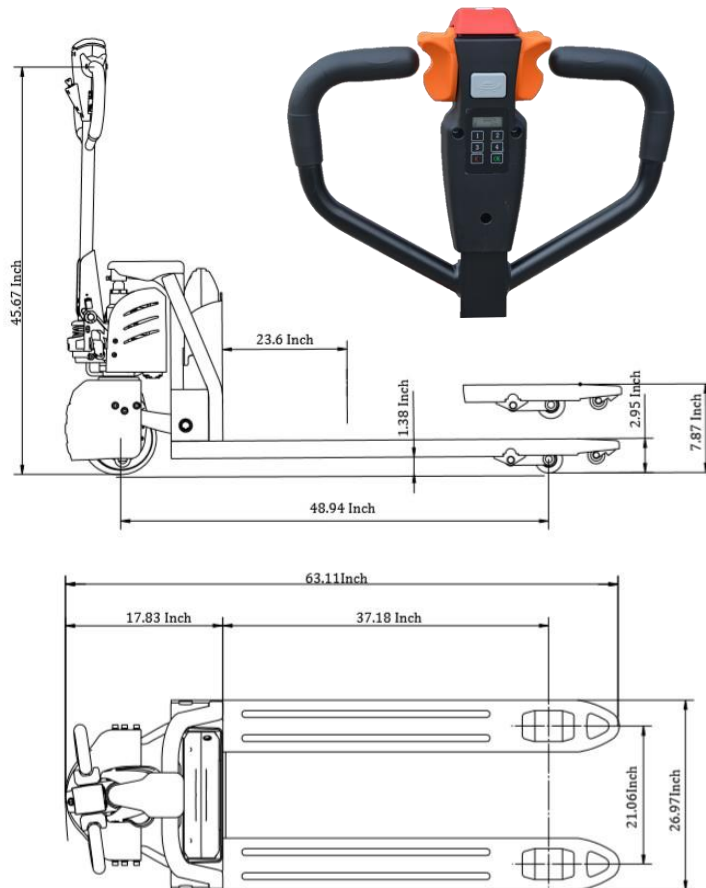
The EKKO EPE20LI Lithium-Iron Phosphate Electric Walkie Pallet Jack is designed with the versatility of a pallet jack with full power lifting and driving capabilities. It is ideal for loading and unloading trucks, loading docks, stock rooms, manufacturing floors and warehousing.

Made from high quality steel and components with durable quality drives to withstand any terrain, usage, impact and directional changes for the use of any application with confidence and assurance.

- Load Capacity 4400 lb.
- Fork Size 27x48
- Raised Height 7.87"
- 48V/30Ah Li-Iron LiFePO4
- Pin Code Panel
- Pinwheel Capability
- Lowered Height 2.95"
- Polyurethane Wheels
- Ergonomic Handle and Controls
- Steel Construction
- Robotic Welding
- 3 Year Limited Warranty



| Model | | EPE20LI |
|--|---------------|------------------------|
| Lift | | Electric |
| Drive | | Electric |
| Load capacity | (lb.) | 4400 |
| Load center | (in) | 23.6 |
| Wheelbase | (in) | 51.69 |
| Lowered fork height | (in) | 2.95 |
| Lifting height | (in) | 7.87 |
| Overall length | (in) | 65.86 |
| Overall width | (in) | 26.97 |
| Fork size | s/e/l (in) | 1.97/5.9/48.03 |
| Outside distance of fork | (in) | 26.97 |
| Turning radius | (in) | 57.8 |
| Lifting speed, laden/unladen | (in/s) | N/A |
| Lowering speed, laden/unladen | (in/s) | N/A |
| Max gradient performance laden/unladen | (%) | 5/8 |
| Brake type | | electromagnetic |
| Drive motor | (W) | 750W |
| Lift motor | (W) | 800W |
| Battery voltage/rated capacity | (V/Ah) | 48V/30Ah Li |
| DC Drive Motor | | DC Motor speed control |
| Noise level at operator seat | (dB(A)) | 70 |
| Service weight with battery | (lb.) | 390 |



EKKO EPE18LI LITHIUM-IRON Walkie Pallet Jack

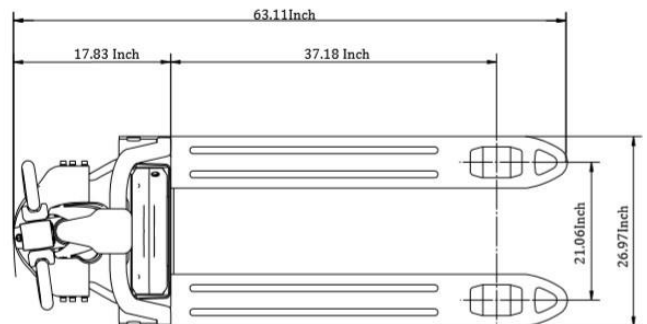
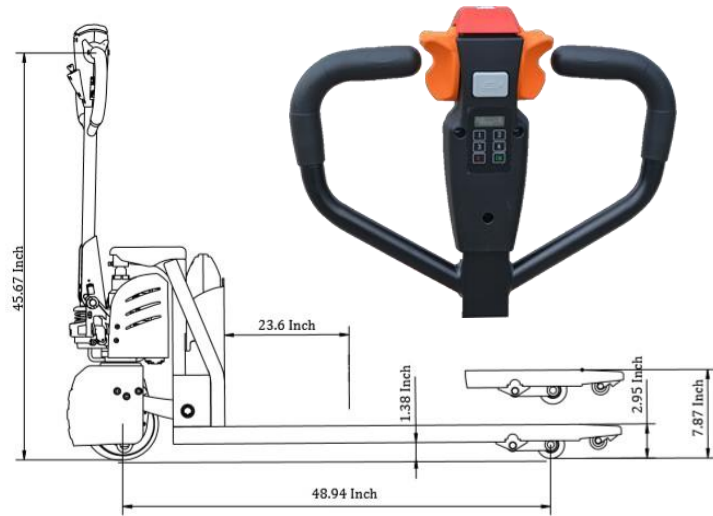
The EKKO EPE18LI Lithium-Iron Phosphate Electric Walkie Pallet Jack is designed with the versatility of a pallet jack with full power lifting and driving capabilities. It is ideal for loading and unloading trucks, loading docks, stock rooms, manufacturing floors and warehousing.

Made from high quality steel and components with durable quality drives to withstand any terrain, usage, impact and directional changes for the use of any application with confidence and assurance.

- Load Capacity 4000 lb.
- Fork Size 27x48
- Raised Height 7.87"
- 24V/40Ah Li-Iron LiFePO4
- Pin Code Panel
- Pinwheel Capability
- Lowered Height 2.95"
- Polyurethane Wheels
- Ergonomic Handle and Controls
- Steel Construction
- Robotic Welding
- 3 Year Limited Warranty



| Model | | EPE18LI |
|--|---------------|------------------------|
| Lift | | Electric |
| Drive | | Electric |
| Load capacity | (lb.) | 4000 |
| Load center | (in) | 23.6 |
| Wheelbase | (in) | 51.69 |
| Lowered fork height | (in) | 2.95 |
| Lifting height | (in) | 7.87 |
| Overall length | (in) | 65.86 |
| Overall width | (in) | 26.97 |
| Fork size | s/e/l (in) | 1.97/5.9/48.03 |
| Outside distance of fork | (in) | 26.97 |
| Turning radius | (in) | 57.8 |
| Lifting speed, laden/unladen | (in/s) | N/A |
| Lowering speed, laden/unladen | (in/s) | N/A |
| Max gradient performance laden/unladen | (%) | 5/8 |
| Brake type | | electromagnetic |
| Drive motor | (W) | 750W |
| Lift motor | (W) | 800W |
| Battery voltage/rated capacity | (V/Ah) | 24V/40Ah Li |
| DC Drive Motor | | DC Motor speed control |
| Noise level at operator seat | (dB(A)) | 70 |
| Service weight with battery | (lb.) | 370 |



EKKO EPE15LI LITHIUM-IRON Walkie Pallet Jack

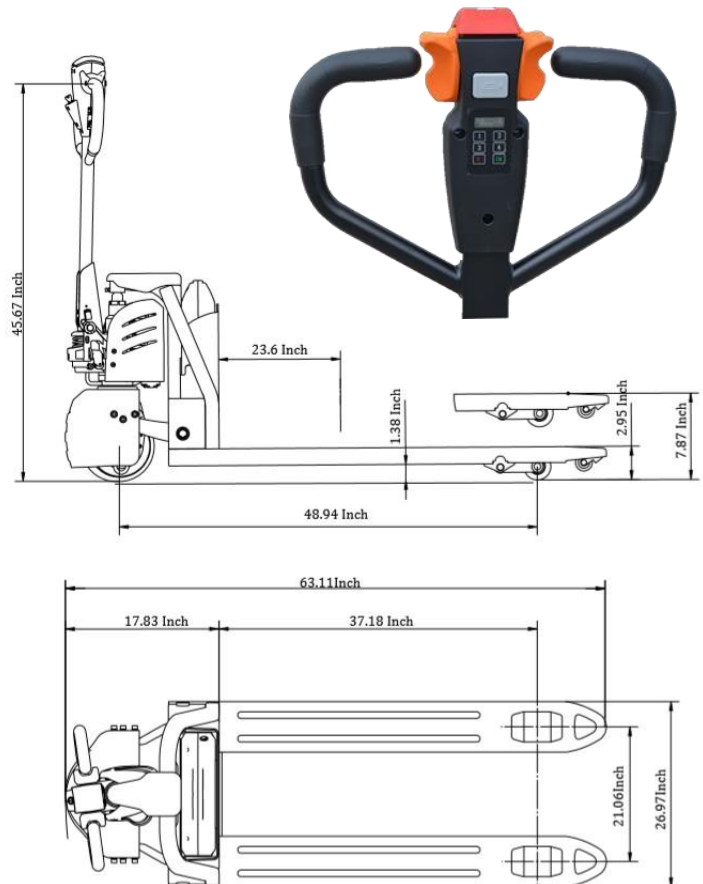
The EKKO EPE15LI Lithium-Iron Phosphate Electric Walkie Pallet Jack is designed with the versatility of a pallet jack with full power lifting and driving capabilities. It is ideal for loading and unloading trucks, loading docks, stock rooms, manufacturing floors and warehousing.

Made from high quality steel and components with durable quality drives to withstand any terrain, usage, impact and directional changes for the use of any application with confidence and assurance.

- Load Capacity 3300 lb.
- Fork Size 27x48
- Raised Height 7.87"
- 24V/30Ah Li-Iron LiFePO4
- Pin Code Panel
- Pinwheel Capability
- Lowered Height 2.95"
- Polyurethane Wheels
- Ergonomic Handle and Controls
- Steel Construction
- Robotic Welding
- 3 Year Limited Warranty



| Model | | EPE15LI |
|--|---------------|------------------------|
| Lift | | Electric |
| Drive | | Electric |
| Load capacity | (lb.) | 3300 |
| Load center | (in) | 23.6 |
| Wheelbase | (in) | 51.69 |
| Lowered fork height | (in) | 2.95 |
| Lifting height | (in) | 7.87 |
| Overall length | (in) | 65.86 |
| Overall width | (in) | 26.97 |
| Fork size | s/e/l (in) | 1.97/5.9/48.03 |
| Outside distance of fork | (in) | 26.97 |
| Turning radius | (in) | 57.8 |
| Lifting speed, laden/unladen | (in/s) | N/A |
| Lowering speed, laden/unladen | (in/s) | N/A |
| Max gradient performance laden/unladen | (%) | 5/8 |
| Brake type | | electromagnetic |
| Drive motor | (W) | 750W |
| Lift motor | (W) | 800W |
| Battery voltage/rated capacity | (V/Ah) | 24V/30Ah Li |
| DC Drive Motor | | DC Motor speed control |
| Noise level at operator seat | (dB(A)) | 70 |
| Service weight with battery | (lb.) | 345 |



EKKO EP18SLI LITHIUM-IRON Walkie Pallet Jack

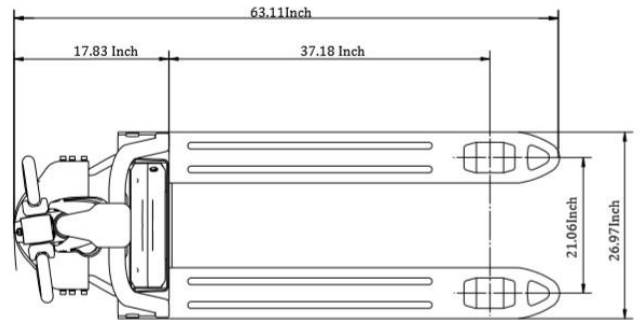
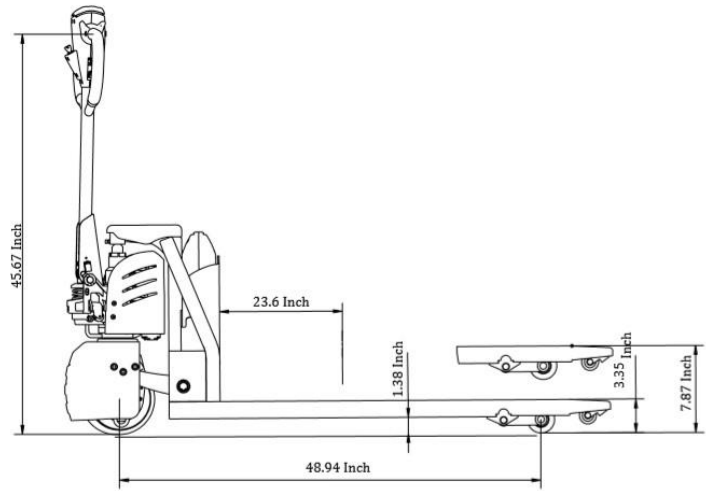
The EKKO EP18SLI Lithium-Iron Phosphate Electric Walkie Pallet Jack is designed with the versatility of a pallet jack with full power lifting and driving capabilities. It is ideal for loading and unloading trucks, loading docks, stock rooms, manufacturing floors and warehousing.

Made from high quality steel and components with durable quality drives to withstand any terrain, usage, impact and directional changes for the use of any application with confidence and assurance.

- Load Capacity 4000 lb.
- Fork Size 27x48
- Raised Height 7.87"
- Pinwheel Capability
- 24V/40Ah Li-Iron LiFePO4
- Lowered Height 2.95"
- Polyurethane Wheels
- Ergonomic Handle and Controls
- Steel Construction
- Robotic Welding
- 3 Year Limited Warranty



| Model | | EP18SLI |
|--|---------------|------------------------|
| Lift | | Electric |
| Drive | | Electric |
| Load capacity | (lb.) | 4000 |
| Load center | (in) | 23.6 |
| Wheelbase | (in) | 51.69 |
| Lowered fork height | (in) | 3.35 |
| Lifting height | (in) | 7.87 |
| Overall length | (in) | 65.86 |
| Overall width | (in) | 26.97 |
| Fork size | s/e/l (in) | 1.97/5.9/48.03 |
| Outside distance of fork | (in) | 26.97 |
| Turning radius | (in) | 57.8 |
| Lifting speed, laden/unladen | (in/s) | N/A |
| Lowering speed, laden/unladen | (in/s) | N/A |
| Max gradient performance laden/unladen | (%) | 5/8 |
| Brake type | | electromagnetic |
| Drive motor | (W) | 750W |
| Lift motor | (W) | 800W |
| Battery voltage/rated capacity | (V/Ah) | 24V/40Ah Li |
| DC Drive Motor | | DC Motor speed control |
| Noise level at operator seat | (dB(A)) | 70 |
| Service weight with battery | (lb.) | 345 |



EKKO EP15SLI LITHIUM-IRON Walkie Pallet Jack

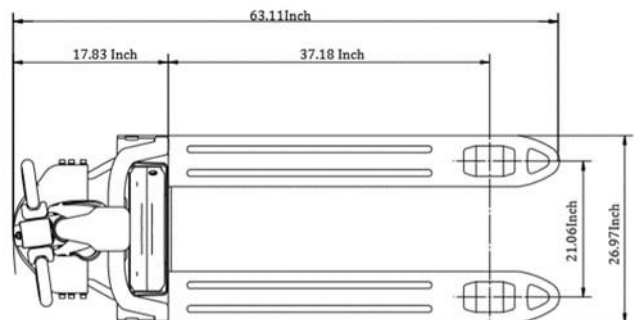
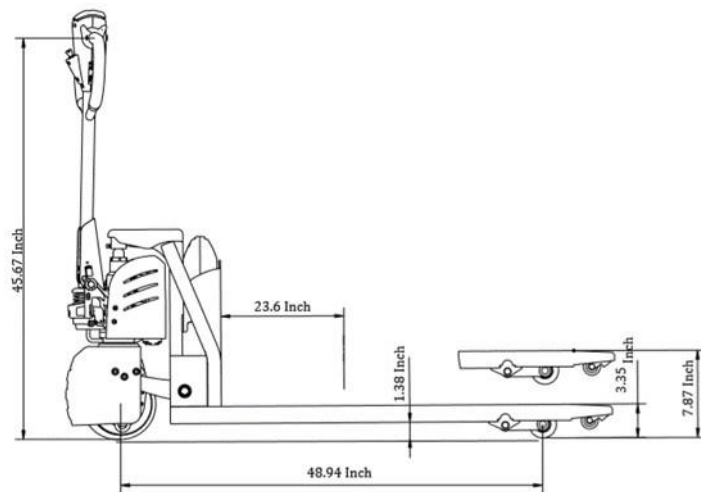
The EKKO EP15SLI Lithium-Iron Phosphate Electric Walkie Pallet Jack is designed with the versatility of a pallet jack with full power lifting and driving capabilities. It is ideal for loading and unloading trucks, loading docks, stock rooms, manufacturing floors and warehousing.

Made from high quality steel and components with durable quality drives to withstand any terrain, usage, impact and directional changes for the use of any application with confidence and assurance.

- Load Capacity 3300 lb.
- Fork Size 27x48
- Raised Height 7.87"
- 24V/30Ah Li-Iron LiFePO4
- Pinwheel Capability
- Lowered Height 2.95"
- Polyurethane Wheels
- Ergonomic Handle and Controls
- Steel Construction
- Robotic Welding
- 3 Year Limited Warranty



| Model | | EP15SLI |
|--|---------------|------------------------|
| Lift | | Electric |
| Drive | | Electric |
| Load capacity | (lb.) | 3300 |
| Load center | (in) | 23.6 |
| Wheelbase | (in) | 51.69 |
| Lowered fork height | (in) | 3.35 |
| Lifting height | (in) | 7.87 |
| Overall length | (in) | 65.86 |
| Overall width | (in) | 26.97 |
| Fork size | s/e/l (in) | 1.97/5.9/48.03 |
| Outside distance of fork | (in) | 26.97 |
| Turning radius | (in) | 57.8 |
| Lifting speed, laden/unladen | (in/s) | N/A |
| Lowering speed, laden/unladen | (in/s) | N/A |
| Max gradient performance laden/unladen | (%) | 5/8 |
| Brake type | | electromagnetic |
| Drive motor | (W) | 750W |
| Lift motor | (W) | 800W |
| Battery voltage/rated capacity | (V/Ah) | 24V/30Ah Li |
| DC Drive Motor | | DC Motor speed control |
| Noise level at operator seat | (dB(A)) | 70 |
| Service weight with battery | (lb.) | 345 |



EKKO EP15LI LITHIUM-IRON Walkie Pallet Jack

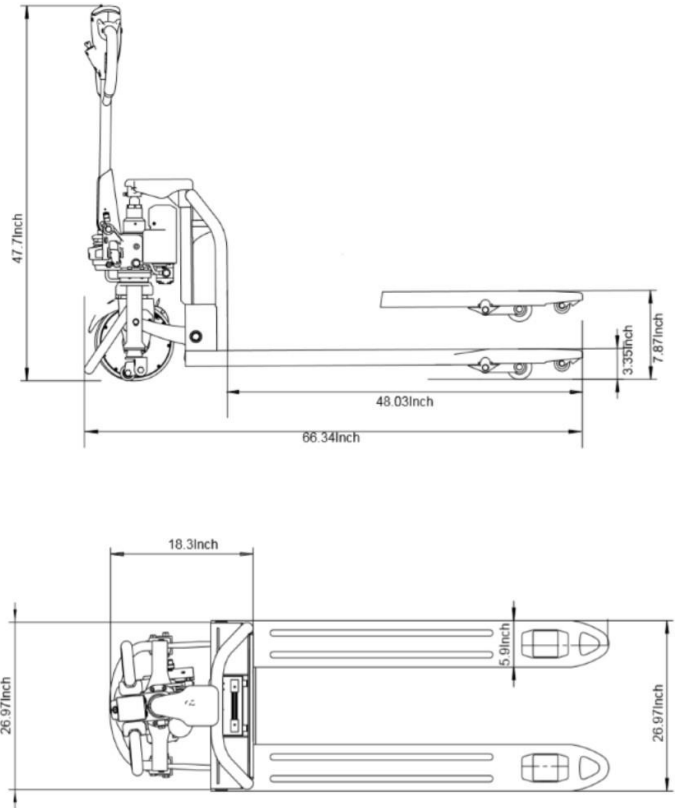
The EKKO EP15LI Lithium-Iron Phosphate Electric Walkie Pallet Jack is designed with the versatility of a pallet jack with full power lifting and driving capabilities. It is ideal for loading and unloading trucks, loading docks, stock rooms, manufacturing floors and warehousing.

Made from high quality steel and components with durable quality drives to withstand any terrain, usage, impact and directional changes for the use of any application with confidence and assurance.

- Load Capacity 3300 lb.
- Fork Size 27x48
- Raised Height 7.87"
- 24V/35Ah Li-Iron LiFePO4
- On-Board Charger
- Lowered Height 3.35"
- Polyurethane Wheels
- Ergonomic Handle and Controls
- Steel Construction
- Robotic Welding
- 3 Year Limited Warranty



| Model | | EP15LI |
|--|---------------|------------------------|
| Lift | | Electric |
| Drive | | Electric |
| Load capacity | (lb.) | 3300 |
| Load center | (in) | 23.62 |
| Wheel base | (in) | 51.69 |
| Lowered fork height | (in) | 3.35 |
| Lifting height | (in) | 7.87 |
| Overall length | (in) | 66.34 |
| Overall width | (in) | 26.97 |
| Fork size | s/e/l (in) | 1.97/5.9/48.03 |
| Outside distance of fork | (in) | 26.97 |
| Turning radius | (in) | 58 |
| Lifting speed, laden/unladen | (in/s) | N/A |
| Lowering speed, laden/unladen | (in/s) | N/A |
| Max gradient performance laden/unladen | (%) | 5/8 |
| Brake type | | electromagnetic |
| Drive motor | (W) | 750W |
| Lift motor | (W) | 800W |
| Battery voltage/rated capacity | (V/Ah) | 24V/35Ah Li |
| DC Drive Motor | | DC Motor speed control |
| Noise level at operator seat | (dB(A)) | 70 |
| Service weight with battery | (lb.) | 352 |



EKKO EP15JLI LITHIUM-IRON Walkie Pallet Jack

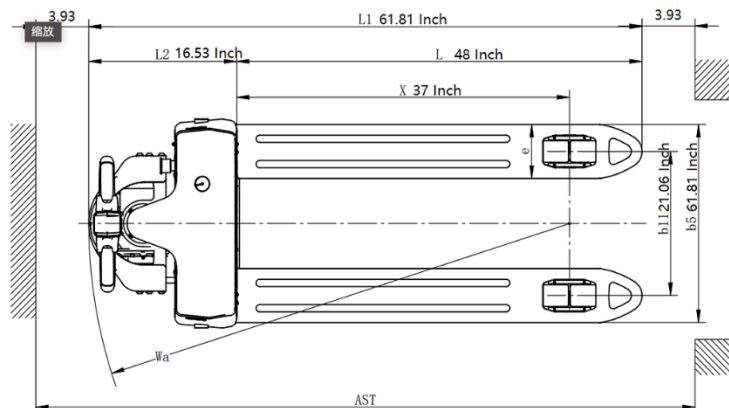
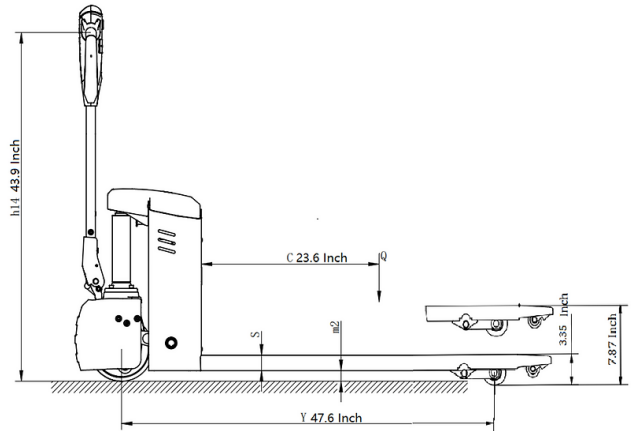
The EKKO EP-JLI series Lithium Iron Phosphate Electric Walkie Pallet Jacks are designed with the versatility of a pallet jack with full power lifting and driving capabilities. It is ideal for loading and unloading trucks, loading docks, stock rooms, manufacturing floors and warehousing.

Made from high quality steel and components with durable quality drives to withstand any terrain, usage, impact and directional changes for the use of any application with confidence and assurance.

- Lithium 24V Powered
- Load Capacity 3300 lb.
- Fork Size 27x48
- Raised Height 7.87"
- Lowered Height 3.35"
- Pinwheel Capability
- Polyurethane Wheels
- Ergonomic Handle and Controls
- Steel Construction
- Robotic Welding
- Charger Included
- (1) Lithium Iron LiFePO4 Battery
- 3 Years Limited Warranty



| Model | | EP15JLI |
|--|---------------|------------------------|
| Lift | | Electric |
| Drive | | Electric |
| Load capacity | (lb.) | 3300 |
| Load center | (in) | 23.6 |
| Wheel base | (in) | 47.6 |
| Lowered fork height | (in) | 3.35 |
| Lifting height | (in) | 7.8 |
| Overall length | (in) | 61.81 |
| Overall width | (in) | 27 |
| Fork size | s/e/l (in) | 1.97/5.9/48 |
| Fork Width | (in) | 61.81 |
| Turning radius | (in) | 53.7 |
| Lifting speed, laden/unladen | (in/s) | N/A |
| Lowering speed, laden/unladen | (in/s) | N/A |
| Max gradient performance laden/unladen | (%) | 5/10 |
| Brake type | | electromagnetic |
| Drive motor | (KW) | 0.75 |
| Lift motor | (KW) | 0.8 |
| Battery voltage/rated capacity | (V/Ah) | 24V/30Ah Li |
| DC Drive Motor | | DC Motor speed control |
| Noise level at operator seat | (dB(A)) | 70 |
| Service weight with battery | (lb.) | 308 |



EKKO EP18JLI LITHIUM-IRON Walkie Pallet Jack

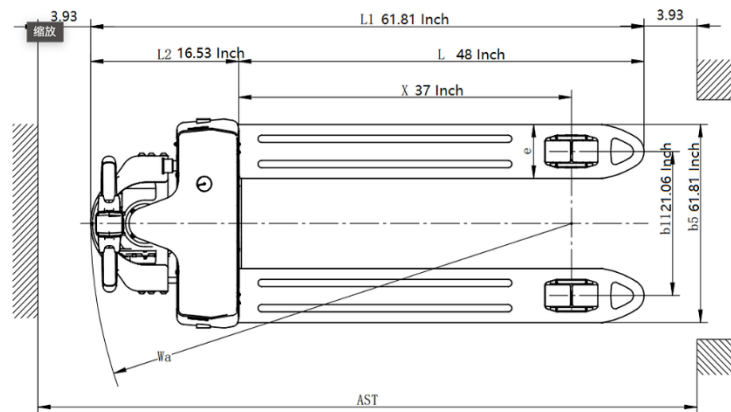
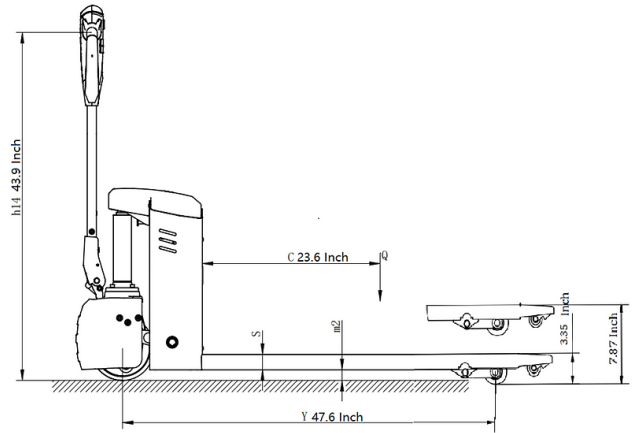
The EKKO EP18JLI Lithium Iron Phosphate Electric Walkie Pallet Jack is designed with the versatility of a pallet jack with full power lifting and driving capabilities. It is ideal for loading and unloading trucks, loading docks, stock rooms, manufacturing floors and warehousing.

Made from high quality steel and components with durable quality drives to withstand any terrain, usage, impact and directional changes for the use of any application with confidence and assurance.

- Lithium 24V Powered
- Load Capacity 4000 lb.
- Fork Size 27x48
- Raised Height 7.8"
- Lowered Height 3.35"
- Pinwheel Capability
- Polyurethane Wheels
- Ergonomic Handle and Controls
- Steel Construction
- Robotic Welding
- Charger Included
- (1) Lithium Iron Battery LiFePO4 Included 24V/40Ah
- 3 Years Limited Warranty



| Model | | EP18JLI |
|--|---------------|------------------------|
| Lift | | Electric |
| Drive | | Electric |
| Load capacity | (lb.) | 4000 |
| Load center | (in) | 23.6 |
| Wheel base | (in) | 47.6 |
| Lowered fork height | (in) | 3.35 |
| Lifting height | (in) | 7.8 |
| Overall length | (in) | 61.81 |
| Overall width | (in) | 27 |
| Fork size | s/e/l (in) | 1.97/5.9/48 |
| Fork Width | (in) | 61.81 |
| Turning radius | (in) | 53.7 |
| Lifting speed, laden/unladen | (in/s) | N/A |
| Lowering speed, laden/unladen | (in/s) | N/A |
| Max gradient performance laden/unladen | (%) | 5/10 |
| Brake type | | electromagnetic |
| Drive motor | (KW) | 0.75 |
| Lift motor | (KW) | 0.8 |
| Battery voltage/rated capacity | (V/Ah) | 24V/40Ah Li |
| DC Drive Motor | | DC Motor speed control |
| Noise level at operator seat | (dB(A)) | 70 |
| Service weight with battery | (lb.) | 319 |



EKKO EP20JLI LITHIUM-IRON Walkie Pallet Jack

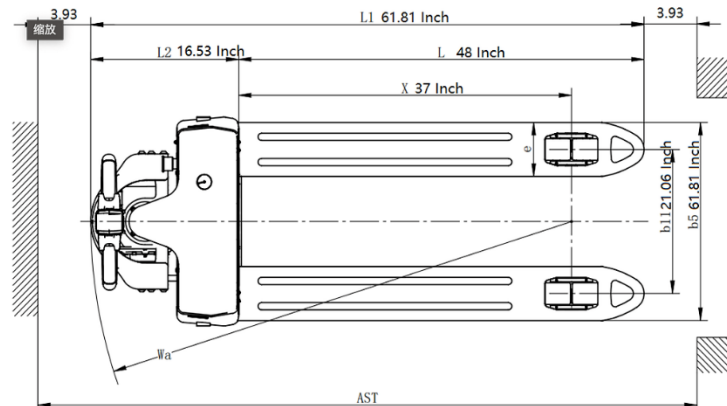
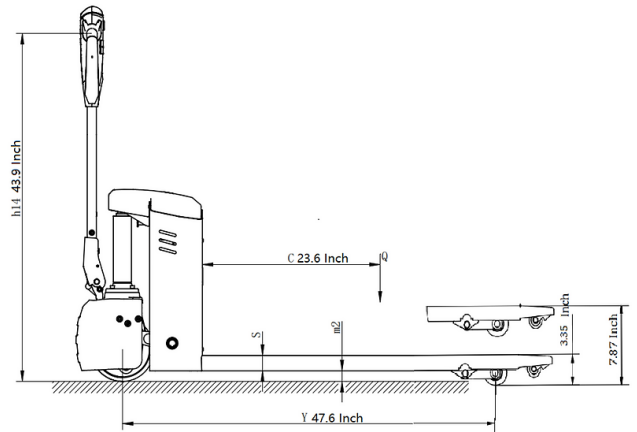
The EKKO EP20JLI Lithium Iron Phosphate Electric Walkie Pallet Jack is designed with the versatility of a pallet jack with full power lifting and driving capabilities. It is ideal for loading and unloading trucks, loading docks, stock rooms, manufacturing floors and warehousing.

Made from high quality steel and components with durable quality drives to withstand any terrain, usage, impact and directional changes for the use of any application with confidence and assurance.

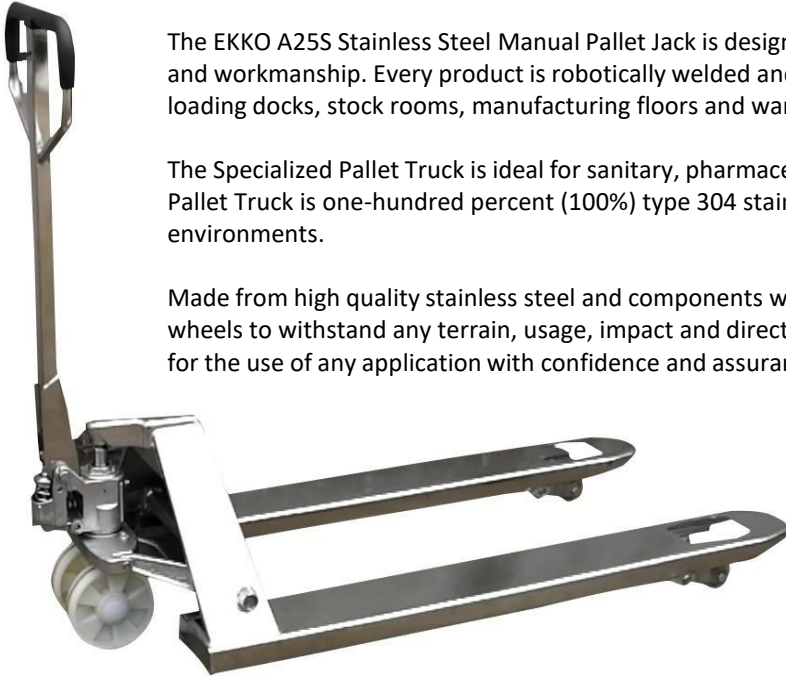
- Lithium 48V Powered
- Load Capacity 4400 lb.
- Fork Size 27x48
- Raised Height 7.8"
- Lowered Height 3.35"
- Pinwheel Capability
- Polyurethane Wheels
- Ergonomic Handle and Controls
- Steel Construction
- Robotic Welding
- Charger Included
- (1) Lithium Iron Battery LiFePO4 Included 48V/20Ah
- 3 Years Limited Warranty



| Model | | EP20JLI |
|--|---------------|------------------------|
| Lift | | Electric |
| Drive | | Electric |
| Load capacity | (lb.) | 4400 |
| Load center | (in) | 23.6 |
| Wheel base | (in) | 47.6 |
| Lowered fork height | (in) | 3.35 |
| Lifting height | (in) | 7.8 |
| Overall length | (in) | 61.81 |
| Overall width | (in) | 27 |
| Fork size | s/e/l (in) | 1.97/5.9/48 |
| Fork Width | (in) | 61.81 |
| Turning radius | (in) | 53.7 |
| Lifting speed, laden/unladen | (in/s) | N/A |
| Lowering speed, laden/unladen | (in/s) | N/A |
| Max gradient performance laden/unladen | (%) | 5/10 |
| Brake type | | electromagnetic |
| Drive motor | (KW) | 1 |
| Lift motor | (KW) | 0.8 |
| Battery voltage/rated capacity | (V/Ah) | 48V/20Ah Li |
| DC Drive Motor | | DC Motor speed control |
| Noise level at operator seat | (dB(A)) | 70 |
| Service weight with battery | (lb.) | 326 |



KKO A25S Stainless Steel Manual Pallet Jack



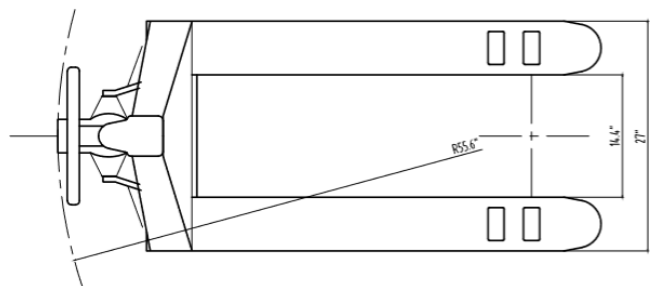
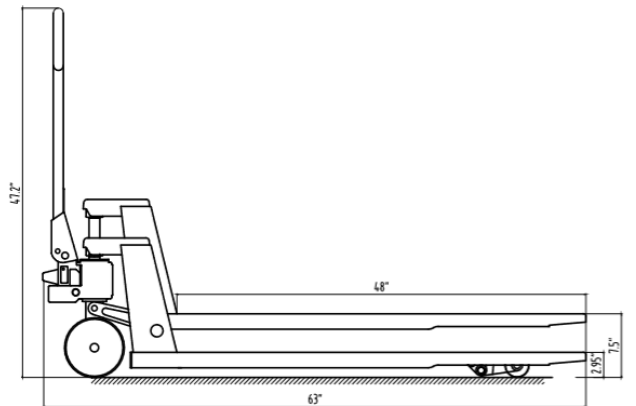
The EKKO A25S Stainless Steel Manual Pallet Jack is designed with quality materials, components and workmanship. Every product is robotically welded and is reliable for loading and unloading trucks, loading docks, stock rooms, manufacturing floors and warehousing.

The Specialized Pallet Truck is ideal for sanitary, pharmaceutical, medical, food, and wet environments. Pallet Truck is one-hundred percent (100%) type 304 stainless steel for long life in the harshest environments.

Made from high quality stainless steel and components with durable hydraulic pumps with quality load wheels to withstand any terrain, usage, impact and directional changes for the use of any application with confidence and assurance.

- Stainless Steel
- Load Capacity 5500 lb.
- Fork Size 27x48
- Raised Height 7.5"
- Lowered Height 2.95"
- Galvanized Hydraulic Pumps
- Nylon Wheels
- Ergonomic Handles
- Steel Construction
- Robotic Welding
- 3 years limited Warranty

| Model | | A25S |
|-------------------------|-------|------|
| Load Capacity | (lb.) | 5500 |
| Lifting height Max. | (in) | 7.5 |
| Fork length | (in) | 48 |
| Fork width | (in) | 27 |
| Fixed leg width, single | (in) | 6.3 |
| Overall length | (in) | 63" |
| Overall width max | (in) | 27 |
| Lowered fork height | (in) | 2.95 |
| Service Weight | (lb.) | 155 |



EKKO A25 Manual Pallet Jack

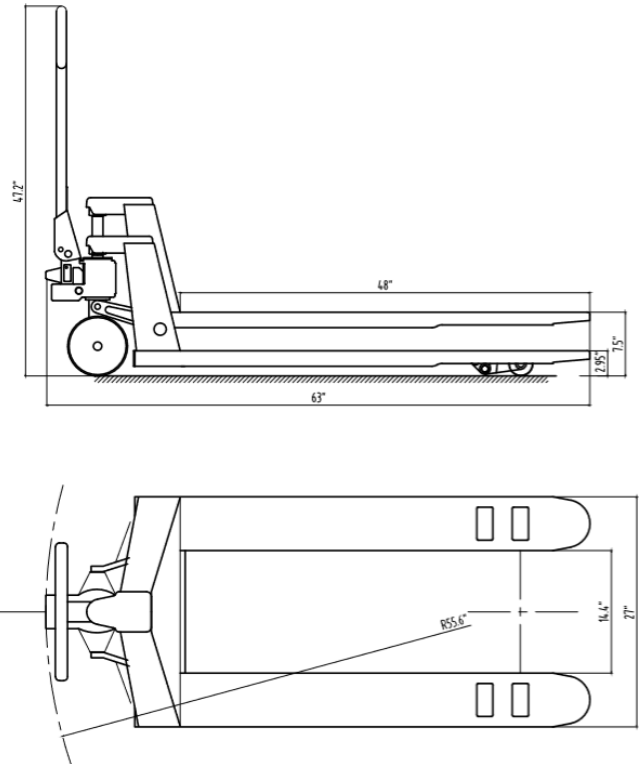


The EKKO A25 Manual Pallet Jack is designed with quality materials, components and workmanship. Every product is robotically welded, powder coated and is reliable for loading and unloading trucks, loading docks, stock rooms, manufacturing floors and warehousing.

Made from high quality steel and components with durable hydraulic pumps with quality load wheels to withstand any terrain, usage, impact and directional changes for the use of any application with confidence and assurance.

- Load Capacity 5500 lb.
- Fork Size 27x48
- Raised Height 7.5"
- Lowered Height 2.95"
- Galvanized Hydraulic Pumps
- Polyurethane Wheels
- Ergonomic Handles
- Powder Coated
- Steel Construction
- Robotic Welding
- 3 Year Limited Warranty

| Model | | A25 |
|-------------------------|-------|------|
| Load Capacity | (lb.) | 5500 |
| Lifting height Max. | (in) | 7.5 |
| Fork length | (in) | 48 |
| Fork width | (in) | 27 |
| Fixed leg width, single | (in) | 6.3 |
| Overall length | (in) | 63" |
| Overall width max | (in) | 27 |
| Lowered fork height | (in) | 2.95 |
| Service Weight | (lb.) | 160 |



EKKO T15 Scissor Lift Table Cart

The EKKO T15 Scissor Lift Table Cart is a compact cart to make lifting, transporting loads, order-picking, and moving products with ease. An ergonomic solution to lifting, positioning and transporting goods.

Our scissor carts are made of heavy duty steel and constructed to hold up for longevity. Two polyurethane front casters and two rear swivel casters with built-in hand release and foot pump.

- Load Capacity 330 lb.
- Raised Height 28.3"
- Lowered Height 8.3"
- Size Length 27.5" x Width 17.7"
- Polyurethane Casters
- Hand Release
- Foot Brake
- Steel construction
- Robotic Welding
- 3 Years Limited Warranty



| Model | | T15 |
|---------------------|-------|-------|
| Load Capacity | (lb.) | 330 |
| Lifting height Max. | (in) | 28.3 |
| Length | (in) | 27.5 |
| Width | (in) | 17.1 |
| Lowest height | (in) | 8.3 |
| Handle height | (in) | 31.89 |
| Service Weight | (lb.) | 88 |

EKKO T50 Heavy Duty Scissor Lift Table Cart

The EKKO T50 Heavy Duty Scissor Lift Table Cart is a compact cart to make lifting, transporting loads, order-picking, and moving products with ease. An ergonomic solution to lifting, positioning and transporting goods.

Our scissor carts are made of heavy duty steel and constructed to hold up for longevity. Two polyurethane front casters and two rear swivel casters with built-in hand release and foot pump.



- Load Capacity 1100lbs
- Raised Height 35.4"
- Lowered Height 11"
- Size Length 32.1" x Width 19.7"
- Polyurethane Casters
- Hand release
- Foot Brake
- Caster Guards
- Steel construction
- Robotic Welding
- 3 Years Limited Warranty

| Model | | T50 |
|---------------------|-------|-------|
| Load Capacity | (lb.) | 1100 |
| Lifting height Max. | (in) | 35.4 |
| Length | (in) | 32.1 |
| Width | (in) | 19.7 |
| Lowest height | (in) | 11 |
| Handle height | (in) | 31.89 |
| Service Weight | (lb.) | 180 |

EKKO T35 Dual Scissor Lift Table Cart

The EKKO T35 Dual Scissor Lift Table Cart is a compact cart to make lifting, transporting loads, order-picking, and moving products with ease. An ergonomic solution to lifting, positioning and transporting goods.

Our scissor carts are made of heavy duty steel and constructed to hold up for longevity. Two polyurethane front casters and two rear swivel casters with built-in hand release and foot pump.

- Load Capacity 770 lb.
- Raised Height 51.2"
- Lowered Height 14"
- Size Length 35.6" x Width 19.7"
- Polyurethane Casters
- Hand Release
- Foot Brake
- Caster Guards
- Steel construction
- Robotic Welding
- 3 Years Limited Warranty

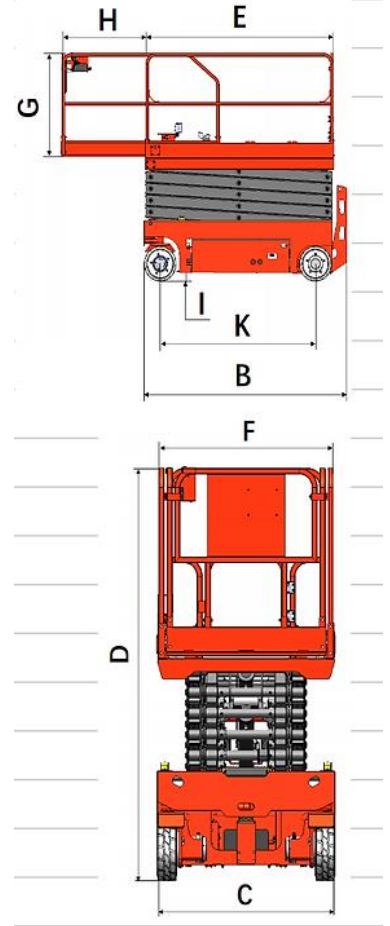
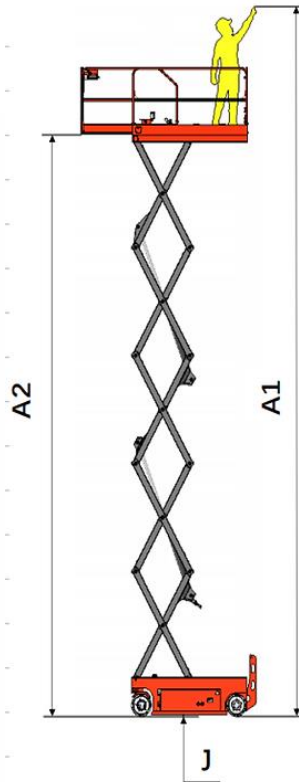


| Model | | T35 |
|---------------------|-------|------|
| Load Capacity | (lb.) | 770 |
| Lifting height Max. | (in) | 51.2 |
| Length | (in) | 35.6 |
| Width | (in) | 19.7 |
| Lowest height | (in) | 14 |
| Handle height | (in) | 38.2 |
| Service Weight | (lb.) | 234 |

EKKO ES40E Scissor Lift Aerial Platform

The EKKO ES40E Scissor Aerial Work Platform is a 506-lb capacity compact platform with four wheels and Curtis controller which allows you to make lifting, transporting loads, and moving products easily and safely. This product also complies with GB25849 and EN280 standards

- Load Capacity 500 lb.
- Raised Height 13.1' (157.5")
- Lowered Height 77"
- Size: Length 50.4" x Width 29.1"
- Steel construction
- 3 Years Limited Warranty

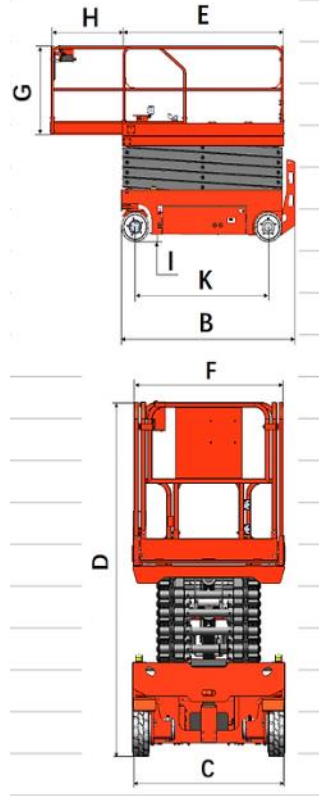
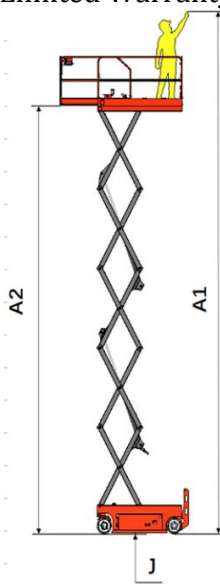


| Model | | ES40E |
|--|--------|--------------|
| Load Capacity | (lb.) | 500 |
| Maximum Number of Workers (indoor/outdoor) | | 2/- |
| Lifting height Max. | (in) | 157.5(13.1') |
| Length X Width | (in) | 50.4 x 29.1 |
| Platform Extension Size | (in) | 23.6 |
| Max Working Height | (in) | 236.2(19.6') |
| Lowered height | (in) | 76.8(6.4') |
| Guardrail height | (in) | 43.31 |
| Driving Speed (Lifted state/lowered state) | (km/h) | 0-0.8/0-4 |
| Rise/fall time | (S) | 25/25 |
| Battery | (V/Ah) | 12x2V/100Ah |
| Charger | VAC | 100-240 |
| Service Weight | (lb.) | 2050 |

EKKO ES60E Scissor Lift Aerial Platform

The EKKO ES60E Scissor Aerial Work Platform is a 506-lb capacity compact platform with four wheels and Curtis controller which allows you to make lifting, transporting loads, and moving products easily and safely. This product also complies with GB25849 and EN280 standards.

- Load Capacity 500 lb.
- Raised Height 19' (228")
- Lowered Height 86"
- Size: Length 65" x Width 30"
- Steel construction
- 3 Years Limited Warranty

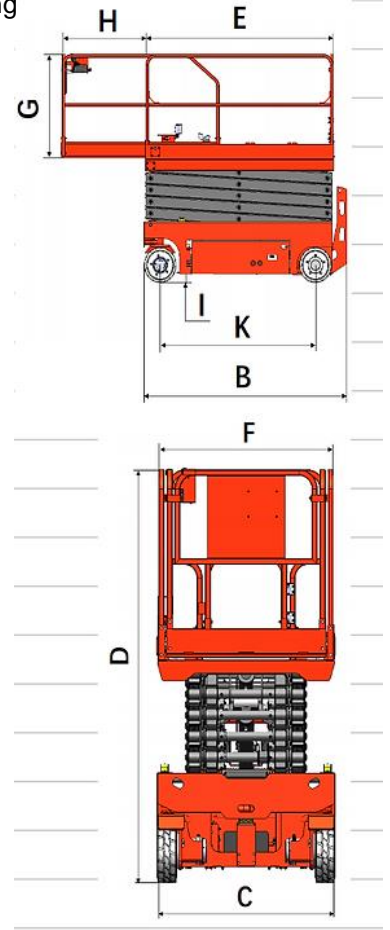
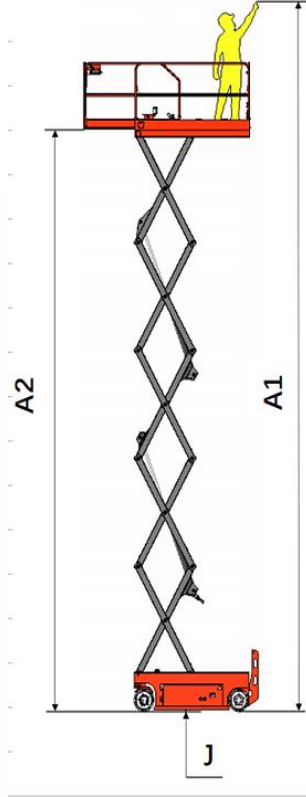


| Model | | ES60E |
|--|--------|-------------|
| Load Capacity | (lb.) | 500 |
| Maximum Number of Workers (indoor/outdoor) | | 2/- |
| Lifting height Max. | (in) | 228"(19') |
| Length X Width | (in) | 72.44x29.92 |
| Platform Extension Size | (in) | 35.43 |
| Max Working Height | (in) | 307"(25.6') |
| Lowered height | (in) | 86"(7.2') |
| Guardrail height | (in) | 43.31 |
| Driving Speed (Lifted state/lowered state) | (km/h) | 0-0.8/0-4 |
| Rise/fall time | (S) | 18/28 |
| Battery | (V/Ah) | 6x4V/180Ah |
| Charger | VAC | 100-240 |
| Service Weight | (lb.) | 3256 |

EKKO ES80E Scissor Lift Aerial Platform

The EKKO ES80E Scissor Aerial Work Platform is a 990-lb capacity compact platform with four wheels and Curtis controller which allows you to make lifting, transporting loads, and moving products easily and safely. This product also complies with GB25849 and EN280 standards.

- Load Capacity 990 lb.
- Raised Height 26.2' (315")
- Lowered Height 90.6"
- Size: Length 89" x Width 45"
- Steel construction
- 3 Years Limited Warranty



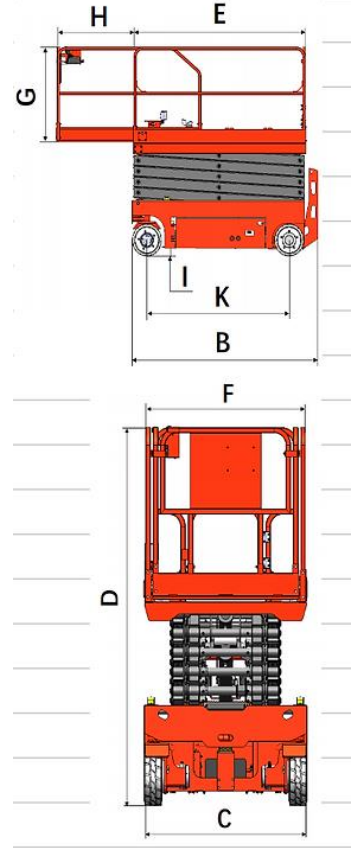
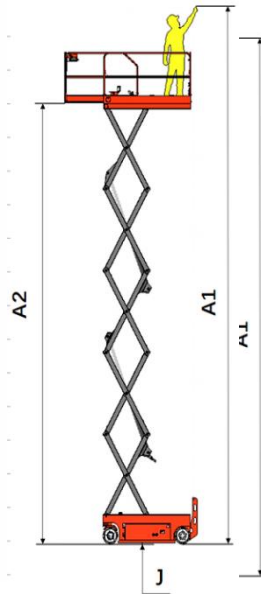
| Model | | ES80E |
|--|--------|-------------|
| Load Capacity | (lb.) | 990 |
| Maximum Number of Workers (indoor/outdoor) | | 2/1 |
| Lifting height Max. | (in) | 315"(26.2') |
| Length/Width | (in) | 94.5/45.27 |
| Platform Extension Size | (in) | 39.37 |
| Max Working Height | (in) | 394"(32.8') |
| Lowered height | (in) | 90.6"(7.5') |
| Guardrail height | (in) | 43.3 |
| Driving Speed (Lifted state/lowered state) | (km/h) | 0-0.8/0-3.2 |
| Rise/fall time | (s) | 32/35 |
| Battery | (V/Ah) | 6x4V/180Ah |
| Charger | VAC | 100-240 |
| Service Weight | (lb.) | 5412 |

EKKO ES100E Scissor Lift Aerial Platform



The EKKO ES100E Scissor Aerial Work Platform is a 700-lb capacity compact platform with four wheels and Curtis controller which allows you to make lifting, transporting loads, and moving products easily and safely. This product also complies with GB25849 and EN280 standards.

- Load Capacity 700 lb.
- Raised Height 32.8' (394")
- Lowered Height 96.85"
- Size: Length 89" x Width 45"
- Steel construction
- 3 Years Limited Warranty

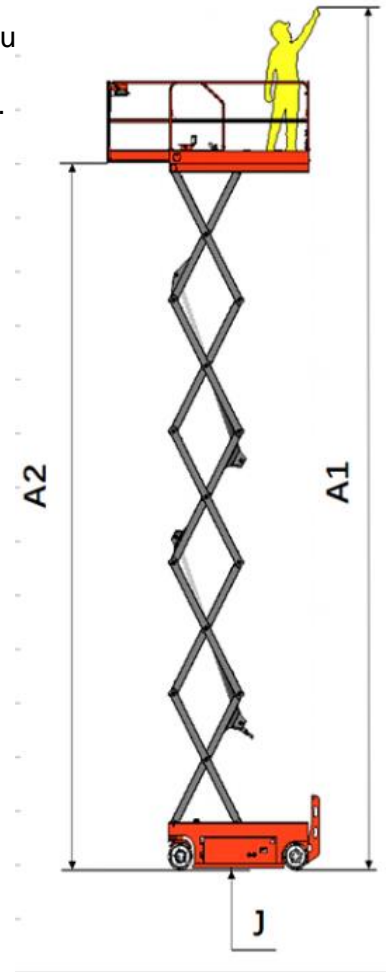
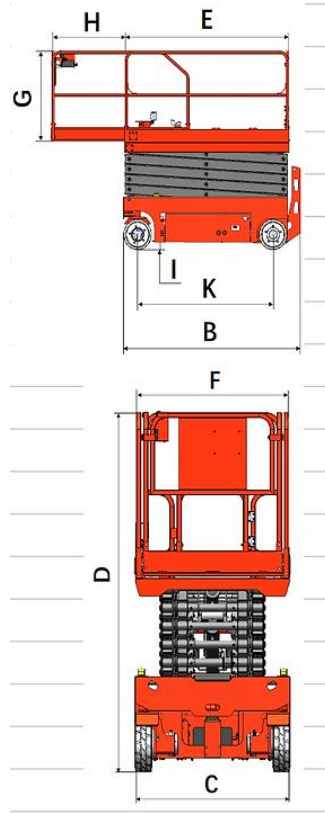


| Model | | ES100E |
|--|--------|-------------|
| Load Capacity | (lb.) | 700 |
| Maximum Number of Workers (indoor/outdoor) | | 2/1 |
| Lifting height Max. | (in) | 394"(32.9') |
| Length/Width | (in) | 94.5/45.27 |
| Platform Extension Size | (in) | 39.37 |
| Max Working Height | (in) | 472"(39.3') |
| Lowered height | (in) | 96.85"(8') |
| Guardrail height | (in) | 43.3 |
| Driving Speed (Lifted state/lowered state) | (km/h) | 0-0.8/0-3.2 |
| Rise/fall time | (S) | 52/48 |
| Battery | (V/Ah) | 6x4V/180Ah |
| Charger | VAC | 100-240 |
| Service Weight | (lb.) | 6204 |

EKKO ES120E Scissor Lift Aerial Platform

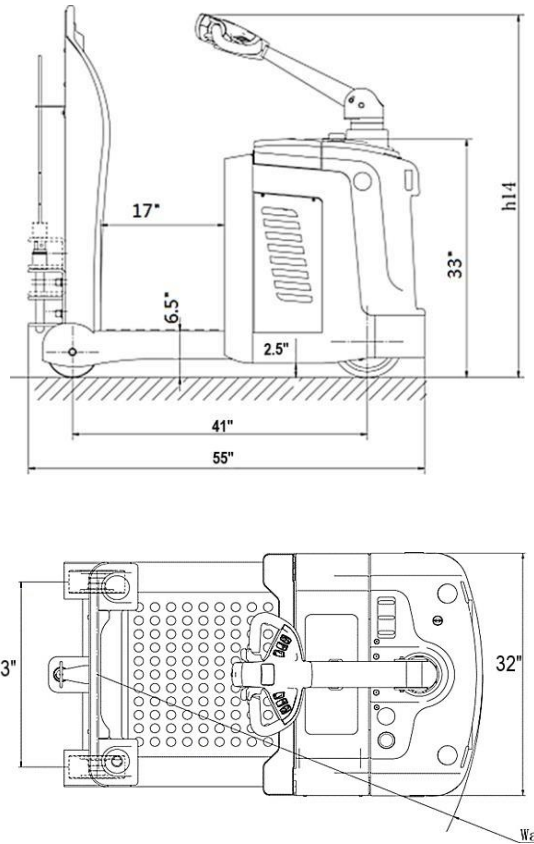
The EKKO ES120E Scissor Aerial Work Platform is a 700-lb capacity compact platform with four wheels and Curtis controller which allows you to make lifting, transporting loads, and moving products easily and safely. This product also complies with GB25849 and EN280 standards.

- Load Capacity 700 lb.
- Raised Height 39' (468")
- Lowered Height 102.36"
- Size: Length 89" x Width 45"
- Steel construction
- 3 Years Limited Warranty



| Model | | ES120E |
|--|--------|---------------|
| Load Capacity | (lb.) | 700 |
| Maximum Number of Workers (indoor/outdoor) | | 2/- |
| Lifting height Max. | (in) | 468'(39') |
| Length/Width | (in) | 94.5/45.27 |
| Platform Extension Size | (in) | 39.37 |
| Max Working Height | (in) | 547"(45.6') |
| Lowered height | (in) | 102.36"(8.5') |
| Guardrail height | (in) | 43.3 |
| Driving Speed (Lifted state/lowered state) | (km/h) | 0-0.8/0-3.2 |
| Rise/fall time | (S) | 52/52 |
| Battery | (V/Ah) | 6x4V/240Ah |
| Charger | VAC | 100-240 |
| Service Weight | (lb.) | 6490 |

EKKO EG30 Tow Tractor



The EKKO EG30 Tow Tractor is designed for tugging and pulling applications made with quality materials, components and workmanship. Every product is robotically welded, powder coated and is reliable for loading and unloading trucks, loading docks, stock rooms, manufacturing floors and warehousing.

Made from high quality steel and components to withstand any terrain, usage, impact and directional changes for the use of any application with confidence and assurance.

- Tow Capacity 10,000 lb.
- Curtis Instrument Controller
- AC Drive 1.3
- Standing Drive
- Polyurethane Wheels
- EPS (Electronic Power Steering)
- Ergonomic Handle and Controls
- Steel Construction
- Robotic Welding
- 24V/210Ah
- 3 Year Limited Warranty

| Model | | EG30 |
|--|---------|------------------------|
| Power unit | | Electric |
| Operation | | Standing |
| Tow Weight | (lb.) | 10,000 |
| Overall length | (in) | 55 |
| Overall width | (in) | 32 |
| Overall Height | (in) | 53 |
| Turning radius | (in) | 49 |
| Max gradient performance laden/unladen | (%) | 3/15 |
| AC Drive motor | (W) | 1300W |
| Battery voltage/rated capacity | (V/Ah) | 24V/210Ah |
| AC Drive Motor | | AC Motor speed control |
| Noise level at operator seat | (dB(A)) | 68 |
| Service weight (w/ battery) | (lb.) | 1445 |

EKKO[®]

MATERIAL HANDLING EQUIPMENT



EKKO Material Handling Equipment Mfg. Inc.

1761 W. Holt Ave.

Pomona, CA. 91768

T: (877) 232-6517

O: (909) 222-6529

F: (909) 222-6861

info@ekkolifts.com

www.ekkolifts.com