

# EKKO<sup>®</sup>

MATERIAL HANDLING EQUIPMENT

**MOVING AHEAD**

## **TOW TRACTOR EG30**

- 10,000 lbs. Tow Capacity
- 53 in. Height
- 32 in. Width
- Curtis Instrument Controller
- EPS (Electronic Power Steering)
- Batteries and Charger Included
- 3 Year Limited Warranty



## EG30

**Superior quality, maneuverable, compact, and durable for all your material handling applications. Ideal for small aisles and areas.**

**TOW CAPACITY:** 10,000 lbs.

**HEIGHT:** 53"

**OVERALL LENGTH:** 55"

**TURNING RADIUS:** 49"

**INTEGRAL BATTERY / CHARGER:** 24V 210AH, 24-volt deep cycle maintenance-free batteries with external direct connect 110A 110VAC plug-in automatic 24V/30A charger (both Included)

**SPEED TRAVEL:** 5 mph empty ; 4.3 mph loaded

**DRIVE WHEELS:** 9.2" x 3" polyurethane

**LOAD WHEELS:** (2) 4" x 3" polyurethane

**DRIVE MOTOR:** 24V 1300Watt AC drive motor for efficiency and high torque.

**STEERING MOTOR:** EPS (Electric Power-Steering) 200Watt Motor

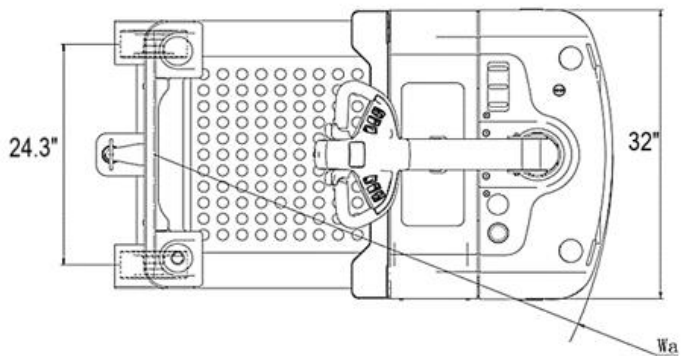
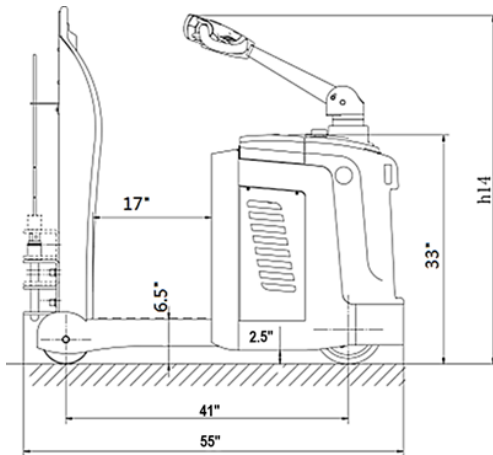
**AC CONTROLLER:** 24V CURTIS Instrument provides performance through entire range of speed; Constant travel speed regardless of load; Battery discharge indicator combination gauge.

**BRAKES:** Electro-magnetic braking for secure stopping power; Electronic neutral braking for accurate control.

**OPERATOR CONTROLS:** Throttle, lifting, lowering, turtle mode and horn functions are located in the ergonomic handle; Offset steering handle to provide better visibility; Belly button reverse safety feature allows the unit to stop and reverse to avoid collision or injury.

**CHASSIS:** Robotic Welding; Heavy duty steel, High Padded Backrest for ergonomics





MODEL #	LENGTH	TOW CAPACITY	WIDTH	SERVICE WEIGHT
EG30	55"	10,000lbs	32"	1445lbs