

CONTENTS

1.Bodywork system

1.1BODYWORK SYSTEM..... 1

1.2CONNECTING ROD ROCKER ASSEMBLY..... 3

2.Driving assembly

2.1DRIVING ASSEMBLY 5

2.2DRIVING ASSEMBLY..... 7

3.Operating system

3.1OPERATING HANDLE ASSEMBLY..... 9

4.Hydraulic system

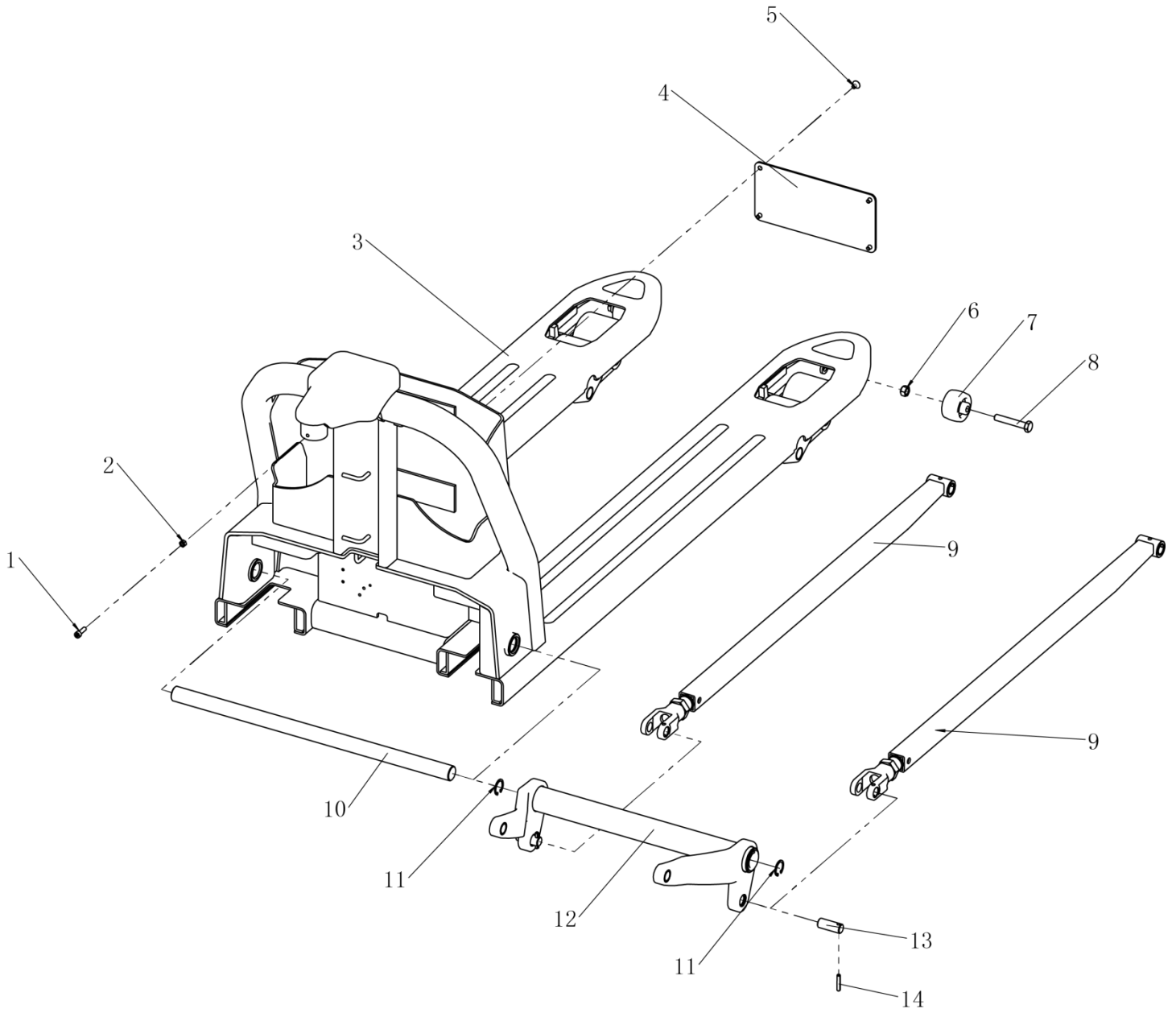
4.1POWER UNIT 11

5.Electrical system

5.1ELECTRICAL ASSEMBLY..... 13

5.2CABLE ASSEMBLY 15

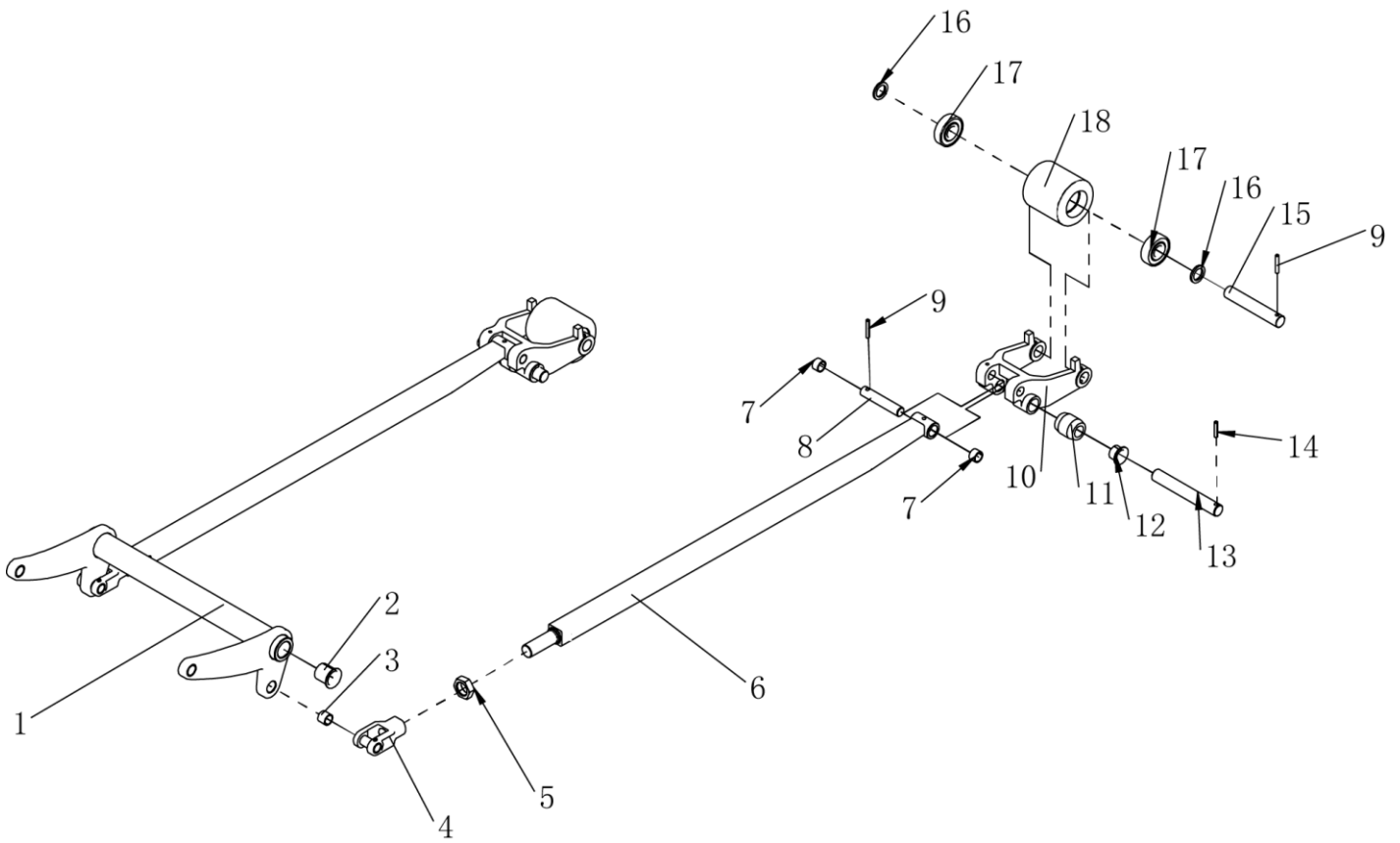
1.1 Bodywork system



1.1 Bodywork system

No.	Code No.	Description	Specification	Qty.	Remark
1	03.01049	Hexagon socket head cap screws	M6×20	1	GB/T 70.1-2000
2	03.0257	Hexagon nut	M6	1	GB/T 6170-2000
3	33.050.0003	Main frame welding (550Type)		1	
	33.050.0004	Main frame welding (685Type)			
4	30.44.037	Front sealing plate		1	
5	03.0087	Hexagon socket head screw	M6×10	4	GB/T 70.3-2000
6	03.0243	Hexagon lock nut	M10	2	GB/T 6184-2000
7	30.28.0137	Roller		2	
8	03.03820	Hexagon Head bolt full thread	M10×60	2	GB/T 5783-2000
9	82.45.0012	Push rod assembly		2	
10	30.01.3311	Back shaft (550 Type)		1	
	30.28.0089	Back shaft (685 Type)			
11	03.0024	Hole Circlip	Φ25	2	GB 893.1-86
12	82.451.0009	Ring rod assembly (550 Type)		1	
	82.451.0008	Ring rod assembly (685 Type)			
13	30.01.6569	Axle		2	
14	03.0305	Elastic cylindrical pin	Φ5×30	2	GB/T879.2-2000

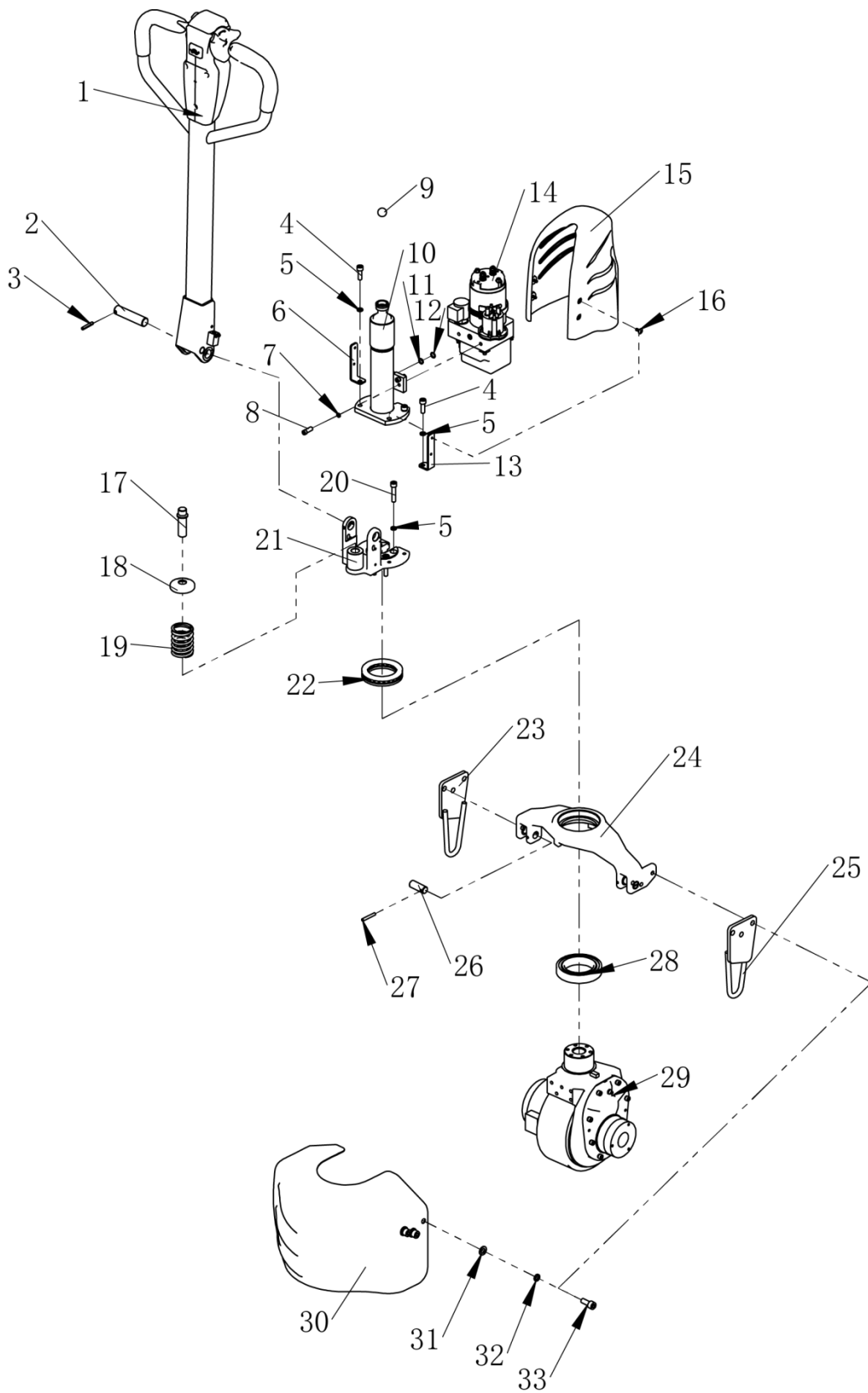
1.2 Connecting rod rocker assembly



1.2 Connecting rod rocker assembly

No.	Code No.	Description	Specification	Qty.	Remark
1	33.050.0007	Ring rod assembly (550 Type)		1	
	33.050.0008	Ring rod assembly (685 Type)			
2	03.04422	Composite set with shoulder	$\Phi 35 \times \Phi 28 \times \Phi 25 \times 27$	2	
3	03.0691	Composite set	$\Phi 16 \times \Phi 19 \times 15$	4	
4	30.01.6601	Push-rod bracket		2	
5	03.0943	Hexagon thin nut Fin thread	M22×1.5	2	GB/T 6173-2000
6	33.030.0025	Push -rod welding		2	
7	03.0451	Composite set	$\Phi 16 \times \Phi 19 \times 12$	4	
8	30.28.0093	Push-Rod mounting Shaft		2	
9	03.0303	Elastic cylindrical pin	$\Phi 5 \times 35$	4	GB/T879.2-2000
10	30.28.0082	Wheel bracket		2	
11	30.01.2845	Drop out Roller		2	
12	03.0453	Composite set with shoulder	$\Phi 31 \times \Phi 23 \times \Phi 20 \times 16.5$	4	
13	30.28.0164	Wheel bracket Mounting shaft		2	
14	03.0305	Elastic cylindrical pin	$\Phi 5 \times 30$	2	GB/T879.2-2000
15	30.01.3629	Pin shaft		2	
16	30.09.0057	Wheel bracket check ring		4	
17	03.90.057	Deep groove ball bearing	6204	4	GB/T 276-94
18	02.LZ.0137	Small roller	$\Phi 70 \times 80$	2	

2.1 Driving assembly

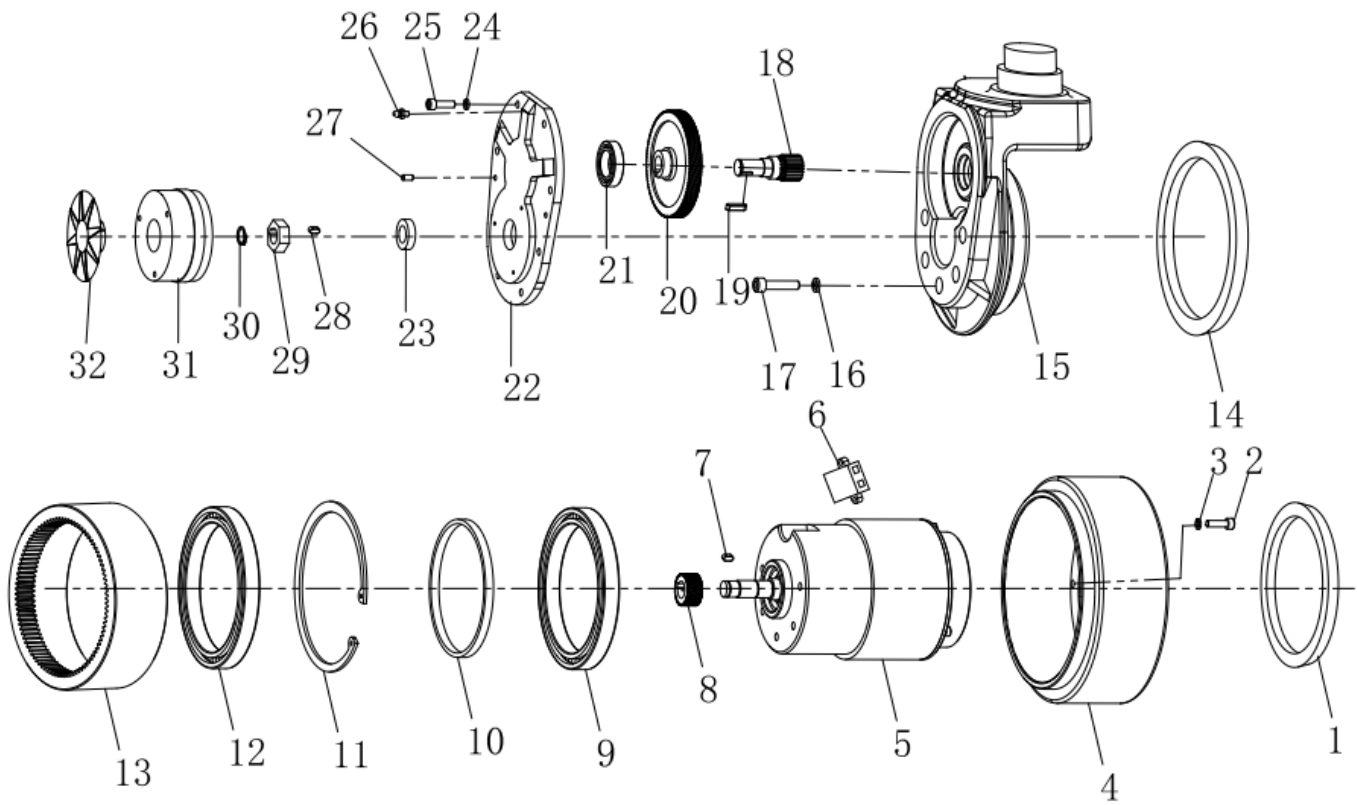


2.1 Driving assembly

No.	Code No.	Description	Specification	Qty.	Remark
1	82.451.0004	Operating handle assembly		1	
2	30.20.0014	Rotation shaft		1	
3	03.0303	Elastic cylindrical pin	Φ5×35	1	GB/T879.2-2000
4	03.01561	Hexagon socket head cap screws	M8×25	4	GB/T 70.1-2000
5	03.0013	Spring washer	Φ8	9	GB/T 93-1987
6	30.20.0015	Motor Mounting plate left		1	
7	03.0011	Spring washer	Φ6	4	GB/T 93-1987
8	03.0149	Hexagon socket head cap screws	M6×20	4	GB/T 70.1-2000
9	03.07391	Steel ball	Φ19.05	1	GB / T308-77
10	02.YG.3690	Cylinder assembly		1	
11	02.01.9314	Circlip	9.9×12.6×1.25	1	
12	03.05131	O sharp rubber sealing ring	9.5×1.8	1	
13	30.20.0016	Motor Mounting plate right		1	
14	02.DLDY.3475	Power unit	24V/0.5KW	1	
15	02.FGJ.3447	Motor cover		1	
16	03.0632	Cross screw with large flat head	M5×12	4	GB 973-1976
17	30.60.0003	Small piston rod		1	
18	30.20.0013	Spring Cover		1	
19	03.1060	Handle spring		1	

20	03.0159	Hexagon socket head cap screws	M8×40	4	GB/T 70.1-2000
21	30.20.0017	Drive clamping plate		1	
22	03.90.0121	Thrust ball bearing	51113	1	GB/T 301-1995
23	33.048.0001	Balance frame welding Left		1	
24	30.20.0006	Bearing bridge		1	
25	33.048.0002	Balance frame welding right		1	
26	03.0306	Elastic cylindrical pin	Φ5×40	2	GB/T879.1-2000
27	30.20.0002	Drive connection shaft		2	
28	03.90.091	Deep groove ball bearing	6013	1	GB/T 276-94
29	02.QD.0287	Driving assembly	24V/0.75Kw	1	
30	30.20.0022	Driving cover		1	
31	03.0043	Flat Washer	Φ10	6	GB/T 95-2002
32	03.0014	Spring washer	Φ10	6	GB/T 93-1987
33	03.0165	Hexagon socket head cap screws	M10×25	6	GB/T 70.1-2000

2.2 Driving assembly

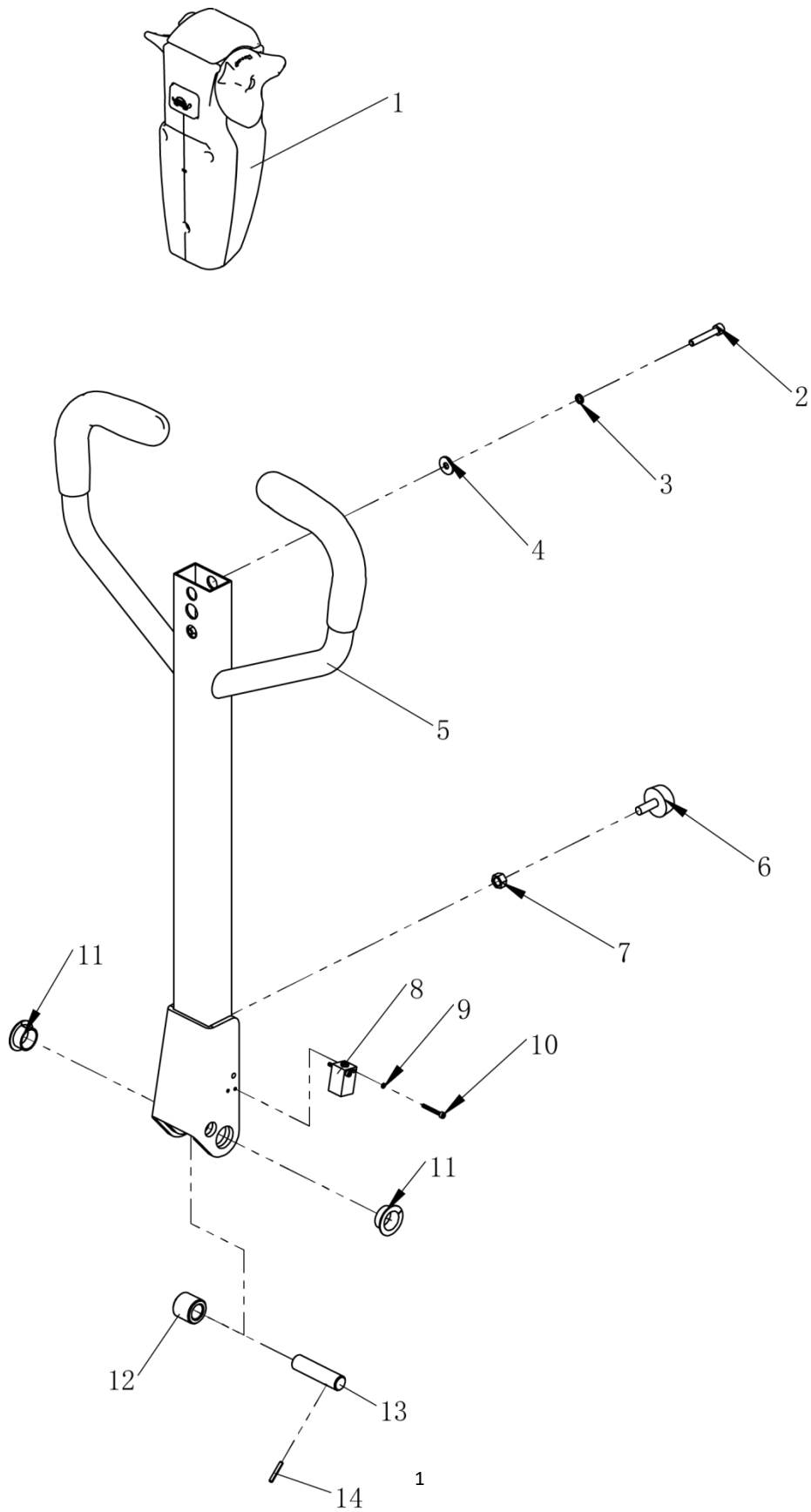


2.2 Driving assembly

No.	Code No.	Description	Specification	Qty.	Remark
1	GB/T13871-92	Framework oil seal	VC 130*145-10	8	
2	03.01049	Hexagon socket head cap screws	M6×20	8	GB/T 70.1-2000
3	03.0011	Spring Washer	Φ6	8	GB/T79-1987
4	1115-220000-0B	Driving wheel		1	
5	Z130D750-24A1-26.5S	Driving motor		1	
6	JX6-2	Connecting box		1	
7	GB/T1096-2003	Key 5*5*14 double round head	A type Key	1	
8	1115-200005-0B	Small helical		1	
9	GB/T276-94	Anti-friction bearing61824-2RS	Φ120*Φ150*16	1	
10	ZD-NL-571-001	Adjust Washer	40CR	1	
11	GB/T 893.1-86	Circlip for hole	Φ150	1	
12	GB/T276-94	Anti-friction bearing61824-2RS	Φ120*Φ150*16	1	
13	1115-200002-0B-X	Straight ring	20CrMnTi	1	
14	GB/T13871-92	Framework oil seal	TCΦ155*Φ172*10	1	
15	ZD-SJ-504-001	BOX	QT450	1	
16	03.0013	Spring Washer	Φ8	5	GB/T79-1987
17	03.0158	Hexagon socket head cap screws	M8×35	5	GB/T 70.1-2000
18	1115-200003-0B	Small straight tooth		1	
19	GB/T1096-2003	Key 5*5*20 double round head	A type Key	1	

20	1115-200004-0B	Large tooth		1	
21	GB/T276-94	Anti-friction bearing	61905-ZZ	1	
22	ZD-RY-505-001	Box cover	ADC12	1	
23	GB/T13871-92	Framework oil seal	TCΦ16*Φ28*7	1	
24	03.0011	Spring Washer	Φ6	8	GB/T79-1987
25	03.01049	Hexagon socket head cap screws	M6×20	8	GB/T 70.1-2000
26	JB/T7940.1-1995	Straight-through injection oil cup		1	
27	GB/T119.1-2000	Locating pin	5*15	1	
28	GB/T1096-2003	Key 5*5*8double round head	A type Key	1	
29	ZD-NL-571-002	Brake hex		1	
30	GB/T894.1-86	Circle for shaft	Φ15	1	
31	ZD-HZDC-362-001	6N.M Brake		1	
32	ZD-ZJNL-076-001	Brake plug		1	

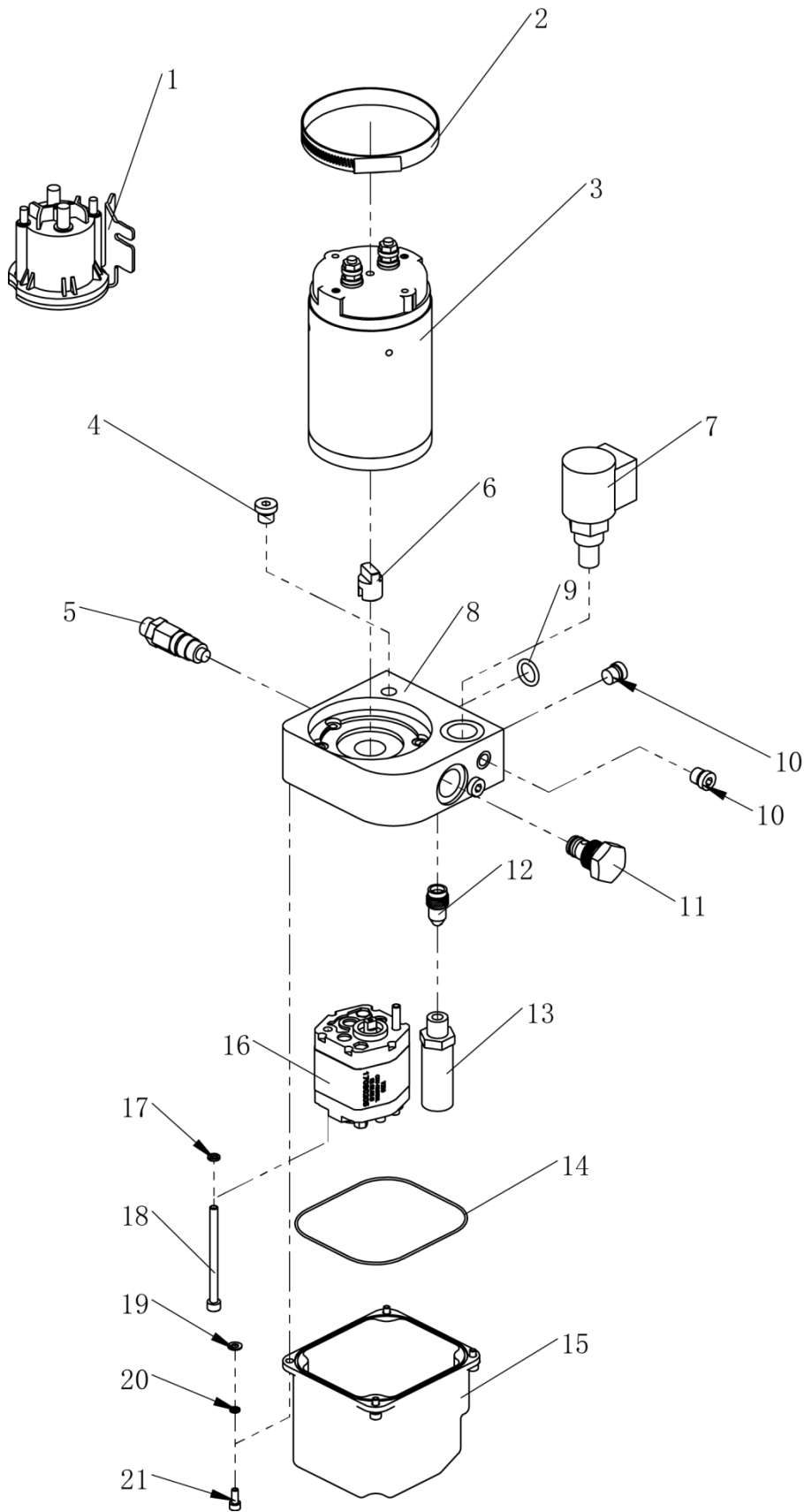
3.1 Operating handle assembly



3.1 Operating handle assembly

No.	Code No.	Description	Specification	Qty.	Remark
1	02.SB.3186	Handle (with Electricity meter and password lock)	REMA P/N CAN BUS	1	
2	03.0145	Hexagon socket head cap screws	M6×12	2	GB/T 70.1-2000
3	03.0011	Spring washer	Φ6	2	GB/T 93-1987
4	03.0003	Big washer	Φ6	2	GB/T 96.1-2002
5	30.20.0011	Handlebar welding		1	
6	02.01.2315	Shock pad		1	
7	03.0258	Hexagon nut	M8	1	GB/T 6170-2000
8	02.01.9274	Proximity switch	24V	1	
9	03.00091	Spring washer	Φ3	2	GB/T 93-1987
10	03.01301	Hexagon socket head cap screws	M3×25	2	GB/T 70.1-2000
11	03.0692	Composite set with shoulder	Φ31×Φ23×Φ20×10	2	
12	30.01.3293	Pressing Roller		1	
13	30.02.047	Shaft		1	
14	03.0702	Elastic cylindrical pin	Φ3×22	1	GB/T 879.1-2000

4.1 Power unit

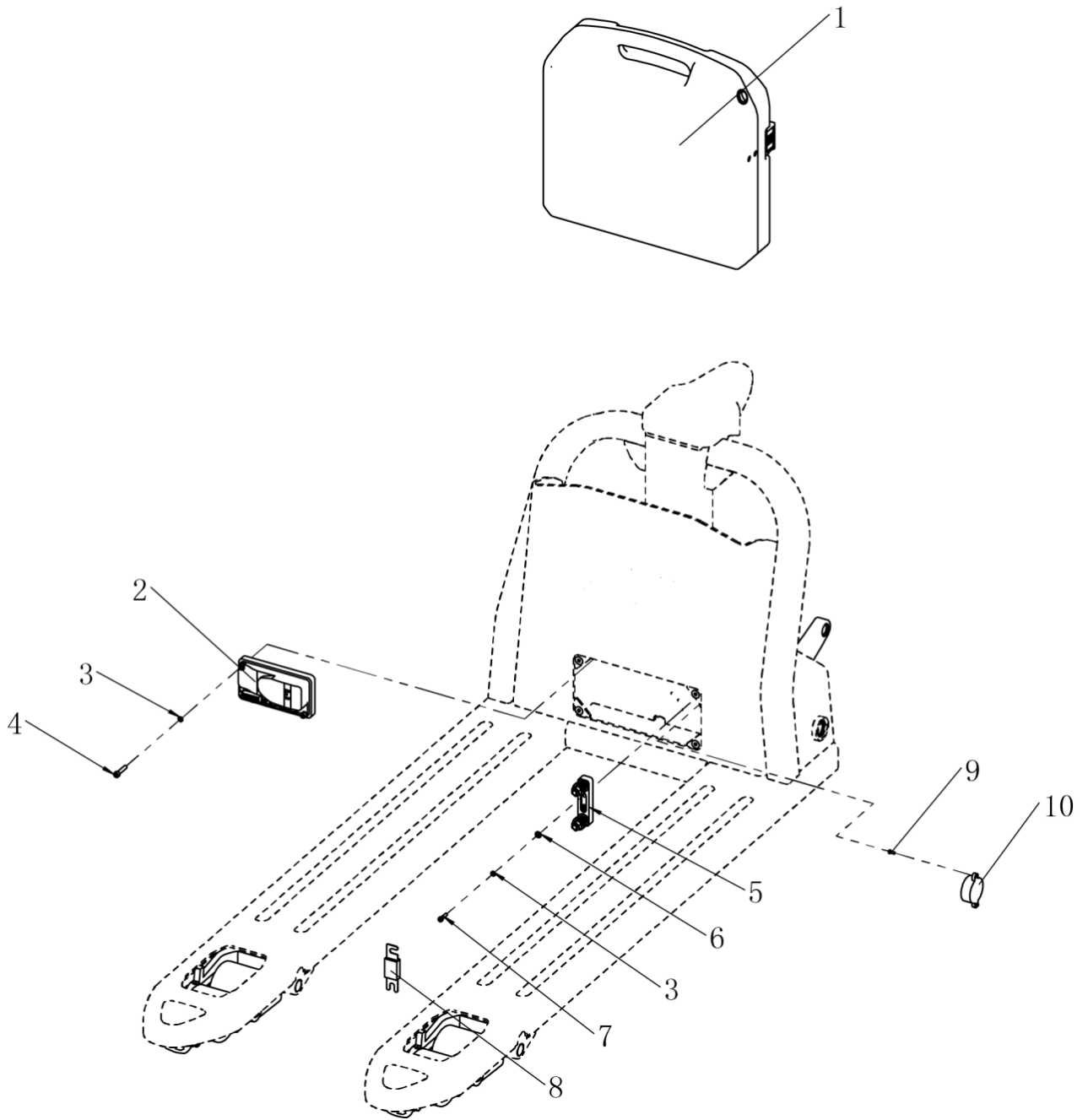


4.1 Power unit

No.	Code No.	Description	Specification	Qty.	Remark
1	02.01.9264	DC contactor	100A	1	
2	03.1045	Hoop		1	
3	02.DJ.33628	DC Motor	24V/0.5Kw	1	
4	19.1385	Silencer	BSLM-01 (R1/8)	1	
5	02.01.90291	Overflow Valve	YF08-01	1	
6	02.01.9332	Coupling		1	
7	02.01.9334	Solenoid valve	24V	1	
8	02.01.9336	Valve body		1	
9	03.05162	O sharp rubber sealing ring	13×2.65	1	
10	02.01.9153	Plug(with O ring)	5/16	3	
11	02.01.9028	Check valve	DF08-01	1	
12	02.01.9338	Pressure filling valveG1/4	1.2mm/3L	1	
13	02.YYL.3980	Oil return pipeG1/4		1	
14	03.05163	O sharp rubber sealing ring	105×1. 5	1	L=323.5
15	02.01.9339	fuel tank		1	
16	02.01.9337	Gear pump	HDK0.5S0.50B3L2B-B	1	
17	03.0007	Spring washer	Φ5	2	GB/T 93-1987
18	03.03646	Hexagon socket head cap screws	M5×60	2	GB/T 70.1-2000
19	03.00491	Flat Washer	Φ4	4	GB/T 95-2002
20	03.0008	Spring washer	Φ4	4	GB/T 93-1987

21	03.0123	Hexagon socket head cap screws	M4×10	4	GB/T 70.1-2000
----	---------	--------------------------------	-------	---	----------------

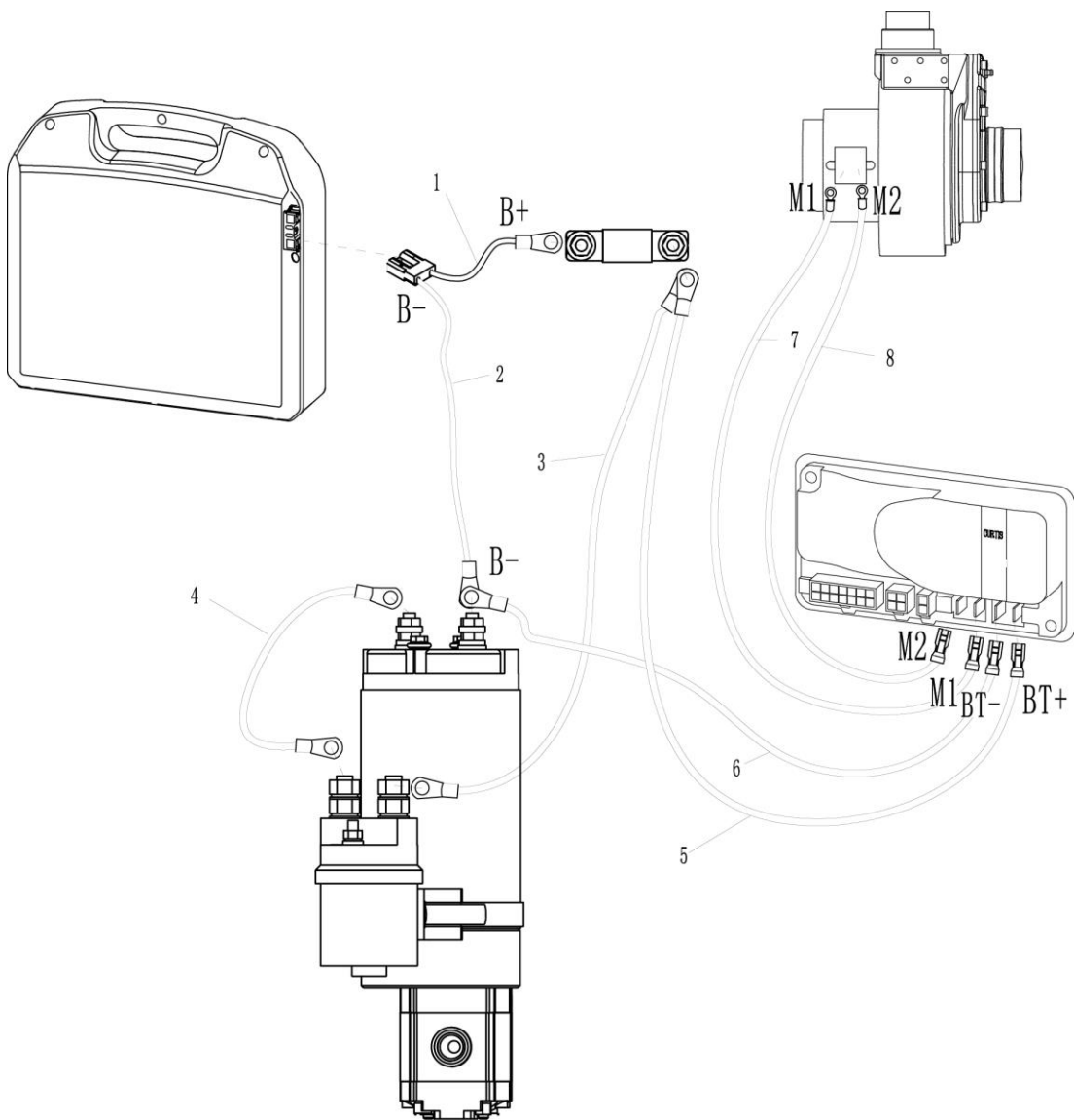
5.1 Electrical assembly



5.1 Electrical assembly

No.	Code No.	Description	Specification	Qty.	Remark
1	02.XDC.3423	Lithium battery	24V/30AH	1	Standard configuration
			24V/40AH	1	Optional configuration
2	02.KZQ.2377	Controller	1212C-2506	1	
3	03.01410	Hexagon socket head cap screws	M5×25	2	GB/T 70.1-2000
4	03.0007	Spring washer	Φ5	4	GB/T 93-1987
5	02.01.3057	Fuse base	SY Y	1	
6	03.0055	Flat Washer	Φ5	2	GB/T 95-2002
7	03.0133	Hexagon socket head cap screws	M5×16	2	GB/T 70.1-2000
8	19.03450	Fuse	CNP-100A	1	
9	03.02151	Cross recess pan head screw	M3×8	2	GB/T 818-2000
10	19.03620	Buzzer	24V	1	

5.2 Cable assembly



5.2Cable assembly

No.	Code No.	Description	Specification	Qty.	Remark
1	02.XSXC.3429-001	B+Cable		1	
2	02.XSXC.3429-002	B-Cable		1	
3	02.XSXC.3429-003	BP+Cable		1	
4	02.XSXC.3429-004	P+Cable		1	
5	02.XSXC.3429-005	BT+Cable		1	
6	02.XSXC.3429-006	BT-Cable		1	
7	02.XSXC.3429-007	M1Cable		1	
8	02.XSXC.3429-008	M2Cable		1	

The power of interpretation of this part catalogue will be preserved by the manufacturer eventually.