

# EKKO

MATERIAL HANDLING EQUIPMENT

**MOVING AHEAD**

## STAND-UP RIDER FORKLIFT EK18RF SERIES

- Load Capacity 4000 lbs.
- Lift Height 189-216 in. 3 Stage
- Side Shifting Forks
- 48V/420Ah Industrial Battery
- Free Lift 61-70"
- Hydraulic Power Steering
- Length 70"
- Curtis Controller
- German ZF AC Motor
- Tilt 3/6 degree
- Mast Height 78.5"
- Overhead Guard 89.5"
- Battery & Charger
- 3 Year Ltd. Warranty



## *EK18RF Series*

**Superior quality, maneuverable, compact, and durable for all your material handling applications. Ideal for dock picking and smaller aisles.**

**WEIGHT CAPACITY:** 4000 lbs. @ 24" load center

**LIFT HEIGHT:** 189-216"

**SIDE SHIFTING FORKS:** 45.3"

**MAST HEIGHT:** 82.6-91.77"

**TURNING RADIUS:** 61

**FREE LIFT:** 52-61"

**TILT:** 3/6 degree

**INDUSTRIAL BATTERY / CHARGER:** 48V 420Ah,  
Industrial battery with external 48V/65A three phase  
480V charger.

**BRAKING:** Drum brakes

**SPEED TRAVEL:** 9 mph empty ; 7.5 mph loaded

**LIFTING SPEED:** 16 ips empty; 9.9 ips loaded

**LOWERING SPEED:** 10.2 ips empty; 9.5 ips loaded

**FRONT WHEELS:** Solid Cushion

**REAR DRIVE WHEELS:** Polyurethane

**HYDRAULICS LIFTING MOTOR:** 48V 7700 Watt lifting motor with hardened chrome moly steel for durability.

**DRIVE MOTOR:** 48V 7500-Watt ZF AC drive motor for efficiency and high torque.

**AC CONTROLLER:** 48V Curtis provides performance through entire range of speed; Constant travel speed regardless of load; Battery discharge indicator combination gauge.

**BRAKES:** Drum Brakes with Electro-magnetic braking for secure stopping power

**LIGHTING:** LED Head lights, turn signals and brake lights.

**OPERATOR CONTROLS:** Tilt, lifting, lowering, side shifting forks, horn functions are located in the ergonomic sit down; Led lighting.

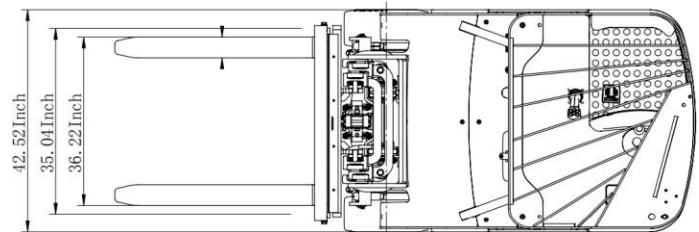
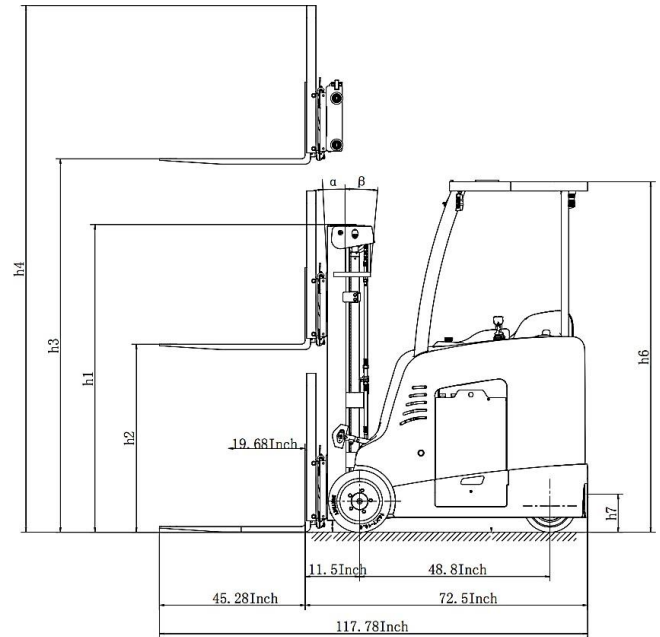
**CHASSIS AND MAST:** Robotic Welding; Heavy duty steel chassis with I-beam mast for durability; Telescoping mast.



# Rider Forklift



Model		EK18RFL	EK18RF
Power unit		Electric	Electric
Operation Type		Rider	Rider
Loading capacity	Q (LBS)	4000	4000
Load centre	c (Inch)	19.68	19.68
Axle centre to fork face	x (Inch)	11.5	11.5
Wheelbase	y (Inch)	48.8	48.8
Service weight with battery	LBS	7870	7940
Wheels type		Solid wheel	Solid wheel
Driving wheel size	Φ×w(Inch)	16×7-10.5 ( 15.98×7.01×10.51 )	16×7-10.5 ( 15.98×7.01×10.51 )
Bearing wheel size	Φ×w(Inch)	13.5×5.2	13.5×5.2
Wheels, number front/rear		1×/2	1×/2
Track width	b <sub>10</sub> (Inch)	35.04	35.04
Mast/fork carriage tilt, fwd/bwd	a/b (°)	3/5	3/5
Lowered mast height	h <sub>1</sub> (Inch)	82.6	91.77
Free lift height	h <sub>2</sub> (Inch)	52.17	61.34
Lift height	h <sub>3</sub> (Inch)	188.98	216.54
Extended mast height	h <sub>4</sub> (Inch)	220.87	248.43
Height of overhead guard (cabin)	h <sub>6</sub> (Inch)	90.08	90.08
Height of seat/stand-on platform	h <sub>7</sub> (Inch)	9.06	9.06
Overall length	l <sub>1</sub> (Inch)	117.78	117.78
Length to fork face	l <sub>2</sub> (Inch)	72.52	72.52
Overall width	b <sub>1</sub> / b <sub>2</sub> (mm)	42.52/42.13	42.52/42.13
Fork dimensions	s/e/l (Inch)	1.58/4.72/45.28	1.58/4.72/45.28
Width of forks	b <sub>3</sub> (Inch)	36.22	36.22
Ground clearance under mast	m <sub>1</sub> (Inch)	2.95	2.95
Min.Ground clearance	m <sub>2</sub> (Inch)	3.86	3.86
Aisle width with pallet 1000 x 1200 across forks	Ast (Inch)	117.24	117.24
Aisle width with pallet 800 x 1200 along forks	Ast (Inch)	125.12	125.12
Min.Turning radius	Wa (Inch)	58.5	58.5
Travel speed,laden/unladen	(km/h)	12/13	12/13
Lifting speed, with/without load	(mm/s)	250/400	250/400
Lowering speed, with/without	(mm/s)	240/258	240/258
Climbing ability, with/without	(%)	6/10	6/10
Service brake		Hydraulic	Hydraulic
Drive motor, 60-minute rating	(kW)	6	6
Lift motor rating at S3 15%	(kW)	7.7	7.7
Battery according to DIN 43531/35/36 A,B,C,no		no	no
Battery voltage/rated capacity	(V/Ah)	48/420	48/420
Battery weight (± 5%)	(LBS)	1570	1570
Power consumption VDI	(mm)	38*18.1*29.53	38*18.1*29.53
Type of drive control		AC	AC
Noise level at operator's ear	(dB(A))	≤70	≤70
steering type		Hydraulic steering	Hydraulic steering



MODEL #	LOWERED MAST	LIFT HEIGHT	FREE LIFT	MAX MAST HEIGHT	TOTAL LENGTH	SERVICE WEIGHT
EK18RFL	82.6"	189"	52.17"	220.87"	70"	7870lbs
EK18RF	91.77"	216"	61.34"	248.43"	70"	7940lbs