

# **EKKO**<sup>®</sup>

**MATERIAL HANDLING EQUIPMENT**

## **PART LIST**      **MOVING AHEAD**

ELECTRIC PALLET TRUCK

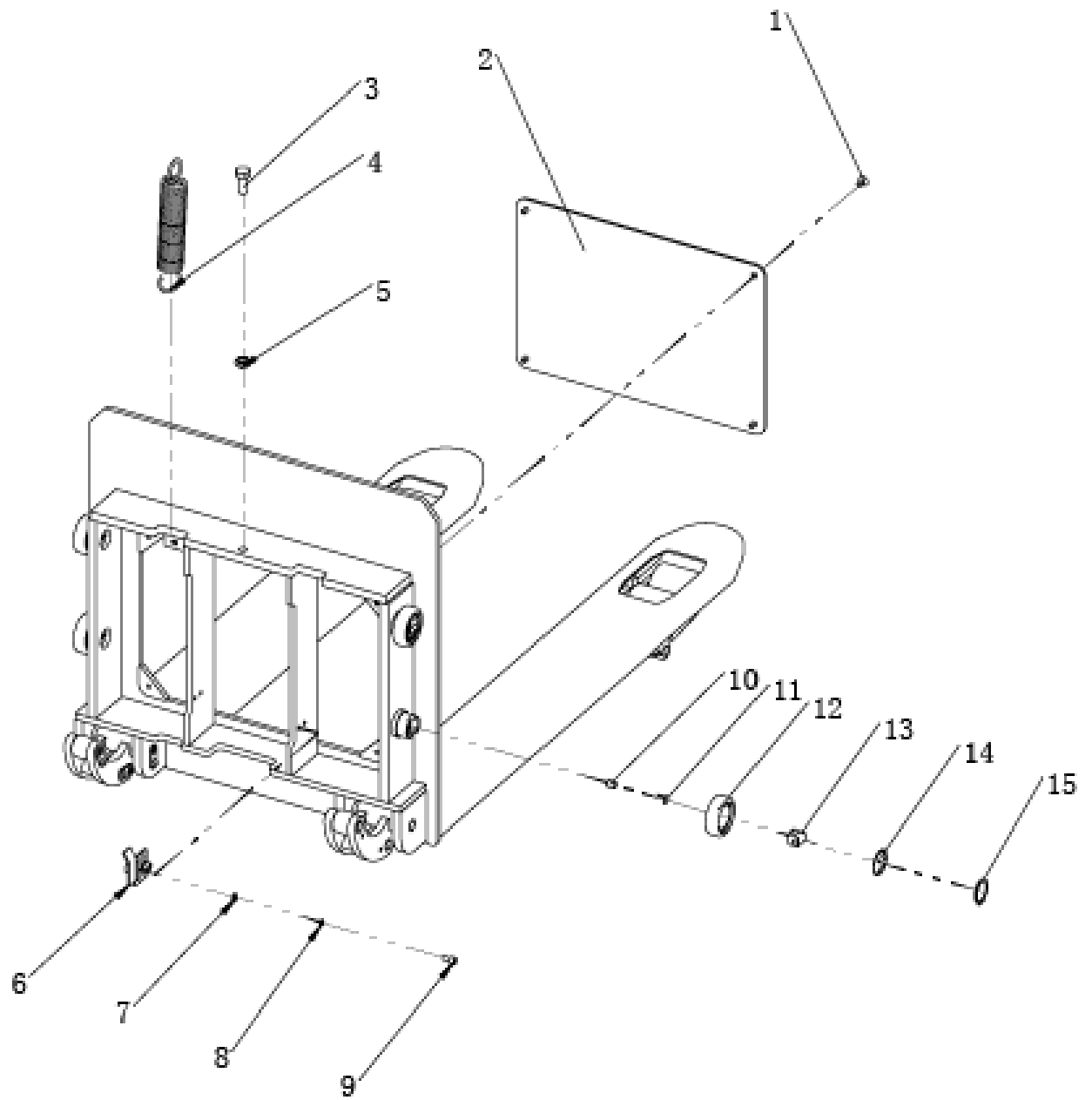
EP18D/EP20D



# Contents

1.1Frame assembly .....	1
1.1Frame assembly .....	2
1.2Connecting rod assembly.....	3
1.2Connecting rod assembly.....	4
1.3Balance wheel assembly.....	6
1.4Body cover assembly .....	7
1.4Body cover assembly .....	7
2.1Drive assembly .....	8
2.1Drive assembly .....	9
3.1Operating handle assembly .....	11
3.1Operating handle assembly .....	12
4.1Hydraulic assembly .....	13
4.1Hydraulic assembly .....	14
5.1Electrical assembly .....	15
5.1Electrical assembly .....	16

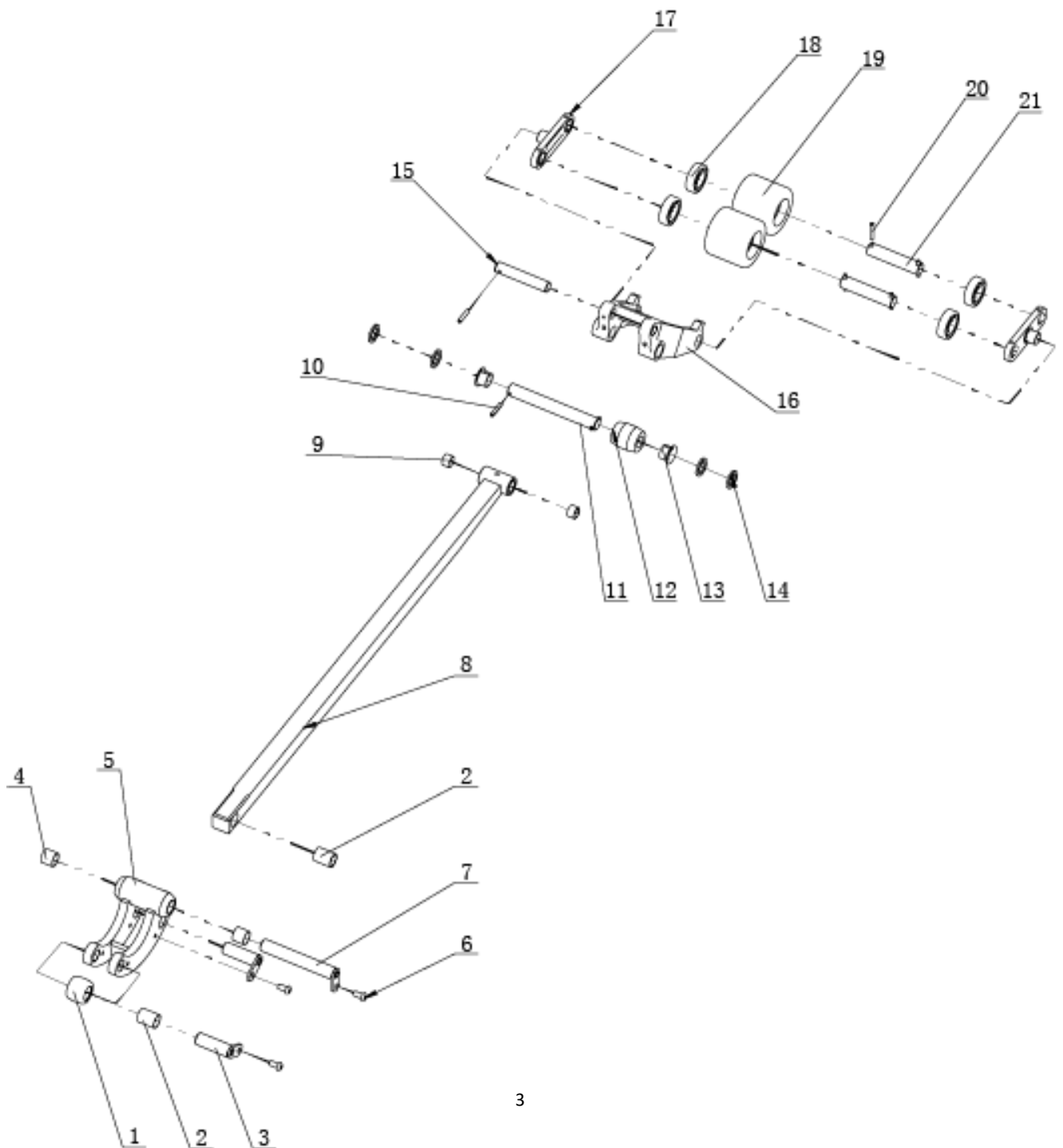
## 1.1 Frame assembly



## 1.1 Frame assembly

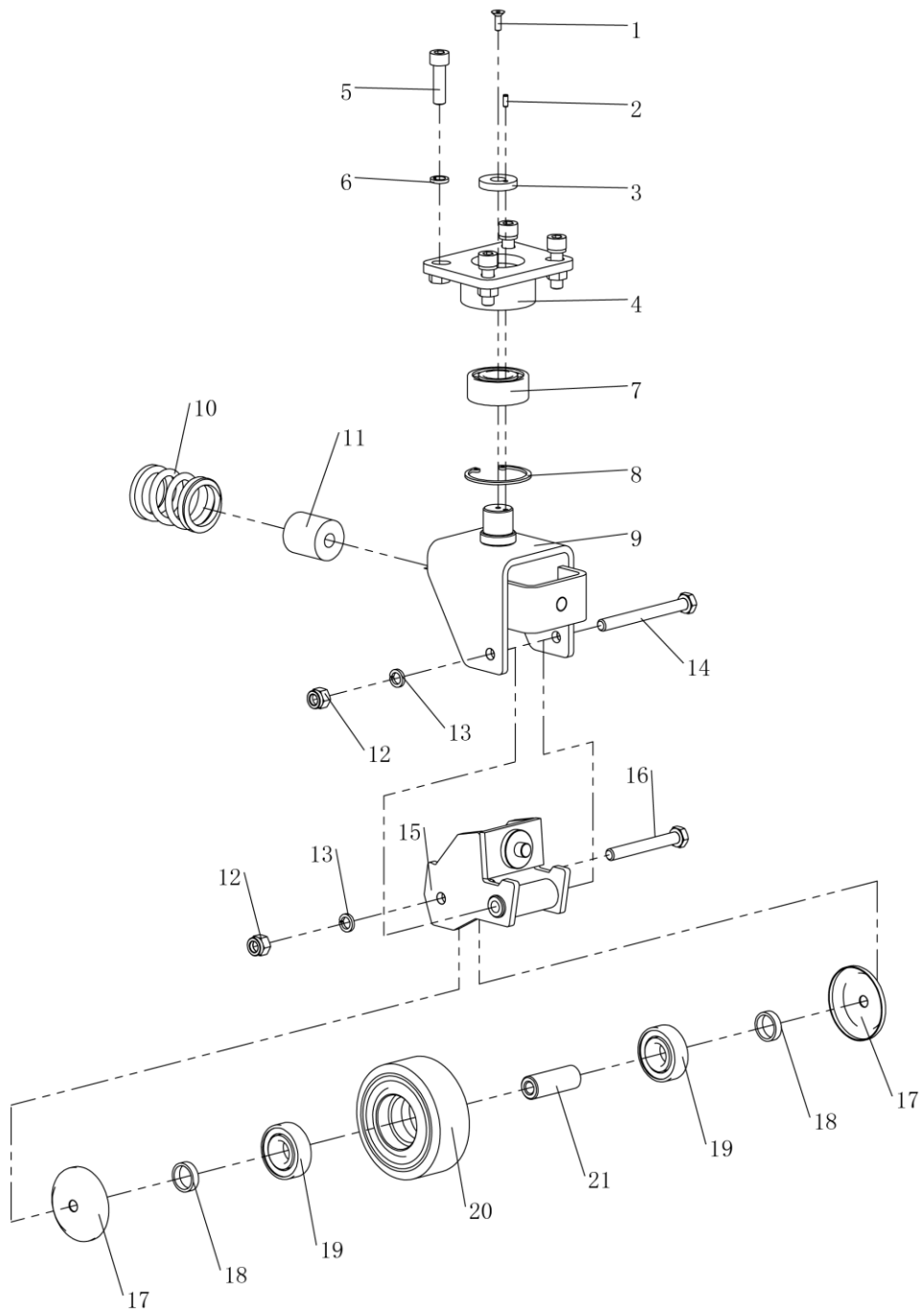
No	Code	Description	Specification	QTY	Remark
1	GB/T 70.3-2000	Hexagon socket countersunk head screw	M8×16	4	
2	SL20GH-02.8	Front sealing plate		1	
3	GB/T 5783-2000	Hexagon bolt full thread	M16×35	1	
4	SDT20-02.13	Tension spring		1	
5	GB/T 6172.1-2000	Hexagon thin nut	M16	1	
6	SL20GH-02.5	Travel limit plate welding		1	
7	GB/T 95-2002	Flat Washer	Φ8	2	
8	GB/T 93-1987	Spring Washer	Φ8	2	
9	GB/T 70.1-2000	Hexagon socket head cap screw	M8×16	2	
10	CRA70.4-7S	Adjustment screw		4	
11	CRA70.4-7S	Check loose piece		4	
12	CRA70.4-7S	Main roller set		4	
13	CRA70.4-7S	Bracket assembly		4	
14	CRA70.4-7S	Dust-proof piece		4	
15	GB/T 894.1-86	Circlip for shaft	Φ40	4	

## 1.2 Connecting rod assembly



## 1.2 Connecting rod assembly

No	Code	Description	Specification	QTY	Remark
1	SL30GB-02.8	Roller		1	
2	TY-02.25	Composite sleeve1	$\Phi 23 \times \Phi 20 \times 30$	2	
3	SL30GB-02.6	Force arm short shaft welding		2	
4	TY-02.28	Composite sleeve3	$\Phi 23 \times \Phi 20 \times 20$	2	
5	SL20GH-02.3	Force arm welded		1	
6	GB/T 70.2-2000	Hexagon socket button head screws	M8 $\times$ 16	3	
7	SL20GH-02.4	Force arm long shaft welding		1	
8	SL20GH-02.2.1	Push rod welding		1	
9	TY-02.26	Composite sleeve2	$\Phi 19 \times \Phi 20 \times 30$	2	
10	GB/T 879.1-2000	Elastic cylindrical pin	$\Phi 5 \times 30$	3	
11	SL20GH-02.7	Force arm shaft		1	
12	SL20.1-7	Exit Roller		1	
13	TY-02.30	Composite sleeve with shoulder	$\Phi 31 \times \Phi 23 \times \Phi 20 \times 16.5$	2	
14	SL15GD-01.10	Wheel frame stop ring		4	
15	SL20.1-1	Pusher shaft		1	
16	SL20.1-3	Force arm	ZG310-570	2	
17	SL20GA-02.11	Joint plate	ZG310-570	2	
18	TGB/T 276-94	Deep groove ball bearing	6204	4	
19	CL10-5	Small roller		2	
20	GB/T 879.1-2000	Elastic cylindrical pin	$\Phi 5 \times 35$	4	
21	DFL25.1-11 / D	Small roller axis		2	



### 1.3 Balance wheel assembly

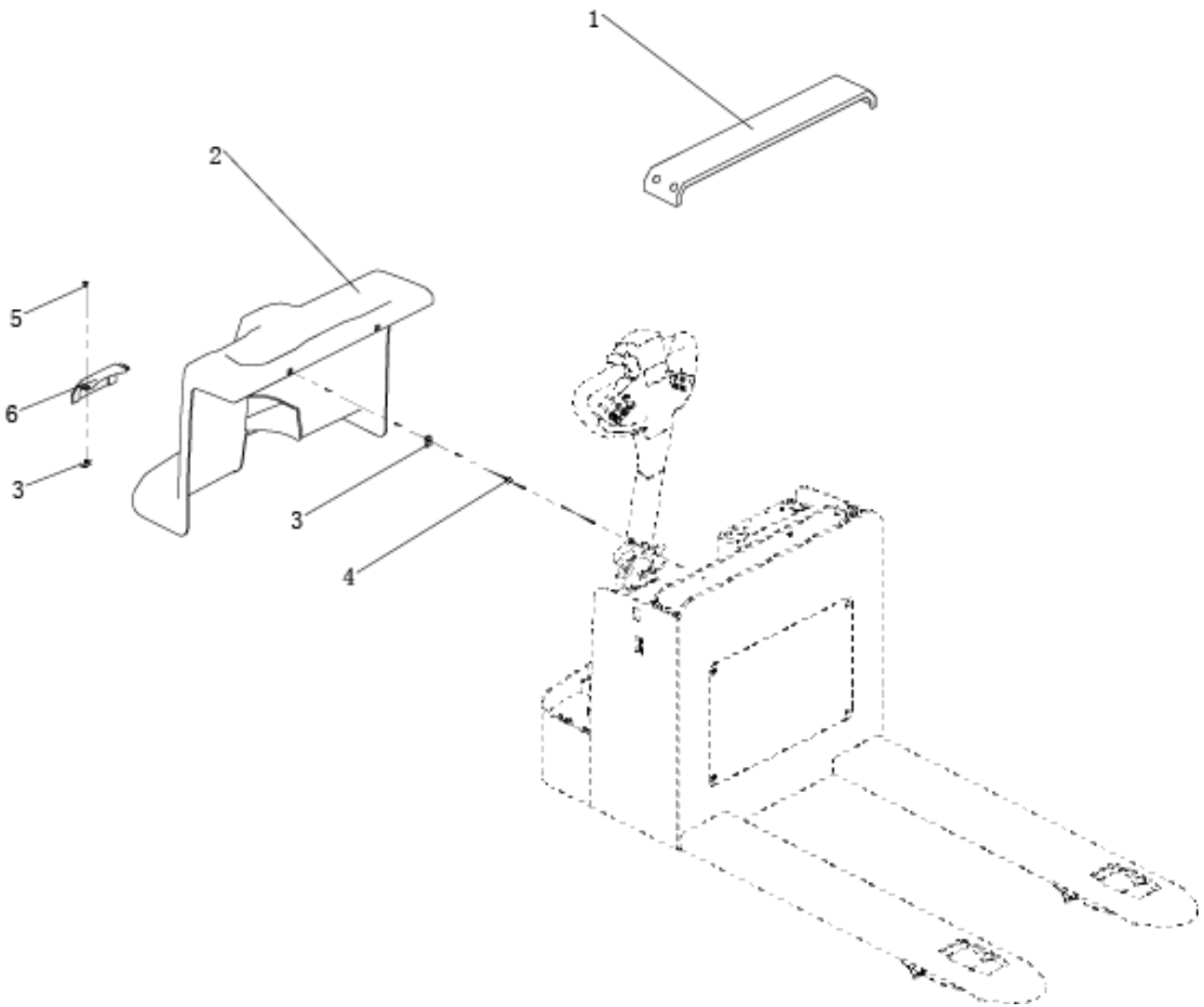
### 1.3Balance wheel assembly

No	Code	Description	Specification	QTY	Remark
1	GB/T 70.3-2000	Hexagon socket countersunk head screw	M5×16	2	
2	GB/T 119-2000	Cylindrical pin	Φ4×10	2	
3	SL20GE-01.3.4	Catch		2	
4	SL20GE-01.3.1	Upper wheel bracket welding		2	
5	GB/T 70.1-2000	Hexagon socket head cap screw	M10×35	8	
6	GB/T 93-1987	Spring Washer	Φ10	8	
7	GB/T 296-94	Double row angular contact ball bearing	3205 A	2	
8	GB 893.1-86	Circlip for hole	Φ52	2	
9	SL20GE-01.3.2	Lower wheel bracket welding		2	
10	SL20GE-01.3.6	SpringΦ6×Φ47×65		2	
11	SL20.2.3-2	Elastomer		2	
12	GB/T 889.1-2000	Hexagon lock nut	M10	4	
13	GB/T 93-1987	Spring Washer	Φ10	4	
14	GB/T 5781-2000	Hexagon bolt full thread	M10×100	2	
15	SL20GE-01.3.3	Small roller bracket welding		2	
16	GB/T 5781-2000	Hexagon bolt full thread	M10×80	2	
17	SL20.2.3-7	Dust cover		4	



18	SL20.2.3-8	Washer		4	
19	GB/T 276-94	Deep groove ball bearing	6204-2Z	4	
20	SL20.2.3-6A	Steering wheel		2	
21	SL20.2.3-9	Bushing		2	

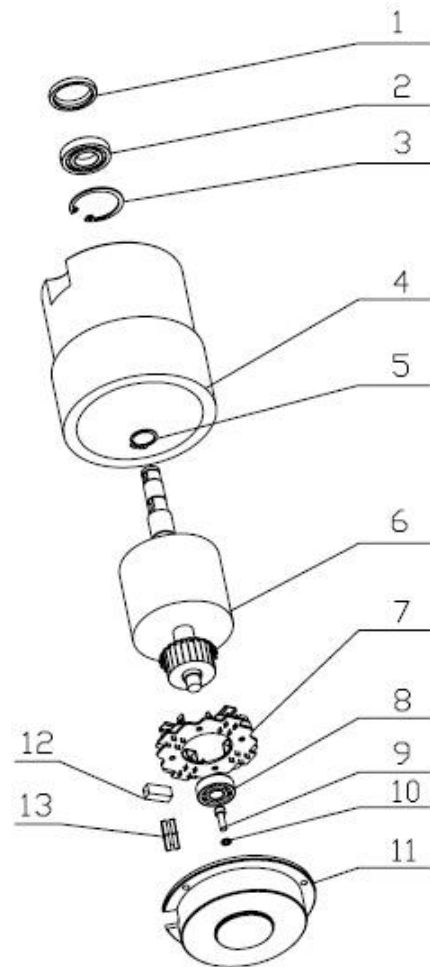
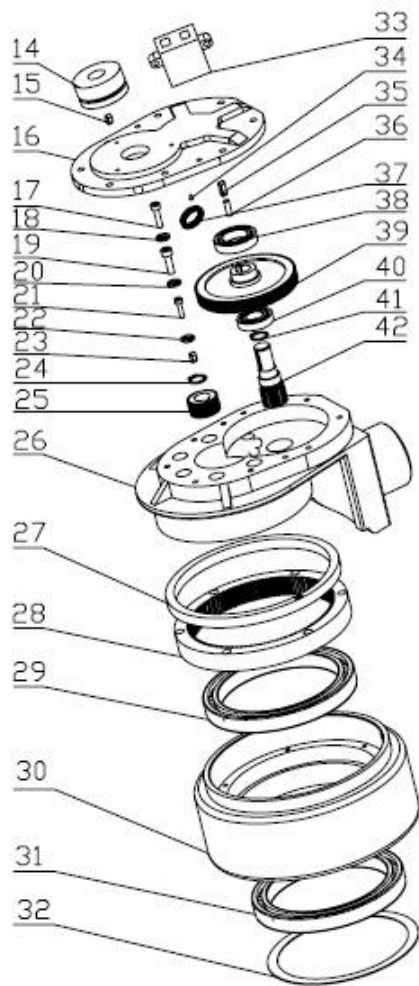
#### 1.4 Body cover assembly



### 1.4Body cover assembly

No	Code	Description	Specification	QTY	Remark
1	SL20GH-03.2	Front cover		1	
2	SL20GH-03.1	Distribution box cover		1	
3		Spring snap nut	M6	4	
4	GB 973-1976	Large flat head cross screw	M6×16	2	
5	GB/T 70.3-2000	Hexagon socket countersunk head screw	M6×10	2	
6	SL20GH-03.3	Distribution box cover sealing plate		1	

## 2.1 Drive assembly

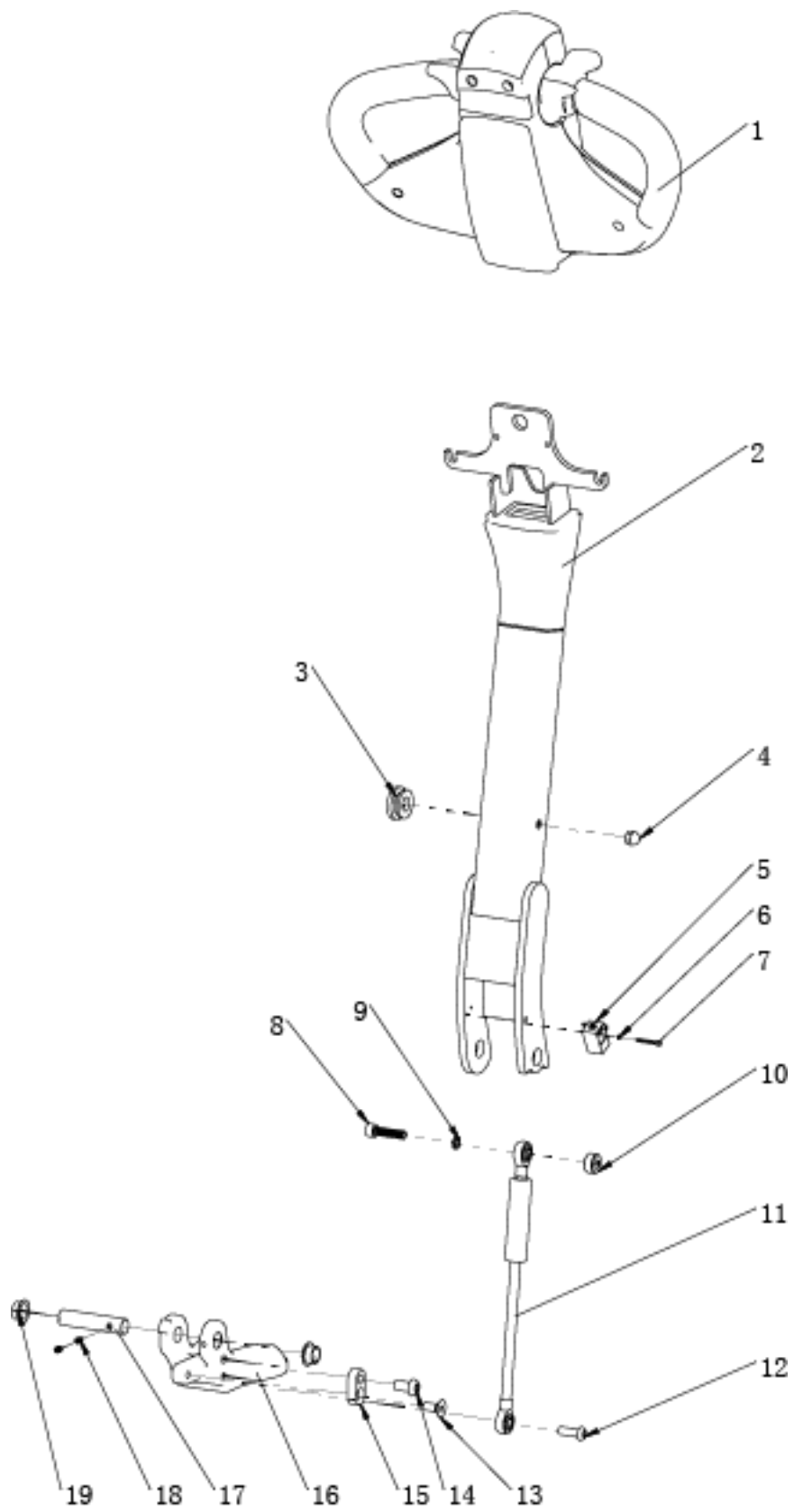


## 2.1 Drive assembly

No	Code	Description	Specification	QTY	Remark
1	GB/T13871-92	Oil Seal	TC $\phi 42 \times \phi 20 \times 7$	1	
2	GB/T276-94	Bearing	6004RS	1	
3	GB893.1-86	Circlip for hole	$\Phi 42$	1	
4	ZD-HZDC-310-002	Case component		1	
5	GB894.1-1986	Circlip for shaft	$\Phi 15$	1	
6	ZD-HZDC-320-002	Rotor		1	
7	ZD-HCDC-340-001	Brush yoke parts		1	
8	GB/T276-94	Bearing	6201RS	1	
9	GB/T70.1-2000	Socket head cap screws	M5 $\times$ 16	3	
10	GB/T93-1987	Spring Washer	$\Phi 5$	3	
11	ZD-HCDC-361-001	Rear end cap		1	
12	ZD-HCDC-330-001	Brush		4	
13	ZD-HCDC-380-001	Protective ring		1	
14	ZD-HZDC-362-001	Brake		1	
15	GB/T1096-2003	Button	5 $\times$ 5 $\times$ 8	1	
16	1115-200001-0B	Case cover		1	
17	GB/T70.1-2000	Socket head cap screws	M6 $\times$ 20	8	
18	GB/T93-1987	Spring Washer	$\Phi 6$	8	
19	GB/T70.1-2000	Socket head cap screws	M8 $\times$ 35	5	
20	GB/T93-1987	Spring Washer	$\Phi 8$	5	
21	GB/T70.1-2000	Socket head cap screws	M5 $\times$ 20	6	
22	GB/T93-1987	Spring Washer	$\Phi 5$	6	
23	GB/T1096-2003	Button	5 $\times$ 5 $\times$ 14	1	
24	GB894.1-1986	Circlip for shaft	$\Phi 16$	1	

25	1115-200005-0B	Small helical		1	
26	1121-210001-00	Case body		1	
27	GB/T13871-92	Oil Seal	TC $\varnothing$ 155 $\times$ $\varnothing$ 172 $\times$ 10	1	
28	1115-200002-0B	Straight tooth ring		1	
29	GB/T276-94	Bearing	61824-2RS	1	
30	1115-220000-0B	Drive wheel		1	
31	GB/T276-94	Bearing	61824-2RS	1	
32	6118003	Dustband		1	
33	JX6-2	Junction Box		1	
34	JB/T7940.1-1995	Forced filling oil cup		1	
35	GB/T1096-2003	Button	5 $\times$ 5 $\times$ 20	1	
36	GB/T119.1-2000	Locating pin	$\phi$ 5 $\times$ 15	2	
37	GB/T13871-92	Oil Seal	TC $\varnothing$ 16 $\times$ $\varnothing$ 28 $\times$ 7	1	
38	GB/T276-94	Bearing	61905-2Z	1	
39	1115-200004-0B	Big bevel		1	
40	GB/T276-94	Bearing	16003-2Z	1	
41	GB894.1-1986	Circlip for shaft	$\Phi$ 15	1	
42	1115-200003-0B	Spur pinion		1	

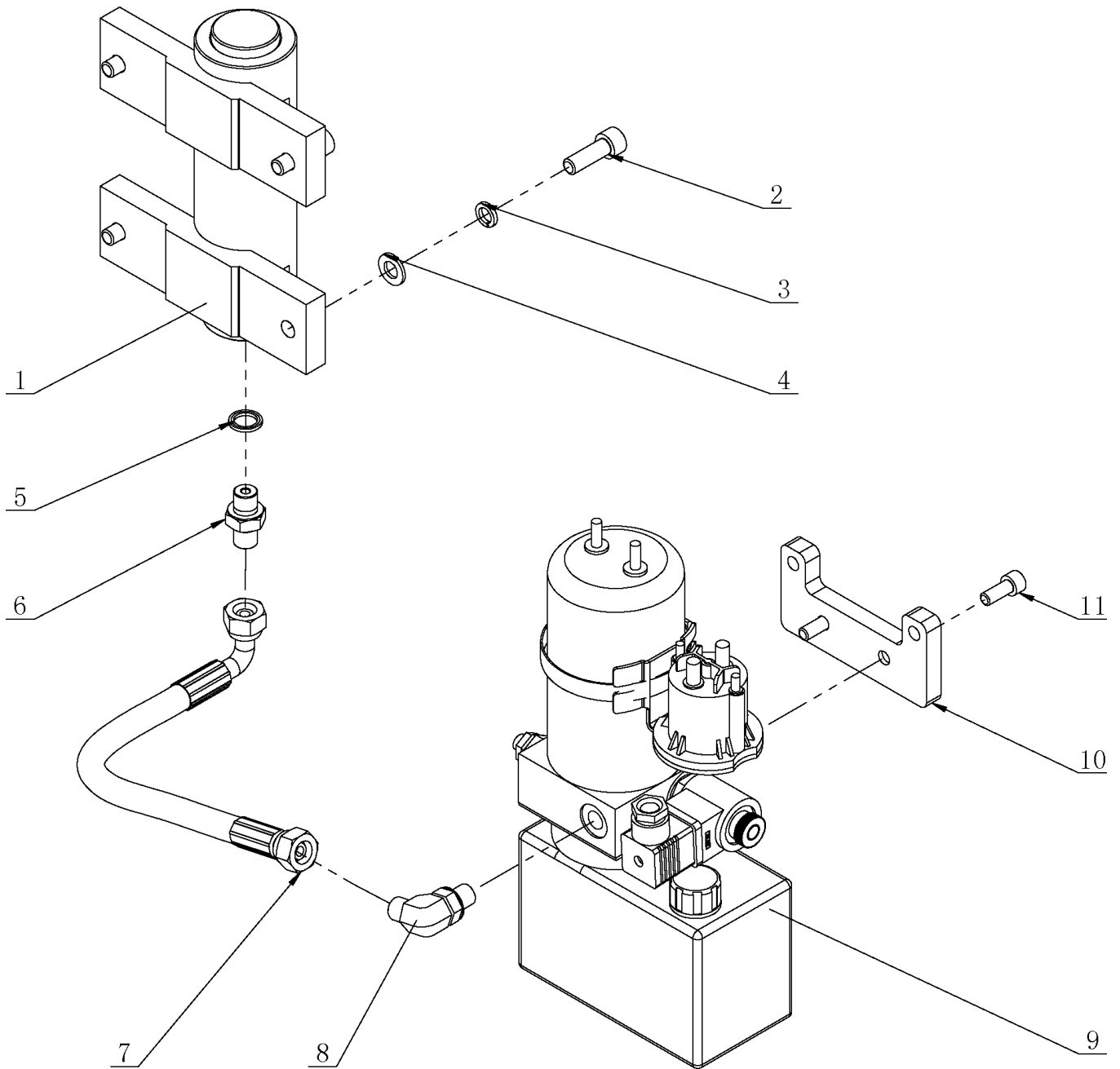
### 3.1 Operating handle assembly



### 3.1 Operating handle assembly

No	Code	Description	Specification	QTY	Remark
1	T606-5B	DT handle		1	
2	SL20GE-01.2.2.1	Handle bar welding		1	
3	CS1232.8-1	Shock absorber		1	
4	GB 923-88	Cap nut	M8	1	
5	CJF17-05PA	proximity switch		1	
6	GB/T 93-1987	Spring Washer	Φ3	1	
7	GB/T 70.1-2000	Hexagon socket head cap screw	M3×25	2	
8	GB/T 70.1-2000	Hexagon socket head cap screw	M8×35	1	
9	GB/T 93-1987	Spring Washer	Φ8	1	
10	SL13.03-09	Spacer		1	
11	SL20GE-01.2.2.2	Gas spring assembly	290-800N	1	
12	GB/T 70.2-2000	Hexagon socket button head screws	M8×25	1	black
13	GB/T 70.3-2000	Hexagon socket countersunk head screw	M8×20	1	
14	GB/T 70.2-2000	Hexagon socket button head screws	M10×20	1	
15	SL15GD-02.9.3	Limit block		1	
16	SL20GH-01.2.1	Joint axis	ZG310-570	1	
17	SL13.03-07	Joint axis		1	
18	GB/T 77-2000	Hexagon inner flat end set screw	M6×8	2	
19	TY-02.22	Composite sleeve with shoulder	Φ18×Φ16×10	2	

## 4.1 Hydraulic assembly

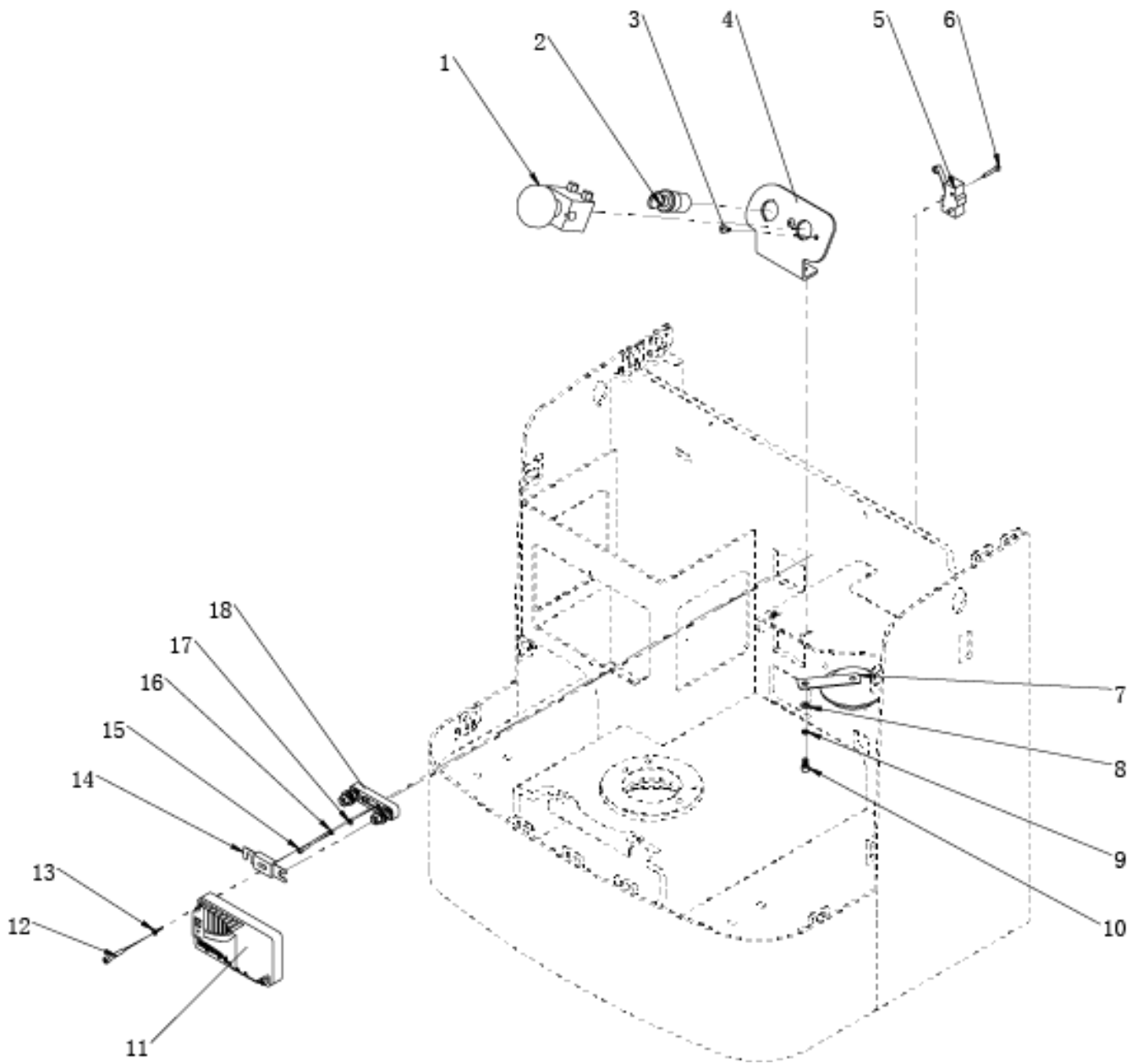




#### 4.1 Hydraulic assembly

No	Code	Description	Specification	QTY	Remark
1	SL20GH-01.3	Cylinder assembly		1	
2	GB/T 70.1-2000	Hexagon socket head cap screw	M10×30	4	
3	GB/T 93-1987	Spring Washer	Φ10	4	
4	GB/T 95-2002	Flat Washer	Φ10	4	
5	GB892-77	Φ14Combination gasket		1	
6	SL15GD-01.2.5	Straight joint		1	
7	SL15GD-01.8	Fuel injection pipe		1	
8	SL15GD-01.2.4	Right angle joint		1	
9	TY-02.7	Pump station	0.8KW / 24V	1	
10	SL20GH-01.9	Pump station fixing bracket		1	
11	GB/T 70.1-2000	Hexagon socket head cap screw	M8×20	2	

## 5.1 Electrical assembly



## 5.1 Electrical assembly

No	Code	Description	Specification	QTY	Remark
1	TY-01.36	ED125-2-1Emergency stop switch		1	
2	TY-01.17	Key switch		1	
3	GB 973-1976	Large flat head cross screw	M6×16	2	
4	SL20GH-01.6	Emergency stop switch mounting plate		1	
5	RZ-15GW2S-B3	Micro Switch		1	
6	GB/T 818-2000	cross recess pan head screw	M4×25	2	
7	DC24-Φ125	Horn		1	
8	GB/T 95-2002	Flat Washer	Φ6	2	
9	GB/T 93-1987	Spring Washer	Φ6	2	
10	GB/T 70.1-2000	Hexagon socket head cap screw	M6×12	2	
11	1212S	Controller		3	
12	GB/T 70.1-2000	Hexagon socket head cap screw	M5×30	2	
13	GB/T 93-1987	Spring Washer	Φ5	2	
14	CNP-100A	fuse		1	
15	GB/T 70.1-2000	Hexagon socket head cap screw	M4×16	2	
16	GB/T 93-1987	Spring Washer	Φ4	2	
17	GB/T 95-2002	Flat Washer	Φ4	2	
18	TY-02.32	Fuse holder		1	

**The power of interpretation of this part catalogue will be preserved by the manufacturer eventually.**