



**Parts Manual**  
**Lithium Walkie Stacker**  
**EB18C-118LI/138LI/145LI**



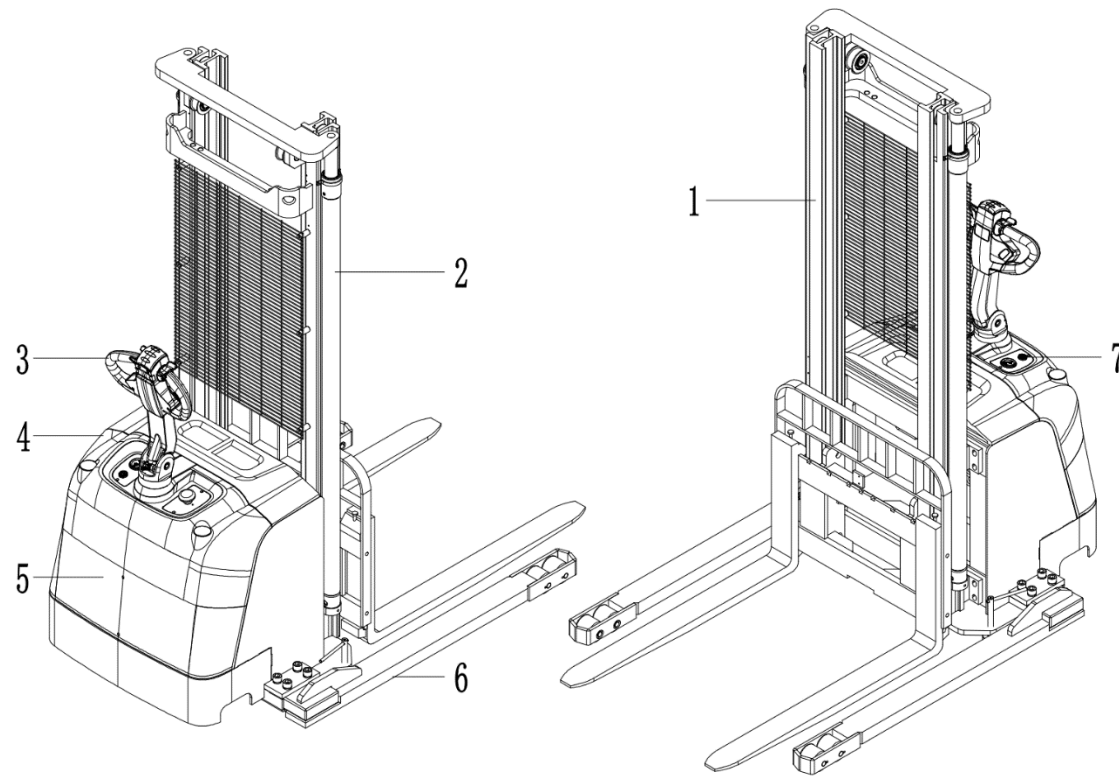
## Instructions for use

Please read this manual carefully and operate the vehicle safely.

- Do not operate this vehicle without training.
- Please comply with ISO3691 “Safety Specification for Motor Vehicles Industry”.
- Please do not modify or change the repair parameters, including adjusting the pressure. Any loss or damage to the vehicle resulting from such actions will be your responsibility, and doing so will void our warranty commitment.

### SPECIAL WARNING:

The company is committed to innovation and sustainable development. As part of this commitment, we continually improve the technology of our products. Therefore, we reserve the right to make changes and improvements to any product described in this specification without prior notice.

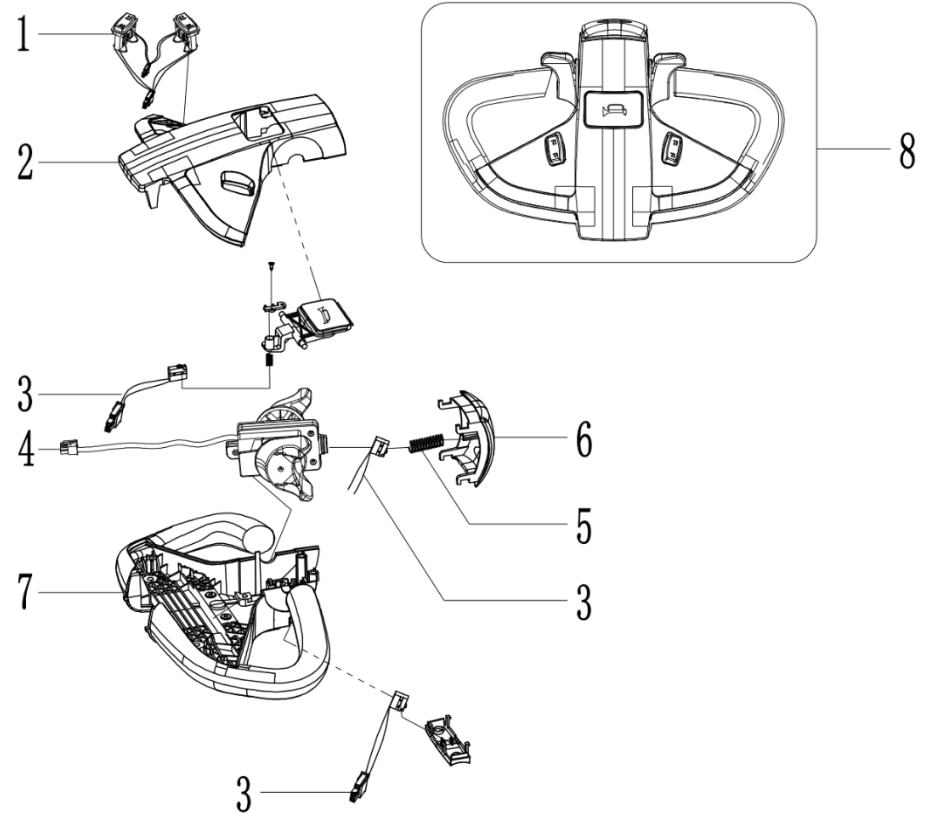


No.	Name	No.	Name
1	Gantry system	5	Drive system
2	Hydraulic system	6	Body system
3	Steering system	7	Electrical system
4	Overlay system		

Note: The assembly and structure content expressed in the parts catalog may not fully appear on your vehicle, but you can search the parts information of your selected vehicle in the parts catalog.

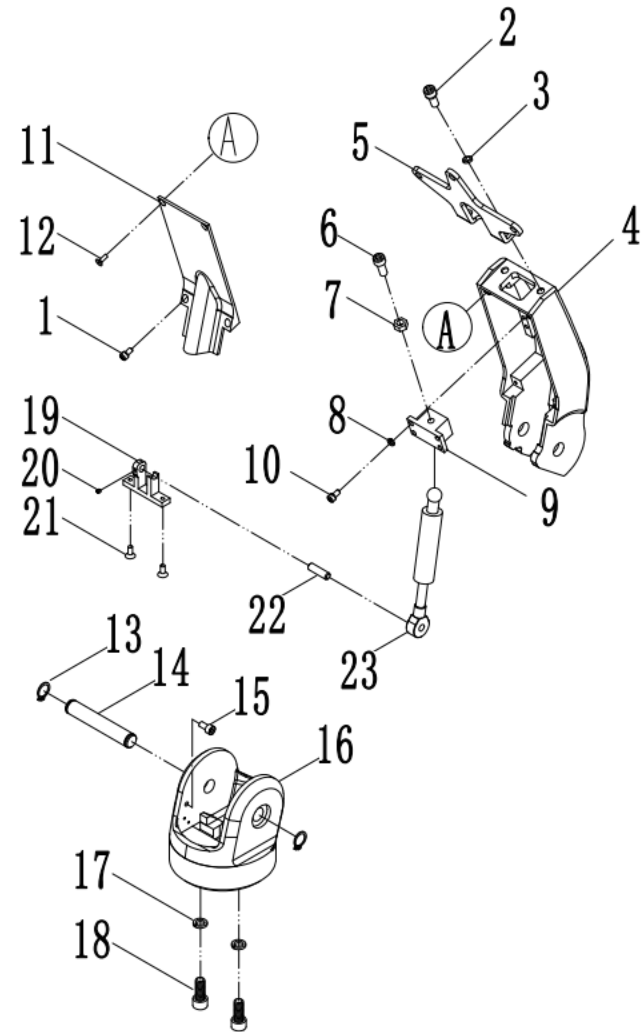
## Steering system - Handle accelerator

Index	Part No.	Drawing Number	Part Name	QTY
1	11006000073	0502000063	lift button	2
2	40000000506	0502000032	upper cover	1
3	11006000062	1303000094	microswitch	3
4	1100300000010		Accelerator assembly	1
5	40000000507	1510000663	Compression spring	2
6	11006000076	0502000031	Belly switch	1
7	40000000508	0502000033	under cover	1
8	110030000002	QBA-1350100	Big handle T202-4	1



## Steering system - handlebar assembly

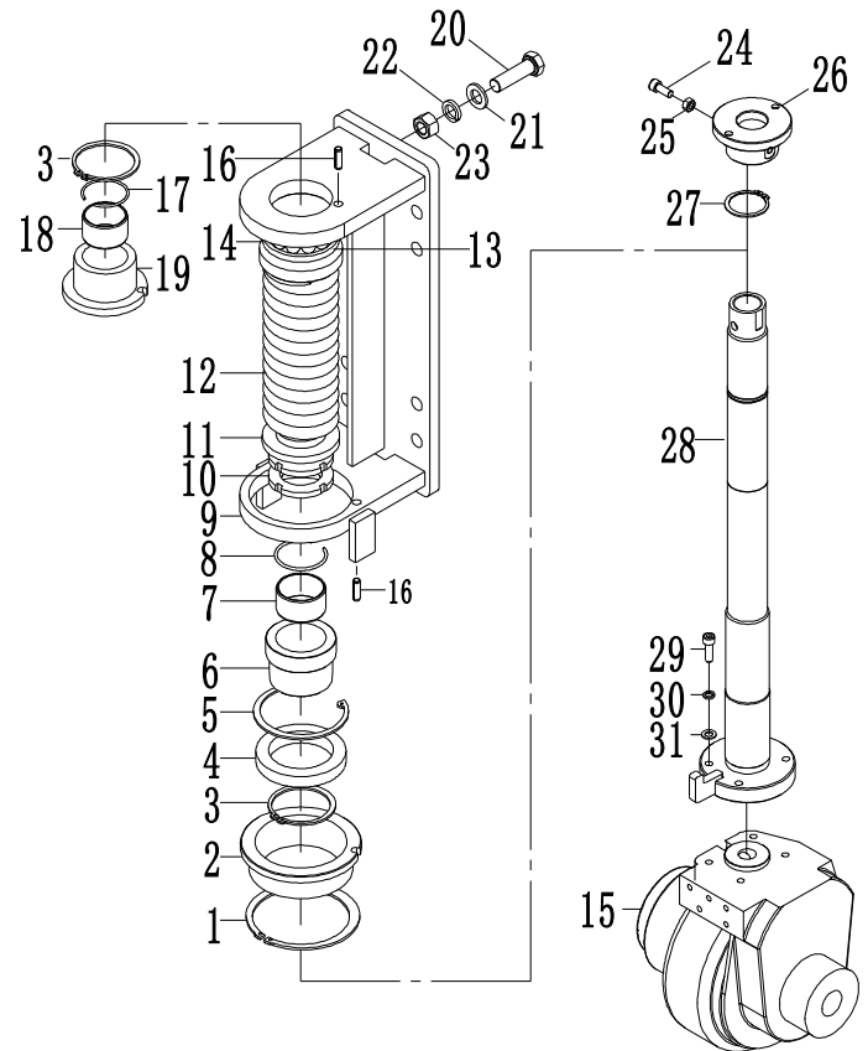
Index	Part No.	Drawing Number	Part Name	QTY
1	22101600011	GB70.1	Hexagonal cylindrical head screw M4x12	2
2	22101600032	GB70.1	Hexagonal cylindrical head screw M8x12	2
3	22501200004	GB93	Spring washer 8	2
4	8B21500000011	QBA30A0300004	handgrip	1
5	8D085001001	QDA-01019A	Handle retaining plate	1
6	22000400032	GB70.1	Screw M8x20	1
7	22400300003	GB6170	Nut M8	1
8	22501200002	GB93	Spring washer 5	4
9	8B21500000020	QBA30A0300003	Gas spring upper seat	1
10	22101600017	GB70.1	Screw M5x12	4
11	8B21500000010	QBA30A0300006	Handle cover	1
12	22101800001	GB70.3	Hexagonal countersunk head screw M4x12	2



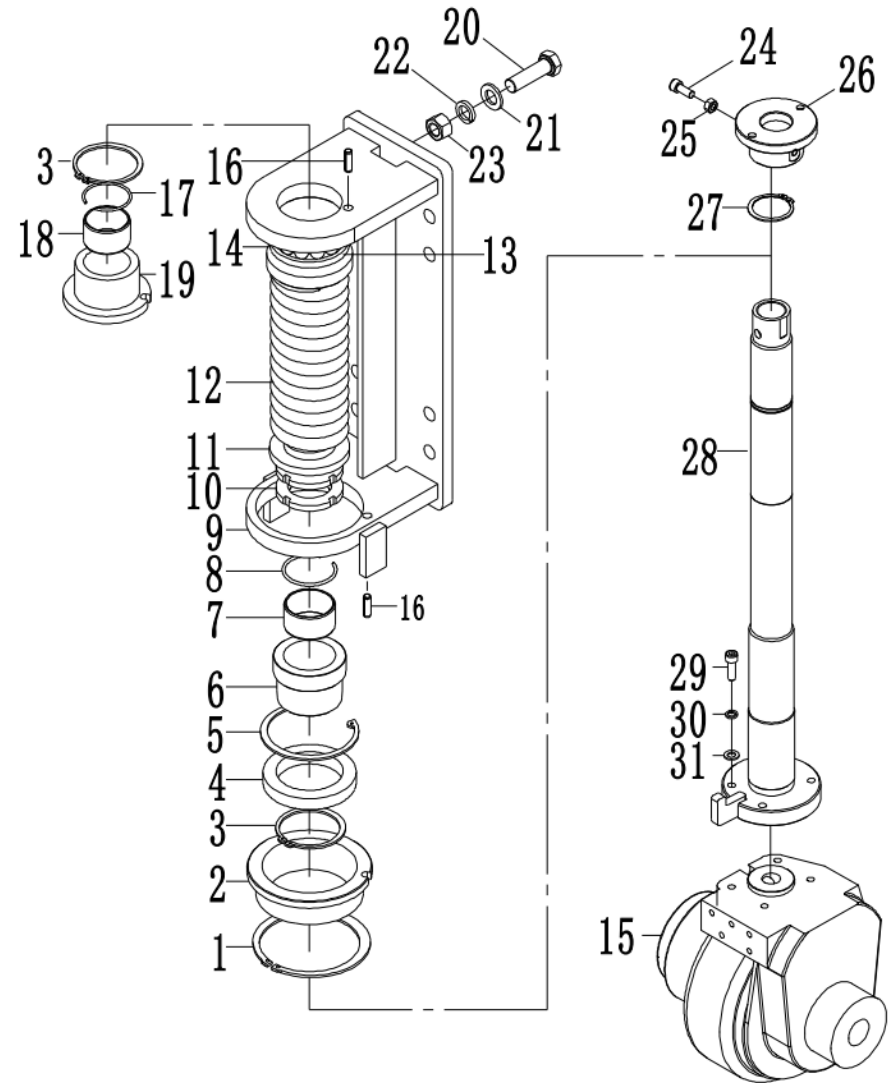


## Drive system

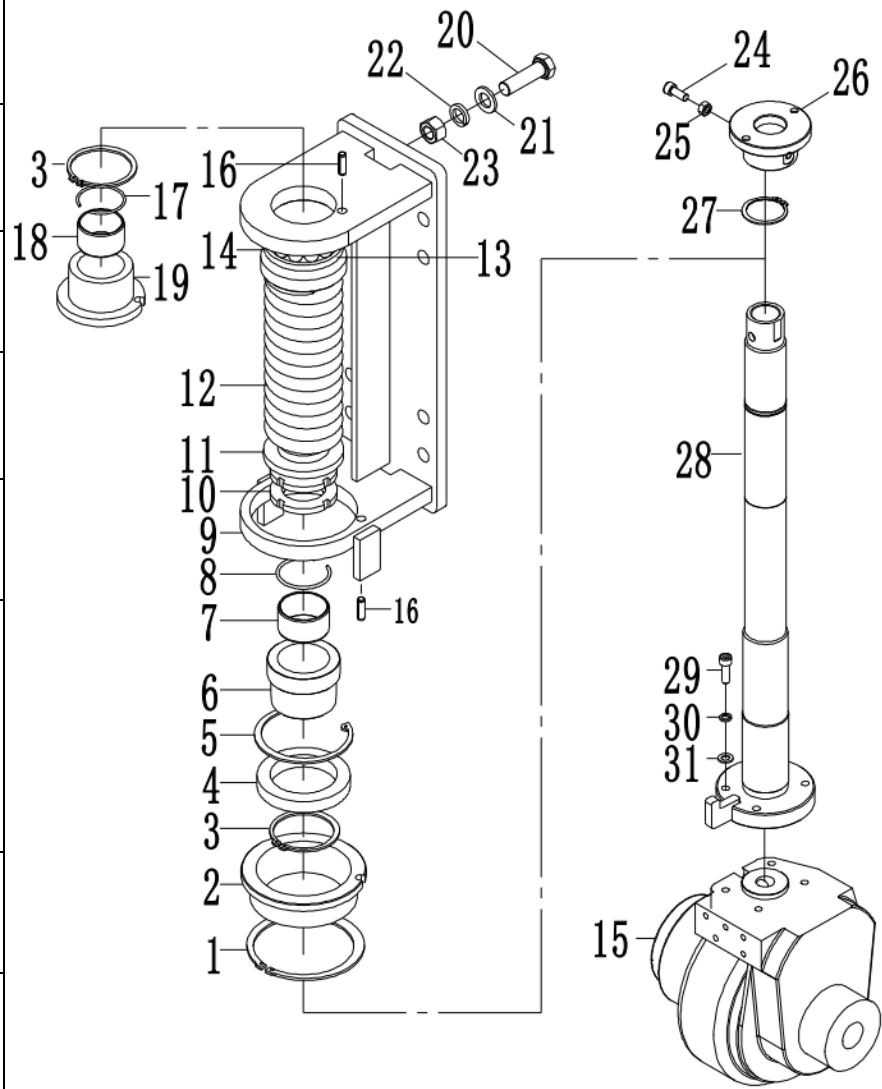
Index	Part No.	Drawing Number	Part Name	QTY
1	22600900031	GB894.1	retaining ring 115	1
2	72003000399	QDA15CM0100001	Bearing block	1
3	22600900030	GB894.1	retaining ring 70	2
4	23000100035	GB276	Bearing 61914	1
5	22600700022	GB893.1	Hole elastic ring 100	1
6	72004000348	QDA15CM0100007	Lower support sleeve	1
7	23100100061	SF-1-5030	Bearing 50×55×30	1
8	2260120000013	GB895.1	Hole Retaining ring 55	1
9	8D175001001	QDA15CM0130000	support	1
10	22404100003	GB812	Round nut M48 x 1.5	2
11	72004000362	QDA15CM0100002	Spring under pad	1
12	72009040026	QDA15CM0100003	Compression spring	1



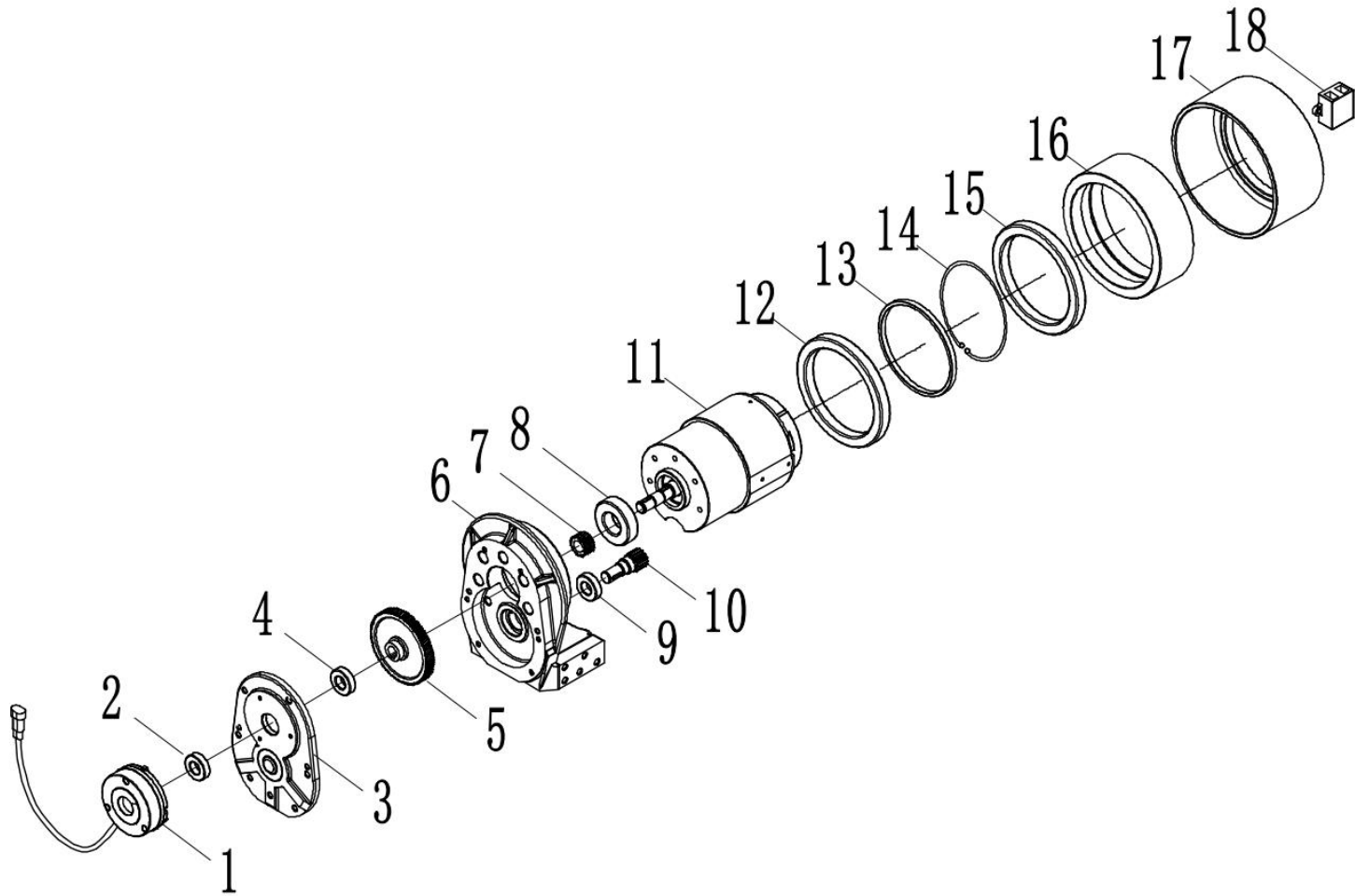
Index	Part No.	Drawing Number	Part Name	QTY
13	72004000363	QDA15CM0100006	Spring upper pad	1
14	23000800010	GB301	bearing 51309	1
15	8D164001001	QDA15CM0110000	Drive wheel assembly	1
16	22800700034	GB879.1	Elastic cylindrical pin 8×25	2
17	22601200008	GB895.1	Hole retaining ring 50	1
18	23100100028	SF-1-4530	bearing 45×50×30	1
19	72004000347	QDA15CM0100005	Upper support sleeve	1
20	22000400036	GB5783	Bolt M16×55	8
21	22501200008	GB93	Spring Washer 16	8
22	2250010000014	GB97.1	Plain washer 16	8
23	22400300008	GB6170	Nut M16	8
24	22101600034	GB70.1	Hexagonal cylindrical head screw M8×20	2



Index	Part No.	Drawing Number	Part Name	QTY
25	22400300003	GB6170	Nut M8	2
26	72003000403	QDA15CM0100004	Handle socket	1
27	22600900029	GB894.1	retaining ring 45	1
28	8D16200200001	QDA15CM0120000	Driving shaft	1
29	22101600037	GB70.1	Hexagonal cylindrical head screw M8×35	4
30	22501200004	GB93	Spring Cushion 8	4
31	22500100006	GB97.1	Flat washer 8	4

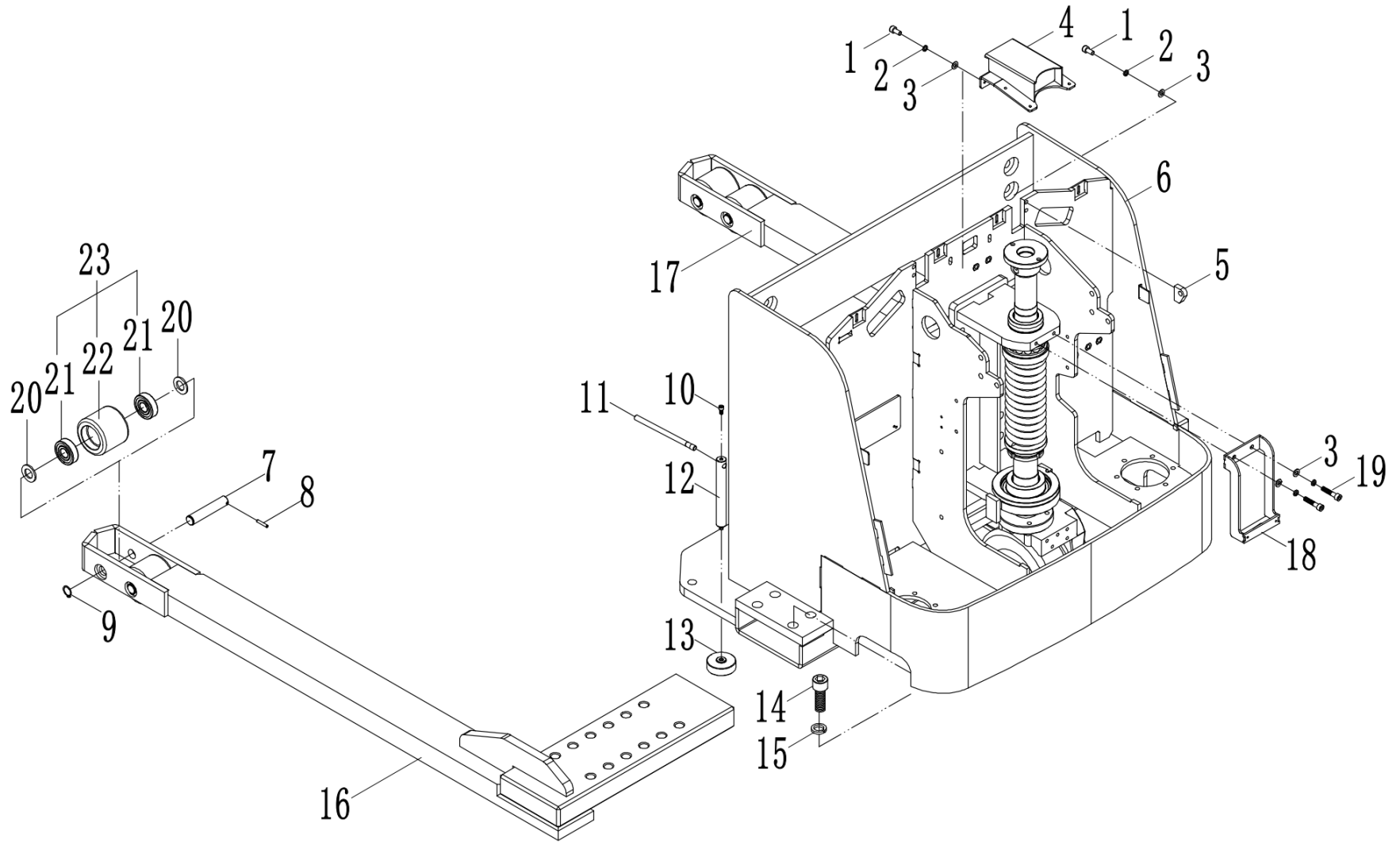


# Drive System - Drive assembly



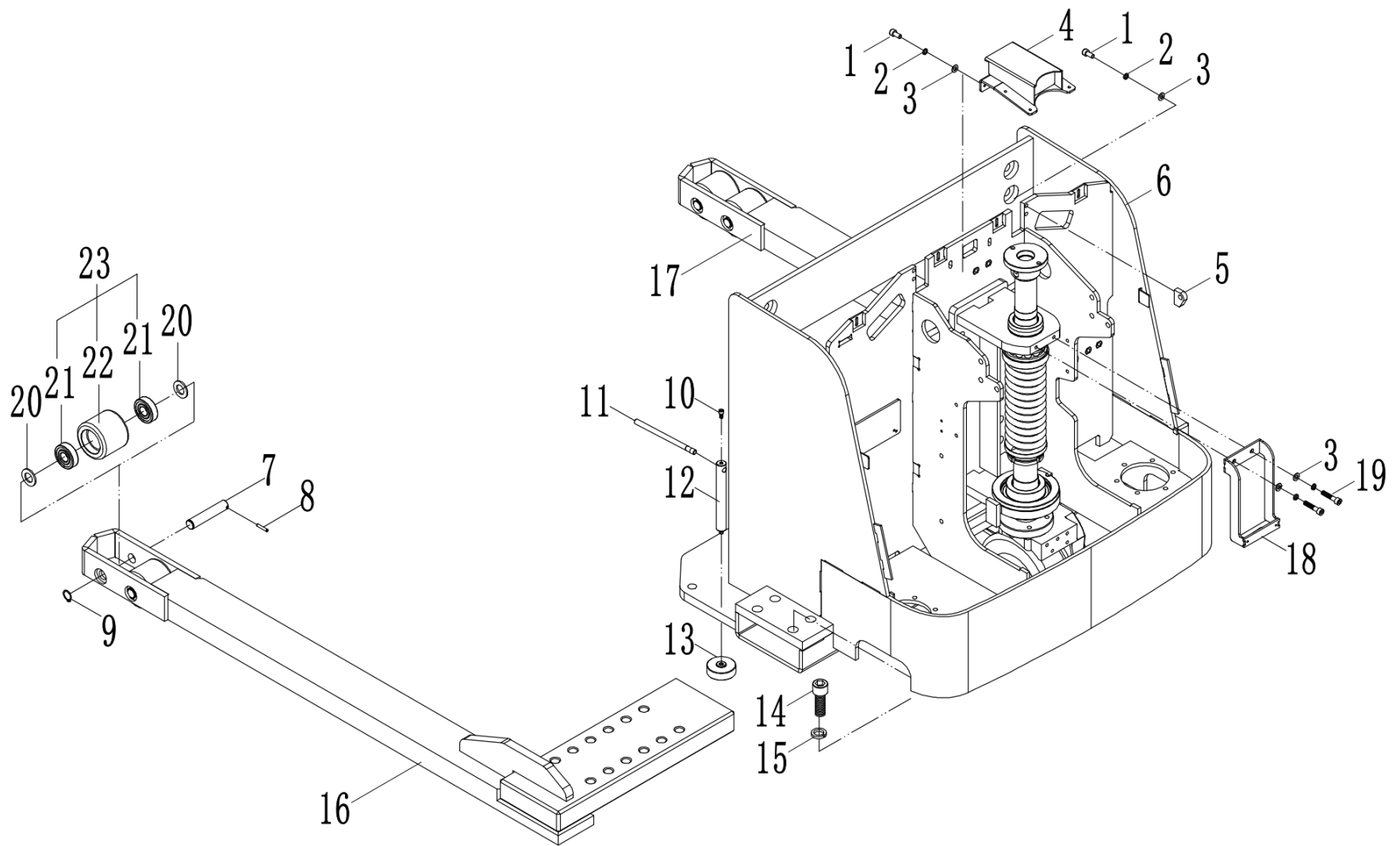
Index	Part No.	Drawing Number	Part Name	QTY	Remark
1	4000000583	QDA15CM0140010	Brake disc	1	
2	4000000584	QDA15CM0140008	Sealing ring TC28/16/7×98C	1	
3	4000000585	QDA15CM0140001	Housing cover	1	
4	4000000586	GB292	Bearing 6905	1	
5	4000000587	QDA15CM0140002	1.25 modulus large helical teeth	1	
6	4000000588	QDA15CM0140003	Box 9	1	
7	4000000589	QDA15CM0140004	1.25 module small helical teeth	1	
8	4000000590	QDA15CM0140009	Sealing ring TC42/20/7	1	
9	4000000591	GB292	Bearing 6903	1	
10	4000000592	QDA15CM0140005	1.5 module straight teeth	1	
11	4000000593	QDA15CM0140020	Motor 24V/750W	1	
12	23000100053	GB276	Bearing 61824RS	1	
13	4000000595	QDA15CM0140007	Bearing retaining ring	1	
14	4000000596	QDA15CM0140011	158.5 inner card	1	
15	23000100053	GB276	Bearing 61824RS	1	
16	4000000597	QDA15CM0140006	1.5 modulus inner gear ring	1	
17	4000000598	QDA15CM0140030	210 wheels	1	
18	4000000599	QDA15CM0140040	Junction box	1	

# Body system



+

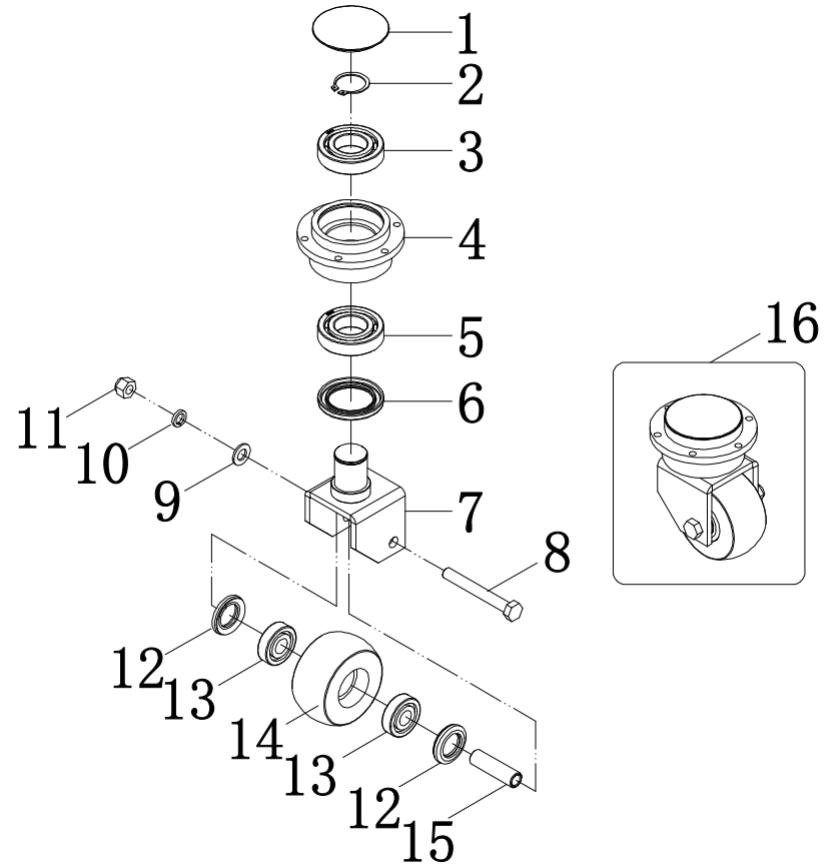
Index	Part No.	Drawing Number	Part Name	QTY	Remark
1	22101600025	GB70.1	Screw M6x12	4	
2	22501200003	GB93	Spring washer 6	6	
3	22500100005	GB97.1	Flat washer 6	6	
4	7200500000315	QBA30A0900004	u-clamp	4	
5	7200100001691	QBA30A0920003	Fixed support	2	
6	8D272000004	QDA1502CMS0421000 240509	Body Frame	1	
7	72003000155	QDA12C-01042	pin	4	
8	22800700005	GB879.1	Elastic pin $\Phi 5 \times 28$	4	
9	22600900002	GB894.1	retaining ring 20	4	
10	22101600025	GB70.1	Hexagonal cylindrical head screw M6x12	2	
11	30170000099	QDA15K-03103	Wrench bar	1	
12	30170000098	QDA15K-03101	Ejector pin	2	



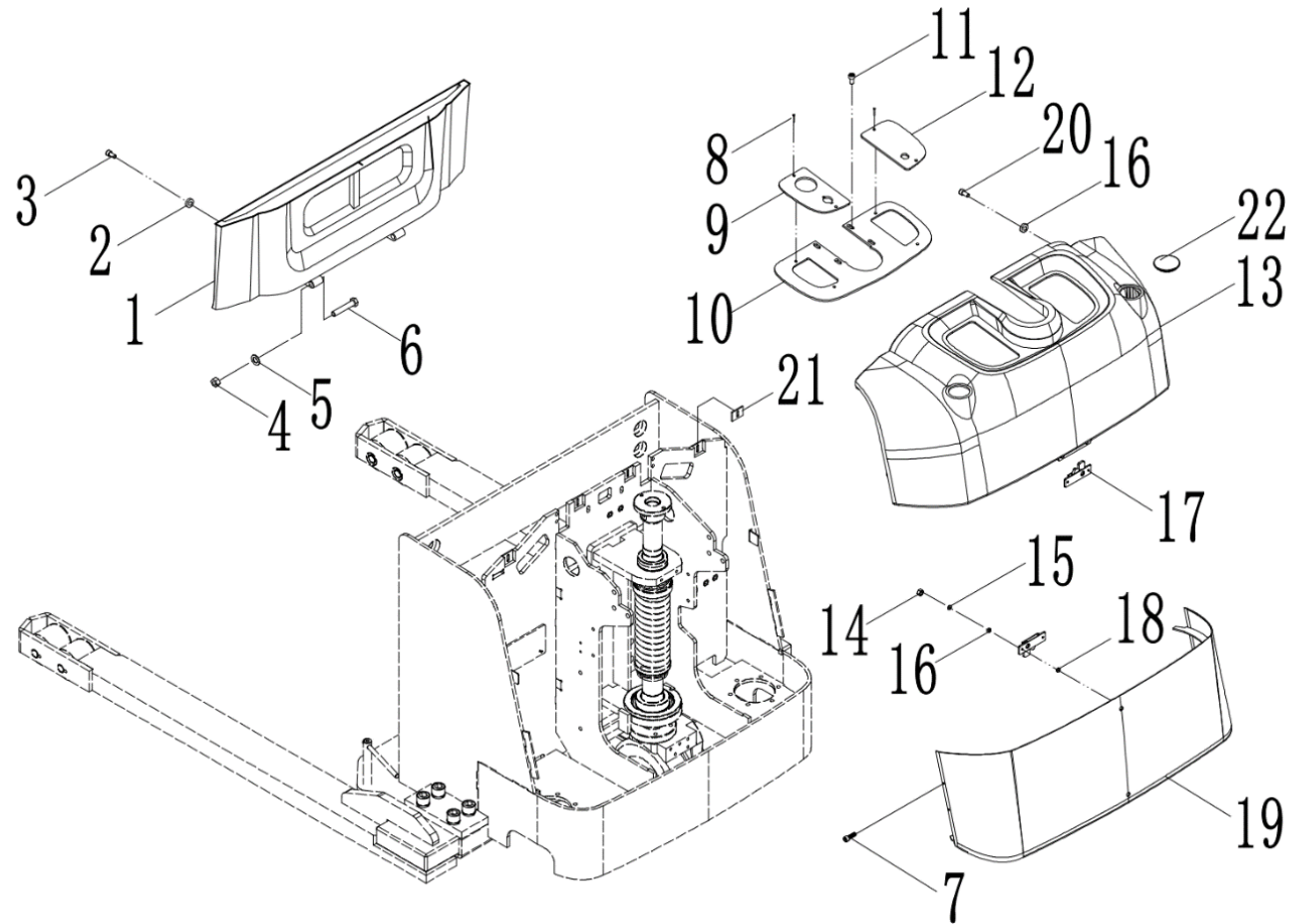
Index	Part No.	Drawing Number	Part Name	QTY	Remark
13	72002005194	QDA15K-03102	Top block	2	
14	22101600094	GB70.1	Hexagonal cylindrical head screw M20×55	8	
15	22501200009	GB93	Standard spring washer 20	8	
16	8D272000002	QDA1502CMS0421100 240509	Left leg	1	
17	8D272000003	QDA1502CMS0421200 240509	Right leg	1	
18	8D172002033	QDA1502EM0400010	Rear cover seat welded	1	
19	22101600033	GB70.1	Screw M8×16	2	
20	22500100012	GB97.1	Flat washer 20	8	
21	23000100010	GB276	Bearing 6304	8	
22	71003000040	QDA-04130	Bearing wheel Φ80×70	4	
23	8D21400100003	QDA15D0400010	Fork wheel assembly	4	

## Body system - Balance wheel

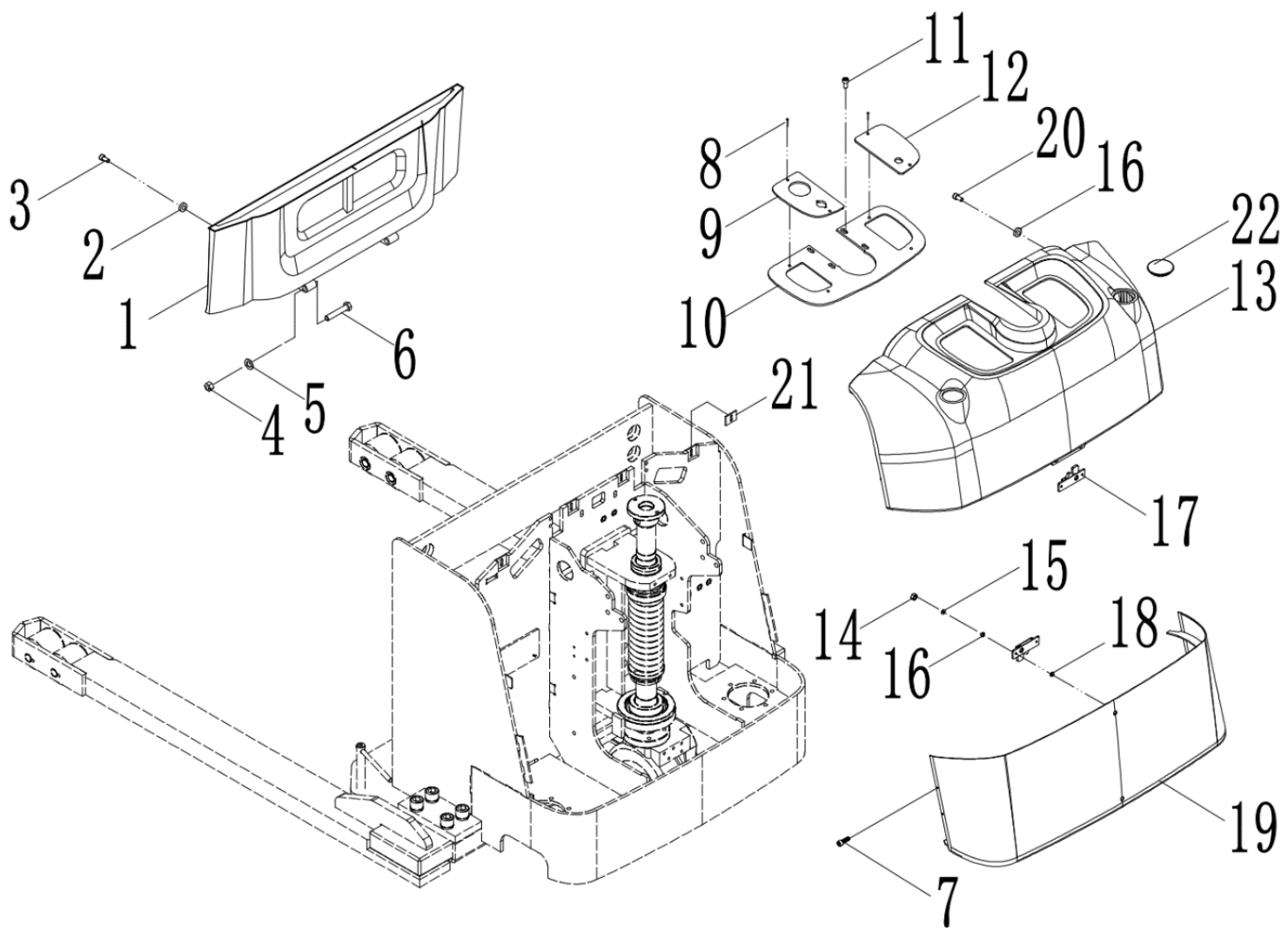
Index	Part No.	Drawing Number	Part Name	QTY
1	75000300106	QBA-00101	capping	1
2	22600900012	GB894.1	Retaining ring 48	1
3	23000100008	GB276	Bearing 6208	1
4	105030293	QBA-04053	Universal wheel outer ring	1
5	2300060000003	GB292	Angular contact ball bearing 7208B	1
6	2100040000040	GB13871	Lip sealing ring B55×80×8	1
7	6600000000021		Shaft welding assembly	1
8	22000300030	GB5782	Hexagon head bolt M14 x 110	1
9	22500100009	GB97.1	Flat pad 14	1
10	22501200007	GB93	Spring pad 14	1
11	22403000011	GB889.1	Lock nut M14	1
12	75000300030	QBA20B	Dust ring	2
13	23000100010	GB276	Bearing 6304	2
14	71003000039	QBA-04026	Universal wheel	1
15	72004000334	QBA-04059	Tube axis	1
16	71003000042	QBA-04050	Universal wheel assembly	2



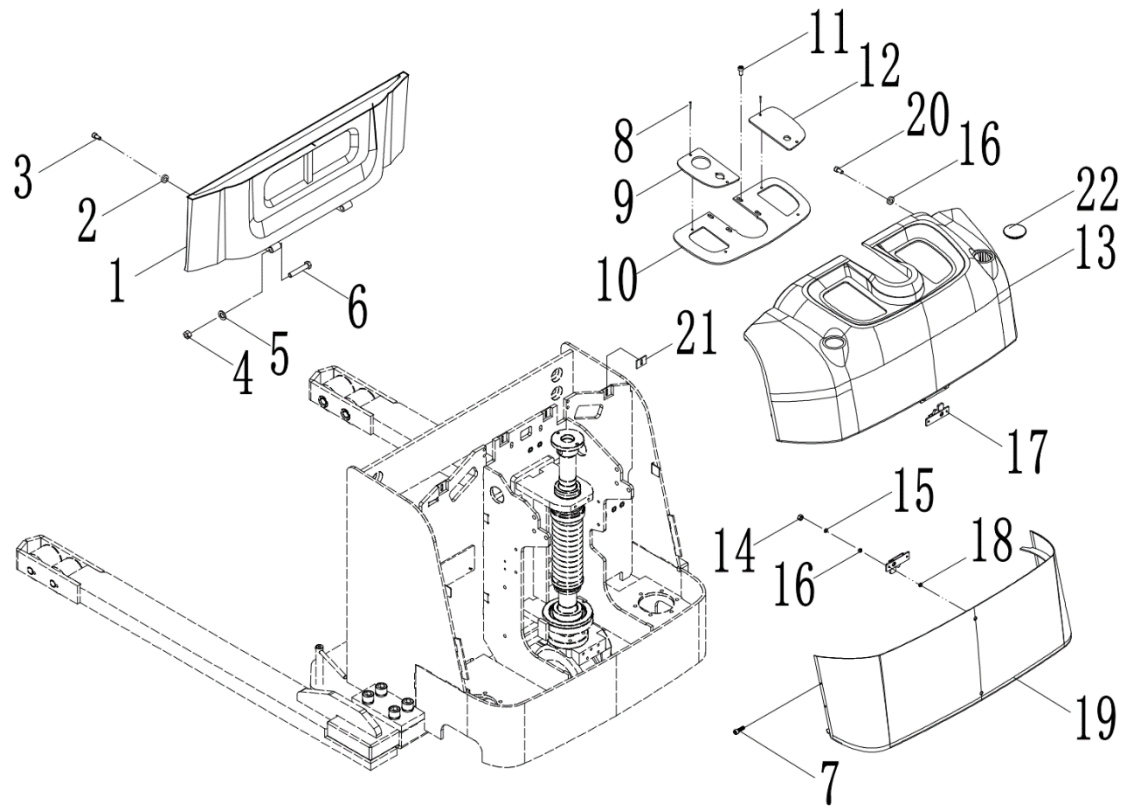
# Overlay system



Index	Part No.	Drawing Number	Part Name	QTY	Remark
1	7500010000144	QDA15D0920001	Battery cap	1	
2	7900040000005	QBA30A0920002	High strength magnet	2	
3	2210430000005	GB846	Screw M4x12	2	
4	224003000006	GB6170	Nut M12	2	
5	225001000008	GB97.1	Flat pad 12	2	
6	2200030000050	GB5782	Bolt M12 x 60	2	
7	221017000008	GB70.2	Hexagonal semi-round head screw M8×16	4	
8	221018000018	GB70.3	Countersunk head screw M4x8	4	
9	7200100002263	QBA30A0900005	Left lamina	1	GREEN RAL6018
	7200100001716	QBA30A0900005	Left lamina	1	Yellow RAL1037
10	7200100002264	QBA30A0900006	Instrument board	1	GREEN RAL6018
	7200100001717	QBA30A0900006	Instrument board	1	Yellow RAL1037

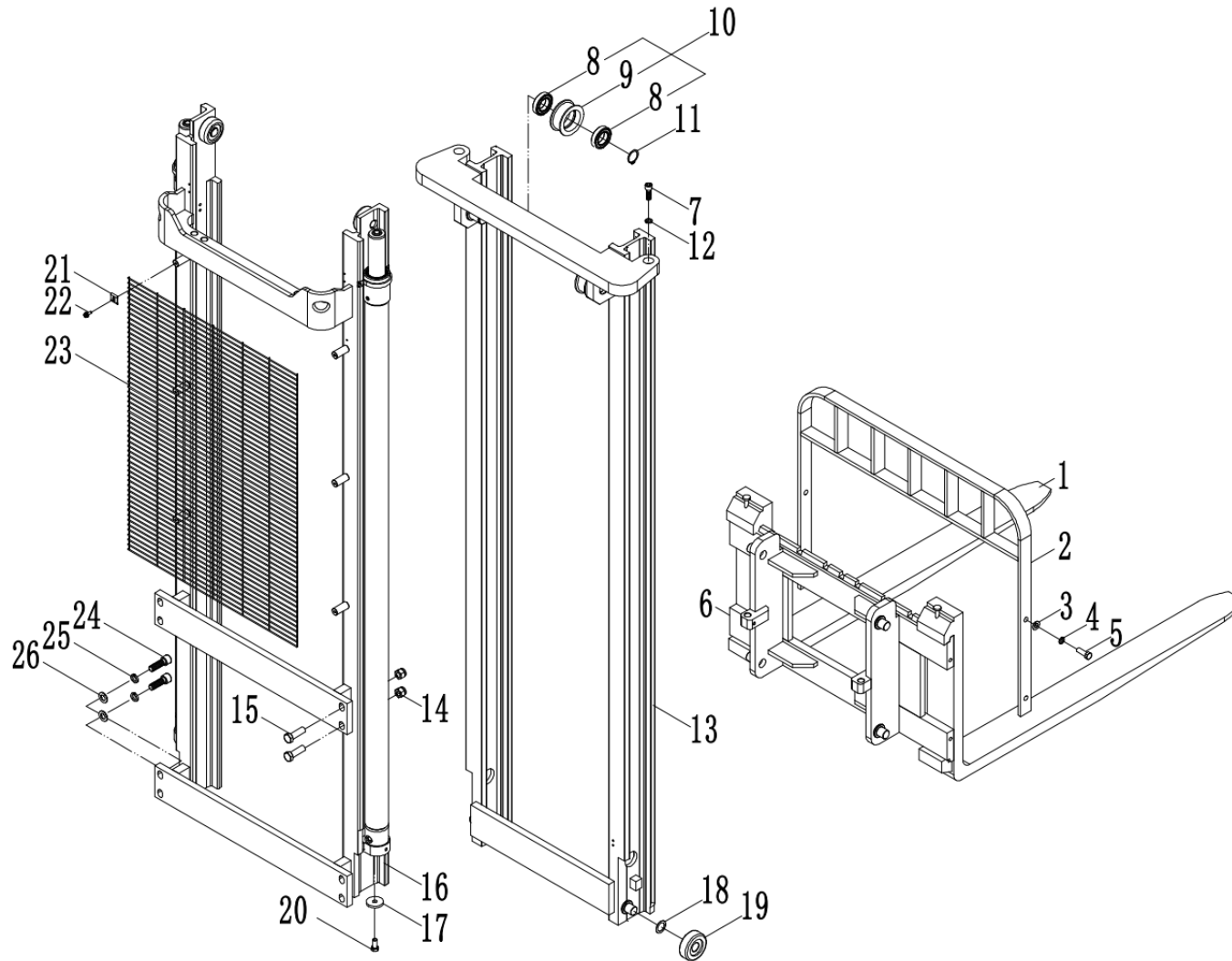


Index	Part No.	Drawing Number	Part Name	QTY	Remark
11	22101600028	GB70.2	Screw M6x20	4	
12	7200100002265	QBA30A0900007	Right plate	1	GREEN RAL6018
	7200100001718	QBA30A0900007	Right plate	1	Yellow RAL1037
13	7500010000105	QBA30A0900003	Upper cover	1	
14	22400300001	GB6170	Nut M5	4	
15	22501200002	GB93	Spring pad 5	4	
16	22500100003	GB97.1	Flat pad 5	8	
17	79000100001	943112C	Lock catch	2	
18	7200400000417	QBA30A0900001	gasket	2	
19	8B21200800002	QBA30A0910000	Lower cover	1	GREEN RAL6018
	8B21200800001	QBA30A0910000	Lower cover	1	Yellow RAL1037
20	22101600025	GB70.1	Screw M6x12	4	

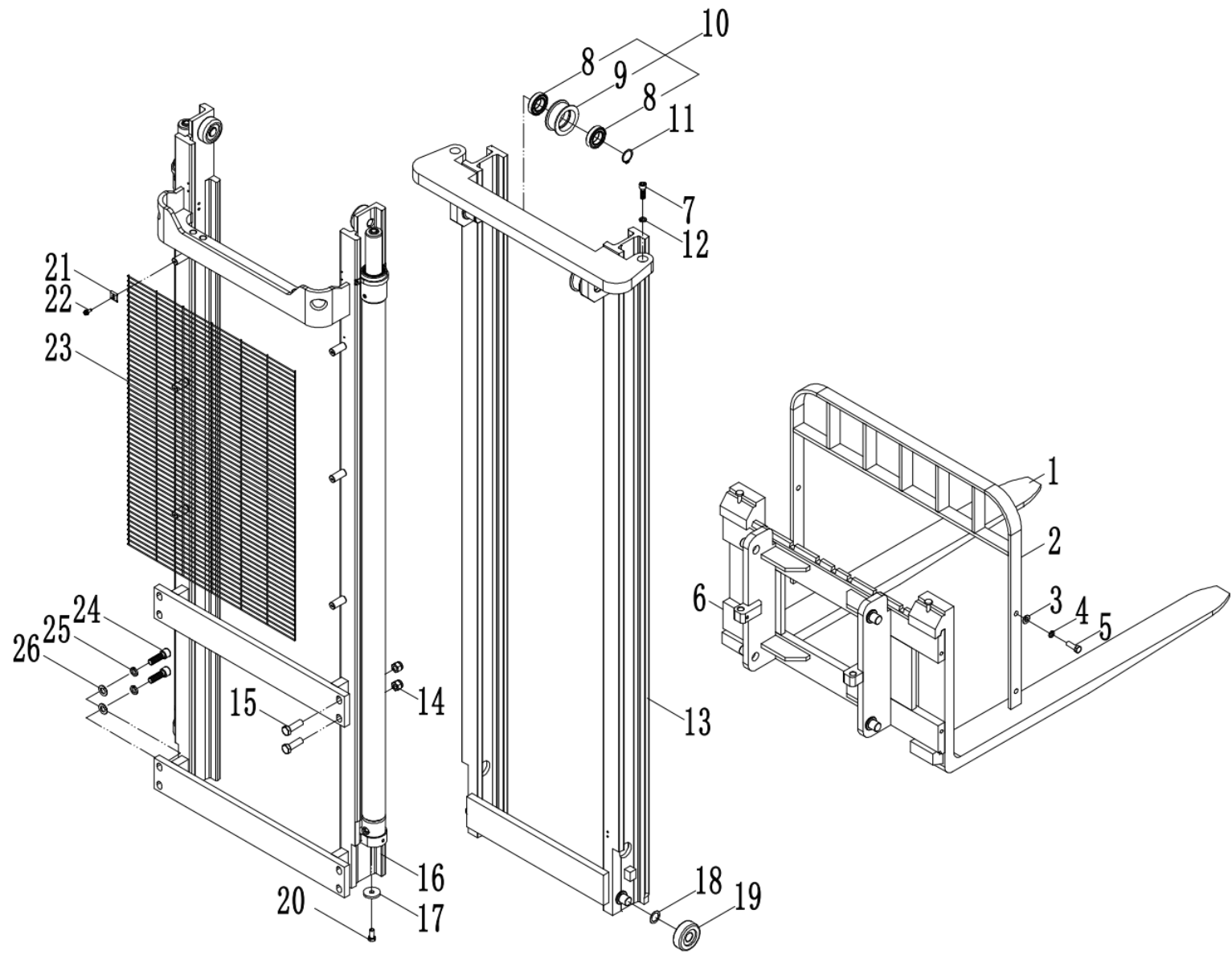


Index	Part No.	Drawing Number	Part Name	QTY	Remark
21	7200500000315	QBA30A0900004	u-clamp	4	
22	75000100104	QPA-0910001	Armlet cover	2	

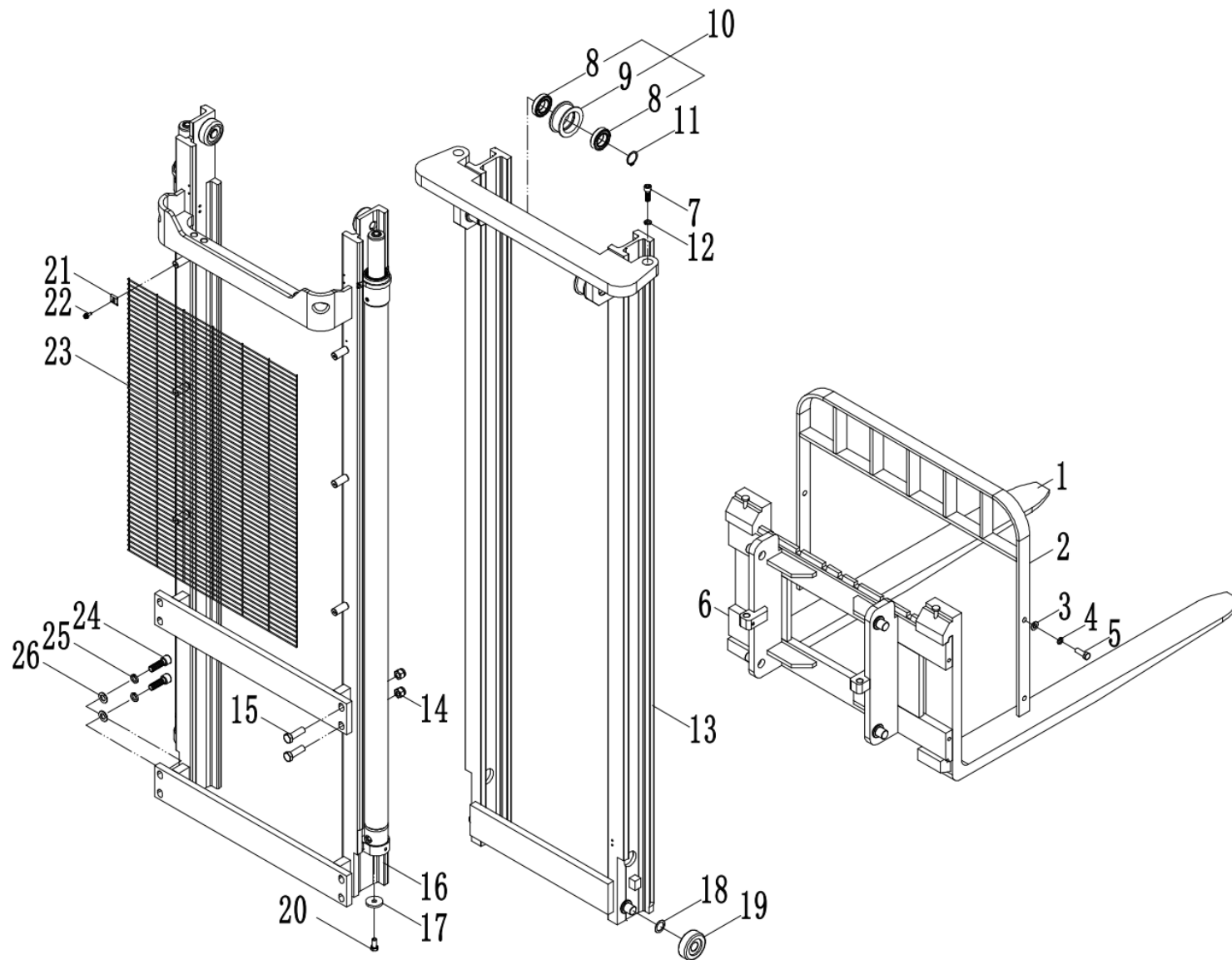
# Mast System - Double mast



Index	Part No.	Drawing Number	Part Name	QTY	Remark
1	72003000614	P15S8901150	Fork assembly 35×100×1150	2	
2	8D102006052	QPA13028280020	Rack welding 815	1	
3	22000400020	GB5783	Hexagon head bolt M12×25	4	
4	22500200009	GB95	Flat pad 12	8	
5	22501200006	GB93	Spring Pad 12	8	
6	8D082011005	QDA-07300 240509	Forging platform welding (double stage)	1	
7	22101600064	GB70.1	Hexagonal cylindrical head screw M12×35	2	
8	4000000001266	GB276	bearing 6007-2RZ	8	
9	71004100003	QDA-06008	Chain roller	4	
10	8Q034000001	QQA20A8300010	Chain roller assembly	4	
11	22600900007	GB894.1	retaining ring d35	4	
12	22501200006	GB93	Spring Pad 12	4	



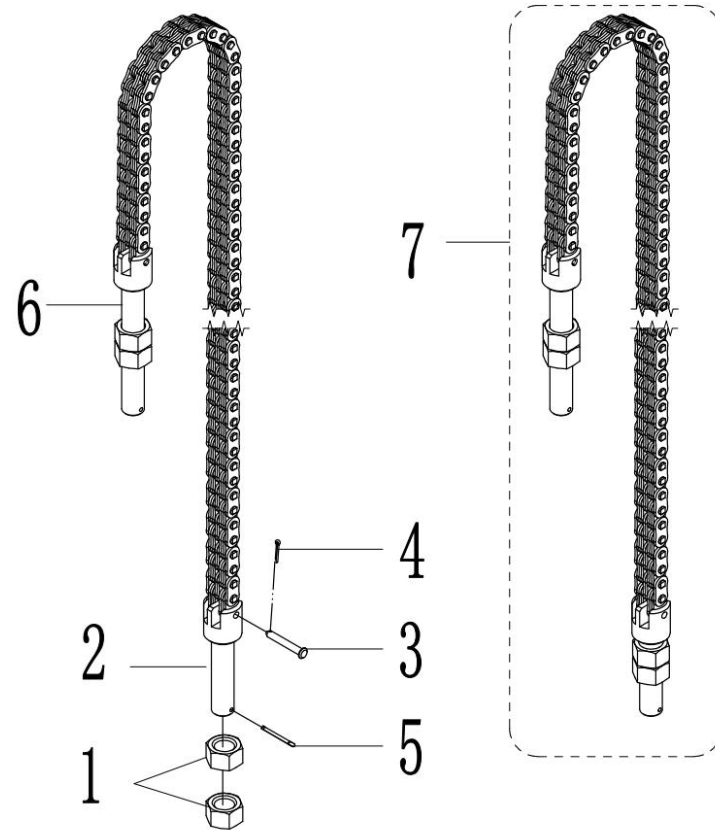
Index	Part No.	Drawing Number	Part Name	QTY	Remark
13	8Q032000020	QQA20A8225200	Inner frame 2.5 m	1	
	8Q032000021	QQA20A8230200	Inner frame 3.0 m	1	
	8Q032000022	QQA20A8237200	Inner frame 3.7 m	1	
14	22403000012	GB889.1	Lock nut M16	4	
15	22000400011	GB5783	Hexagon bolt M16 x 50	4	
16	8D21200200022	QDA20D8230100 240509	Outer frame 3.0 m	1	
	8D21200200023	QDA20D8235100 240509	Outer frame 3.5 m	1	
	8D21200200024	QDA20D8237100 240509	Outer frame 3.7 m	1	
17	72001007192	QDA20D8300002	gasket	2	
18	72004000107	QDA-05018	Door frame roller gasket	8	
19	71004000008	QDA-05017-78	roller	8	
20	22000400004	GB5783	Hexagon head bolt M12×25	2	



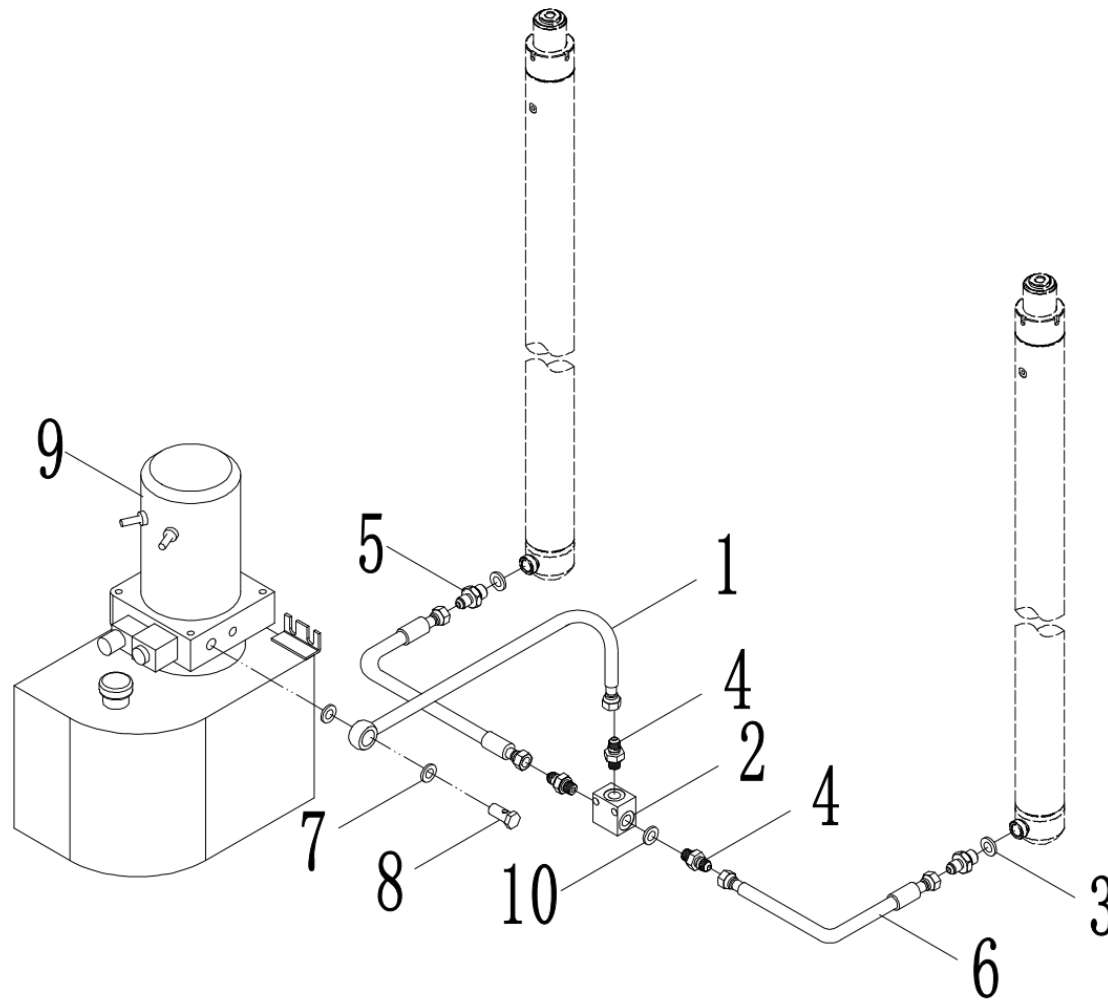
Index	Part No.	Drawing Number	Part Name	QTY	Remark
21	72002000191	BDA-00001	Fixed climb	6	
22	22000800001	GB5789	Hexagon flange bolts M6x16	6	
23	79000500036	QDB158230101H 240509	Grid 3.0 m	1	
	79000500037	QDB158235101H 240509	Grid 3.5 m	1	
	79000500038	QDB158237101H 240509	Grid 3.7 m	1	
24	22101600075	GB70.1	Hexagonal cylindrical head screw M16×50	4	
25	22501200008	GB93	Spring pad 16	4	
26	22500100010	GB97.1	Flat pad 16	4	

## Gantry System - gantry chain

Index	Part No.	Drawing Number	Part Name	QTY
1	22400600003	GB6176	Hexagon nut M16 x 1.5	4
2	72007000012	BDA-03039	Chain pull head	1
3	22801700002	GB882	Pin type B B5×35	2
4	22801600007	GB91	Cotter pin 2×12	2
5	22801600003	GB91	Cotter pin 2.5×25	2
6	72007000012	BDA-03039	Chain pull head	1
7	71004200030	GB6074	Plate chain LH0846-3.0 m 143 knots	2
	71004200031	GB6074	Plate chain LH0846-3.5m 163 knots	2
	23200300032	GB6074	Plate chain LH0846-3.7 m 171 knots	2



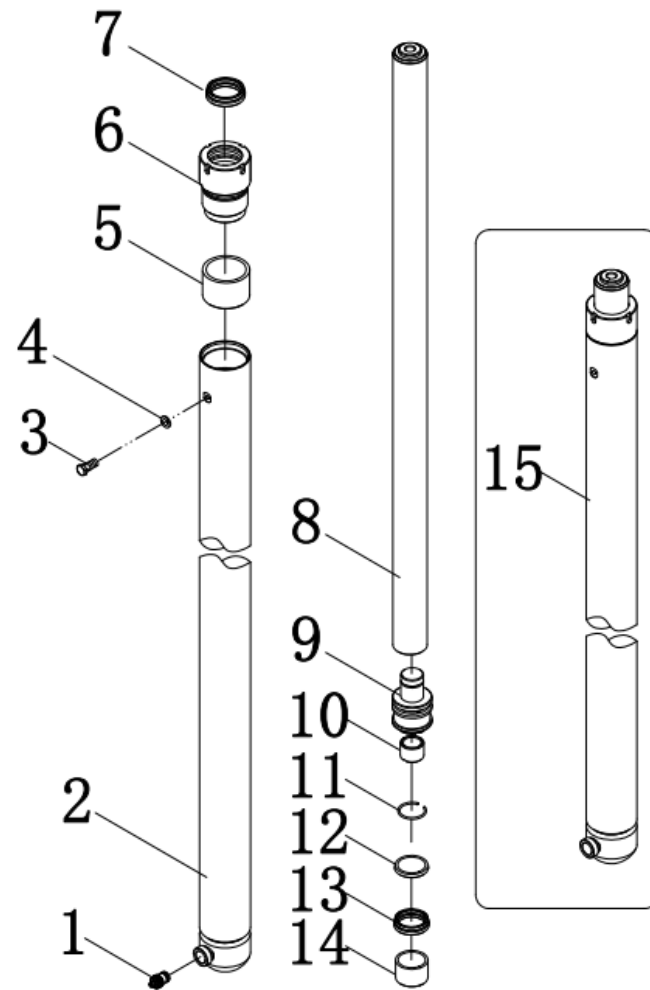
# Hydraulic system - Two stage gantry



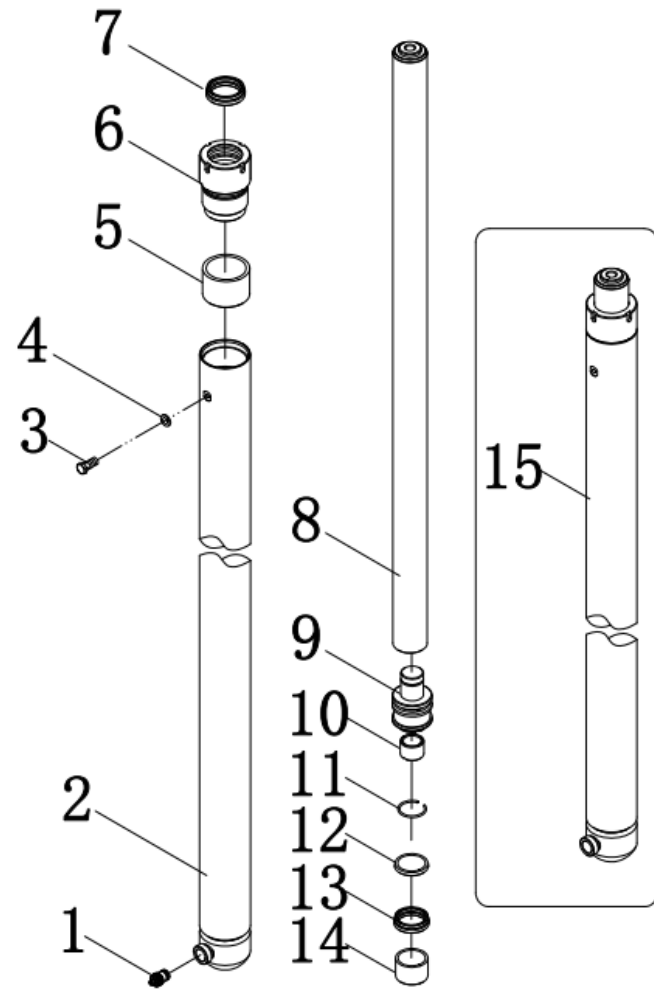
Index	Part No.	Drawing Number	Part Name	QTY	Remark
1	73004000165	QDA-31011	Hose assembly -960	1	
2	73005000013	QDA-03033	Three links	1	
3	21001100003	JB982	Combined gasket 16	2	
4	73006000044	BDA-03021	Flaring type joint	3	
5	73006000100	1QH-14-16	Connector M14 x 1.5/M16 x 1.5	2	
6	73004000166	QDA-03030	High pressure flowline	2	
7	21001100006	JB982	Combined gasket 18	2	
8	73006000019	BDA-00020	Outlet connection	1	
9	73002000005	QDA-03010A	Hydraulic station assembly 3KW	1	
10	21001100002	JB982	Combined gasket 14	3	

### Hydraulic system - Side cylinder

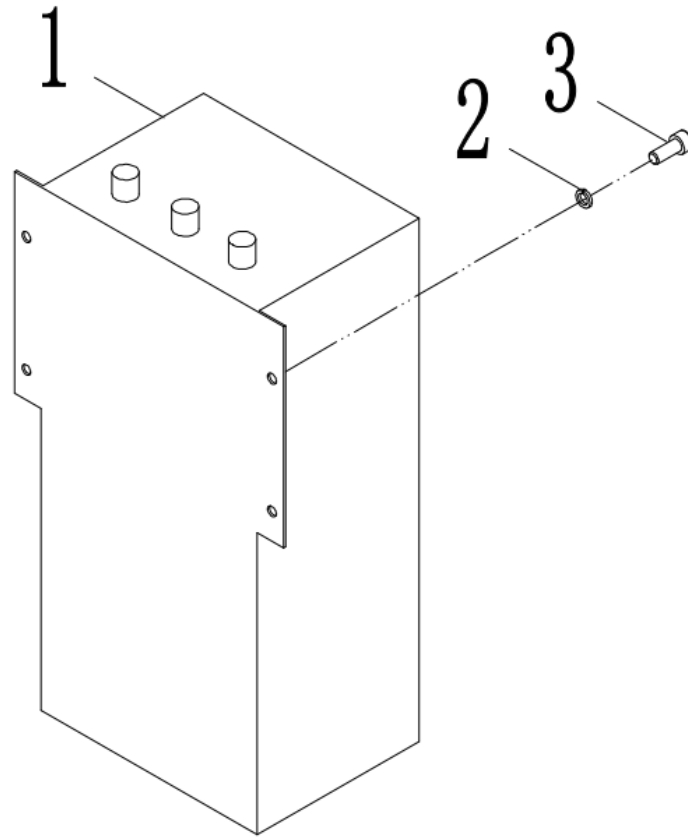
Index	Part No.	Drawing Number	Part Name	QTY
1	73005000019	BOA-03030	Explosion-proof valve assembly	1
2	8D21200200025	QDA15D8230810	Cylinder welded 3.0 m	1
	8D21200200026	QDA15D8235810	Cylinder welded 3.5 m	1
	8D21200200027	QDA15D8237810	Cylinder welded 3.7 m	1
3	7300600000100	QDA1502E1200105	Muffler (flat head type) M6x1	1
4	21001100010	JB982	Combined seal gasket 6	1
5	23100100068	SF-1-3840	Composite bushing	1
6	72003001268	QDA15D8300850	Cylinder cover	1
7	21000300005	DHS38	Dust ring 38 x 46 x 5 x 6.5	1
8	72003001273	QDA15D8230820	Piston rod 3.0 m	1
	72003001274	QDA15D8235820	Piston rod 3.5 m	1
	72003001275	QDA15D8237820	Piston rod 3.7 m	1



Index	Part No.	Drawing Number	Part Name	QTY
9	72003001272	QDA20D8300830	piston	1
10	75000100144	QDA15D8300840	Buffer sleeve	1
11	22601200013	GB895.1	Hole with wire ring 28	1
12	40000000601	QDA20D8300803	Retaining ring 35×45×2	1
13	21000400006	UHS35	Seal ring 35×45×6	1
14	21000800015	QDA15D8300802	Guide ring 40×45×14.8	1
15	73003010059	QDA20D8230800	Side cylinder 3.0 m	2
	73003010027	QDA20D8235800	Side cylinder 3.5 m	2
	73003010060	QDA20D8237800	Side cylinder 3.7 m	2



## Power system - Lithium battery



Index	Part No.	Drawing Number	Part Name	QTY	Remark
1	11009000138	QDA15EM1380500	Lithium battery 90Ah	1	
2	22501200004	GB93	Standard spring washer 8	4	
3	22101600033	GB70.1	Hexagonal cylindrical head screw M8×16	4	