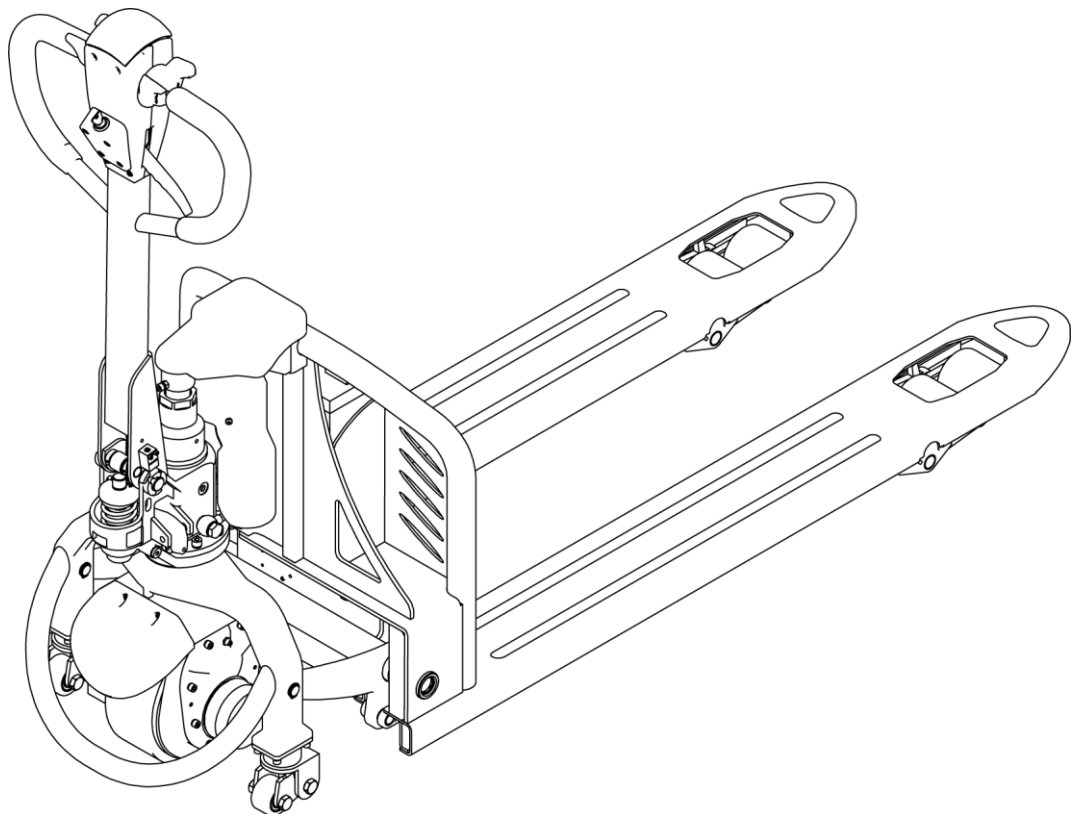




Part list

Walkie Electric Pallet truck

EP15LI

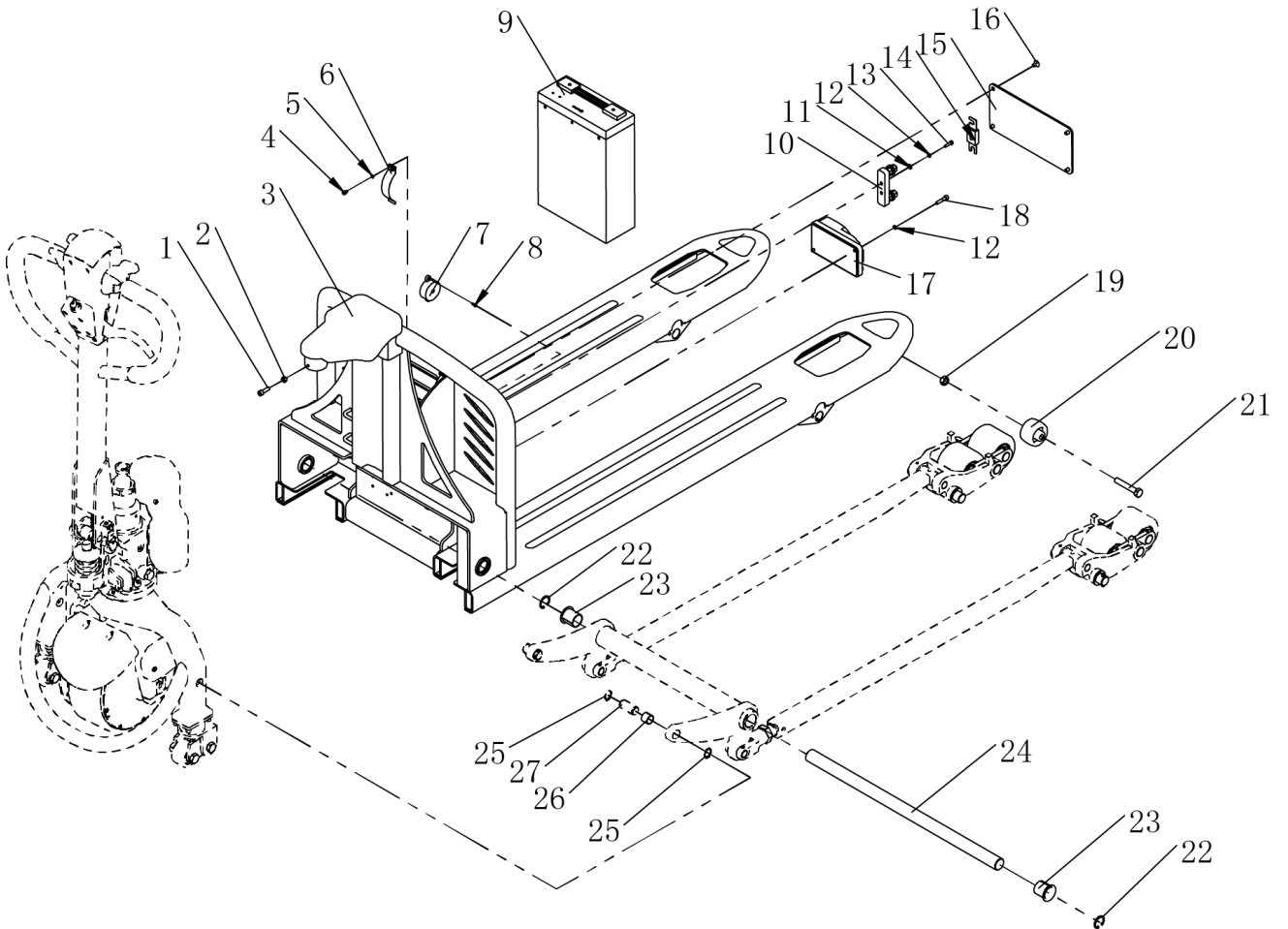


CONENTS

1.BODY SYSTEM	2
1.1BODYWORK SYSTEM	2
1.2CONNECTING ROD ROCKER ASSEMBLY	4
2.ELECTRIC SYSTEM	6
2.1 ELECTRIC DRIVE ASSEMBLY	6
3.HANDLE SYSTEM	9
4.ELECTRIC SYSTEM	11
4.1 ELECTRIC CYLINDER	11

1.Body System

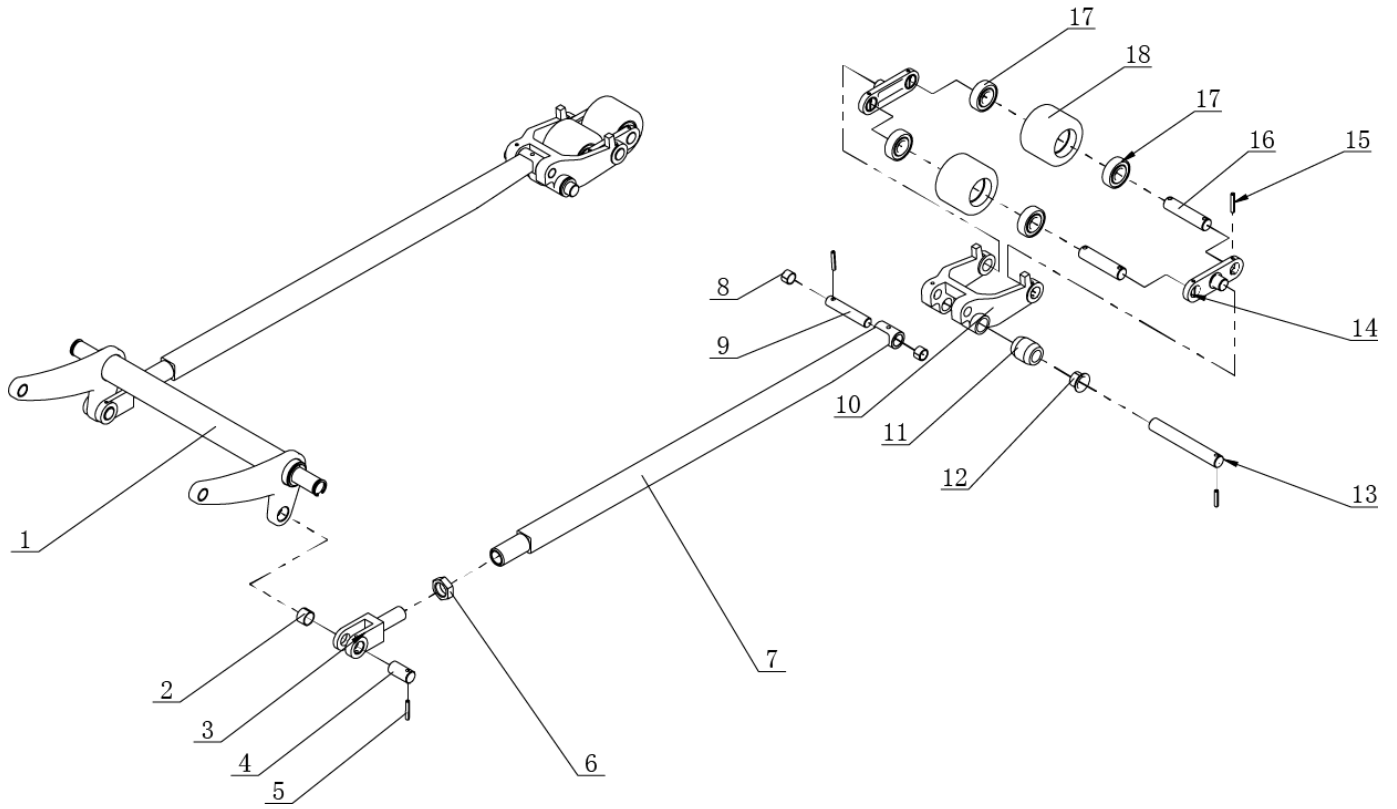
1.1Bodywork system



1.1 Bodywork system

No.	Code No.	Description	Specification	Qty.	Remark
1	GB/T 70.1-2000	Hexagon socket head cap screws	M6×20	1	
2	GB/T 6170-2000	Hexagon nut	M6	1	
3	SL10GF-03.1	Main frame welding		1	
4	GB/T 70.1-2000	Hexagon socket head cap screws	M4×6	4	
5	GB/T 93-1987	Spring Washer	Φ4	4	
6	SL10GF-01.6	Spring piece		2	
7	TY-01.6	3-24VDC Buzzer		1	
8	GB/T 818-2000	Cross recess pan head screw	M3×8	2	
9	BN2435LK	Lithium battery	24V35AH	1	
10	TY-02.32	Fuse seat		1	
11	GB/T 95-2002	Flat Washer	Φ5	2	
12	GB/T 93-1987	Spring Washer	Φ5	4	
13	GB/T 70.1-2000	Hexagon socket head cap screws	M5×16	2	
14	CNP-100A	Fuse		1	
15	SL10GF-01.4	Front sealing plate		1	
16	GB/T 70.3-2000	Hexagon socket head screw	M6×10	4	
17	1212P	Controller		1	
18	GB/T 70.1-2000	Hexagon socket head cap screws	M5×30	2	
19	GB/T 6184-2000	hexagon lock nut	M10	2	
20	SL13.01-15	Roller		2	
21	GB/T 5781-2000	Hexagon Head bolt full thread	M10×60	2	
22	GB 893.1-86	Hole circlip	Φ25	2	
23	TY-02.31	Composite set with shoulder	Φ35×Φ28×Φ25×27	4	
24	SL10GF-03.3	back shaft		1	
25	GB 894.1-86	Circlip for Shaft	Φ17	4	
26	TY-02.27	Composite set	Φ17×Φ19×15	2	
27	SL10GF-02.6	axle		2	

1.2 Connecting rod rocker assembly

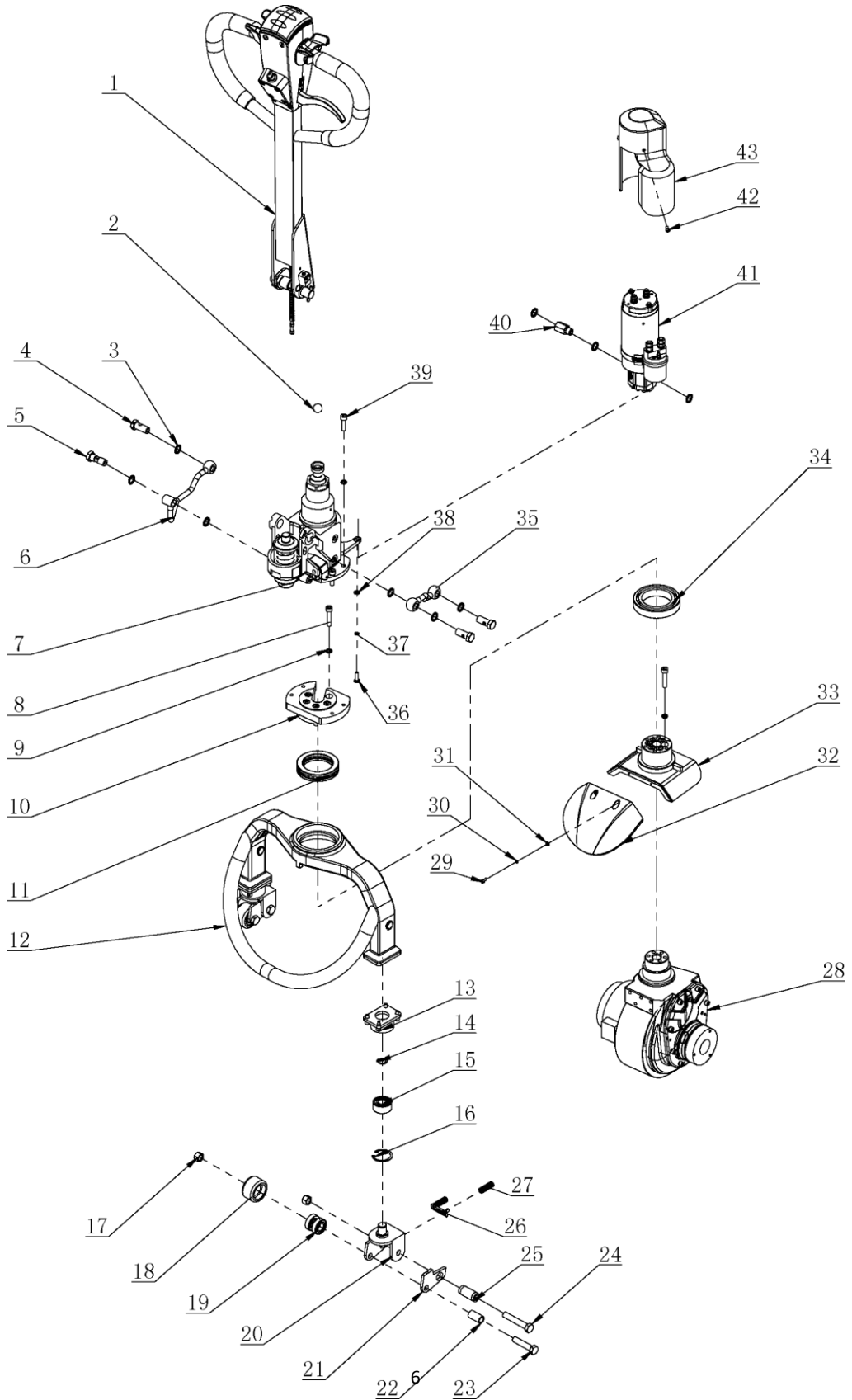


1.2 Connecting rod rocker assembly

No.	Code No.	Description	Specification	Qty.	Remark
1	SL10GF-03	Connecting rod rocker assembly		1	
2	TY-02.36	Composite set	$\Phi 16 \times \Phi 19 \times 15$	2	
3	SL15GL-02.3.2	push-rod bracket		2	
4	SL10GF-01.7	axle		2	
5	GB/T879.2-2000	Elastic cylindrical pin	$\Phi 5 \times 30$	4	
6	GB/T 6173-2000	Hexagon thin nut Fin thread	M22×1.5	2	
7	SL15GL-02.3.1	Push -rod welding		2	
8	TY-02.29	Composite set	$\Phi 16 \times \Phi 19 \times 12$	4	
9	SL13.01-13	Push-Rod mounting Shaft		2	
10	SL13.01-12	Wheel bracket			
11	SL13.01-16	Drop out Roller		2	
12	TY-02.30	Composite set with shoulder	$\Phi 31 \times \Phi 23 \times \Phi 20 \times 16$. 5	4	
13	SL13.01-09	Wheel bracket Mounting Shaft		2	
14	SL20GA-02.11	Connecting plate		4	
15	GB/T879.2-2000	Elastic cylindrical pin	$\Phi 5 \times 35$	10	
16	SL13.01-14	Bearing wheel pin shaft		4	
17	GB/T 276-94	Deep groove ball bearing	6204-2Z	8	
18	TY-02.38	Small roller	$\Phi 80 \times 60$	4	

2. Electric System

2.1 Electric Drive assembly



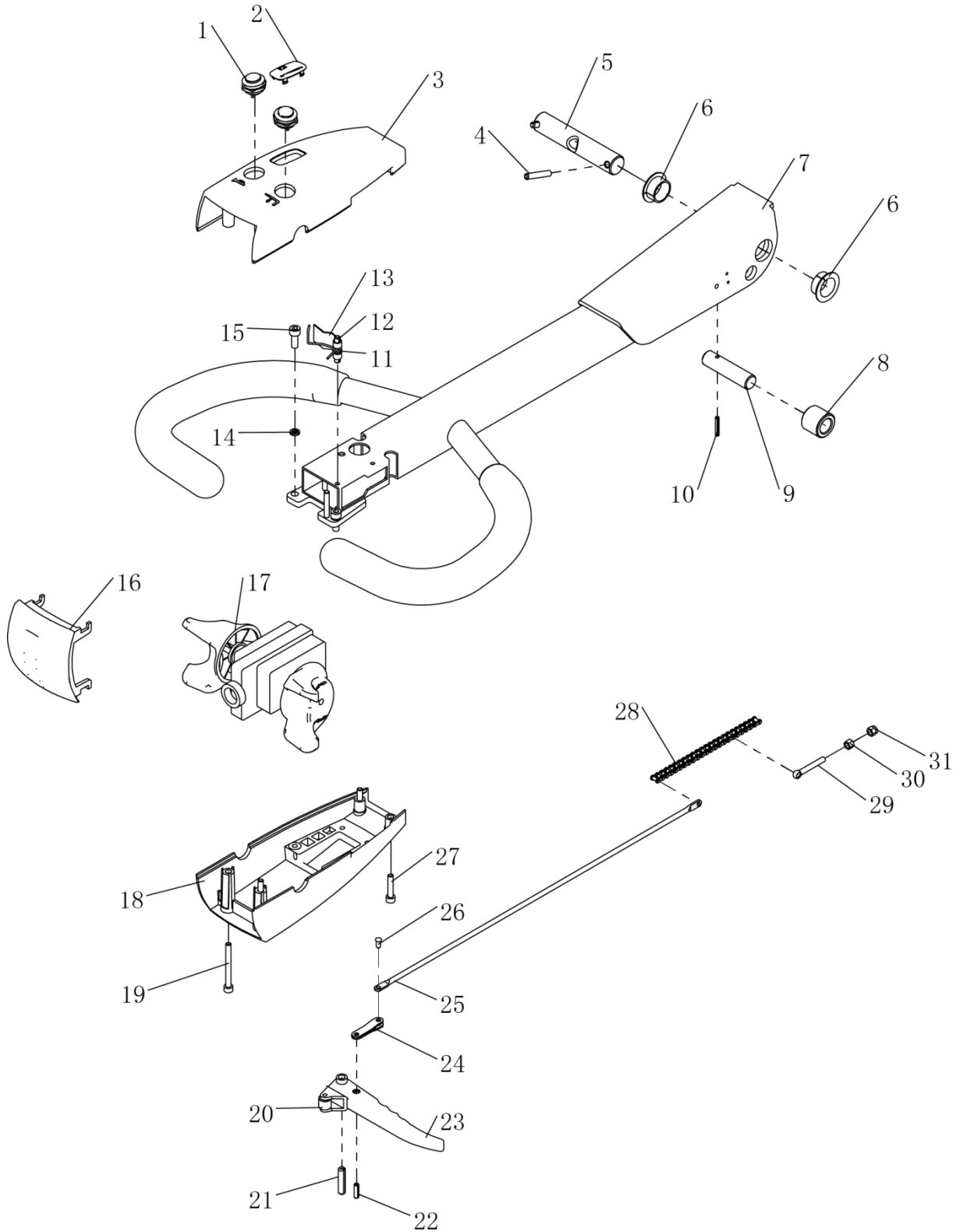
2.1 Electric Drive assembly

No.	Code No.	Description	Specification	Qty	Remark
1	SL10GF-02.2	Handle Components		1	
2	GB / T308-77	Steel ball	Φ19.05	1	
3	GB892-77	Combination gasket	Φ14	9	
4	Q1545.08-5	Hollow bolt		3	
5	SL10GF-02.14	Hollow bolt		1	
6	SL10GF-02.7	Lifting tubing		1	
7	SL10GF-02.11	Electric cylinder		1	
8	GB/T 70.1-2000	Hexagon socket head cap screws	M8×40	11	
9	GB/T 93-1987	Spring Washer	Φ8	15	
10	SL15GL-01.2	Drive clamping plate		1	
11	GB/T 301-1995	Thrust ball bearing	51113	1	
12	SL10GF-02.1	Base bracket weld		1	
13	SL13.02.10.02	Connecting plate weld		2	
14	GB894.1-86	Circlip for Shaft	Φ17	2	
15	GB/T296-94	Double row Angular contact ball bearing 3203A		2	
16	GB893.1-86	Hole circlip	Φ40	2	
17	GB/T6184-2000	Metal Hexagon locking nut	M12	4	
18	SL13.06-3	Balance wheel		2	
19	GB/T 276-94	Deep groove ball bearing	6003-2Z	4	
20	SL13.02.10.01	Bracket welding		2	
21	SL13.02.10-3	Side plate		2	
22	SL13.02.10-5	Axle sleeve		2	
23	GB/T5780-2000	Hexagon bolt	M12×55	2	
24	GB/T5780-2000	Hexagon bolt	M12×70	2	
25	SL13.02.10-4	Steel bushing		2	
26	SL13.02.10.05	Spring limit plate welding		2	
27		Damping spring	Φ2×Φ12×40	4	
28	SL13.01.5	Driving assembly		1	
29	GB/T 70.1-2000	Hexagon socket head cap screws	M4×10	2	
30	GB/T 93-1987	Spring Washer	Φ4	4	
31	GB/T 95-2002	Flat Washer	Φ4	4	
32	SL10GF-02.10	Fender		1	
33	SL15GL-01.1	Connecting welded		1	
34	GB/T 292-94	Angular contact ball bearing	7013AC	1	
35	SL10GF-02.8	Oil inlet		1	
36	GB/T 5783-2000	Hexagon bolt full thread	M6×20	2	
37	GB/T 93-1987	Spring Washer	Φ6	2	
38	GB/T 95-2002	Flat Washer	Φ6	2	

39	GB/T 70.1-2000	Hexagon socket head cap screws	M8×30	4
40		Single valve joint		1
41	DYB0.8DD4-24	Pump station	24V0.8KW	1
42	GB/T 818-2000	Cross recess pan head screw	M5×10	2
43	SL10GF-02.9	Lifting motor cover		1

3.Handle System

3.1 Handle Components

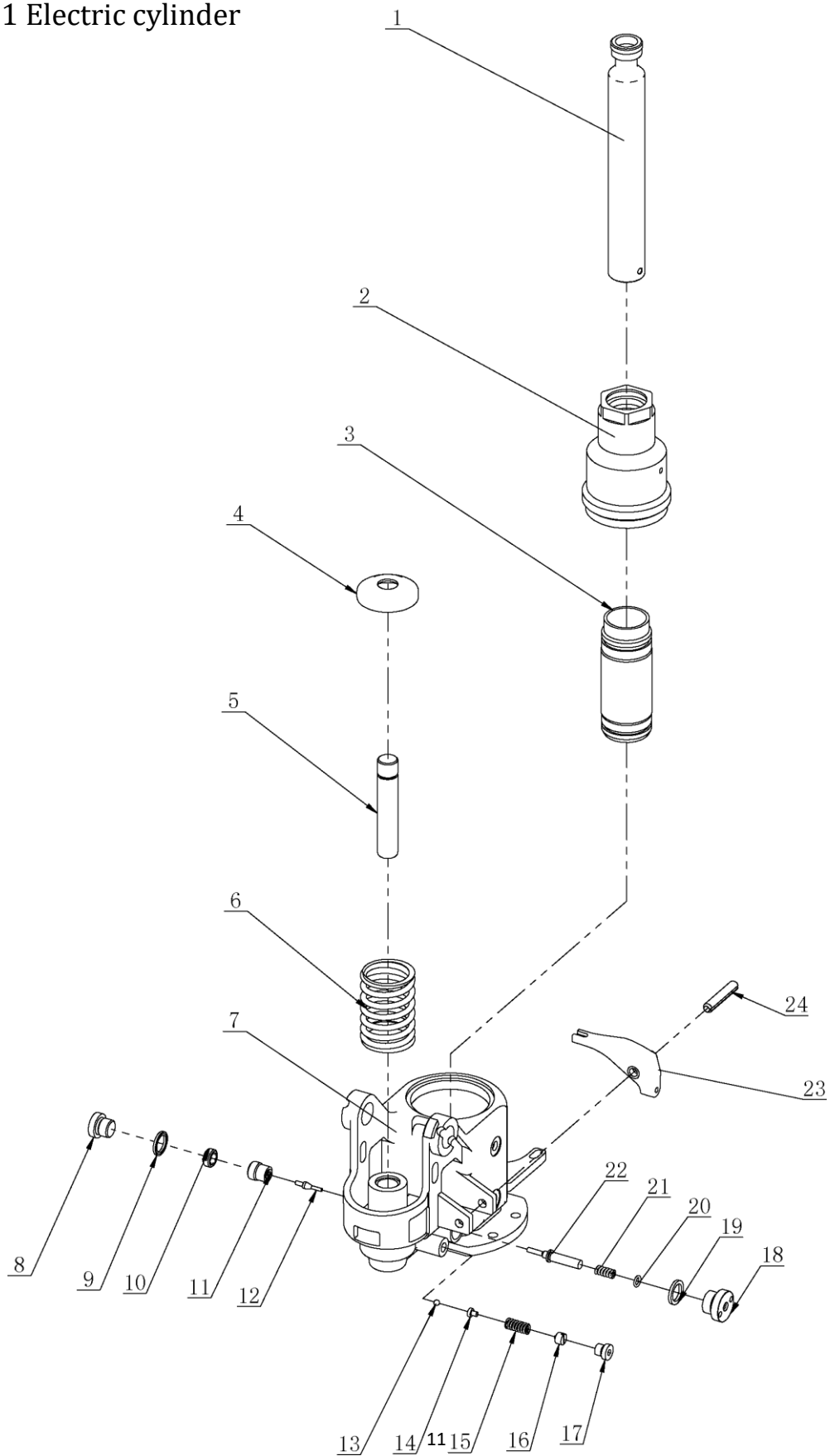


3.1 Handle Components

No.	Code No.	Description	Specification	Qty.	Remark
1	GQ19SH-10	Metal button		2	
2	TD	Electricity meter	24V	1	
3	SL10GF-02.2.2	Handle upper cover		1	
4	GB/T 879.2-2000	Elastic cylindrical pin straight flute	$\Phi 5 \times 35$	2	
5	SL10GF-02.2.13	Rotation Axis		1	
6	TY-02.6	Composite set with shoulder	$\Phi 31 \times \Phi 23 \times \Phi 20 \times 20$	2	
7	SL10GF-02.2.1	Handle welding		1	
8	SL10GF-02.2.12	Press Roller		1	
9	SL10GF-02.2.11	Shaft		1	
10	GB/T 879.1-2000	Elastic cylindrical pin straight flute	$\Phi 3 \times 22$	1	
11	SL10GF-02.2.9	Torsional spring		1	
12	GB/T 879.2-2000	Elastic cylindrical pin straight flute	$\Phi 5 \times 30$	1	
13	SL10GF-02.2.6	Card		1	
14	GB/T 93-1987	Spring Washer	$\Phi 6 \times 1.6$	2	
15	GB/T 70.1-2000	Hexagon socket head cap screws	M6 \times 16	2	
16	TD	Emergency reverse button		1	
17	TY-01.12	T600-1 DT handle		1	
18	SL10GF-02.2.3	Handle lower cover		1	
19	GB/T 70.1-2000	Hexagon socket head cap screws	M5 \times 50	2	
20	SL10GF-02.2.5	Small wheel		1	
21	GB/T 879.2-2000	Elastic cylindrical pin straight flute	$\Phi 6 \times 30$	1	
22	GB/T 879.2-2000	Elastic cylindrical pin straight flute	$\Phi 4 \times 16$	2	
23	SL10GF-02.2.4	Knob		1	
24	SL10GF-02.2.7	Connecting board		1	
25	SL10GF-02.2.8	Pull rod		1	
26	GB 882-88	Axis pin	$\Phi 4 \times 8$	1	
27	GB/T 70.1-2000	Hexagon socket head cap screws	M5 \times 25	2	
28	04C	Roller chain		1	
29	SL10GF-02.2.10	Eye bolt		1	
30	GB/T 41-2000	Hexagon nut	M5	1	
31	GB/T 889.1-2000	Hexagon lock nut	M5	1	

4. Electric System

4.1 Electric cylinder



4.1 Electric cylinder

No.	Code No.	Description	Specification	Qty.	Remark
1	XLYB-1000-10	Piston rod		1	
2	XLYB-3000-10	Pump cover		1	
3	XLYB-4000-10	cylinder tube		1	
4	XLYB-0002-3T	Spring cap		1	
5	XLYB-3000-00	plunger rod		1	
6	XLYB-0003-3T	Handle spring		1	
7	XLYB-2000-10	Pump body welded		1	
8	XLYB-2000-10	End cap		1	
9	GB982-77	Combination gasket	φ16	1	
10		Adjusting screw		1	
11	XLYB-0006-3T	Valve body		1	
12	XLYB-0007-3T	Small Valve core		1	
13	GB/T308	Steel ball	Φ5	1	
14	XLYB-0012-3T	ball base		1	
15	XLYB-0013-3T	ball base spring		1	
16	XLYB-0014-3T	Pressure adjusting screw		1	
17	GB/T 70.1-2000	Hexagon socket head cap screws	M10×9	1	
18	XLYB-0010-3T	Firing pin seat		1	
19		Washer		1	
20		Rubber seal	Φ11×1.9	1	
21	XLYB-0009-3T	Firing pin spring		1	
22	XLYB-0011-3T	Firing pin		1	
23	XLYB-6000-10	Pressure release lever		1	
24	GB/T 879.1-2000	Elastic cylindrical pin Straight flute heavy	Φ8×50	1	

The power of interpretation of this part catalogue will be preserved by the manufacturer eventually.